

AIR CONDITIONER

**Cassette type**

## SERVICE MANUAL

---

INDOOR



AUXG24KRLB  
AUXG30KRLB  
AUXG36KRLB  
AUXG45KRLB  
AUXG54KRLB

OUTDOOR



AOYG24KATA



AOYG30KATA  
AOYG36KATA



AOYG45KATA  
AOYG54KATA

**FUJITSU GENERAL LIMITED**

**Notices:**

- Product specifications and design are subject to change without notice for future improvement.
- For further details, please check with our authorized dealer.

**Trademarks**

FGLair™ is trademark of Fujitsu General Limited in the United States, other countries or both.

Google Play™ is trademark of Google Inc.

App Store® is a service mark of Apple Inc., registered in the U.S. and other countries.

# CONTENTS

## 1. GENERAL INFORMATION

## 2. TECHNICAL DATA AND PARTS LIST



## **1. GENERAL INFORMATION**

# CONTENTS

## 1. GENERAL INFORMATION

|                                |             |
|--------------------------------|-------------|
| <b>1. Specifications</b> ..... | <b>01-1</b> |
| 1-1. Indoor unit .....         | 01-1        |
| 1-2. Outdoor unit.....         | 01-5        |
| <b>2. Dimensions</b> .....     | <b>01-8</b> |
| 2-1. Indoor unit .....         | 01-8        |
| 2-2. Outdoor unit.....         | 01-12       |

# 1. Specifications

## 1-1. Indoor unit

| Type                         |                        |            |                                | Cassette  |  |   |              |
|------------------------------|------------------------|------------|--------------------------------|---|--|---|--------------|
|                              |                        |            |                                | Inverter heat pump  |  |   |              |
| Model name                   |                        |            |                                | AUXG24KRLB  | AUXG30KRLB   | AUXG36KRLB  |              |
| Power supply                 |                        |            |                                | 230 V ~ 50 Hz   |  |   |              |
| Power supply intake          |                        |            |                                | Outdoor unit  |  |   |              |
| Available voltage range      |                        |            |                                | 198—264 V   |  |   |              |
| Capacity                     | Cooling                | Rated      | kW                             | 6.8   | 8.5  | 9.5   |              |
|                              |                        |            | Btu/h                          | 23,200  | 29,000   | 32,400  |              |
|                              |                        | Min.—Max.  | kW                             | 0.9—7.4   | 2.8—9.6  | 2.8—10.6  |              |
|                              | Heating                | Rated      | Btu/h                          | 3,100—25,200  | 9,600—32,700   | 9,600—36,100  |              |
|                              |                        |            | kW                             | 7.5   | 10.0   | 10.8  |              |
|                              |                        | Min.—Max.  | kW                             | 0.9—8.6   | 2.7—10.8   | 2.7—12.5  |              |
|                              |                        |            |                                | Btu/h   | 3,100—29,300   | 9,200—36,800  | 9,200—42,600 |
| Input power                  | Cooling                | Rated      | kW                             | 2.12  | 2.56   | 3.06  |              |
|                              |                        |            |                                | Max.  | 2.60   | 3.53  | 4.19         |
|                              | Heating                | Rated      | 1.97                           | 2.64  | 2.58   |   |              |
|                              |                        |            | Max.                           | 2.58  | 4.17   | 4.48  |              |
| Current                      | Cooling                | Rated      | A                              | 9.3   | 11.3   | 13.6  |              |
|                              | Heating                |            |                                | 8.7   | 11.7   | 11.4  |              |
| Power factor                 | Cooling                |            |                                | 98.6  | 98.2   | 98.0  |              |
|                              | Heating                |            |                                | 98.9  | 98.2   | 98.0  |              |
| EER                          | Cooling                |            |                                | 3.21  | 3.32   | 3.10  |              |
| COP                          | Heating                |            |                                | 3.81  | 3.79   | 4.19  |              |
| Moisture removal             |                        |            | L/h (pints/h)                  | 2.7 (4.8)   | 2.5 (4.4)  | 3.3 (5.8)   |              |
| Maximum operating current *1 | Cooling                |            |                                | 12.6  | 22.5   |   |              |
|                              | Heating                |            |                                | 12.6  | 22.5   |   |              |
| Fan                          | Airflow rate           | Cooling    | m <sup>3</sup> /h              | HIGH  | 1,150  | 1,600   | 1,870        |
|                              |                        |            |                                | MED   | 1,050  | 1,400   | 1,560        |
|                              |                        |            |                                | LOW   | 980  | 1,270   | 1,410        |
|                              |                        |            |                                | QUIET   | 870  | 1,150   | 1,160        |
|                              |                        | Heating    | HIGH                           | 1,150   | 1,600  | 1,870   |              |
|                              |                        |            | MED                            | 1,050   | 1,400  | 1,560   |              |
|                              |                        |            | LOW                            | 980   | 1,270  | 1,410   |              |
|                              |                        |            | QUIET                          | 870   | 1,150  | 1,160   |              |
|                              | Type × Qty             |            |                                | Turbo fan × 1   |  |   |              |
|                              | Motor output           |            |                                | W   | 81   |   |              |
| Sound pressure level *2      | Cooling                | dB (A)     | HIGH                           | 35  | 40   | 44  |              |
|                              |                        |            | MED                            | 33  | 38   | 41  |              |
|                              |                        |            | LOW                            | 32  | 36   | 38  |              |
|                              |                        |            | QUIET                          | 29  | 33   | 34  |              |
|                              | Heating                | HIGH       | 35                             | 40  | 44   |   |              |
|                              |                        | MED        | 33                             | 38  | 41   |   |              |
|                              |                        | LOW        | 32                             | 36  | 38   |   |              |
|                              |                        | QUIET      | 29                             | 33  | 34   |   |              |
| Heat exchanger type          | Dimensions (H × W × D) |            | mm                             | Main1: 210 × 2,127 × 13.3<br>Main2: 210 × 2,061 × 13.3                      | Main1: 252 × 2,127 × 13.3<br>Main2: 252 × 2,061 × 13.3 | Main1: 252 × 2,131 × 13.3<br>Main2: 252 × 2,064 × 13.3<br>Main3: 252 × 1,999 × 13.3 |              |
|                              | Fin pitch              |            |                                | Main1: 1.2<br>Main2: 1.2  |  | Main1: 1.3<br>Main2: 1.3<br>Main3: 1.3  |              |
|                              | Rows × Stages          |            | Main1: 1 × 10<br>Main2: 1 × 10 |   | Main1: 1 × 12<br>Main2: 1 × 12                         | Main1: 1 × 12<br>Main2: 1 × 12<br>Main3: 1 × 12                                     |              |
|                              | Pipe type              |            | Copper tube                    |   |  |   |              |
|                              | Fin type               |            | Aluminum                       |   |  |   |              |
| Dimensions (H × W × D)       | Net                    |            | mm                             | 246 × 840 × 840   | 288 × 840 × 840  |   |              |
|                              | Gross                  |            |                                | 298 × 960 × 950   | 340 × 960 × 950  |   |              |
| Weight                       | Net                    |            | kg                             | 24  | 26   | 29  |              |
|                              | Gross                  |            |                                | 29  | 32   | 34  |              |
| Connection pipe              | Size                   | Liquid     | mm (in)                        | Ø 6.35 (Ø 1/4)  | Ø 9.52 (Ø 3/8)   |   |              |
|                              |                        | Gas        |                                | Ø 12.70 (Ø 1/2)   | Ø 15.88 (Ø 5/8)  |   |              |
| Method                       |                        | Flare      |                                |   |  |   |              |
| Material                     |                        | PVC        |                                |   |  |   |              |
| Drain hose                   | Size                   |            | mm                             |   |  | Ø 25 (I.D.), Ø 32 (O.D.)  |              |
|                              | Cooling                | °C         | 18 to 32                       |   |  |   |              |
| %RH                          |                        | 80 or less |                                |   |  |   |              |
| Operation range              | Heating                | °C         | 16 to 30                       |   |  |   |              |
|                              |                        | Model name |                                |   |  |   |              |
| Cassette grille (Option)     | Material               |            |                                | UTG-UKYC-W  |  |   |              |
|                              | Color                  |            |                                | Polystyrene   |  |   |              |
|                              |                        |            |                                | White   |  |   |              |
|                              |                        |            |                                | Approximate color of Munsell N 9.25/  |  |   |              |
|                              | Dimensions (H × W × D) | Net        | mm                             | 53 × 950 × 950  |  |   |              |
|                              |                        |            |                                | Gross   | 110 × 1,000 × 1,010                                    |   |              |
| Weight                       | Net                    | 6.0        |                                |   |  |   |              |
|                              | Gross                  | 10.0       |                                |   |  |   |              |
| Remote control (Option)      |                        |            |                                | Wired remote controller, Wireless remote controller, Mobile app*3 (FGLair™) |  |   |              |

| Type  | Cassette           |            |            |
|---|--------------------|------------|------------|
|   | Inverter heat pump |            |            |
| Model name  | AUXG24KRLB         | AUXG30KRLB | AUXG36KRLB |
| <p><b>NOTES:</b></p> <ul style="list-style-type: none"> <li>• Specifications are based on the following conditions: <ul style="list-style-type: none"> <li>– Cooling: Indoor temperature of 27 °CDB/19 °CWB, and outdoor temperature of 35 °CDB/24 °CWB.</li> <li>– Heating: Indoor temperature of 20 °CDB/15 °CWB, and outdoor temperature of 7 °CDB/6 °CWB.</li> <li>– Pipe length: 5.0 m, Height difference: 0 m. (Between outdoor unit and indoor unit.)</li> </ul> </li> <li>• Protective function might work when using it outside the operation range.</li> <li>• *1: Maximum operating current is the total current of the indoor unit and the outdoor unit.</li> <li>• *2: Sound pressure level: <ul style="list-style-type: none"> <li>– Measured values in manufacturer's anechoic chamber.</li> <li>– Because of the surrounding sound environment, the sound levels measured in actual installation conditions might be higher than the specified values here.</li> </ul> </li> <li>• *3: Available on Google Play™ store or on App Store®. Optional WLAN adapter is also required. For details, refer to the setting manual.</li> </ul> |                    |            |            |



| Specifications for ErP Lot10 |                   |            |             |             |             |
|------------------------------|-------------------|------------|-------------|-------------|-------------|
| Model name                   |                   | AUXG24KRLB |             | AUXG30KRLB  | AUXG36KRLB  |
| Energy efficiency class      | Cooling           | A++        |             |             |             |
|                              | Heating (Average) | A+         |             |             |             |
| Pdesign                      | Cooling           | kW         | 6.8 (35°C)  | 8.5 (35°C)  | 9.5 (35°C)  |
|                              | Heating (Average) |            | 5.4 (-10°C) | 8.0 (-10°C) | 8.7 (-10°C) |
| SEER                         | Cooling           | kWh/kWh    | 6.10        |             |             |
| SCOP                         | Heating (Average) |            | 4.00        |             |             |
| Annual energy consumption    | QCE               | kWh/a      | 390         | 488         | 545         |
|                              | QHE (Average)     |            | 1,887       | 2,794       | 3,044       |
| Sound power level            | Cooling           | HIGH       | dB (A)      | 49          | 54          |
|                              | Heating           |            |             | 49          | 54          |

| Type                         |              |           |                         | Cassette  |  |   |  |
|------------------------------|--------------|-----------|-------------------------|---|--|---|--|
|                              |              |           |                         | Inverter heat pump  |  |   |  |
| Model name                   |              |           |                         | AUXG45KRLB  | AUXG54KRLB                             |   |  |
| Power supply                 |              |           |                         | 230 V ~ 50 Hz   |  |   |  |
| Power supply intake          |              |           |                         | Outdoor unit  |  |   |  |
| Available voltage range      |              |           |                         | 198—264 V   |  |   |  |
| Capacity                     | Cooling      | Rated     | kW                      | 12.1  | 13.4                                   |   |  |
|                              |              | Min.—Max. | Btu/h                   | 41,300  | 45,700                                 |   |  |
|                              |              |           | kW                      | 4.00—12.60  | 4.50—13.80                             |   |  |
|                              | Heating      | Min.—Max. | Btu/h                   | 13,600—43,000   | 15,400—47,100                          |   |  |
|                              |              |           | kW                      | 13.5  | 15.5                                   |   |  |
|                              |              | Rated     | Btu/h                   | 46,000  | 52,900                                 |   |  |
| Input power                  | Cooling      | Rated     | kW                      | 4.32  | 4.87                                   |   |  |
|                              |              |           | Max.                    | 5.00  | 5.23                                   |   |  |
|                              |              | Heating   | Rated                   | kW  | 3.77                                   | 4.86  |  |
|                              | Max.         |           |                         | 4.69  | 4.77                                   |   |  |
|                              | Heating      |           | Rated                   | A   | 18.8                                   | 21.4  |  |
|                              |              | Heating   | Rated                   | A   | 16.6                                   | 21.3  |  |
| Power factor                 |              |           | %                       | 99.7  | 99.0                                   |   |  |
| EER                          |              |           | kW/kW                   | 2.80  | 2.75                                   |   |  |
| COP                          |              |           | kW/kW                   | 3.58  | 3.19                                   |   |  |
| Moisture removal             |              |           | L/h (pints/h)           | 4.5 (7.9)   | 5.0 (8.8)                              |   |  |
| Maximum operating current *1 |              |           | A                       | Cooling   | 28.1                                   |   |  |
|                              |              |           |                         | Heating   | 28.1                                   |   |  |
| Fan                          | Airflow rate | Cooling   | HIGH                    | 2,000   | 2,100                                  |   |  |
|                              |              |           | MED                     | 1,650   | 1,780                                  |   |  |
|                              |              |           | LOW                     | 1,460   | 1,600                                  |   |  |
|                              |              |           | QUIET                   | 1,300   | 1,320                                  |   |  |
|                              |              | Heating   | HIGH                    | 2,000   | 2,100                                  |   |  |
|                              |              |           | MED                     | 1,650   | 1,780                                  |   |  |
|                              |              |           | LOW                     | 1,460   | 1,600                                  |   |  |
|                              |              |           | QUIET                   | 1,300   | 1,320                                  |   |  |
|                              | Type × Q'ty  |           |                         | Turbo fan × 1   |  |   |  |
|                              | Motor output |           |                         | W   | 81                                     |   |  |
| Sound pressure level *2      |              |           | Cooling                 | HIGH  | 46                                     | 47  |  |
|                              |              |           |                         | MED   | 42                                     | 43  |  |
|                              |              |           |                         | LOW   | 39                                     | 40  |  |
|                              |              |           |                         | QUIET   | 35                                     | 36  |  |
|                              |              |           | Heating                 | HIGH  | 46                                     | 47  |  |
|                              |              |           |                         | MED   | 42                                     | 43  |  |
|                              |              |           |                         | LOW   | 39                                     | 40  |  |
|                              |              |           |                         | QUIET   | 35                                     | 36  |  |
| Heat exchanger type          |              |           | Dimensions (H × W × D)  | Main1: 252 × 2,131 × 13.3<br>Main2: 252 × 2,064 × 13.3<br>Main3: 252 × 1,999 × 13.3 |  |   |  |
|                              |              |           |                         | Fin pitch   | Main1: 1.3<br>Main2: 1.3<br>Main3: 1.3 |   |  |
|                              |              |           | Rows × Stages           |   |  | Main1: 1 × 12<br>Main2: 1 × 12<br>Main3: 1 × 12                             |  |
|                              |              |           | Pipe type               |   |  | Copper tube   |  |
|                              |              |           | Fin type                |   |  | Aluminum  |  |
|                              |              |           | Dimensions (H × W × D)  |   |  | Net<br>Gross  |  |
| Weight                       |              |           | Net<br>Gross            |   |  |   |  |
| Connection pipe              |              |           | Size<br>Liquid<br>Gas   |   |  |   |  |
| Drain hose                   |              |           | Method<br>Material      |   |  |   |  |
| Operation range              |              |           | Size<br>°C<br>%RH<br>°C |   |  |   |  |
| Cassette grille (Option)     |              |           | Model name              |   |  |   |  |
|                              |              |           | Material                |   |  | Polystyrene   |  |
|                              |              |           | Color                   |   |  | White<br>Approximate color of Munsell N 9.25/                               |  |
|                              |              |           | Dimensions (H × W × D)  |   |  | Net<br>Gross  |  |
|                              |              |           | Weight                  |   |  | Net<br>Gross  |  |
|                              |              |           | Remote control (Option) |   |  | Wired remote controller, Wireless remote controller, Mobile app*3 (FGLair™) |  |

## NOTES:

- Specifications are based on the following conditions:
  - Cooling: Indoor temperature of 27 °CDB/19 °CWB, and outdoor temperature of 35 °CDB/24 °CWB.
  - Heating: Indoor temperature of 20 °CDB/15 °CWB, and outdoor temperature of 7 °CDB/6 °CWB.
  - Pipe length: 5.0 m, Height difference: 0 m. (Between outdoor unit and indoor unit.)
- Protective function might work when using it outside the operation range.
- \*1: Maximum operating current is the total current of the indoor unit and the outdoor unit.
- \*2: Sound pressure level:
  - Measured values in manufacturer's anechoic chamber.
  - Because of the surrounding sound environment, the sound levels measured in actual installation conditions might be higher than the specified values here.
- \*3: Available on Google Play™ store or on App Store®. Optional WLAN adapter is also required. For details, refer to the setting manual.

# 1-2. Outdoor unit

| Type                    |              |                                 |                   | Inverter heat pump                                   |                                       |
|-------------------------|--------------|---------------------------------|-------------------|--|---------------------------------------|
| Model name              |              |                                 |                   | AOYG24KATA   |                                       |
| Power supply            |              |                                 |                   | 230 V ~ 50 Hz  |                                       |
| Power supply intake     |              |                                 |                   | Outdoor unit   |                                       |
| Available voltage range |              |                                 |                   | 198–264 V  |                                       |
| Starting current        |              |                                 | A                 | 9.7  |                                       |
| Fan                     | Airflow rate | Cooling                         | m <sup>3</sup> /h | 2,885  |                                       |
|                         |              | Heating                         |                   | 2,350  |                                       |
|                         | Type × Q'ty  |                                 |                   | Propeller × 1  |                                       |
|                         | Motor output |                                 | W                 | 49   |                                       |
| Sound pressure level *1 |              | Cooling                         | dB (A)            | 54   |                                       |
|                         |              | Heating                         |                   | 55   |                                       |
| Sound power level       |              | Cooling                         | dB (A)            | 66   |                                       |
|                         |              | Heating                         |                   | 67   |                                       |
| Heat exchanger type     |              | Dimensions (H × W × D)          | mm                | Main1: 588 × 881 × 18.19<br>Main2: 588 × 851 × 18.19 |                                       |
|                         |              | Fin pitch                       |                   | Main1: 1.3<br>Main2: 1.3                             |                                       |
|                         |              | Rows × Stages                   |                   | Main1: 1 × 28<br>Main2: 1 × 28                       |                                       |
|                         |              | Pipe type                       |                   | Copper   |                                       |
|                         |              | Fin                             | Type (Material)   | Aluminum   |                                       |
|                         |              |                                 | Surface treatment | PC fin   |                                       |
| Compressor              | Type × Q'ty  |                                 |                   | DC Twin rotary × 1                                   |                                       |
|                         | Motor output |                                 | W                 | 1,060  |                                       |
| Refrigerant             |              | Type (Global warming potential) |                   | R32 (675)  |                                       |
|                         |              | Factory charge                  | g                 | 1,250  |                                       |
| Refrigerant oil         |              | Type                            |                   | RmM68AF  |                                       |
|                         |              | Amount                          | cm <sup>3</sup>   | 400  |                                       |
| Enclosure               |              | Material                        |                   | Steel sheet  |                                       |
|                         |              | Color                           |                   | Beige<br>Approximate color of Munsell 10YR 7.5/1.0   |                                       |
| Dimensions (H × W × D)  |              | Net                             |                   | mm   |                                       |
|                         |              | Gross                           |                   |  | 632 × 799 × 290<br>692 × 940 × 375    |
| Weight                  |              | Net                             |                   | kg   |                                       |
|                         |              | Gross                           |                   |  | 38<br>42                              |
| Connection pipe         |              | Size                            | Liquid            | mm (in)  |                                       |
|                         |              |                                 | Gas               |  | Ø 6.35 (Ø 1/4)<br>Ø 12.70 (Ø 1/2)     |
|                         |              | Method                          |                   | Flare  |                                       |
|                         |              | Pre-charge length               |                   | m  | 20                                    |
|                         |              | Max. length                     |                   |  | 25                                    |
|                         |              | Max. height difference          |                   |  | 20                                    |
| Operation range         |              | Cooling                         | °C                | -10 to 46  |                                       |
|                         |              | Heating                         |                   | -15 to 24  |                                       |
| Drain hose              |              | Material                        |                   | PP   |                                       |
|                         |              | Size                            |                   | mm   | Ø13.0 (I. D.), Ø16.0 to Ø16.8 (O. D.) |

**NOTES:**

- Specifications are based on the following conditions:
  - Cooling: Indoor temperature of 27 °CDB/19 °CWB, and outdoor temperature of 35 °CDB/24 °CWB.
  - Heating: Indoor temperature of 20 °CDB/15 °CWB, and outdoor temperature of 7 °CDB/6 °CWB.
  - Pipe length: 5.0 m, Height difference: 0 m. (Between outdoor unit and indoor unit.)
- Protective function might work when using it outside the operation range.
- \*1: Sound pressure level
  - Measured values in manufacturer's anechoic chamber.
  - Because of the surrounding sound environment, the sound levels measured in actual installation conditions might be higher than the specified values here.

| Type  |                                 |                   |                   | Inverter heat pump                                   |  |            |  |
|---|---------------------------------|-------------------|-------------------|--|--|------------|--|
| Model name  |                                 |                   |                   | AOYG30KATA   |  | AOYG36KATA |  |
| Power supply  |                                 |                   |                   | 230 V ~ 50 Hz  |  |            |  |
| Power supply intake   |                                 |                   |                   | Outdoor unit   |  |            |  |
| Available voltage range   |                                 |                   |                   | 198–264 V  |  |            |  |
| Starting current  |                                 |                   |                   | 12.3   |  | 13.8       |  |
| Fan   | Airflow rate                    | Cooling           | m <sup>3</sup> /h | 3,750  |  |            |  |
|   |                                 | Heating           |                   | 3,750  |  |            |  |
|   | Type × Q'ty                     |                   |                   | Propeller × 1  |  |            |  |
|   | Motor output                    |                   |                   | W<br>100   |  |            |  |
| Sound pressure level *1   | Cooling                         | Heating           | dB (A)            | 53   |  | 55         |  |
|   |                                 |                   |                   | 55   |  | 70         |  |
| Sound power level   | Cooling                         | Heating           | dB (A)            | 68   |  | 70         |  |
|   |                                 |                   |                   | 69   |  | 70         |  |
| Heat exchanger type   | Dimensions (H × W × D)          |                   | mm                | Main1: 756 × 905 × 18.19<br>Main2: 756 × 905 × 18.19 |  |            |  |
|   | Fin pitch                       |                   |                   | Main1: 1.45<br>Main2: 1.45                           |  |            |  |
|   | Rows × Stages                   |                   |                   | Main1: 1 × 36<br>Main2: 1 × 36                       |  |            |  |
|   | Pipe type                       |                   |                   | Copper   |  |            |  |
|   | Fin                             | Type (Material)   |                   | Aluminum   |  |            |  |
|   |                                 | Surface treatment |                   | Blue fin   |  |            |  |
| Compressor  | Type × Q'ty                     |                   |                   | DC Twin rotary × 1                                   |  |            |  |
|   | Motor output                    |                   |                   | W<br>1,500   |  |            |  |
| Refrigerant   | Type (Global warming potential) |                   |                   | R32 (675)  |  |            |  |
|   | Factory charge                  |                   |                   | g<br>1,900   |  |            |  |
| Refrigerant oil   | Type                            |                   |                   | FW68D  |  |            |  |
|   | Amount                          |                   |                   | cm <sup>3</sup><br>600                               |  |            |  |
| Enclosure   | Material                        |                   |                   | Steel sheet  |  |            |  |
|   | Color                           |                   |                   | Beige<br>Approximate color of Munsell 10YR 7.5/1.0   |  |            |  |
| Dimensions (H × W × D)  | Net                             |                   | mm                | 788 × 940 × 320                                      |  |            |  |
|   | Gross                           |                   |                   | 966 × 1,027 × 445                                    |  |            |  |
| Weight  | Net                             |                   | kg                | 52   |  |            |  |
|   | Gross                           |                   |                   | 61   |  |            |  |
| Connection pipe   | Size                            | Liquid            | mm (in)           | Ø 9.52 (Ø 3/8)                                       |  |            |  |
|   |                                 | Gas               |                   | Ø 15.88 (Ø 5/8)                                      |  |            |  |
|   | Method                          |                   |                   | Flare  |  |            |  |
|   | Pre-charge length               |                   |                   | 30   |  |            |  |
|   | Max. length                     |                   |                   | 30   |  |            |  |
| Max. height difference  |                                 |                   | 30                |  |  |            |  |
| Operation range   | Cooling                         | Heating           | °C                | -10 to 46  |  |            |  |
|   |                                 |                   |                   | -15 to 24  |  |            |  |
| Drain hose  | Material                        |                   |                   | LDPE   |  |            |  |
|   | Size                            |                   |                   | mm<br>Ø 13.0 (I. D.), Ø 16.0 to Ø 16.7 (O. D.)       |  |            |  |
| <b>NOTES:</b>   |                                 |                   |                   |  |  |            |  |
| <ul style="list-style-type: none"> <li>• Specifications are based on the following conditions: <ul style="list-style-type: none"> <li>– Cooling: Indoor temperature of 27 °CDB/19 °CWB, and outdoor temperature of 35 °CDB/24 °CWB.</li> <li>– Heating: Indoor temperature of 20 °CDB/15 °CWB, and outdoor temperature of 7 °CDB/6 °CWB.</li> <li>– Pipe length: 5.0 m, Height difference: 0 m. (Between outdoor unit and indoor unit.)</li> </ul> </li> <li>• Protective function might work when using it outside the operation range.</li> <li>• *1: Sound pressure level <ul style="list-style-type: none"> <li>– Measured values in manufacturer's anechoic chamber.</li> <li>– Because of the surrounding sound environment, the sound levels measured in actual installation conditions might be higher than the specified values here.</li> </ul> </li> </ul> |                                 |                   |                   |  |  |            |  |

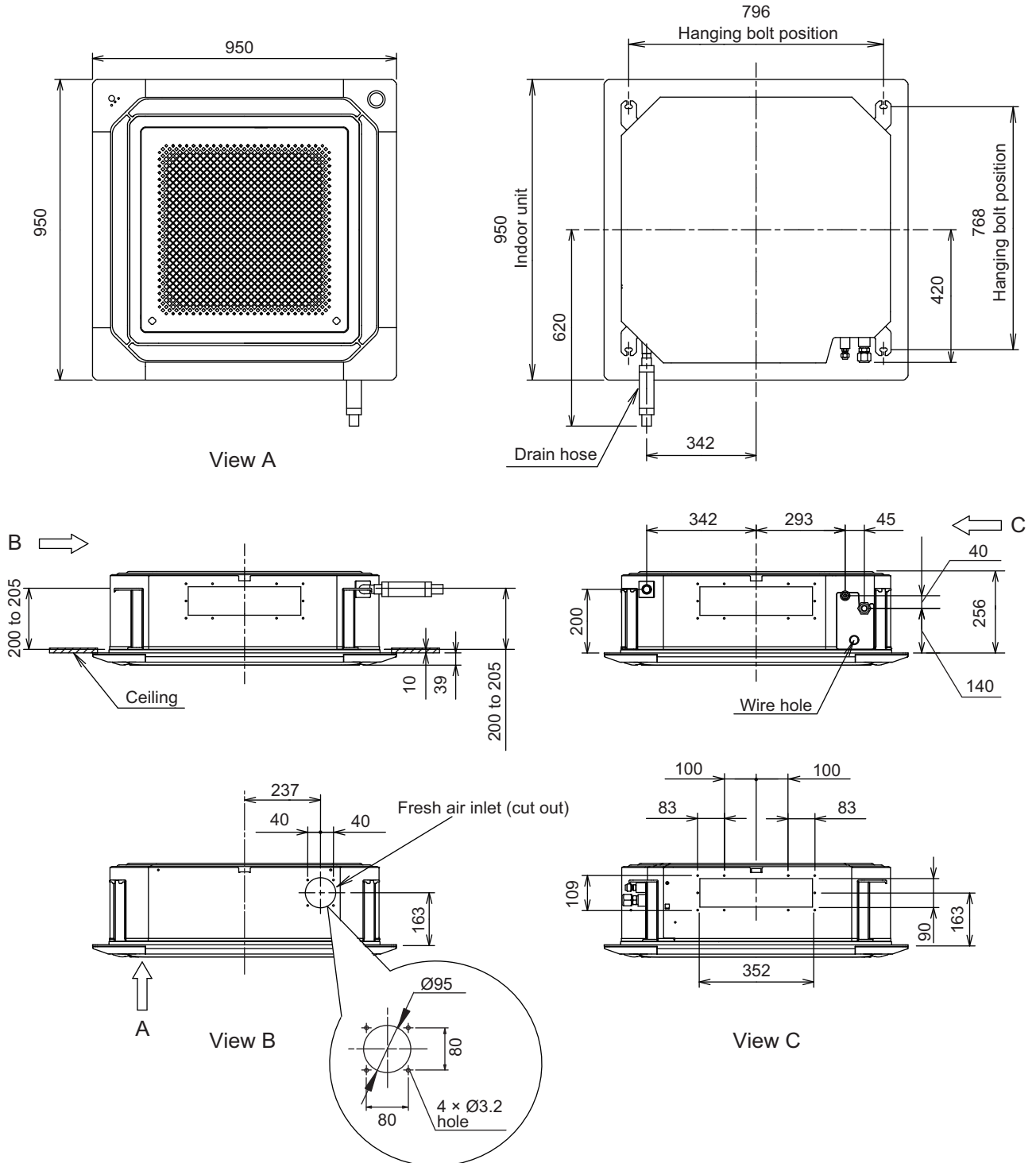
| Type  |                                 |         |  | Inverter heat pump                                   |  |            |  |   |
|---|---------------------------------|---------|--|--|--|------------|--|---|
| Model name  |                                 |         |  | AOYG45KATA   |  | AOYG54KATA |  |   |
| Power supply  |                                 |         |  | 230 V ~ 50 Hz  |  |            |  |   |
| Power supply intake   |                                 |         |  | Outdoor unit   |  |            |  |   |
| Available voltage range   |                                 |         |  | 198—264 V  |  |            |  |   |
| Starting current  |                                 |         |  | 21.3   |  |            |  |   |
| Fan   | Airflow rate                    | Cooling | m <sup>3</sup> /h                                  | 4,450  |  |            |  |   |
|   |                                 | Heating |  |  |  |            |  |   |
|   | Type × Q'ty                     |         | Propeller × 1                                      |  |  |            |  |   |
|   | Motor output                    |         | W  |  | 120                                      |            |  |   |
| Sound pressure level *1   | Cooling                         |         | dB (A)   | 58   |  | 58         |  |   |
|   | Heating                         |         |  | 59   |  | 61         |  |   |
| Sound power level   | Cooling                         |         | dB (A)   | 72   |  | 74         |  |   |
|   | Heating                         |         |  | 73   |  | 75         |  |   |
| Heat exchanger type   | Dimensions (H × W × D)          |         | mm   | Main1: 966 × 905 × 18.19<br>Main2: 966 × 905 × 18.19 |  |            |  |   |
|   | Fin pitch                       |         |  | Main1: 1.45<br>Main2: 1.45                           |  |            |  |   |
|   | Rows × Stages                   |         |  | Main1: 1 × 46<br>Main2: 1 × 46                       |  |            |  |   |
|   | Pipe type                       |         |  | Copper   |  |            |  |   |
|   | Fin                             |         | Type (Material)                                    | Aluminum   |  |            |  |   |
|   |                                 |         | Surface treatment                                  | Blue fin   |  |            |  |   |
| Compressor  | Type × Q'ty                     |         | DC Twin rotary × 1                                 |  |  |            |  |   |
|   | Motor output                    |         |  |  |  |            |  | W |
| Refrigerant   | Type (Global warming potential) |         | R32 (675)  |  |  |            |  |   |
|   | Factory charge                  |         | g  |  | 2,400                                    |            |  |   |
| Refrigerant oil   | Type                            |         | RmM68AF  |  |  |            |  |   |
|   | Amount                          |         | cm <sup>3</sup>                                    |  | 800                                      |            |  |   |
| Enclosure   | Material                        |         | Steel sheet  |  |  |            |  |   |
|   | Color                           |         | Beige<br>Approximate color of Munsell 10YR 7.5/1.0 |  |  |            |  |   |
| Dimensions (H × W × D)  | Net                             |         | mm   | 998 × 940 × 320                                      |  |            |  |   |
|   | Gross                           |         |  | 1,176 × 1,027 × 445                                  |  |            |  |   |
| Weight  | Net                             |         | kg   | 61   |  | 63         |  |   |
|   | Gross                           |         |  | 71   |  | 72         |  |   |
| Connection pipe   | Size                            | Liquid  | mm (in)  | Ø 9.52 (Ø 3/8)                                       |  |            |  |   |
|   |                                 | Gas     |  | Ø 15.88 (Ø 5/8)                                      |  |            |  |   |
|   | Method                          |         | Flare  |  |  |            |  |   |
|   | Pre-charge length               |         | 30   |  |  |            |  |   |
|   | Max. length                     |         | m  | 30   |  |            |  |   |
| Max. height difference  |                                 | 30      |  |  |  |            |  |   |
| Operation range   | Cooling                         |         | °C   | -10 to 46  |  |            |  |   |
|   | Heating                         |         |  | -15 to 24  |  |            |  |   |
| Drain hose  | Material                        |         | LDPE   |  |  |            |  |   |
|   | Size                            |         | mm   |  | Ø 13.0 (I. D.), Ø 16.0 to Ø 16.7 (O. D.) |            |  |   |
| <b>NOTES:</b>   |                                 |         |  |  |  |            |  |   |
| <ul style="list-style-type: none"> <li>• Specifications are based on the following conditions: <ul style="list-style-type: none"> <li>– Cooling: Indoor temperature of 27 °CDB/19 °CWB, and outdoor temperature of 35 °CDB/24 °CWB.</li> <li>– Heating: Indoor temperature of 20 °CDB/15 °CWB, and outdoor temperature of 7 °CDB/6 °CWB.</li> <li>– Pipe length: 5.0 m, Height difference: 0 m. (Between outdoor unit and indoor unit.)</li> </ul> </li> <li>• Protective function might work when using it outside the operation range.</li> <li>• *1: Sound pressure level <ul style="list-style-type: none"> <li>– Measured values in manufacturer's anechoic chamber.</li> <li>– Because of the surrounding sound environment, the sound levels measured in actual installation conditions might be higher than the specified values here.</li> </ul> </li> </ul> |                                 |         |  |  |  |            |  |   |

## 2. Dimensions

### 2-1. Indoor unit

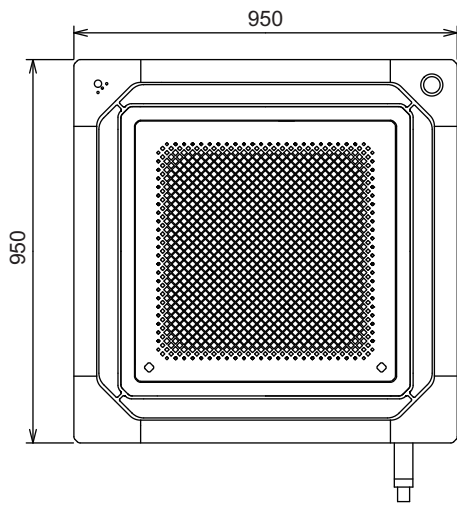
#### ■ Model: AUXG24KRLB

Unit: mm

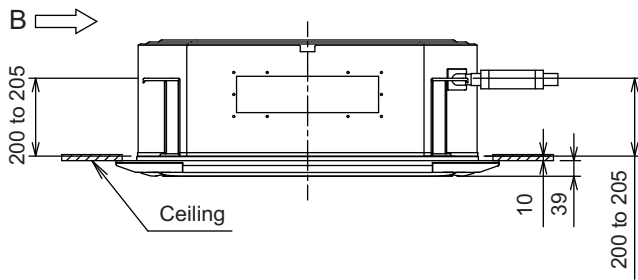
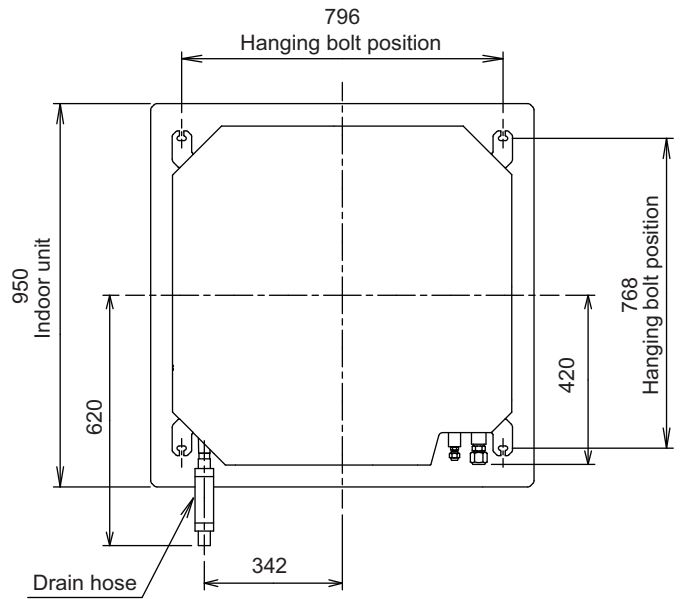


■ Models: AUXG30KRLB, AUXG36KRLB, AUXG45KRLB, and AUXG54KRLB

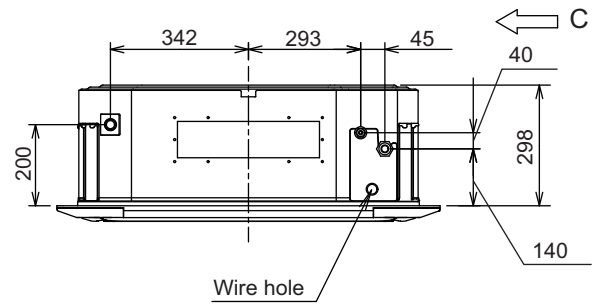
Unit: mm



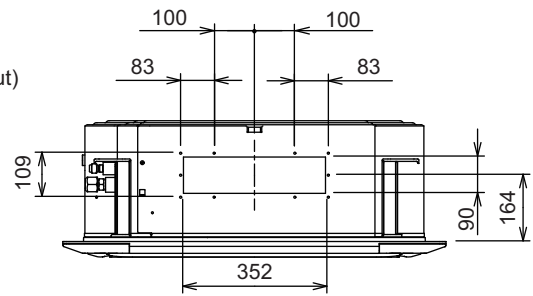
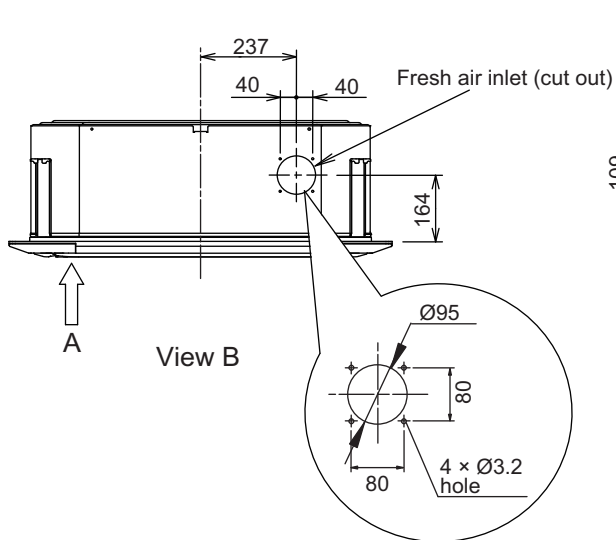
View A



View B

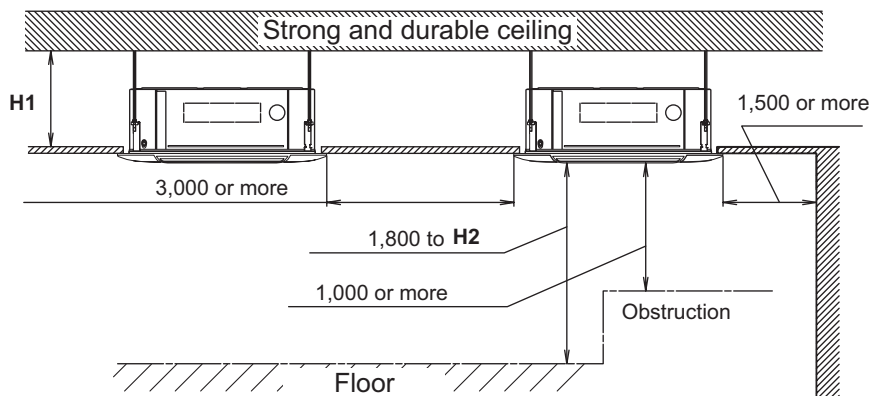


View C



## ■ Installation space requirement

Unit: mm



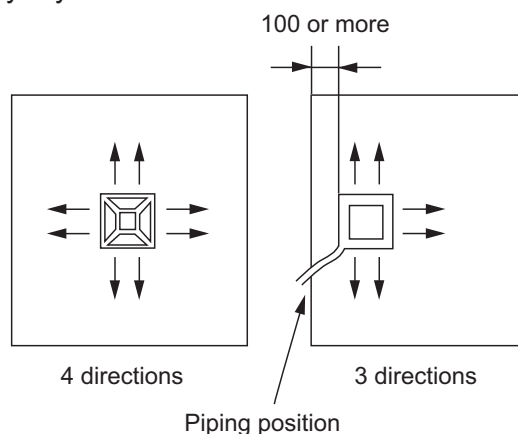
| Model name    | H1: Attic height |
|---------------|------------------|
| AUXG24KRLB    | 256 or more      |
| AUXG30-54KRLB | 298 or more      |

Be sure to make function setting with the remote controller according to the installed ceiling height.

| H2: The maximum height from floor to ceiling |            |               |
|--|------------|---------------|
| Ceiling height                               | Model name |               |
|  | AUXG24KRLB | AUXG30-54KRLB |
| Standard                                     | 3,000      | 3,200         |
| High ceiling                                 | 3,500      | 4,200         |

## ● Installation notices

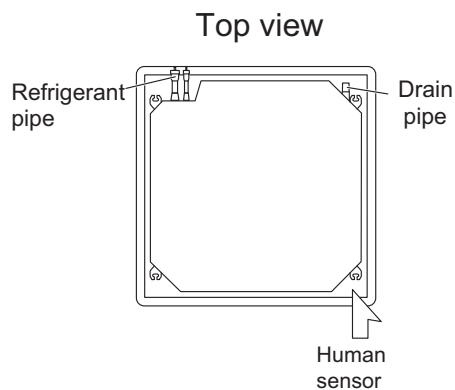
- When installing the indoor unit, be careful about the maintenance space.
- To set "3-direction", Air outlet shutter plate (option) must be installed, and the "outlet-direction" need to be switched to "3-way" by the remote controller.



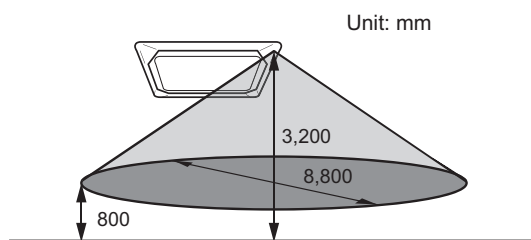
- In 3-way outlet mode, changing of ceiling height setting by function setting 20 is prohibited. (Ceiling height setting [function setting 20] is allowed to be changed only in 4-way outlet mode.)
- Use the Insulation kit for high humidity (option), when the condition under the roof is over 80% in humidity and over 30°C in temperature. Otherwise, there is a risk of condensation on the ceiling.



- Human sensor (Option)



Example of sensitivity range:



|  |                    |                           |
|--|--------------------|---------------------------|
| Equal sensitivity range of temperature | Ceiling height     | 3,200 mm                  |
|  | Detecting position | 800 mm from floor surface |

**NOTE:** When the installation height gets higher, the temperature sensitivity decreases.

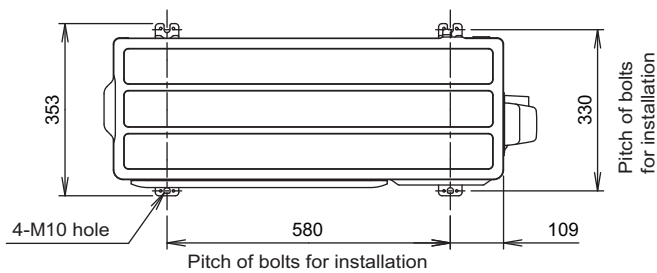
**⚠ CAUTION**

- Do not place large objects near the human sensor.
- Keep any other heating units outside the sensor's detection area.

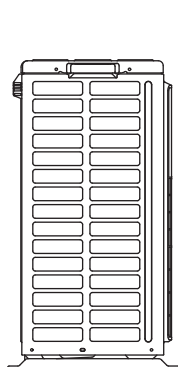
## 2-2. Outdoor unit

### ■ Model: AOYG24KATA

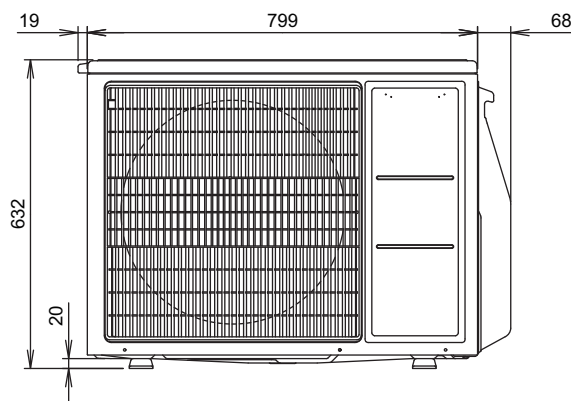
Unit: mm



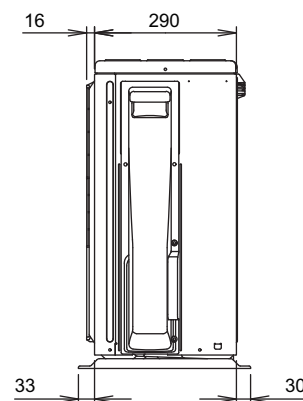
Top view



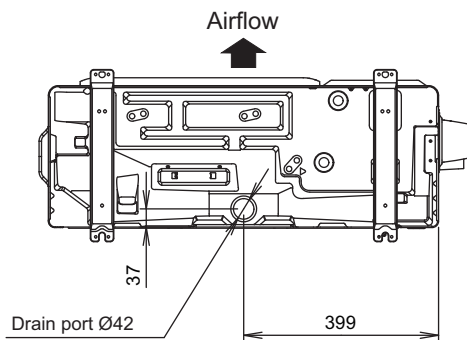
Side view



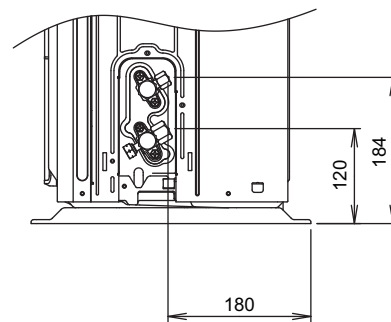
Front view



Side view



Bottom view



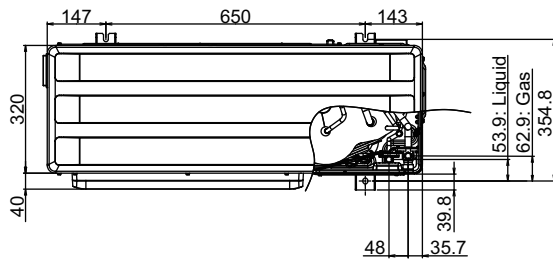
Side view (Valve part)

Models: AOYG30KATA and AOYG36KATA

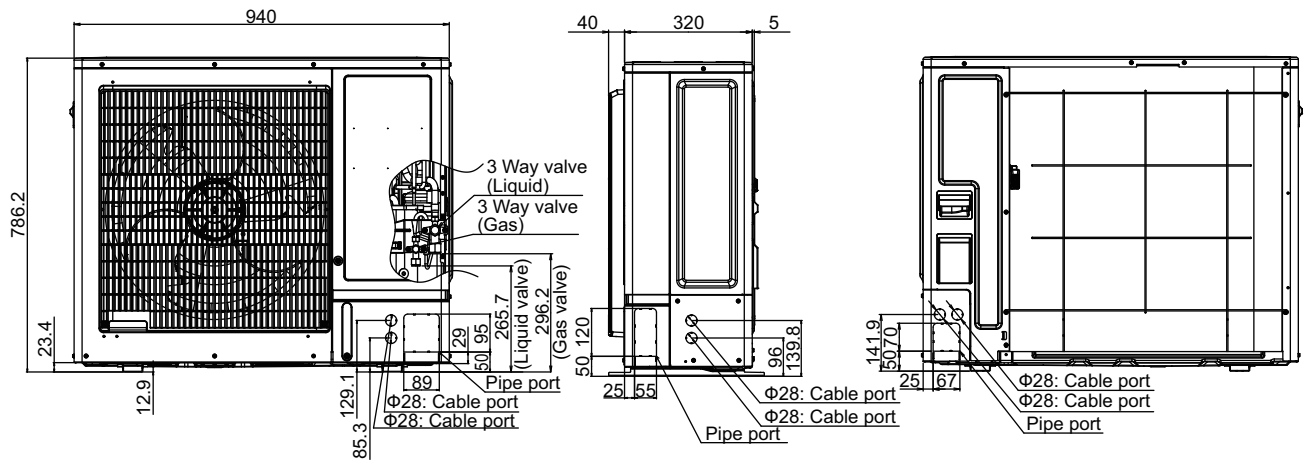
Unit: mm

GENERAL INFORMATION

GENERAL INFORMATION



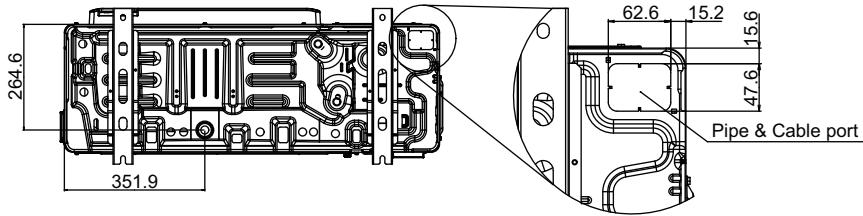
Top view



Front view

Side view

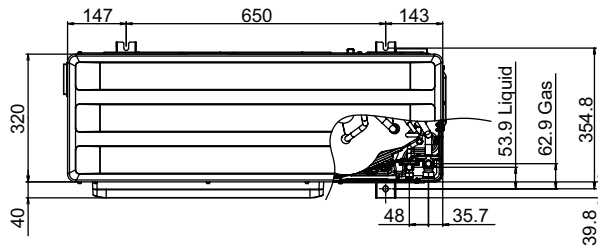
Rear view



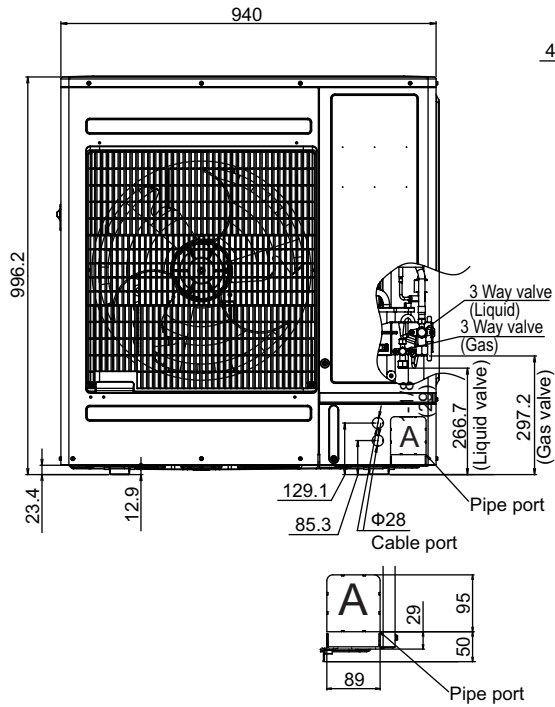
Bottom view

Model: AOYG45KATA

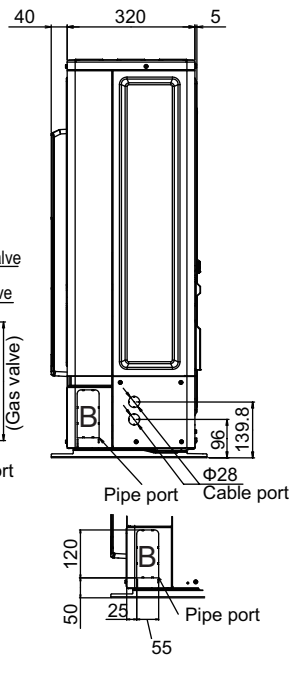
Unit: mm



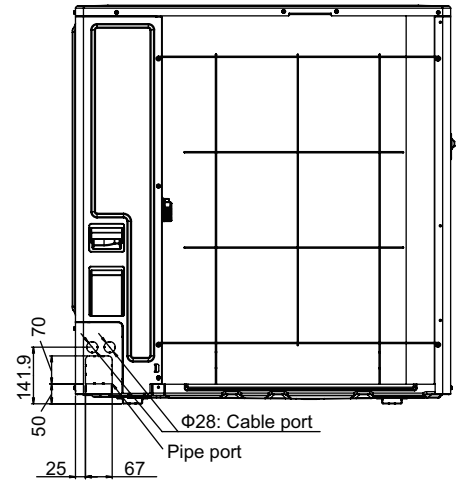
Top view



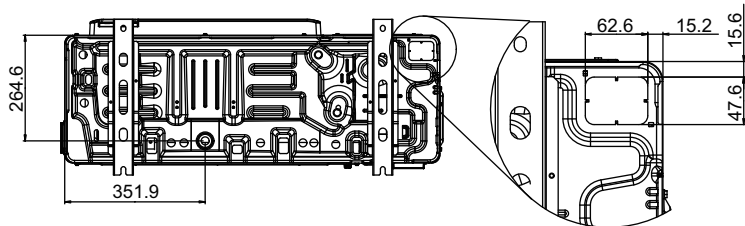
Front view



Side view



Rear view



Bottom view

Pipe & Cable port

## **2. TECHNICAL DATA AND PARTS LIST**

# CONTENTS

## 2. TECHNICAL DATA AND PARTS LIST

|  |              |
|--|--------------|
| <b>1. Precautions</b> .....  | <b>02-1</b>  |
| <b>2. Cassette grille (optional part) parts list</b> .....                           | <b>02-2</b>  |
| 2-1. Model: UTG-UKYC-W .....   | 02-2         |
| <b>3. Indoor unit parts list</b> .....   | <b>02-5</b>  |
| 3-1. Models: AUXG24KRLB, AUXG30KRLB, AUXG36KRLB, AUXG45KRLB, and<br>AUXG54KRLB ..... | 02-5         |
| <b>4. Outdoor unit parts list</b> .....  | <b>02-10</b> |
| 4-1. Model: AOYG24KATA .....   | 02-10        |
| 4-2. Models: AOYG30KATA and AOYG36KATA.....  | 02-14        |
| 4-3. Models: AOYG45KATA and AOYG54KATA.....  | 02-18        |
| <b>5. Accessories</b> .....  | <b>02-22</b> |
| 5-1. Indoor unit .....   | 02-22        |
| 5-2. Outdoor unit.....   | 02-23        |
| <b>6. Optional parts</b> .....   | <b>02-24</b> |
| 6-1. Indoor unit .....   | 02-24        |
| 6-2. Outdoor unit.....   | 02-27        |
| <b>7. Refrigerant system diagrams</b> .....  | <b>02-28</b> |
| 7-1. Model: AOYG24KATA .....   | 02-28        |
| 7-2. Models: AOYG30KATA, AOYG36KATA, AOYG45KATA, and AOYG54KATA .....                | 02-29        |
| <b>8. PC board diagrams</b> .....  | <b>02-30</b> |
| 8-1. Models: AUXG24KRLB, AUXG30KRLB, AUXG36KRLB, AUXG45KRLB, and<br>AUXG54KRLB ..... | 02-30        |
| 8-2. Model: AOYG24KATA .....   | 02-31        |
| 8-3. Models: AOYG30KATA, AOYG36KATA, AOYG45KATA, and AOYG54KATA .....                | 02-32        |

# 1. Precautions

When you start servicing, pay attention to the following points. For detailed precautions, refer to the installation manual of the products.

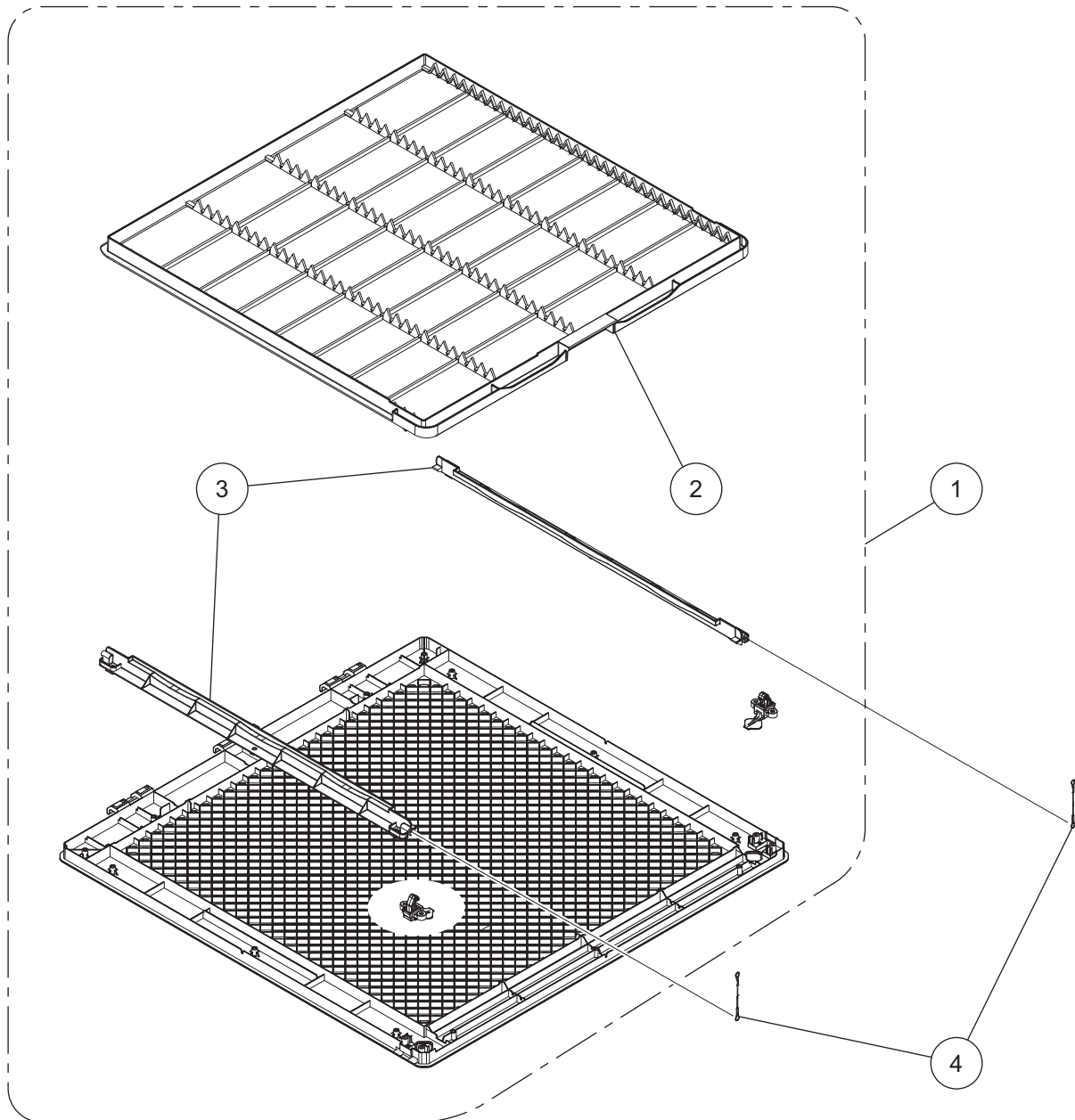
## ⚠ CAUTION

- 
- Service personnel
    - Any person who is involved with working on or breaking into a refrigerant circuit should hold a current valid certificate from an industry-accredited assessment authority, which authorizes their competence to handle refrigerants safely in accordance with an industry recognized assessment specification.
    - Servicing shall only be performed as recommended by the equipment manufacturer. Maintenance and repair requiring the assistance of other skilled personnel shall be carried out under the supervision of the person competent in the use of flammable refrigerants.
    - Servicing shall be performed only as recommended by the manufacturer.
  - Work
    - Prior to beginning work on systems containing flammable refrigerants, safety checks are necessary to ensure that the risk of ignition is minimized. When repairing the refrigerant system, refer to the precautions written in the installation manual of the products before you start servicing.
    - Work shall be undertaken under a controlled procedure so as to minimize the risk of a flammable gas or vapor being present while the work is being performed.
    - All maintenance staff and others working in the local area shall be instructed on the nature of work being carried out.
    - Work in confined spaces shall be avoided.
    - The area around the workspace shall be sectioned off.
    - Ensure that the conditions within the area have been made safe by control of flammable material.
    - Electric shock may occur. After turning off the power, always wait 5 minutes before touching electrical components.
    - Do not touch the fins of the heat exchanger. Touching the heat exchanger fins could result in damage to the fins or personal injury such as skin rupture.
    - Do not place any other electrical products or household belongings under the product.
    - Condensation dripping from the product might get them wet, and may cause damage or malfunction to the property.
  - Checking for presence of refrigerant
    - The area shall be checked with an appropriate refrigerant detector prior to and during work, to ensure the technician is aware of potentially flammable atmospheres.
    - Ensure that the leak detection equipment being used is suitable for use with flammable refrigerants, i.e. non-sparking, adequately sealed or intrinsically safe.
- 
- Service parts information and design are subject to change without notice for product improvement.
  - For the latest information of the service parts, refer to our Service Portal.  
<https://fujitsu-general.force.com/portal/>
  - Precise figure of the service parts listed in this manual may differ from the actual service parts.

## 2. Cassette grille (optional part) parts list

### 2-1. Model: UTG-UKYC-W

#### ■ Intake grille



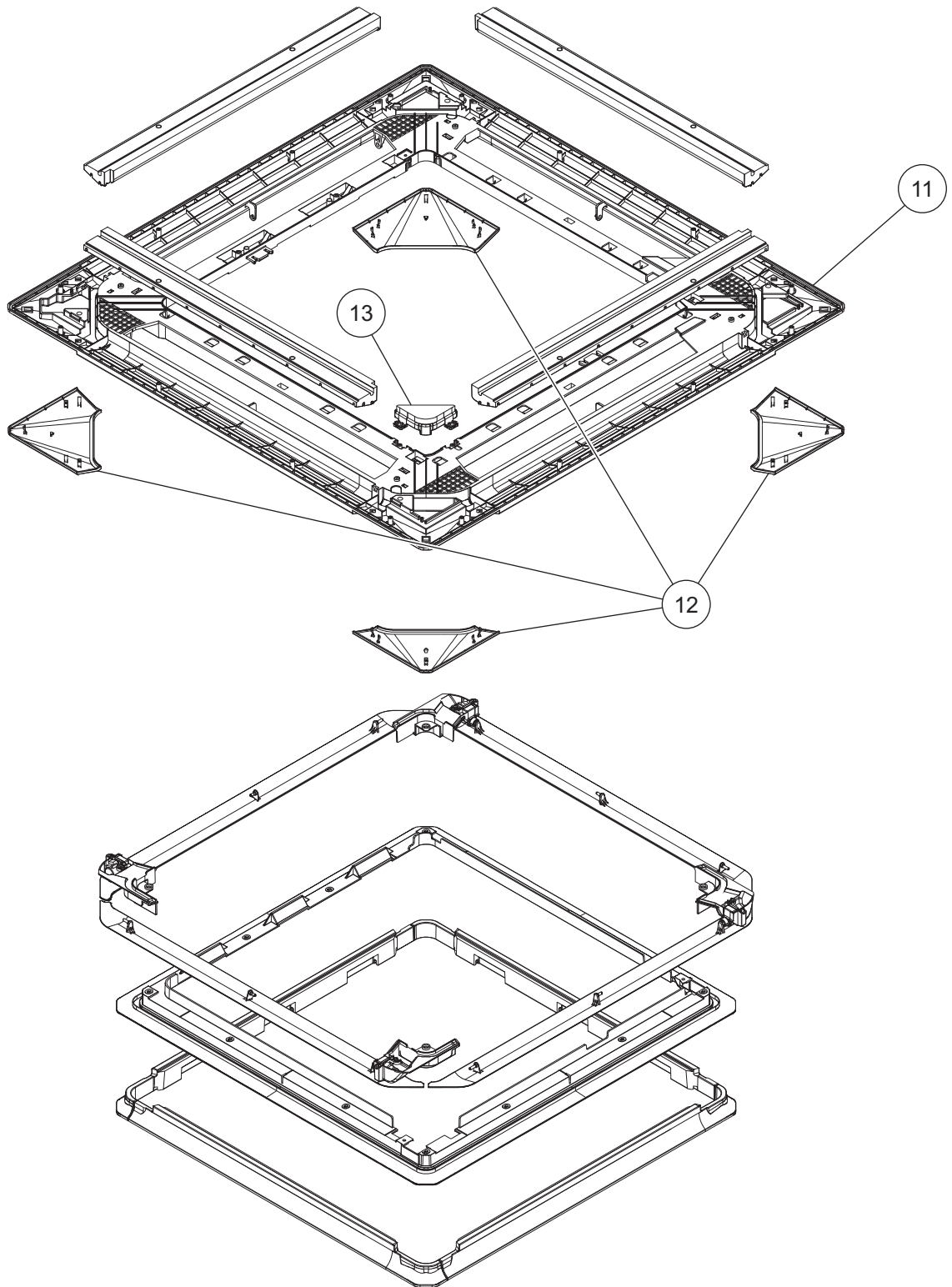
| Ref No. | Description        | Parts No.  |
|---------|--------------------|------------|
| 1       | Intake Grille Assy | 9381691005 |
| 2       | Long Life Filter   | 9378252028 |
| 3       | Filter Guide       | 9378253018 |
| 4       | Hook Wire          | 9378597020 |



■ Panels

TECHNICAL DATA  
AND PARTS LIST

TECHNICAL DATA  
AND PARTS LIST

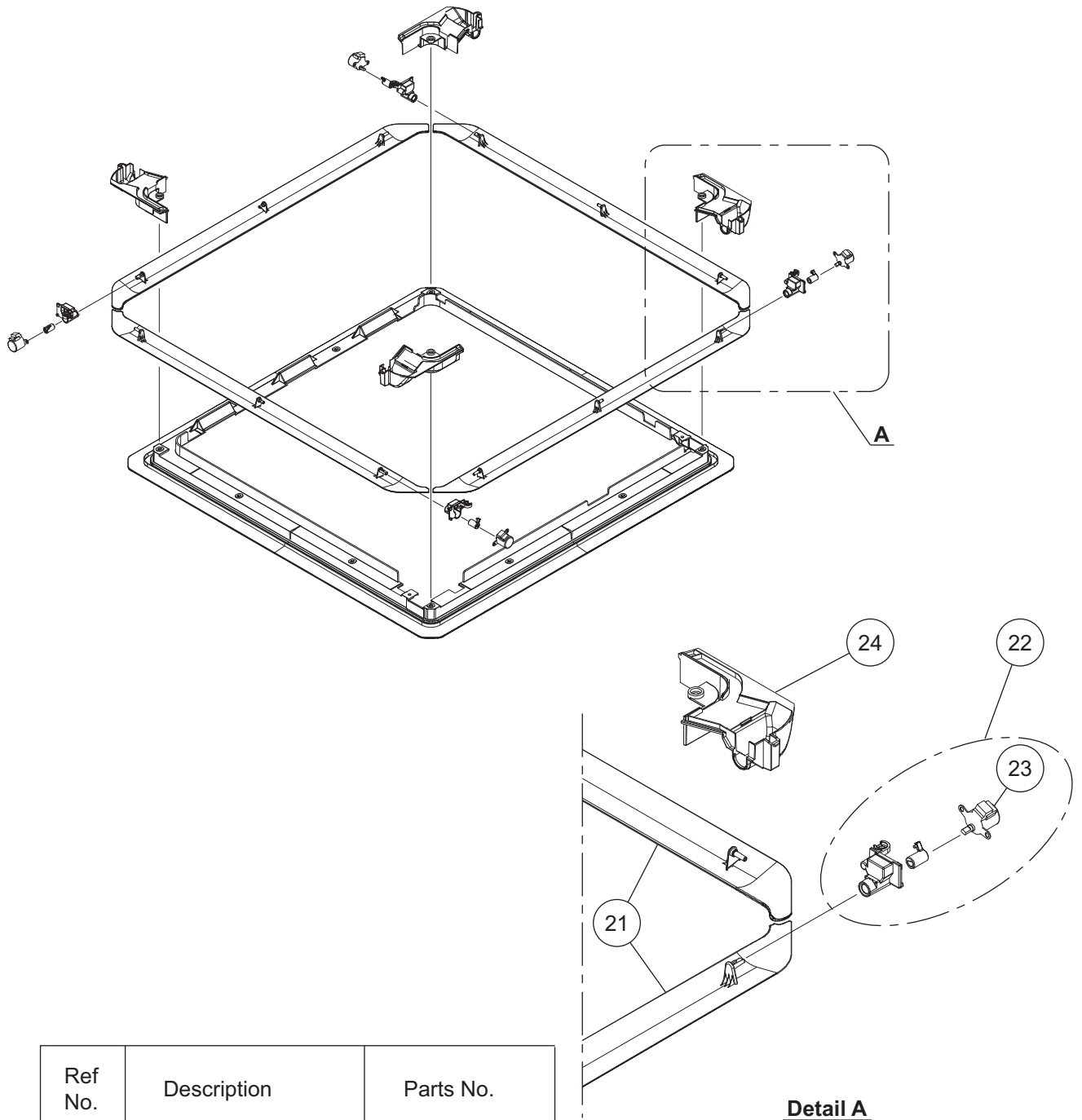


| Ref No. | Description       | Parts No.  |
|---------|-------------------|------------|
| 11      | Decoration Panel  | 9381352005 |
| 12      | Corner Panel Assy | 9381711000 |
| 13      | Drain Cover Assy  | 9381713004 |

# ■ Louvers and motors

TECHNICAL DATA  
AND PARTS LIST

TECHNICAL DATA  
AND PARTS LIST



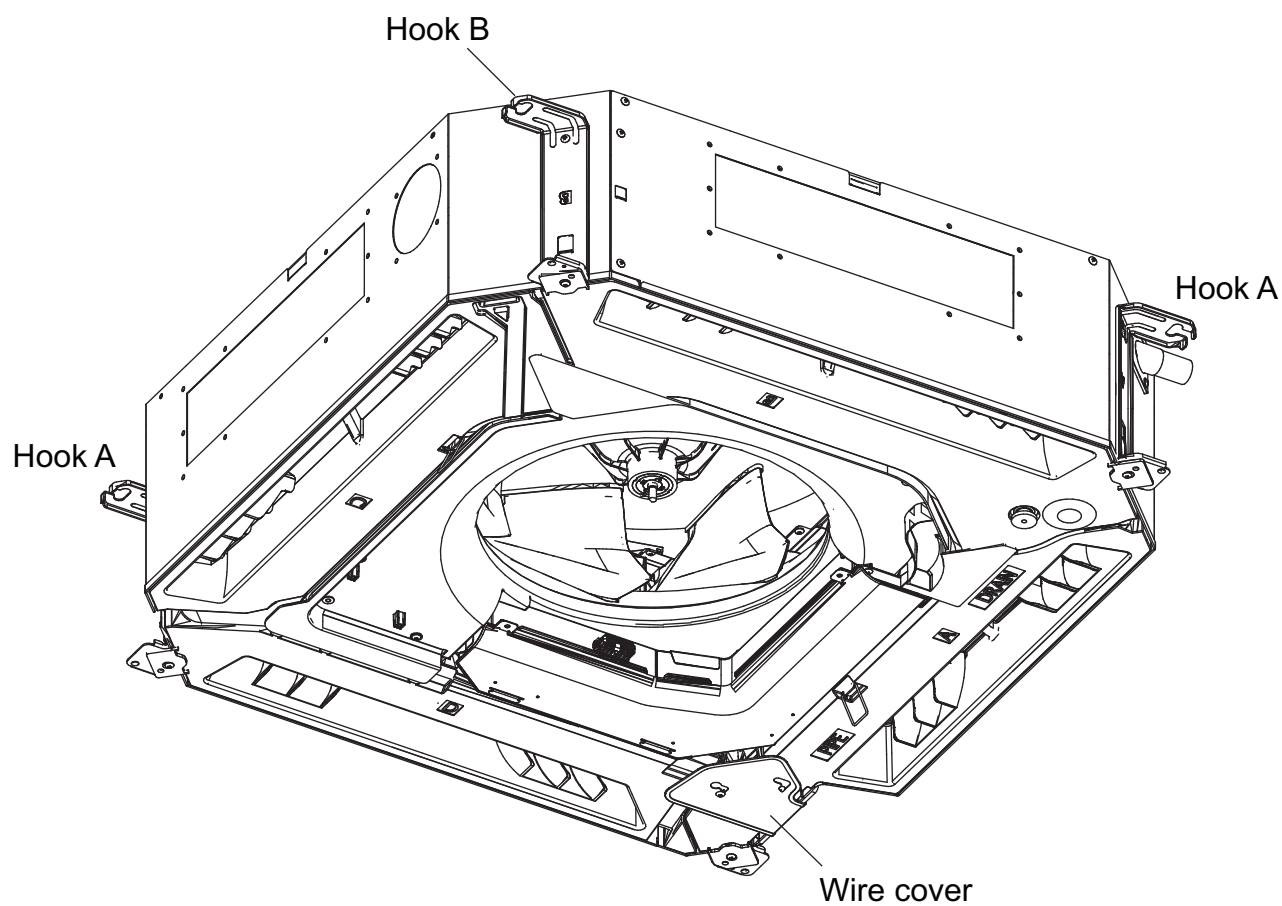
| Ref No. | Description       | Parts No.  |
|---------|-------------------|------------|
| 21      | Louver Assy       | 9381693009 |
| 22      | Motor Case Assy   | 9381712007 |
| 23      | Step Motor        | 9900885007 |
| 24      | Motor Cover       | 9381354009 |
|         | Wire (Step Motor) | 9710175008 |

**Detail A**

### 3. Indoor unit parts list

#### 3-1. Models: AUXG24KRLB, AUXG30KRLB, AUXG36KRLB, AUXG45KRLB, and AUXG54KRLB

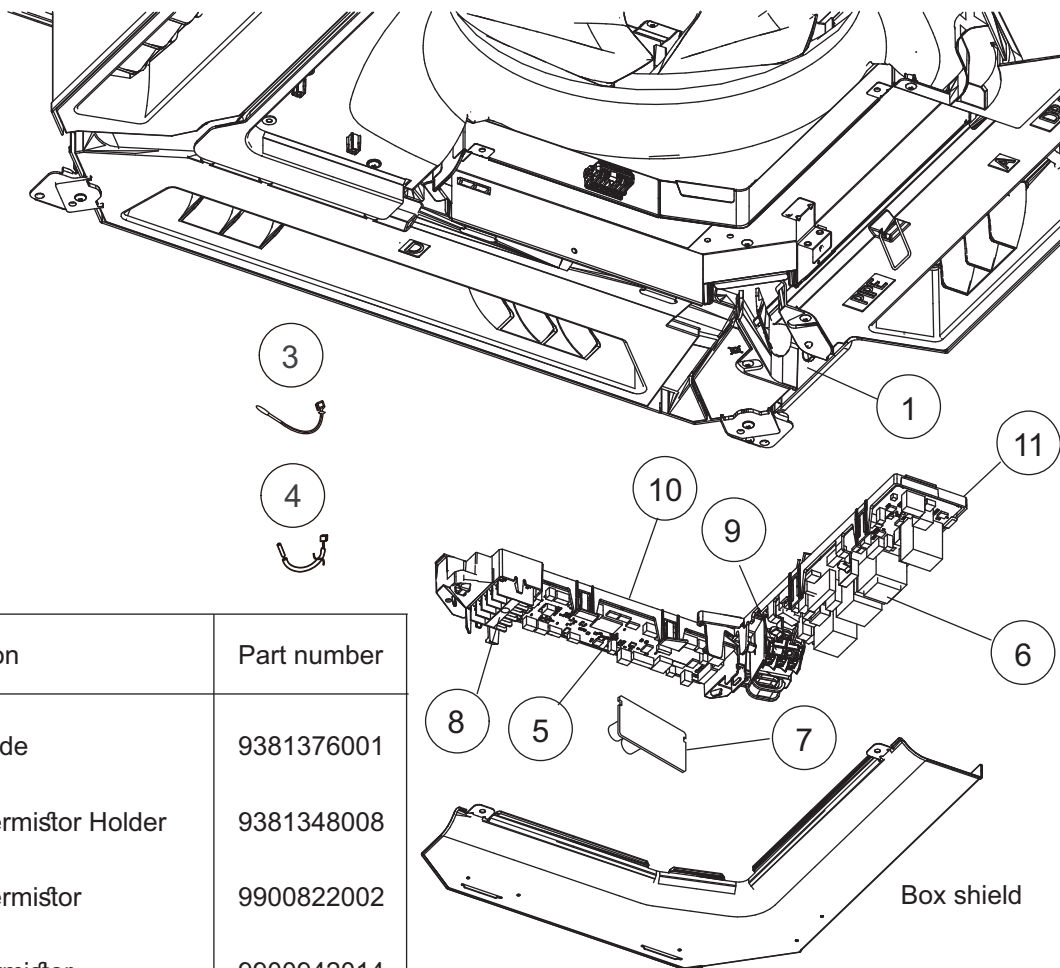
##### ■ Miscellaneous parts



# Main PC board

TECHNICAL DATA  
AND PARTS LIST

TECHNICAL DATA  
AND PARTS LIST

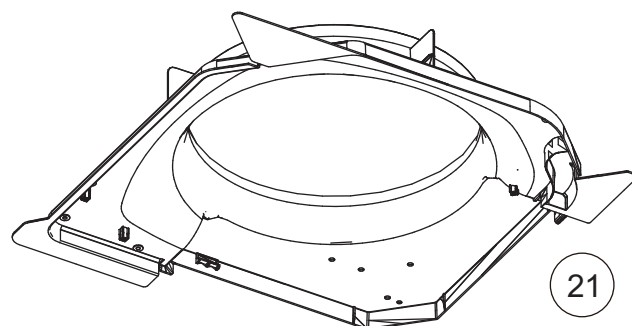
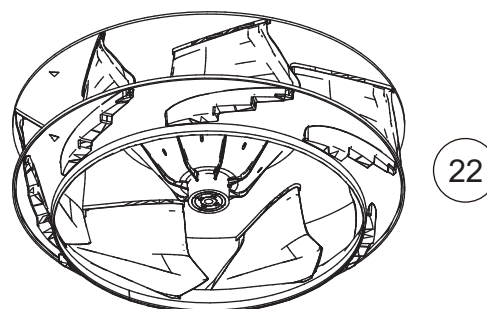
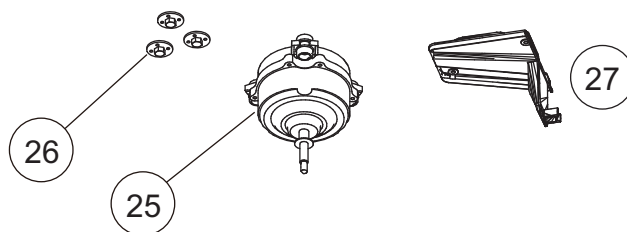
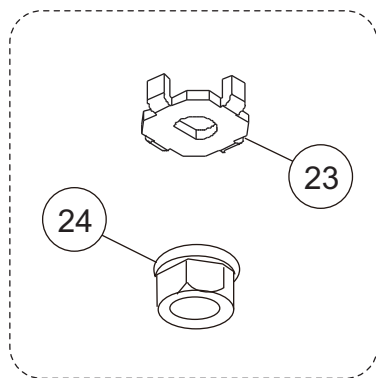
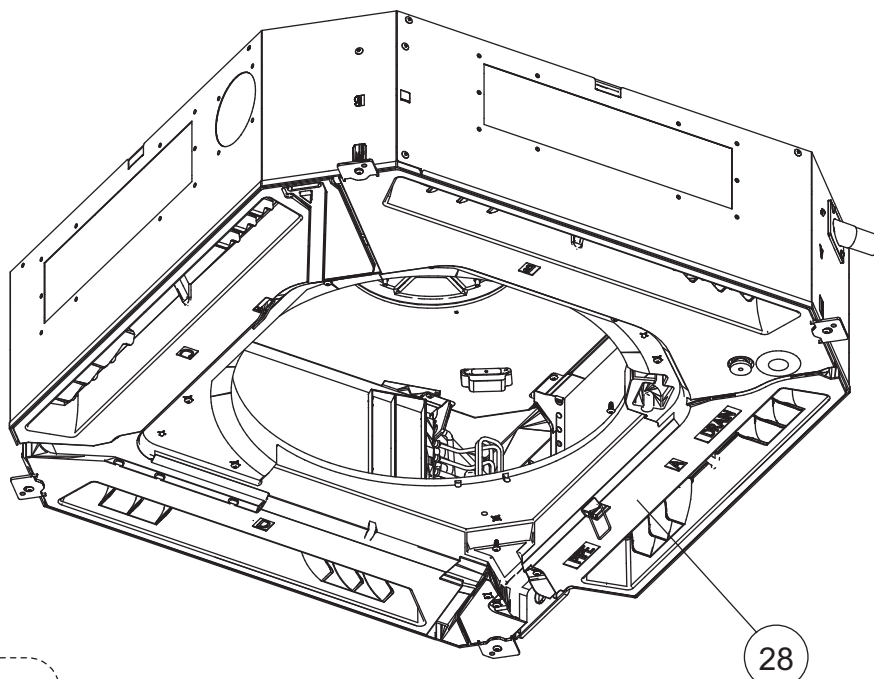


| Ref. | Description            | Part number |
|------|------------------------|-------------|
| 1    | Cable guide            | 9381376001  |
| 2    | Room thermistor Holder | 9381348008  |
| 3    | Room thermistor        | 9900822002  |
| 4    | Pipe Thermistor        | 9900942014  |
| 5    | Main PCB (AUXG24KRLB)  | 9710995873  |
| 5    | Main PCB (AUXG30KRLB)  | 9710995880  |
| 5    | Main PCB (AUXG36KRLB)  | 9710995897  |
| 5    | Main PCB (AUXG45KRLB)  | 9710995903  |
| 5    | Main PCB (AUXG54KRLB)  | 9710995910  |
| 6    | Power PCB              | 9710022005  |
| 7    | PCB (Non-polar 2-wire) | 9710019005  |
| 8    | Remote terminal 5P     | 9900896003  |
| 9    | Power Terminal 3P      | 9900720032  |
| 10   | Main PCB holder        | 9381350001  |
| 11   | Power PCB Holder       | 9381349005  |

# Fan and motor

TECHNICAL DATA  
AND PARTS LIST

TECHNICAL DATA  
AND PARTS LIST

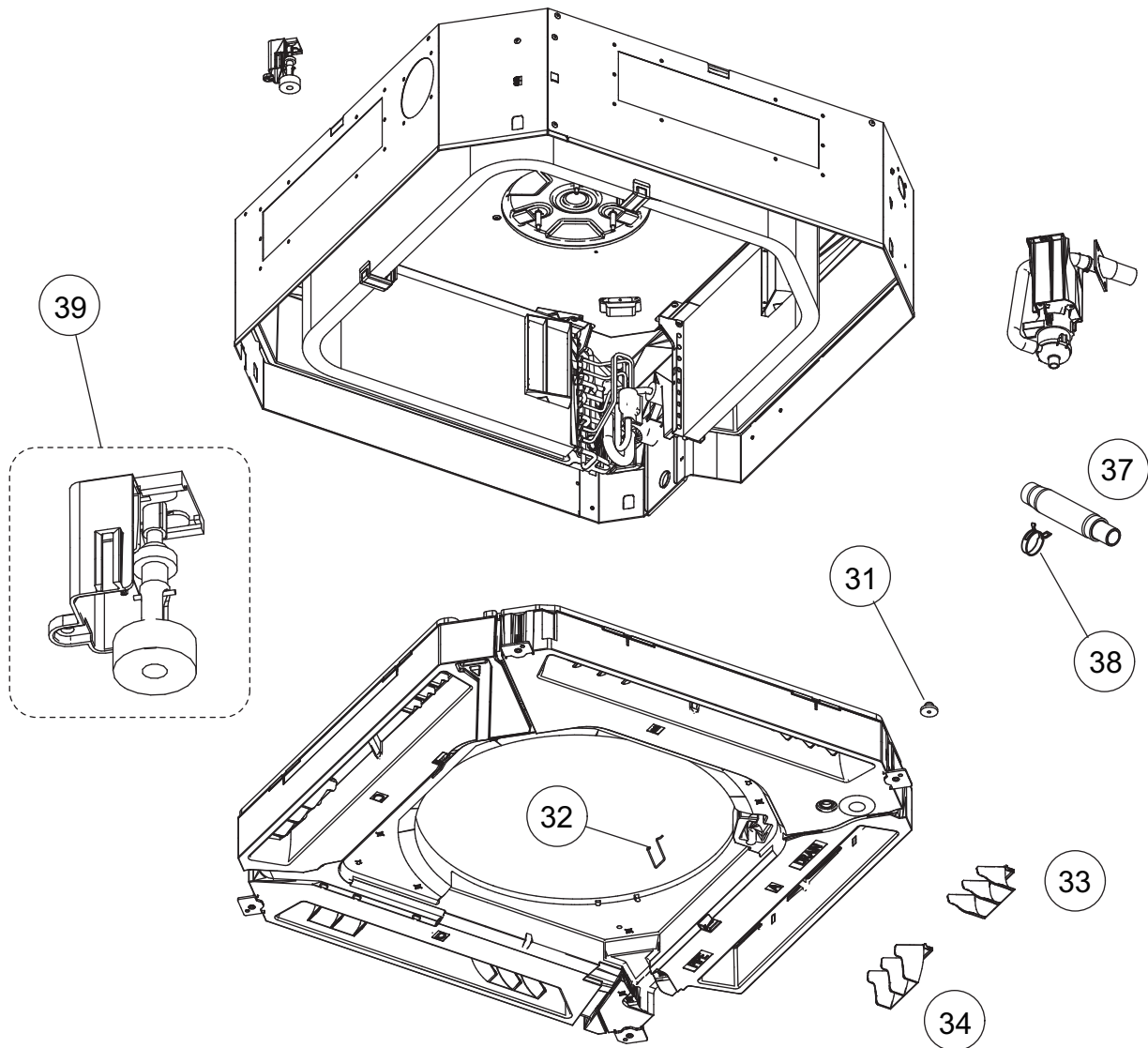


| Ref. | Description             | Part number |
|------|-------------------------|-------------|
| 21   | Bellmouth (24)          | 9381484003  |
| 21   | Bellmouth (30,36,45,54) | 9381345007  |
| 22   | Turbo fan assy          | 9381303007  |
| 23   | Turbo Fan Washer        | 9378394018  |
| 24   | Nut                     | 9356998009  |
| 25   | Brushless motor         | 9603443009  |
| 26   | Special Nut             | 9378388017  |
| 27   | Motor Wire Holder       | 9381351008  |
| 28   | Drain pan sub assy      | 9381789009  |

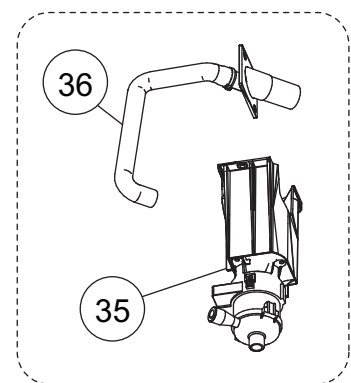
# ■ Drain pump

TECHNICAL DATA  
AND PARTS LIST

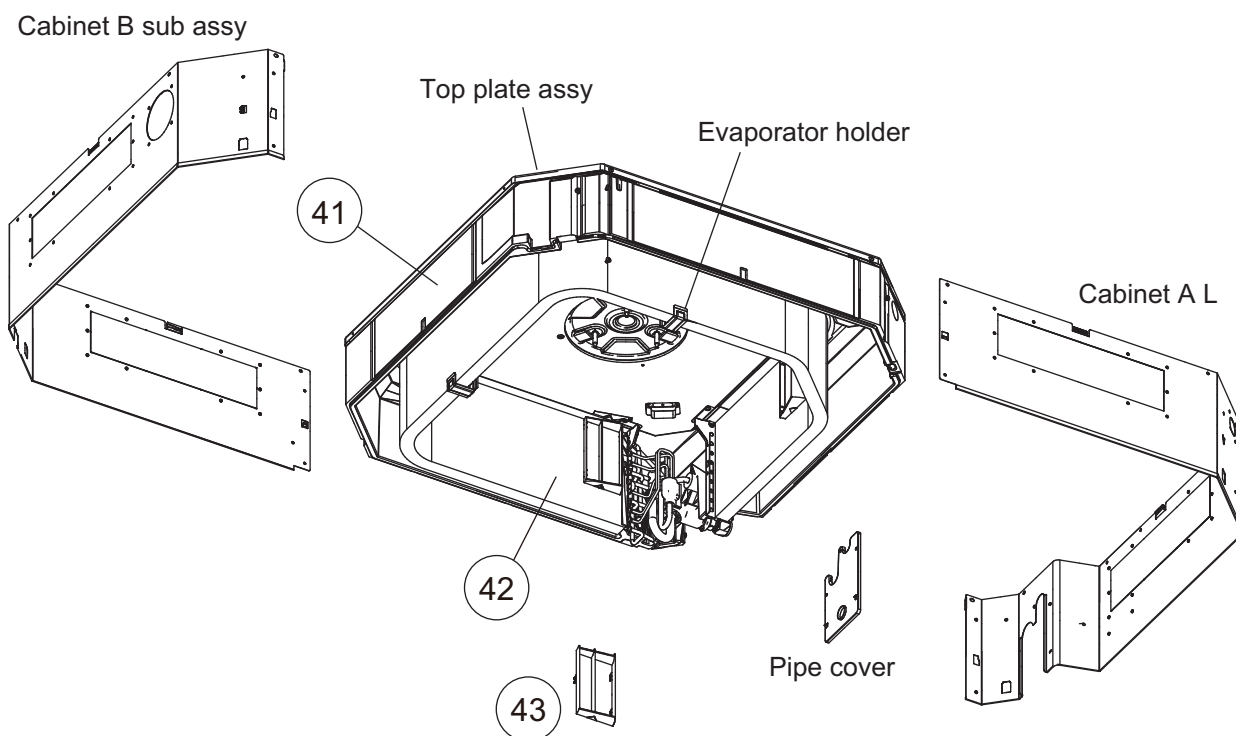
TECHNICAL DATA  
AND PARTS LIST



| Ref. | Description           | Part number |
|------|-----------------------|-------------|
| 31   | Drain Cap             | 9375502010  |
| 32   | Panel Hook            | 9375671013  |
| 33   | Vane L                | 9381745012  |
| 34   | Vane R                | 9381744008  |
| 35   | Drain Pump Sub Assy   | 9381793006  |
| 36   | Drain Port Sub Assy   | 9381788002  |
| 37   | Drain Hose            | 9379665001  |
| 38   | Hose Band             | 9379757010  |
| 39   | Float Switch Sub Assy | 9381794003  |



# Evaporator



| Ref. | Description                           | Part number |
|------|---------------------------------------|-------------|
| 41   | Insulation Box Sub Assy (24)          | 9381787012  |
| 41   | Insulation Box Sub Assy (30,36,45,54) | 9381787005  |
| 42   | Evaporator Total Assy (24)            | 9378580664  |
| 42   | Evaporator Total Assy (30)            | 9378580671  |
| 42   | Evaporator Total Assy (36,45,54)      | 9378580688  |
| 43   | Wind Guide Board                      | 9382125004  |

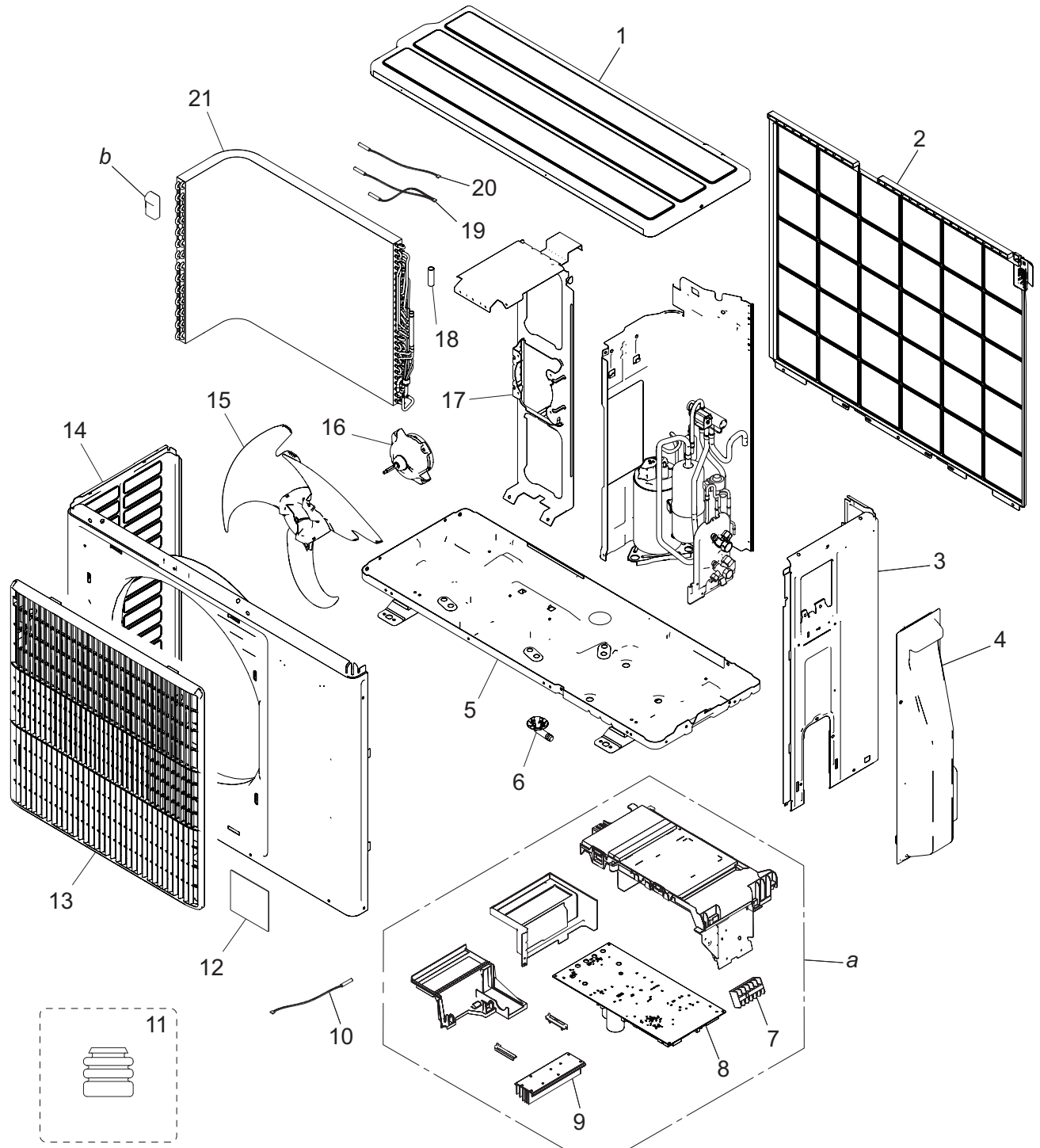
# 4. Outdoor unit parts list

## 4-1. Model: AOYG24KATA

### ■ Exterior parts and Chassis

TECHNICAL DATA  
AND PARTS LIST

TECHNICAL DATA  
AND PARTS LIST



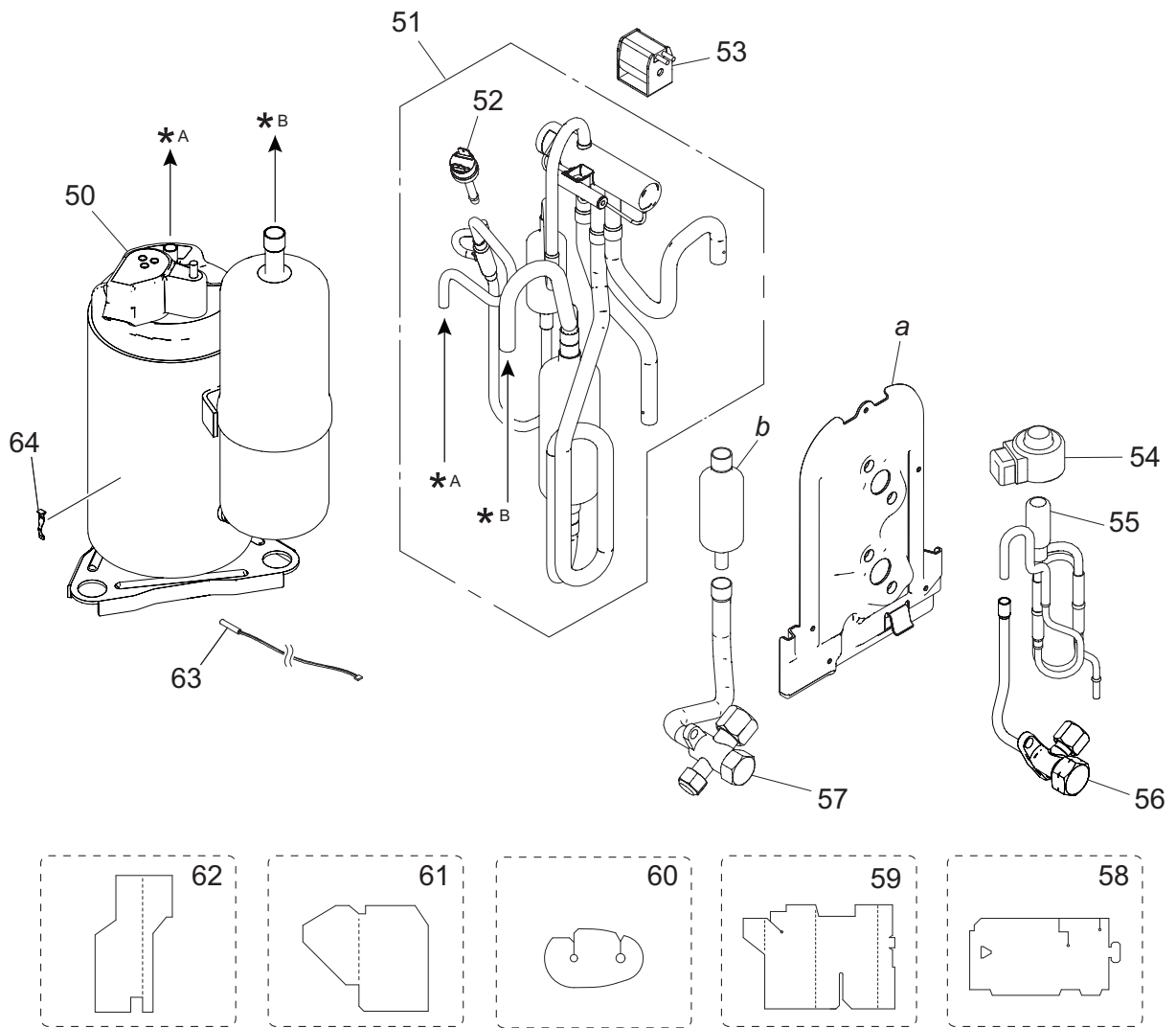


| Item no. | Part no.   | Part name                       | Service part |
|----------|------------|---------------------------------|--------------|
| 1        | 9322556028 | Top panel assy                  | ◆            |
| 2        | 9322811028 | Protective net assy             | ◆            |
| 3        | 9322552099 | Cabinet right assy              | ◆            |
| 4        | 9322570024 | Switch cover assy               | ◆            |
| 5        | 9322314024 | Base assy                       | ◆            |
| 6        | 9322144003 | Drain pipe                      | ◆            |
| 7        | 9900435028 | Terminal                        | ◆            |
| 8        | 9709683859 | Main PCB                        | ◆            |
| 9        | 9322420039 | Heat sink                       | ◆            |
| 10       | 9900565060 | Thermistor assy (Outdoor temp.) | ◆            |
| 11       | 9322386007 | Cushion rubber                  | ◆            |
| 12       | 9319151007 | Emblem                          | ◆            |
| 13       | 9322149008 | Blow grille                     | ◆            |
| 14       | 9322555021 | Front panel assy                | ◆            |
| 15       | 9322150004 | Propeller fan                   | ◆            |
| 16       | 9603601003 | Brushless motor                 | ◆            |
| 17       | 9322553027 | Motor bracket assy              | ◆            |
| 18       | 9331404006 | Thermistor holder pipe          | ◆            |
| 19       | 9900984014 | Heat exchanger thermistor       | ◆            |
| 20       | 9900727079 | Thermistor assy                 | ◆            |
| 21       | 9317089654 | Condenser total assy            | ◆            |
| <i>a</i> | —          | Inverter assy                   | —            |
| <i>b</i> | —          | Hair pin cushion                | —            |

# Compressor

TECHNICAL DATA  
AND PARTS LIST

TECHNICAL DATA  
AND PARTS LIST



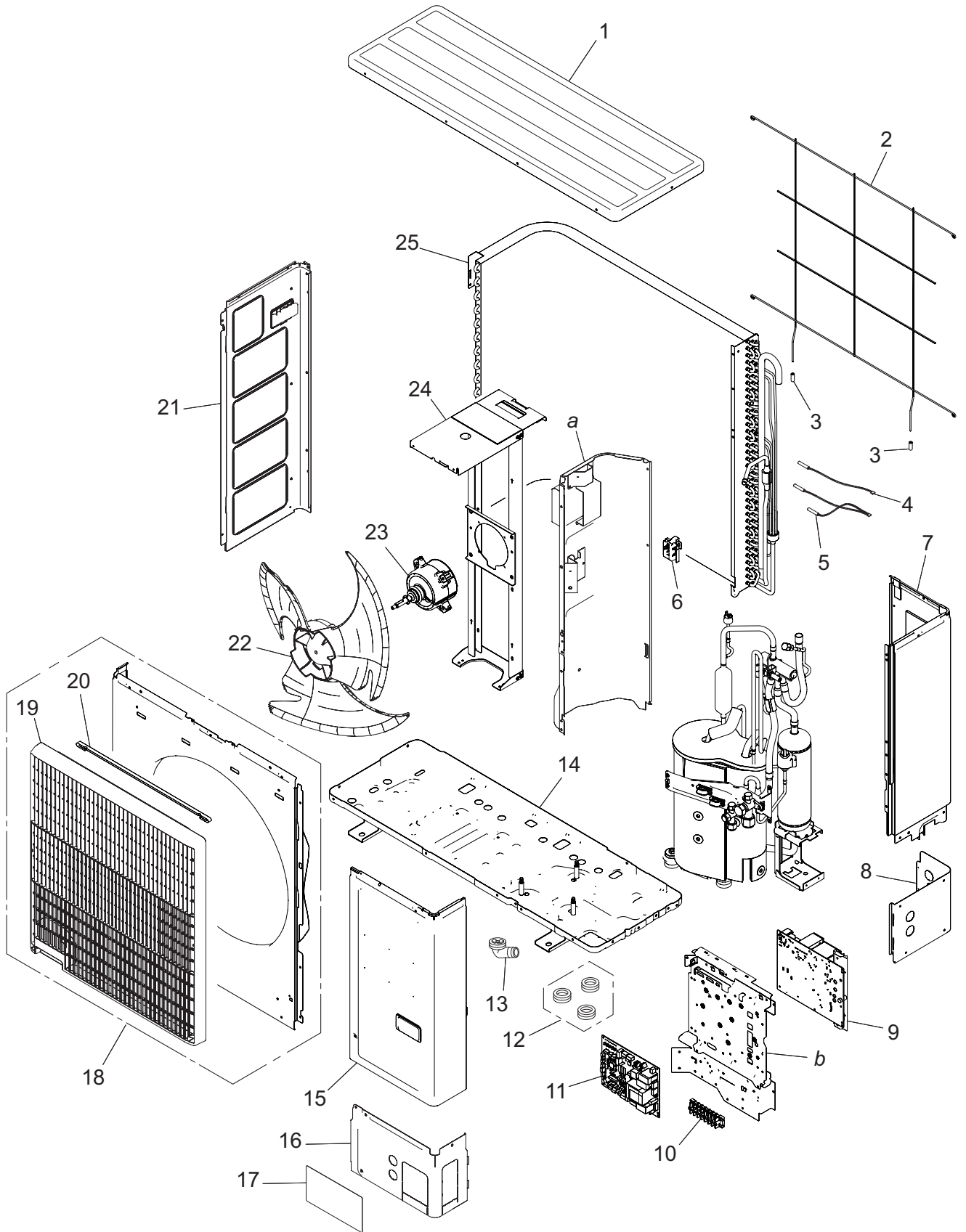
| Item no. | Part no.   | Part name                     | Service part |
|----------|------------|-------------------------------|--------------|
| 50       | 9810521002 | Compressor                    | ◆            |
| 51       | 9383129032 | 4-way valve assy              | ◆            |
| 52       | 9900186029 | Pressure switch               | ◆            |
| 53       | 9970110160 | Solenoid                      | ◆            |
| 54       | 9970173028 | Expansion valve coil          | ◆            |
| 55       | 9322463029 | Pulse motor valve assy        | ◆            |
| 56       | 9322474001 | 2-way valve assy              | ◆            |
| 57       | 9387831016 | 3-way valve assy              | ◆            |
| 58       | 9322503008 | S-insulator B                 | ◆            |
| 59       | 9322847003 | S-insulator F                 | ◆            |
| 60       | 9322501004 | S-insulator H                 | ◆            |
| 61       | 9323045002 | S-insulator V                 | ◆            |
| 62       | 9322824004 | S-insulator K                 | ◆            |
| 63       | 9900985011 | Thermistor (Compressor temp.) | ◆            |
| 64       | 9810028006 | Thermistor stopper            | ◆            |
| <i>a</i> | —          | Valve bracket                 | —            |
| <i>b</i> | —          | Muffler                       | —            |

# 4-2. Models: AOYG30KATA and AOYG36KATA

## ■ Exterior parts and chassis

TECHNICAL DATA  
AND PARTS LIST

TECHNICAL DATA  
AND PARTS LIST

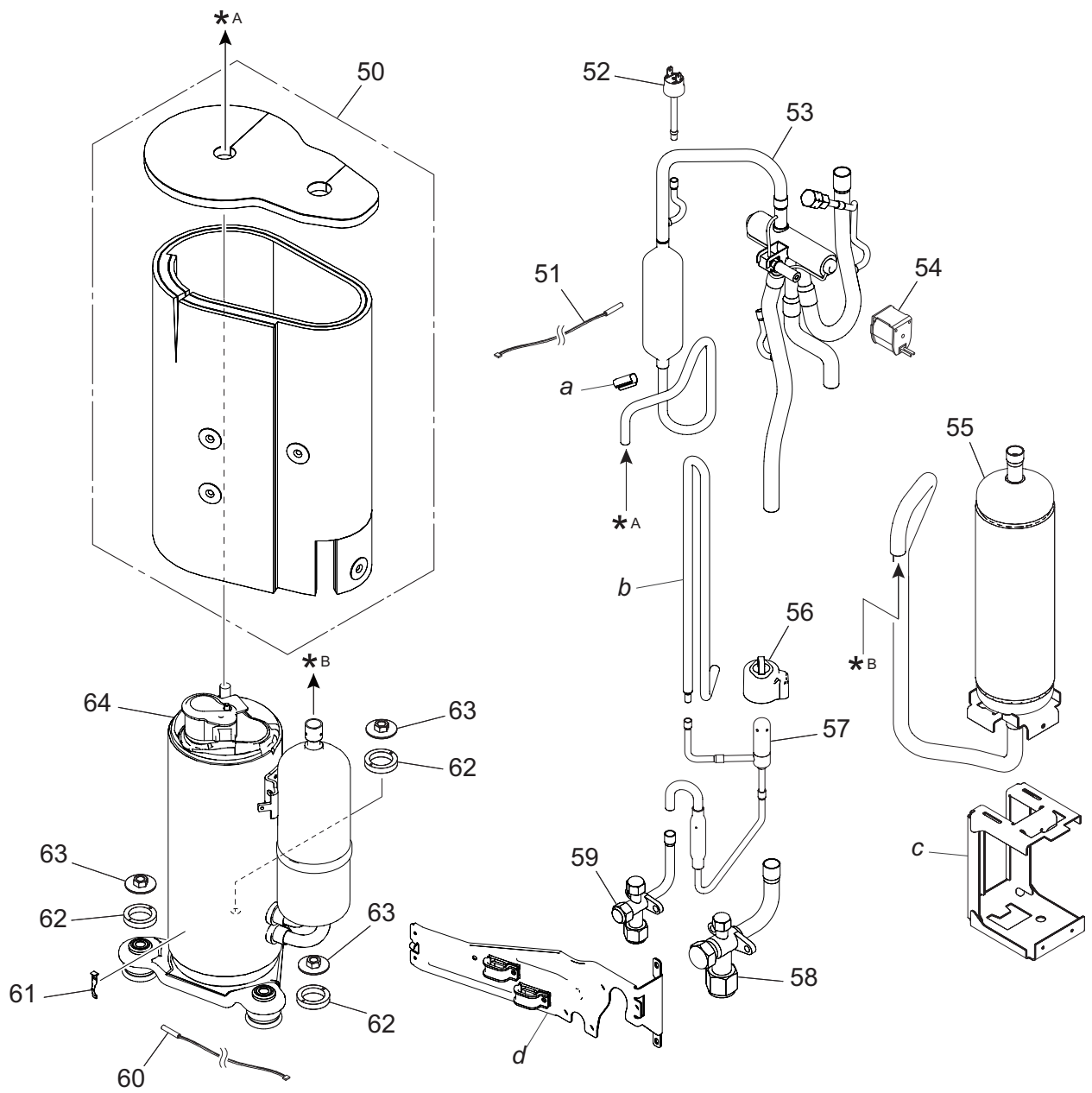


| Item no. | Part no.     | Part name                         | Service part |
|----------|--------------|-----------------------------------|--------------|
| 1        | 9383880001   | Top panel assy                    | ◆            |
| 2        | 9383779008   | Protective net                    | ◆            |
| 3        | 9375361013   | Net rubber                        | ◆            |
| 4        | 9900984038   | Thermistor (Heat exchanger)       | ◆            |
| 5        | 9900727154   | Thermistor assy                   | ◆            |
| 6        | 9383607004   | Thermo holder                     | ◆            |
| 7        | 9383874000   | Right panel sub assy              | ◆            |
| 8        | 9383879005   | Rear pipe cover                   | ◆            |
| 9        | 9711233004   | Inverter PCB                      | ◆            |
| 10       | 9900203061   | Terminal                          | ◆            |
| 11       | 9711431042   | Main PCB (Service) (for 30 model) | ◆            |
|          | 9711431059   | Main PCB (Service) (for 36 model) | ◆            |
| 12       | 313166024302 | Drain cap                         | ◆            |
| 13       | 9303029015   | Drain assy                        | ◆            |
| 14       | 9383871009   | Base assy                         | ◆            |
| 15       | 9383876004   | Service panel sub assy            | ◆            |
| 16       | 9383878008   | Front pipe cover                  | ◆            |
| 17       | 9351355005   | Emblem rear                       | ◆            |
| 18       | 9383863004   | Front panel assy                  | ◆            |
| 19       | 9383604003   | Blow grille                       | ◆            |
| 20       | 9383689000   | Blow grille insulation            | ◆            |
| 21       | 9383882005   | Left panel sub assy               | ◆            |
| 22       | 9383336003   | Propeller fan                     | ◆            |
| 23       | 9603732011   | Brushless motor                   | ◆            |
| 24       | 9383862007   | Motor bracket assy                | ◆            |
| 25       | 9374420612   | Condenser sub assy                | ◆            |
| <i>a</i> | —            | Separate wall assy                | —            |
| <i>b</i> | —            | Control box unit                  | —            |

# Compressor

TECHNICAL DATA  
AND PARTS LIST

TECHNICAL DATA  
AND PARTS LIST



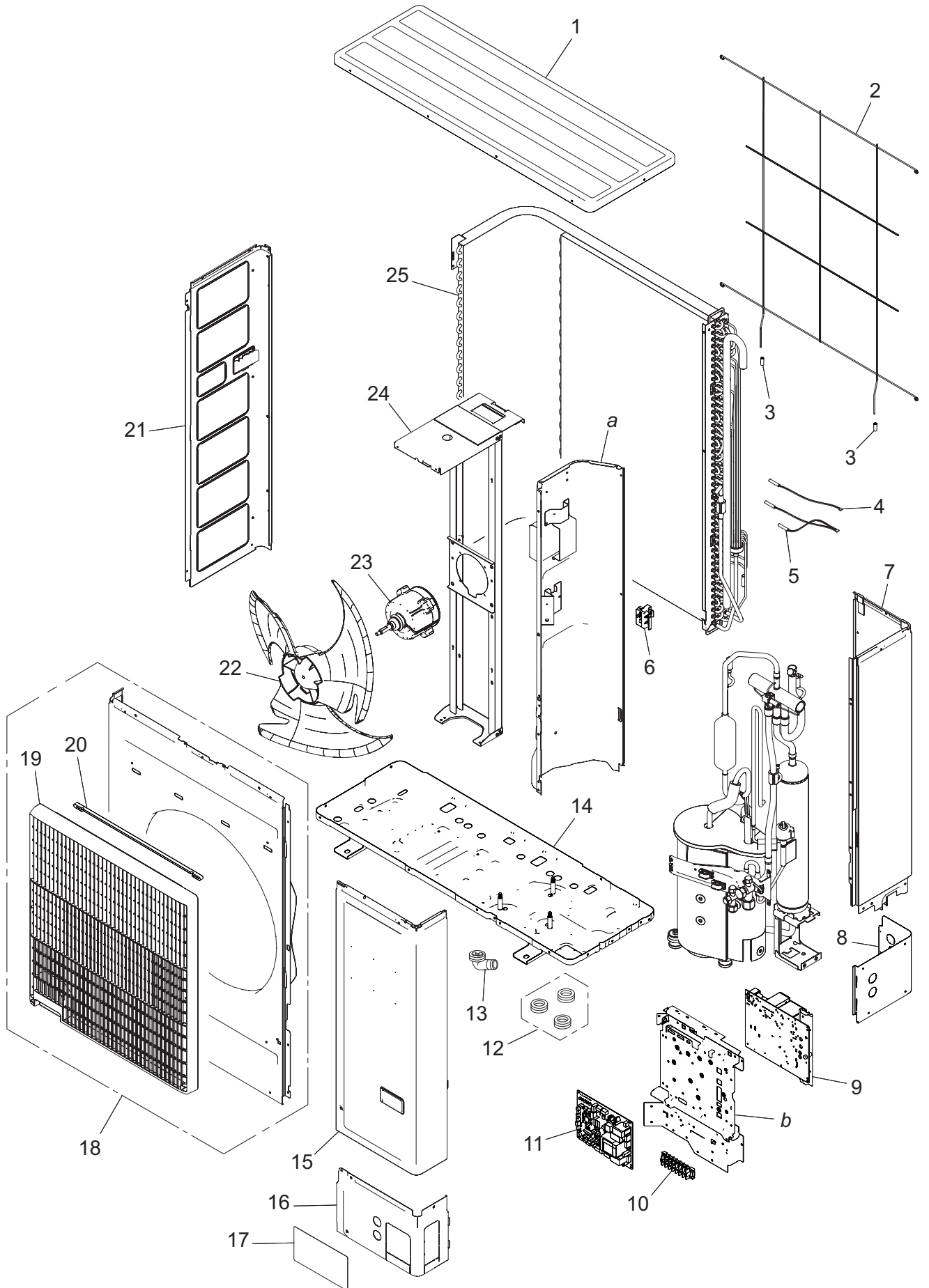
| Item no. | Part no.   | Part name                  | Service part |
|----------|------------|----------------------------|--------------|
| 50       | 9383858000 | Sound insulation unit      | ◆            |
| 51       | 9900565091 | Thermistor (Outdoor temp.) | ◆            |
| 52       | 9900186029 | Pressure switch            | ◆            |
| 53       | 9374425648 | 4-way valve assy           | ◆            |
| 54       | 9970194016 | Solenoid                   | ◆            |
| 55       | 9375250140 | Accumulator assy           | ◆            |
| 56       | 9970209000 | Expansion valve coil       | ◆            |
| 57       | 9370947328 | Expansion valve assy       | ◆            |
| 58       | 9379079013 | 3-way valve assy           | ◆            |
| 59       | 9377958037 | 3-way valve assy           | ◆            |
| 60       | 9900985035 | Thermistor (Compressor)    | ◆            |
| 61       | 9810028006 | Thermistor stopper         | ◆            |
| 62       | 9379179065 | Rubber washer C            | ◆            |
| 63       | 9377973016 | Special nut                | ◆            |
| 64       | 9383821004 | Compressor assy            | ◆            |
| <i>a</i> | —          | Thermostat holder          | —            |
| <i>b</i> | —          | Joint pipe D               | —            |
| <i>c</i> | —          | Accumulator holder A       | —            |
| <i>d</i> | —          | Wiring fixation unit       | —            |

# 4-3. Models: AOYG45KATA and AOYG54KATA

## Exterior parts and chassis

TECHNICAL DATA  
AND PARTS LIST

TECHNICAL DATA  
AND PARTS LIST



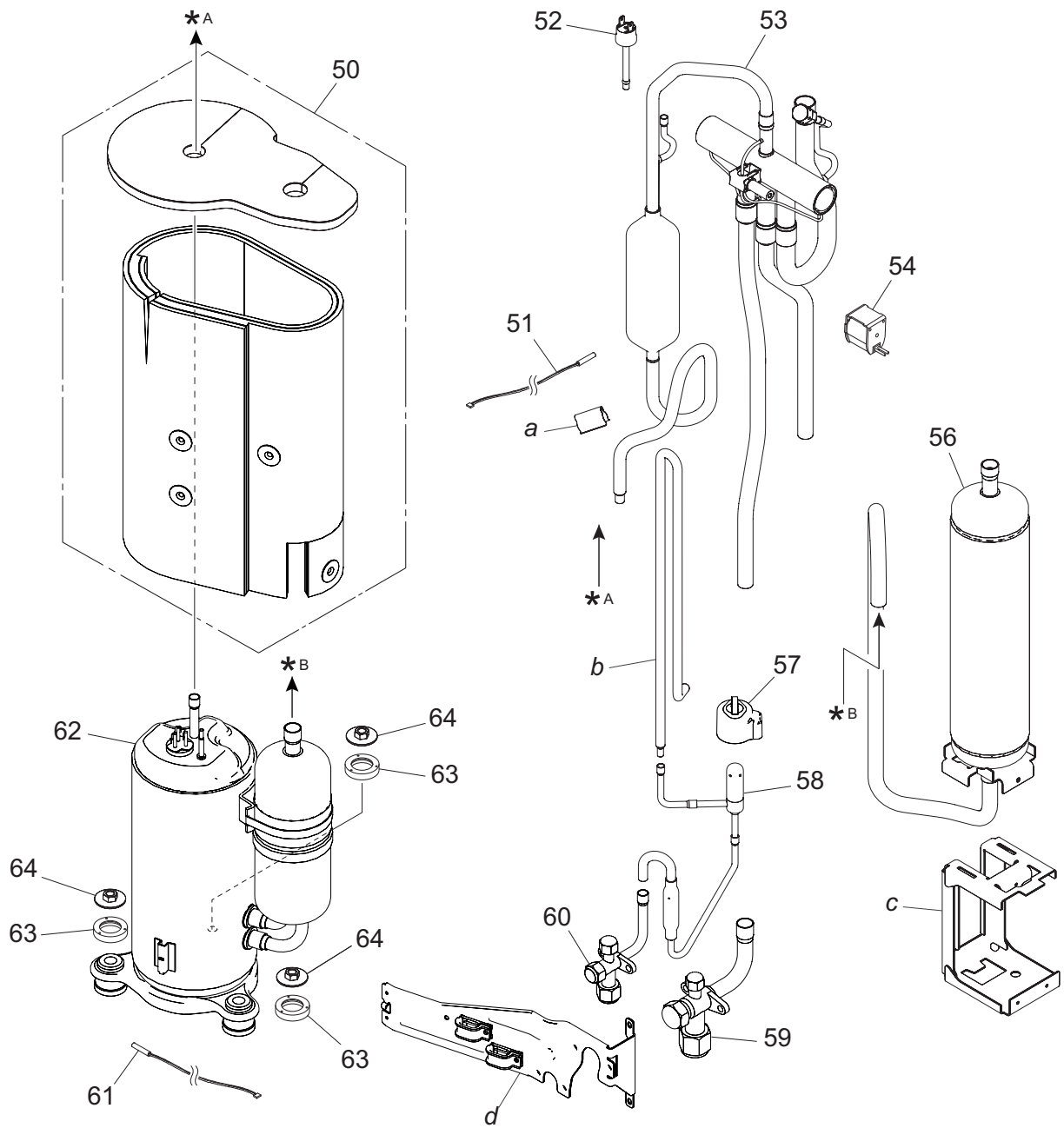


| Item no. | Part no.     | Part name                         | Service part |
|----------|--------------|-----------------------------------|--------------|
| 1        | 9383880001   | Top panel assy                    | ◆            |
| 2        | 9381013005   | Protective net                    | ◆            |
| 3        | 9375361013   | Net rubber                        | ◆            |
| 4        | 9900984038   | Thermistor (Heat exchanger)       | ◆            |
| 5        | 9900727154   | Thermistor assy                   | ◆            |
| 6        | 9383607004   | Thermo holder                     | ◆            |
| 7        | 9383874017   | Right panel sub assy              | ◆            |
| 8        | 9383879005   | Rear pipe cover                   | ◆            |
| 9        | 9711233028   | Inverter PCB (for 45 model)       | ◆            |
|          | 9711233011   | Inverter PCB (for 54 model)       | ◆            |
| 10       | 9900203061   | Terminal                          | ◆            |
| 11       | 9711431066   | Main PCB (Service) (for 45 model) | ◆            |
|          | 9711431158   | Main PCB (Service) (for 54 model) | ◆            |
| 12       | 313166024302 | Drain cap                         | ◆            |
| 13       | 9303029015   | Drain assy                        | ◆            |
| 14       | 9383871009   | Base assy                         | ◆            |
| 15       | 9383876011   | Service panel sub assy            | ◆            |
| 16       | 9383878008   | Front pipe cover                  | ◆            |
| 17       | 9351355005   | Emblem rear                       | ◆            |
| 18       | 9383863011   | Front panel assy                  | ◆            |
| 19       | 9383604003   | Blow grille                       | ◆            |
| 20       | 9383689000   | Blow grille insulation            | ◆            |
| 21       | 9383882012   | Left panel sub assy               | ◆            |
| 22       | 9383336003   | Propeller fan                     | ◆            |
| 23       | 9603733018   | Brushless motor                   | ◆            |
| 24       | 9383862021   | Motor bracket assy                | ◆            |
| 25       | 9374420636   | Condenser sub assy                | ◆            |
| <i>a</i> | —            | Separate wall assy                | —            |
| <i>b</i> | —            | Control box unit                  | —            |

# Compressor

TECHNICAL DATA  
AND PARTS LIST

TECHNICAL DATA  
AND PARTS LIST


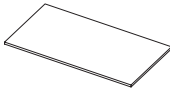
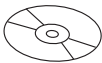
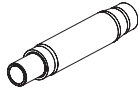






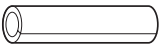

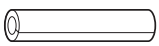


| Item no. | Part no.   | Part name                       | Service part |
|----------|------------|---------------------------------|--------------|
| 50       | 9383858017 | Sound insulation unit           | ◆            |
| 51       | 9900565091 | Thermistor (Outdoor temp.)      | ◆            |
| 52       | 9900186029 | Pressure switch                 | ◆            |
| 53       | 9374425662 | 4-way valve assy (for 45 model) | ◆            |
|          | 9374425655 | 4-way valve assy (for 54 model) | ◆            |
| 54       | 9970194016 | Solenoid                        | ◆            |
| 56       | 9375250157 | Accumulator assy                | ◆            |
| 57       | 9970209000 | Expansion valve coil            | ◆            |
| 58       | 9370947311 | Expansion valve assy            | ◆            |
| 59       | 9379079013 | 3-way valve assy                | ◆            |
| 60       | 9377958037 | 3-way valve assy                | ◆            |
| 61       | 9900985028 | Thermistor (Compressor)         | ◆            |
| 62       | 9383851032 | Compressor (for 45 model)       | ◆            |
|          | 9383851018 | Compressor (for 54 model)       | ◆            |
| 63       | 9379179058 | Rubber washer D                 | ◆            |
| 64       | 9377973016 | Special nut                     | ◆            |
| <i>a</i> | —          | Thermistor spring               | —            |
| <i>b</i> | —          | Joint pipe D                    | —            |
| <i>c</i> | —          | Accumulator holder A            | —            |
| <i>d</i> | —          | Wiring fixation unit            | —            |

## 5. Accessories


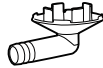
### 5-1. Indoor unit

#### ■ Models: AUXG24KRLB, AUXG30KRLB, AUXG36KRLB, AUXG45KRLB, and AUXG54KRLB





| Part name                       | Exterior  | Q'ty | Part name                  | Exterior  | Q'ty |
|---------------------------------|---|------|----------------------------|---|------|
| Operating manual                |    | 1    | Insulation                 |    | 1    |
| Operating manual (CD-ROM)       |    | 1    | Drain hose                 |    | 1    |
| Installation manual             |    | 1    | Hose band                  |    | 1    |
| Template (Carton top)           |    | 1    | Drain hose heat insulation |    | 1    |
| Washer                          |  | 8    | Cable tie (large)          |   | 4    |
| Coupler heat insulation (large) |  | 1    | Cable tie (small)          |  | 2    |
| Coupler heat insulation (small) |  | 1    |                            |   |      |

## 5-2. Outdoor unit

### ■ Model: AOYG24KATA

| Part name           | Exterior  | Q'ty | Part name  | Exterior  | Q'ty |
|---------------------|---|------|------------|---|------|
| Installation manual |  | 1    | Drain pipe |  | 1    |

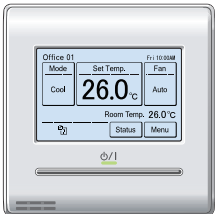
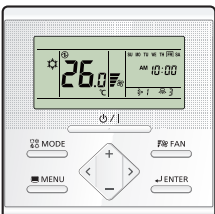
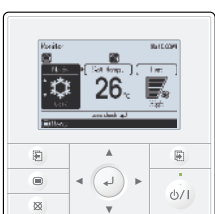
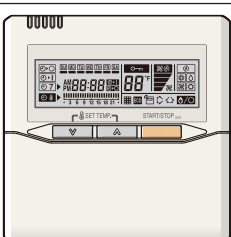

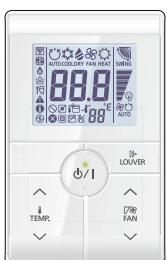
### ■ Models: AOYG30KATA, AOYG36KATA, AOYG45KATA, and AOYG54KATA


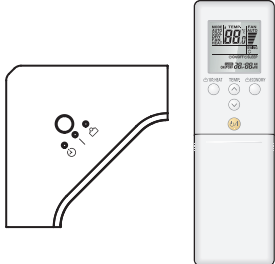
| Part name           | Exterior  | Q'ty | Part name      | Exterior  | Q'ty |
|---------------------|---|------|----------------|---|------|
| Installation manual |  | 1    | Drain cap      |  | 3    |
| Drain pipe          |  | 1    | One-touch bush |  | 2    |

## 6. Optional parts

### 6-1. Indoor unit

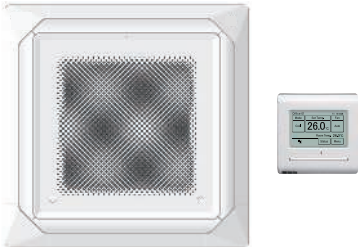

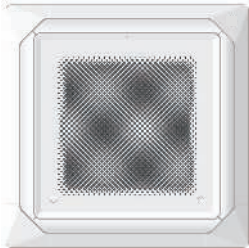
#### ■ Controllers

| Exterior  | Part name                | Model name | Summary  |
|---|--------------------------|------------|--|
|    | Wired remote controller  | UTU-RNRYZ* | Easy finger touch operation with LCD panel. Backlit LCD enables easy operation in a dark room.<br>Wire type: Non-polar 2-wire  |
|    | Wired remote controller  | UTU-RLRY   | High visibility and easy operation. Room temperature can be accurately controlled using the built-in thermo sensor.<br>Wire type: Non-polar 2-wire                     |
|   | Wired remote controller  | UTU-RVNYM  | Large and full-dot liquid crystal screen, wide and large keys easy to press, user-intuitive arrow key.<br>Wire type: Polar 3-wire                                      |
|  | Wired remote controller  | UTU-RNNYM  | Room temperature can be controlled by detecting the temperature accurately with built-in thermo sensor.<br>Wire type: Polar 3-wire                                     |
|  | Simple remote controller | UTU-RSRY   | Compact remote controller concentrates on the basic functions such as Start/Stop, fan control, temperature setting, and operation mode.<br>Wire type: Non-polar 2-wire |
|  | Simple remote controller | UTU-RHRY   | Compact remote controller concentrates on the basic functions such as Start/Stop, fan control, and temperature setting.<br>Wire type: Non-polar 2-wire                 |

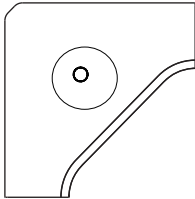
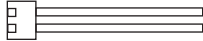

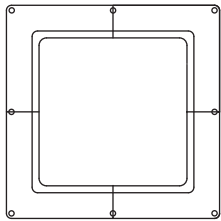
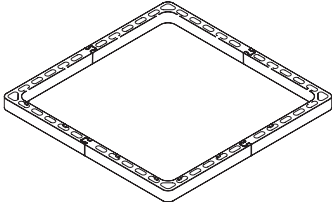

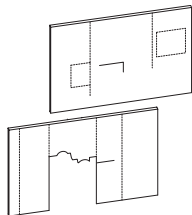
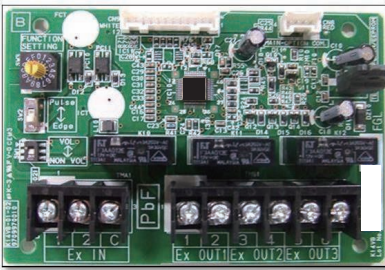
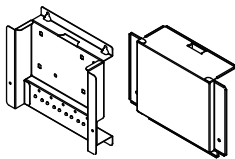
| Exterior  | Part name                                       | Model name | Summary  |
|---|---|------------|--|
|  | Simple remote controller                        | UTY-RSNYM  | Compact remote controller concentrates on the basic functions such as Start/Stop, fan control, temperature setting, and operation mode.<br>Wire type: Polar 3-wire |
|  | IR receiver kit with wireless remote controller | UTY-LBTYC  | Unit control is performed by wireless remote controller.   |

**NOTE:** Available functions may differ by the remote controller. For details, refer to the operation manual.





## ■ Cassette grille

| Exterior  | Part name       | Model name | Summary   |
|---|-----------------|------------|---|
|   | Cassette grille | UTG-UKYA-W | This cassette grille to blow airflow in 360° direction by unique seamless airflow louver design.<br>Wired remote controller (UTY-RNRYZ*) is included. |
|  | Cassette grille | UTG-UKYA-B | This cassette grille to blow airflow in 360° direction by unique seamless airflow louver design.<br>Black color model.                                |
|  | Cassette grille | UTG-UKYC-W | This cassette grille to blow airflow in 360° direction by unique seamless airflow louver design.  |

## Others

| Exterior  | Part name                         | Model name | Summary   |
|---|-----------------------------------|------------|---|
|    | Human sensor kit                  | UTY-SHZXC  | For circular flow cassette type.  |
|    | External connect kit              | UTY-XWZXZG | Use to connect with various peripheral devices and air conditioner PCB. For control output port.  |
|    | Air outlet shutter plate          | UTR-YDZK   | Installed at the air outlet when 3-directions mode is performed.  |
|    | Wide panel                        | UTG-AKXA-W | Hides the gap between the ceiling hole and the cassette grille.   |
|   | Panel spacer                      | UTG-BKXA-W | If there is not enough height in the ceiling space, by inserting this spacer between the cassette grille and the ceiling surface, the height of the unit body goes into the ceiling space become 50-mm lower. |
|  | Fresh-air intake kit              | UTZ-VXRA   | By attaching Fresh-air intake kit to the indoor unit, it can be taken in fresh air of up to 10% of "high" air volume of the indoor unit.  |
|  | Insulation for high humidity      | UTZ-KXRA   | Install when the under-roof condition is expected to be the humidity of over 80% and the temperature of over 30 °C.   |
|  | External input and output PCB     | UTY-XCSX   | Use to connect with external devices and air conditioner PCB.   |
|  | External input and output PCB box | UTZ-GXRA   | For installing the External input and output PCB.   |

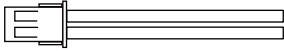


| Exterior  | Part name                  | Model name | Summary   |
|---|----------------------------|------------|---|
|  | Wireless LAN adapter       | UTY-TFSXZ1 | Remotely manage an air conditioning system using mobile devices such as smartphones and tablets.<br>For connection indoor unit with UART interface. |
|  | Modbus converter           | UTY-VMSX   | For connection between indoor unit with UART interface and a Modbus open network.   |
|  | KNX converter              | UTY-VKSX   | For connection between indoor unit with UART interface and a KNX open network.  |
|  | External switch controller | UTY-TERX   | Air conditioner switching can be controlled by connecting other external sensor switches.   |

**NOTE:** Combined use of following optional parts and Wireless LAN adapter (UTY-TFSXZ1) is not allowed.

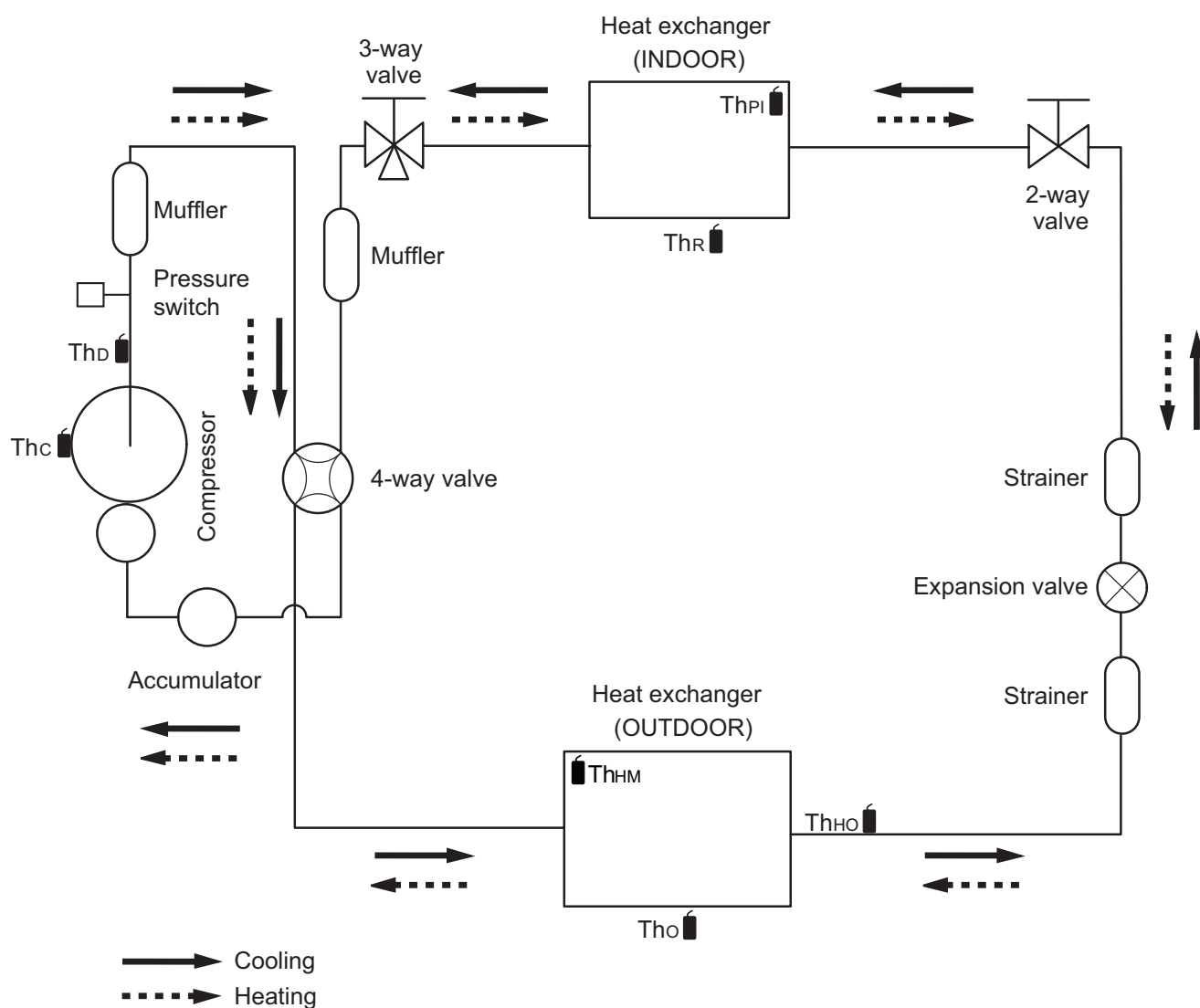
- External input and output PCB (UTY-XCSX)
- Modbus converter
- KNX converter

## 6-2. Outdoor unit

| Exterior  | Part name            | Model name | Summary   |
|---|----------------------|------------|---|
|  | External connect kit | UTY-XWZXZ3 | Use to operate the external input and output functions of outdoor unit. |

## 7. Refrigerant system diagrams

### 7-1. Model: AOYG24KATA

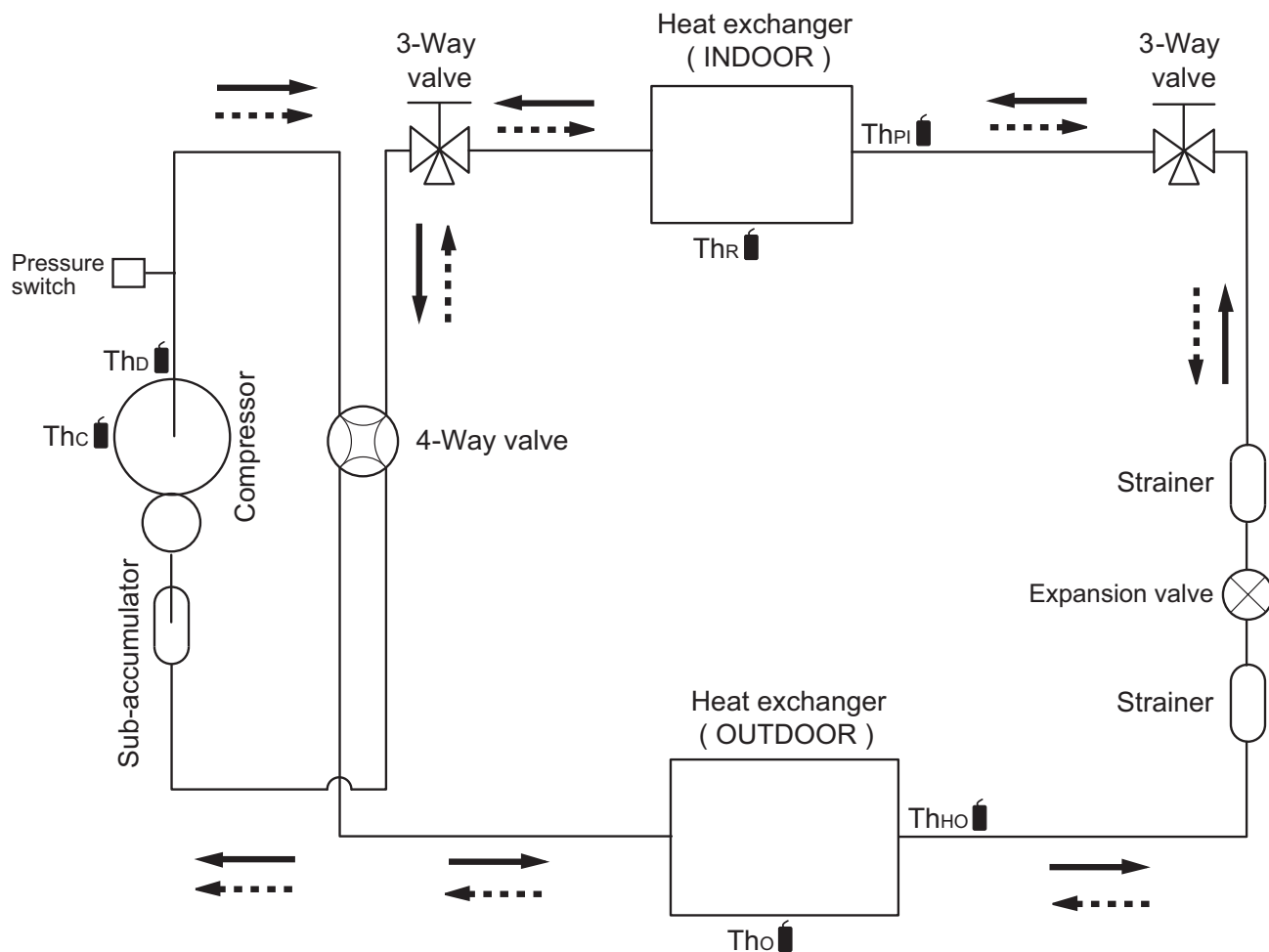


- Thc : Thermistor (Compressor temperature)  
 ThD : Thermistor (Discharge temperature)  
 Tho : Thermistor (Outdoor temperature)  
 ThHO : Thermistor (Heat exchanger out temperature)  
 ThHM : Thermistor (Heat exchanger middle temperature)  
 ThR : Thermistor (Room temperature)  
 ThPI : Thermistor (Pipe temperature)







## 7-2. Models: AOYG30KATA, AOYG36KATA, AOYG45KATA, and AOYG54KATA

TECHNICAL DATA  
AND PARTS LIST

TECHNICAL DATA  
AND PARTS LIST



—→ : Cooling  
 - - - - -→ : Heating

- Thc  : Thermistor (Compressor temperature)
- Thd  : Thermistor (Discharge temperature)
- Tho  : Thermistor (Outdoor temperature)
- ThHo  : Thermistor (Heat Exchanger Out temperature)
- ThR  : Thermistor (Room temperature)
- ThPI  : Thermistor (Pipe temperature)

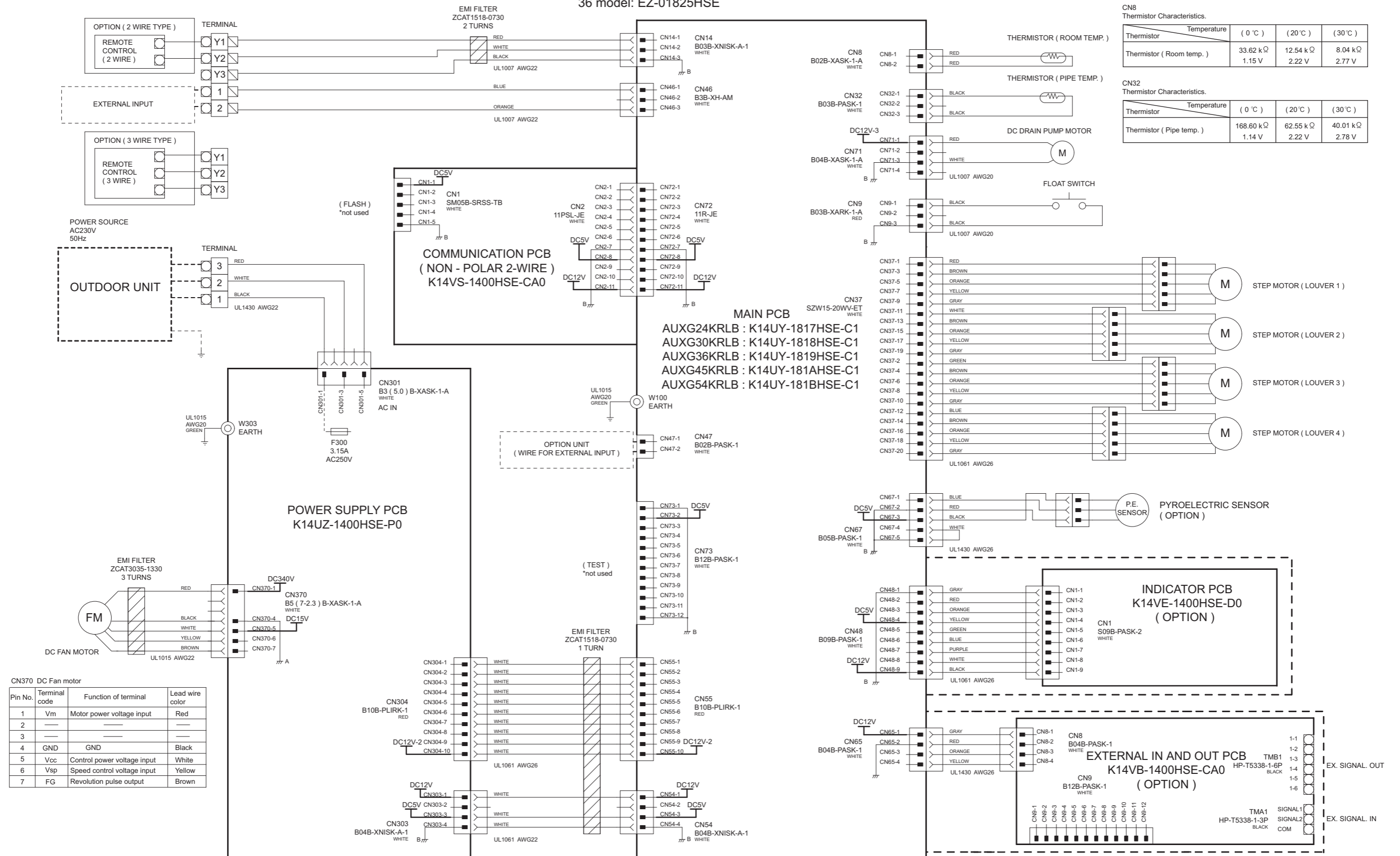
# 8. PC board diagrams

## 8-1. Models: AUXG24KRLB, AUXG30KRLB, AUXG36KRLB, AUXG45KRLB, and AUXG54KRLB

TECHNICAL DATA AND PARTS LIST

TECHNICAL DATA AND PARTS LIST

CONTROL UNIT  
 24 model: EZ-01823HSE    45 model: EZ-01826HSE  
 30 model: EZ-01824HSE    54 model: EZ-01827HSE  
 36 model: EZ-01825HSE



CN8 Thermistor Characteristics.

| Thermistor                | Temperature | ( 0 °C ) | ( 20 °C ) | ( 30 °C ) |
|---------------------------|-------------|----------|-----------|-----------|
| Thermistor ( Room temp. ) |             | 33.62 kΩ | 12.54 kΩ  | 8.04 kΩ   |
|                           |             | 1.15 V   | 2.22 V    | 2.77 V    |

CN32 Thermistor Characteristics.

| Thermistor                | Temperature | ( 0 °C )  | ( 20 °C ) | ( 30 °C ) |
|---------------------------|-------------|-----------|-----------|-----------|
| Thermistor ( Pipe temp. ) |             | 168.60 kΩ | 62.55 kΩ  | 40.01 kΩ  |
|                           |             | 1.14 V    | 2.22 V    | 2.78 V    |

CN370 DC Fan motor

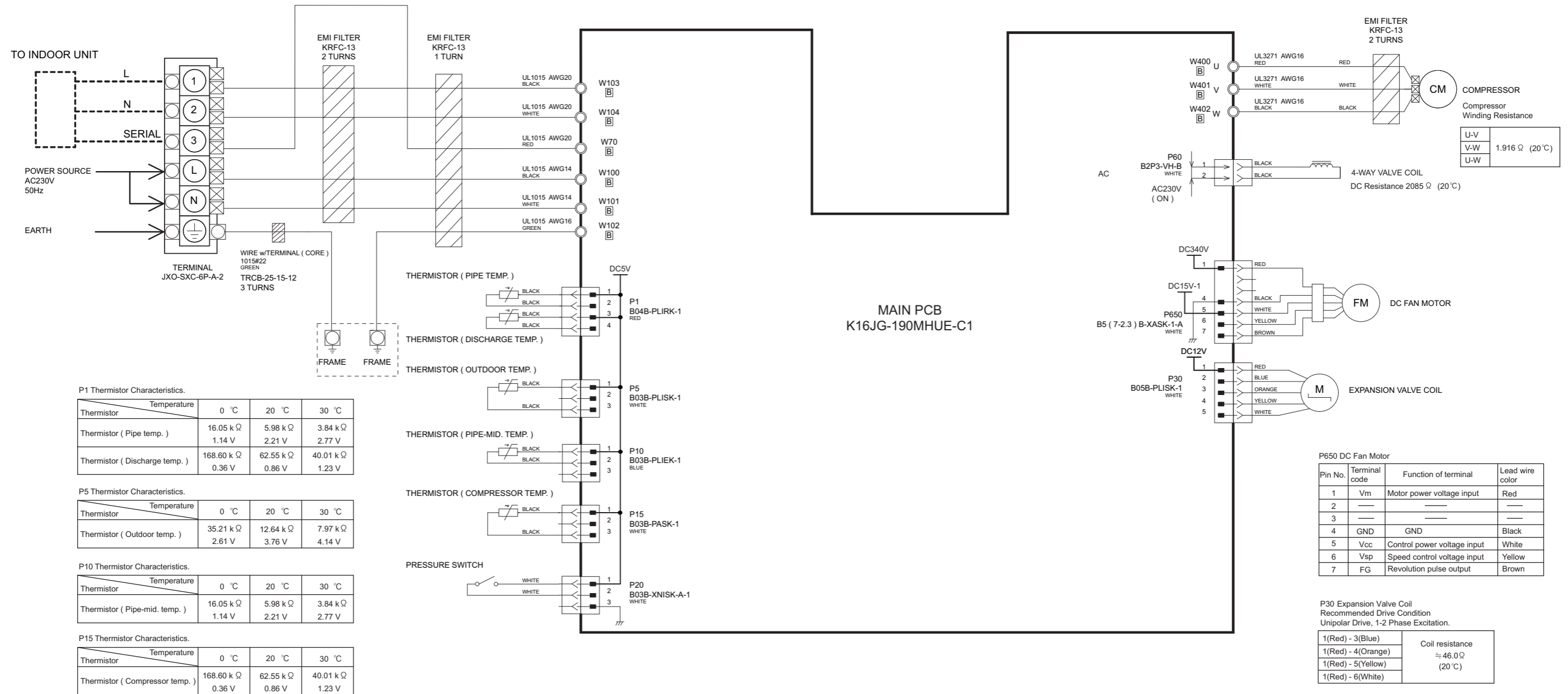
| Pin No. | Terminal code | Function of terminal        | Lead wire color |
|---------|---------------|-----------------------------|-----------------|
| 1       | Vm            | Motor power voltage input   | Red             |
| 2       | ---           | ---                         | ---             |
| 3       | ---           | ---                         | ---             |
| 4       | GND           | GND                         | Black           |
| 5       | Vcc           | Control power voltage input | White           |
| 6       | Vsp           | Speed control voltage input | Yellow          |
| 7       | FG            | Revolution pulse output     | Brown           |

# 8-2. Model: AOYG24KATA

## INVERTER ASSEMBLY EZ-019FHUE

TECHNICAL DATA  
AND PARTS LIST

TECHNICAL DATA  
AND PARTS LIST



# 8-3. Models: AOYG30KATA, AOYG36KATA, AOYG45KATA, and AOYG54KATA

## INVERTER ASSEMBLY

30 model: EZ-0190DHUE    45 model: EZ-0192HUE  
 36 model: EZ-0190DHUE    54 model: EZ-01907HUE

P700 Thermistor Characteristics.

| Thermistor                    | Temperature | 0 °C     | 20 °C    | 30 °C    |
|-------------------------------|-------------|----------|----------|----------|
| Thermistor                    |             | 0.33 k Ω | 0.12 k Ω | 0.08 k Ω |
| Thermistor ( Heatsink temp. ) |             | 4.10 V   | 4.62 V   | 4.75 V   |

