

AIR CONDITIONER

Duct type

SERVICE MANUAL

INDOOR



ARXG09KLLAP
ARXG12KLLAP
ARXG14KLLAP



ARXG18KLLAP

OUTDOOR



AOYG09KATA
AOYG12KATA



AOYG14KATA
AOYG18KATA

FUJITSU GENERAL LIMITED

Notices:

- Product specifications and design are subject to change without notice for future improvement.
- For further details, please check with our authorized dealer.

Trademarks

The following term and logo are trademarks of Fujitsu General Limited in the United States, other countries or both:

FGLair™



Android and Google Play are trademarks of Google Inc.

App Store is a service mark of Apple Inc., registered in the U.S. and other countries.

IOS is a trademark or registered trademark of Cisco in the U.S. and other countries and is used under license.

CONTENTS

1. GENERAL INFORMATION

2. TECHNICAL DATA AND PARTS LIST

1. GENERAL INFORMATION

CONTENTS

1. GENERAL INFORMATION

1. Specifications	01-1
1-1. Models: ARXG09KLLAP, ARXG12KLLAP, ARXG14KLLAP, and ARXG18KLLAP	01-1
1-2. Models: AOYG09KATA, AOYG12KATA, AOYG14KATA, and AOYG18KATA	01-3
2. Dimensions	01-4
2-1. Indoor unit	01-4
2-2. Outdoor unit.....	01-7

1. Specifications

1-1. Models: ARXG09KLLAP, ARXG12KLLAP, ARXG14KLLAP, and ARXG18KLLAP

Type				Duct				
				Inverter heat pump				
Model name				ARXG09KLLAP	ARXG12KLLAP	ARXG14KLLAP	ARXG18KLLAP	
Power supply				230 V ~ 50 Hz				
Power supply intake				Outdoor unit				
Available voltage range				198—264 V				
Capacity	Cooling	Rated	kW	2.5	3.5	4.3	5.2	
			Btu/h	8,500	11,900	14,700	17,700	
		Min.—Max.	kW	0.90—2.70	0.90—3.70	0.90—4.50	0.90—5.40	
	Heating	Rated	Btu/h	3,100—9,200	3,100—12,600	3,100—15,300	3,100—18,400	
			kW	3.2	4.1	5.0	6.0	
		Min.—Max.	Btu/h	10,900	14,000	17,000	20,500	
Input power	Cooling	Rated	kW	0.69	1.09	1.37	1.66	
			Max.	1.59	1.78	2.12	2.33	
		Heating	Rated	0.88	1.17	1.42	1.71	
	Current	Cooling	Rated	A	3.4	5.2	6.4	7.6
				Heating	4.4	5.8	6.6	7.9
		Power factor	Cooling		88.2	91.1	93.1	95.0
EER	Cooling		kW/kW	87.0	87.7	93.5	94.1	
				3.62	3.21	3.14	3.13	
COP	Heating		kW/kW	3.64	3.50	3.52	3.51	
				Moisture removal	L/h (pints/h)	0.7 (1.2)	1.3 (2.3)	1.5 (2.6)
Maximum operating current *1	Cooling		A	6.9	7.7	9.2	10.1	
	Heating		A	6.9	7.7	9.2	10.1	
Fan	Airflow rate	Cooling	HIGH	600	650	800	940	
			MED	550	600	700	880	
			LOW	500	550	600	820	
			QUIET	450		480	750	
		Heating	HIGH	600	650	800	940	
			MED	550	600	700	880	
			LOW	500	550	600	820	
			QUIET	450		480	750	
	Type × Q'ty				Sirocco fan × 2		Sirocco fan × 3	
	Motor output			W	81			
Recommended static pressure range			Pa	0 to 90				
Sound pressure level *2	Cooling	HIGH	dB (A)	28	29		32	
		MED		27	28		30	
		LOW			26		28	29
		QUIET			25		26	27
	Heating	HIGH	28	29			32	
		MED	26	28			30	
		LOW		25		28	29	
		QUIET		24		25	27	
Heat exchanger type	Dimensions (H × W × D)		mm	294 × 500 × 39.9			294 × 700 × 39.9	
	Fin pitch			1.3				
	Rows × Stages			3 × 14				
	Pipe type			Copper tube				
	Fin type			Aluminum				
Enclosure	Material			Steel sheet				
	Color			—				
Dimensions (H × W × D)	Net	mm		198 × 700 × 620		198 × 900 × 620		
	Gross			276 × 968 × 772		276 × 1,168 × 772		
Weight	Net	kg		17		20		
	Gross			22		26		
Connection pipe	Size	Liquid	mm (in)	Ø 6.35 (Ø 1/4)				
		Gas		Ø 9.52 (Ø 3/8)				
	Method			Flare				
Drain hose	Material			PVC				
	Size	mm		Ø 25 (I.D.), Ø 32 (O.D.)				
Operation range	Cooling	°C		18 to 32				
		%RH		80 or less				
Remote control (Option)	Heating	°C		16 to 30				
				Wired remote controller, Wireless remote controller, Mobile app*3 (FGLair™)				

NOTES:

- Specifications are based on the following conditions:
 - Cooling: Indoor temperature of 27 °CDB/19 °CWB, and outdoor temperature of 35 °CDB/24 °CWB.
 - Heating: Indoor temperature of 20 °CDB/15 °CWB, and outdoor temperature of 7 °CDB/6 °CWB.
 - Standard static pressure: 25 Pa
 - Pipe length: 5.0 m, Height difference: 0 m. (Between outdoor unit and indoor unit.)
- Protective function might work when using it outside the operation range.
- *1: Maximum operating current is the total current of the indoor unit and the outdoor unit.
- *2: Sound pressure level:
 - Measured values in manufacturer's anechoic chamber.
 - Because of the surrounding sound environment, the sound levels measured in actual installation conditions might be higher than the specified values here.
- *3: Available on Google Play™ store or on App Store®. Optional WLAN adapter is also required. For details, refer to the setting manual.

Specifications for ErP Lot10							
Model name		ARXG09KLLAP	ARXG12KLLAP	ARXG14KLLAP	ARXG18KLLAP		
Energy efficiency class	Cooling	A ⁺					
	Heating (Average)	A					
Pdesign	Cooling	kW	2.5 (35°C)	3.5 (35°C)	4.3 (35°C)	5.2 (35°C)	
	Heating (Average)		2.3 (-10°C)	2.8 (-10°C)	3.2 (-10°C)	3.8 (-10°C)	
SEER	Cooling	kWh/kWh	5.90	5.80	5.60	5.80	
SCOP	Heating (Average)		3.80				
Annual energy consumption	QCE	kWh/a	148	211	269	313	
	QHE (Average)		847	1,031	1,177	1,398	
Sound power level	Cooling	HIGH	dB (A)	57	58	60	58
	Heating			57	58	60	58

1-2. Models: AOYG09KATA, AOYG12KATA, AOYG14KATA, and AOYG18KATA

Type			Inverter heat pump			
Model name			AOYG09KATA	AOYG12KATA	AOYG14KATA	AOYG18KATA
Power supply			230 V ~ 50 Hz			
Available voltage range			198—264 V			
Starting current			4.4	5.8	6.6	7.9
Fan	Airflow rate	Cooling	1,610	1,630	1,670	1,710
		Heating	1,550	1,410	1,580	1,840
	Type × Q'ty		Propeller fan × 1			
Motor output		W	23			
Sound pressure level *1	Cooling	dB (A)	47	49	50	51
	Heating		48	50	51	52
Sound power level	Cooling	dB (A)	60	62	63	
	Heating		60	62	63	64
Heat exchanger type	Dimensions (H × W × D)	mm	504 × 650 × 18.19	Main 1: 504 × 630 × 18.19 Main 2: 504 × 630 × 18.19	Main 1: 504 × 881 × 18.19 Main 2: 504 × 851 × 18.19	
	Fin pitch		1.3	Main 1: 1.3 Main 2: 1.3		
	Rows × Stages		1 × 24	Main 1: 1 × 24 Main 2: 1 × 24		
	Pipe type		Copper tube			
	Fin type	Type (Material) Surface treatment		Aluminum PC fin		
Compressor	Type × Q'ty		DC rotary × 1			
	Motor output	W	550		900	
Refrigerant	Type (Global warming potential)		R32 (675)			
	Charge	g	600	700	850	900
Refrigerant oil	Type		RB74AF		RB68A	
	Amount	cm ³	240		340	
Enclosure	Material		Steel sheet			
	Color		Beige Approximate color of Munsell 10YR 7.5/1.0			
Dimensions (H × W × D)	Net	mm	541 × 663 × 290		542 × 799 × 290	
	Gross		602 × 804 × 375		602 × 940 × 375	
Weight	Net	kg	23	25	32	33
	Gross		27	29		36
Connection pipe	Size	Liquid Gas	mm (in)			
			Ø 6.35 (Ø 1/4)			
			Ø 9.52 (Ø 3/8)			
			Ø 12.70 (Ø 1/2)			
	Method		Flare			
Pre-charge length			15			
	Max. length	m	15		20	
	Max. height difference		15			
Operation range	Cooling	°C	-10 to 46			
	Heating		-15 to 24			
Drain hose	Material		PP			
	Size	mm	Ø 13.0 (I. D.), Ø 16.0 to Ø 16.8 (O. D.)			

NOTES:

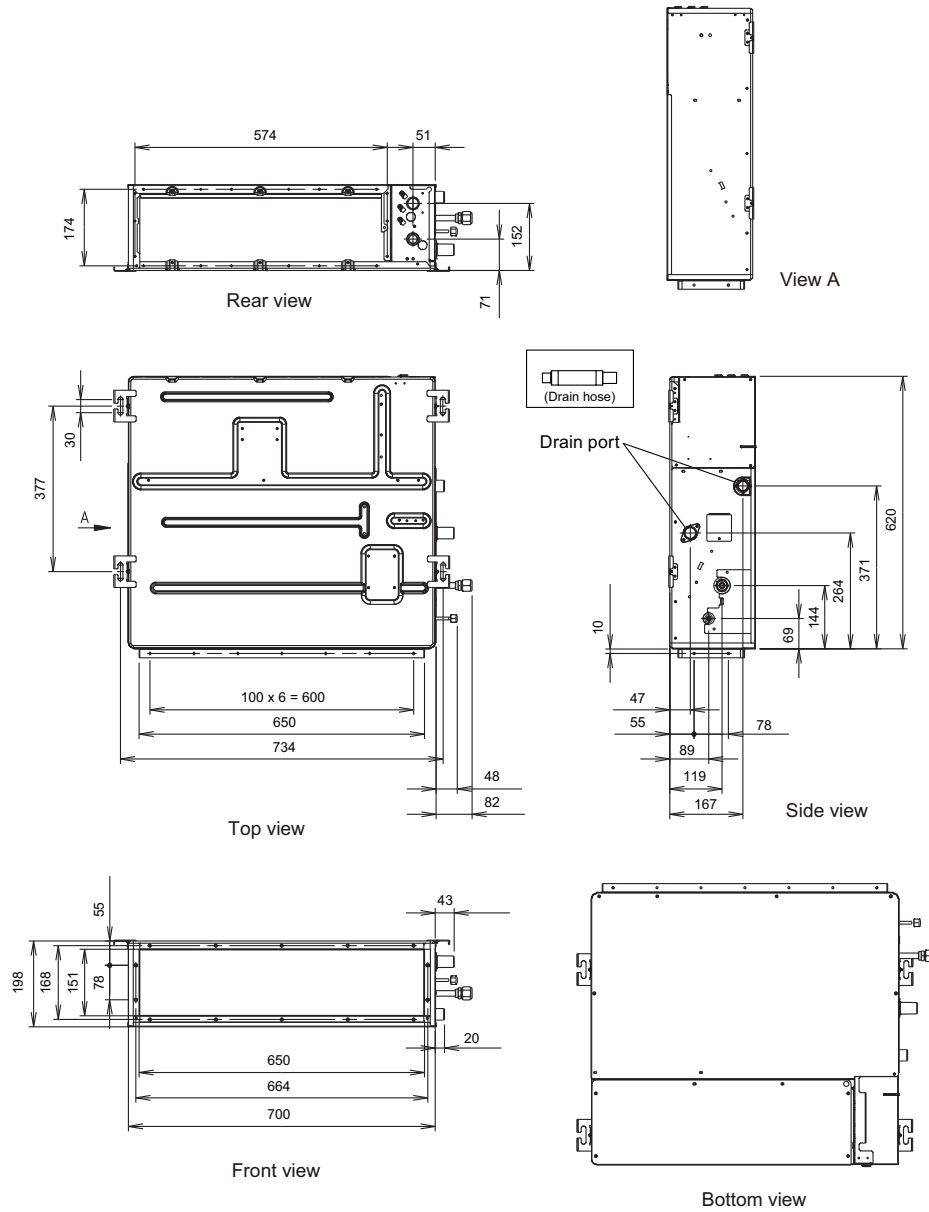
- Specifications are based on the following conditions:
 - Cooling: Indoor temperature of 27 °CDB/19 °CWB, and outdoor temperature of 35 °CDB/24 °CWB.
 - Heating: Indoor temperature of 20 °CDB/15 °CWB, and outdoor temperature of 7 °CDB/6 °CWB.
 - Pipe length: 5.0 m, Height difference: 0 m (Between outdoor unit and indoor unit).
- Protective function might work when using it outside the operation range.
- *1: Sound pressure level
 - Measured values in manufacturer's anechoic chamber.
 - Because of the surrounding sound environment, the sound levels measured in actual installation conditions might be higher than the specified values here.

2. Dimensions

2-1. Indoor unit

■ Models: ARXG09KLLAP, ARXG12KLLAP, and ARXG14KLLAP

Unit: mm

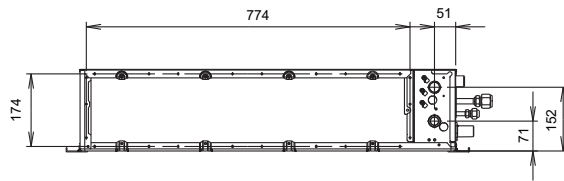


■ Model: ARXG18KLLAP

GENERAL INFORMATION

GENERAL INFORMATION

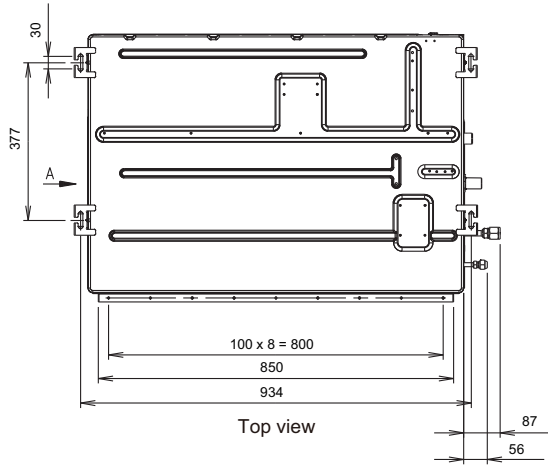
Unit: mm



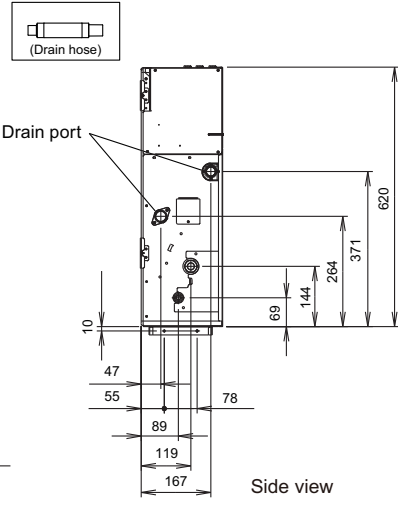
Rear view



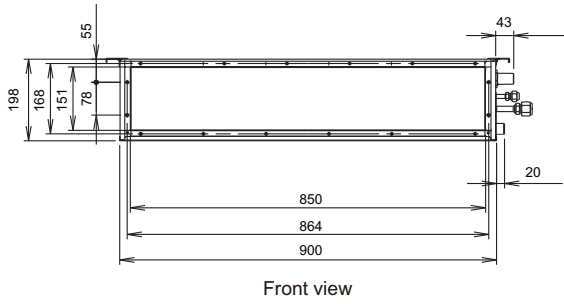
View A



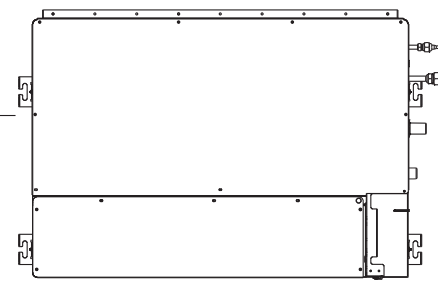
Top view



Side view



Front view

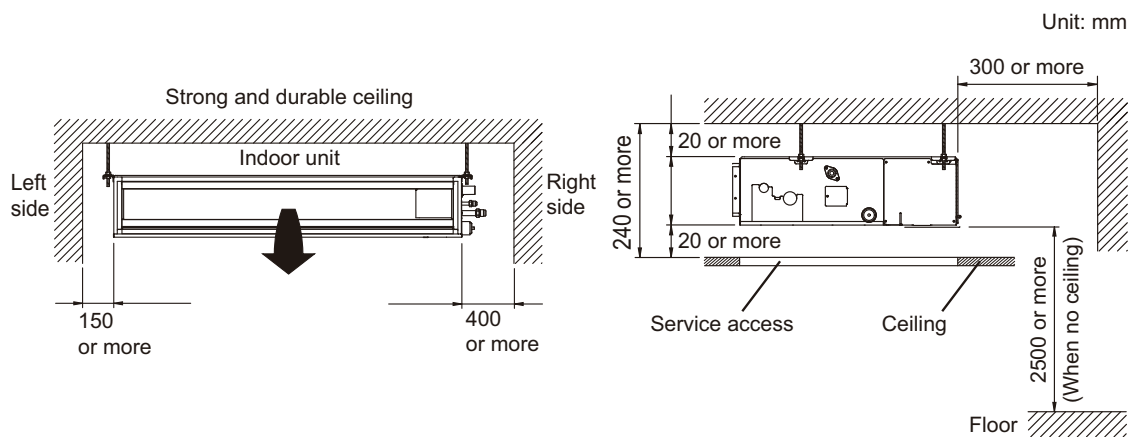


Bottom view

■ Installation space requirement

Provide sufficient installation space for product safety.

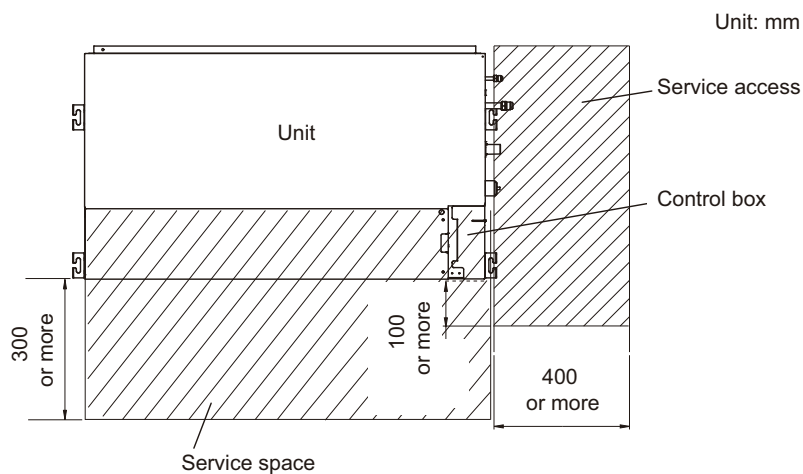
In ceiling-concealed installations:



■ Maintenance space requirement

For future maintenance and service access, provide sufficient maintenance space.

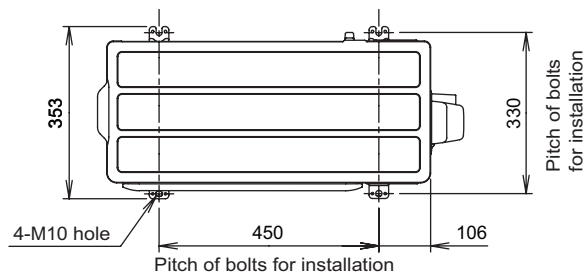
NOTE: Do not place any wiring or illumination in the maintenance space, as they will impede service.



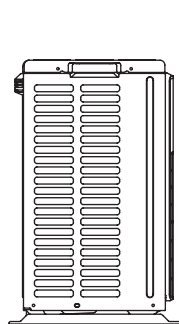
2-2. Outdoor unit

■ AOYG09KATA and AOYG12KATA

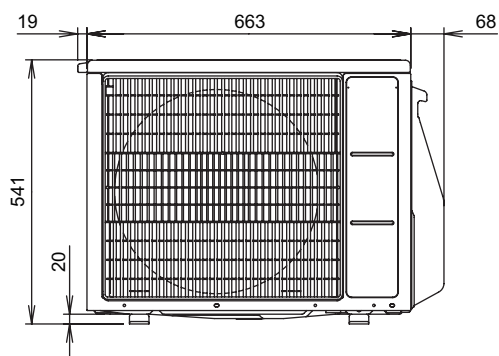
Unit: mm



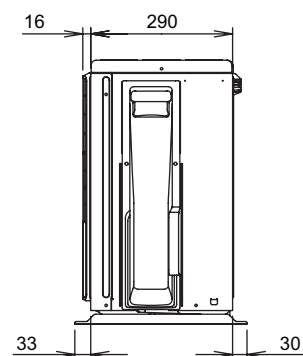
Top view



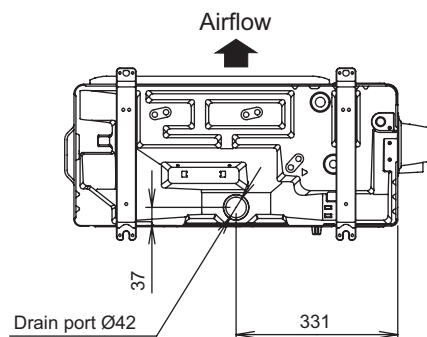
Side view



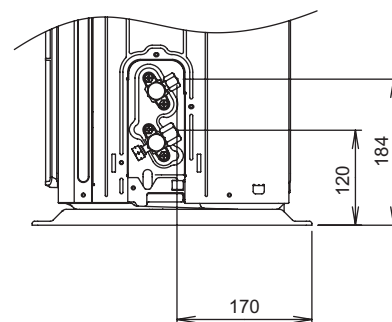
Front view



Side view



Bottom view



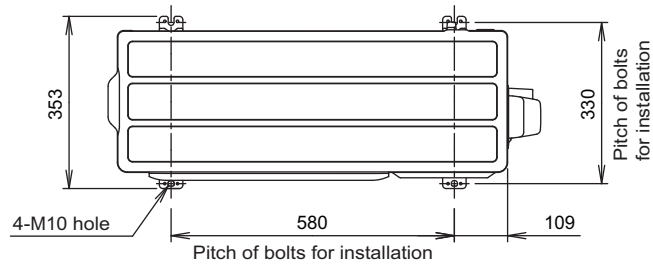
Side view (Valve part)

■ AOYG14KATA and AOYG18KATA

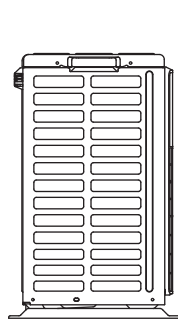
Unit: mm

GENERAL INFORMATION

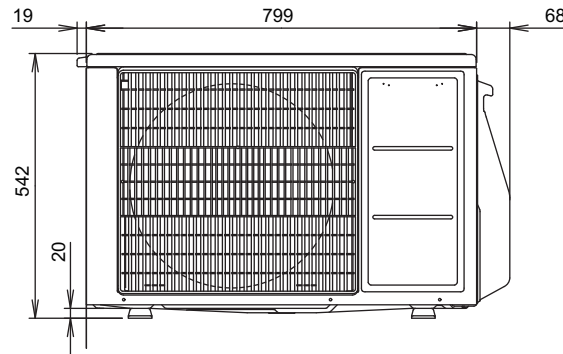
GENERAL INFORMATION



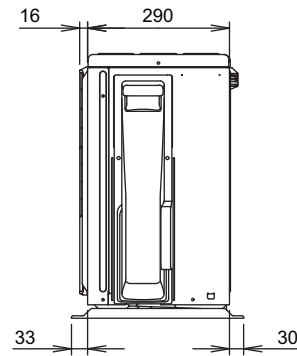
Top view



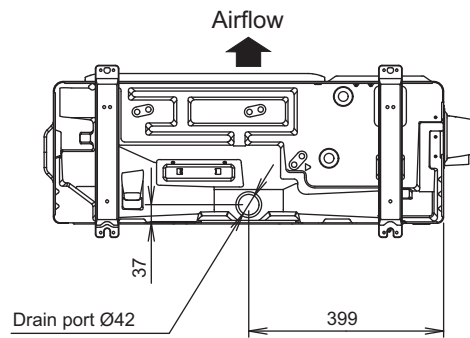
Side view



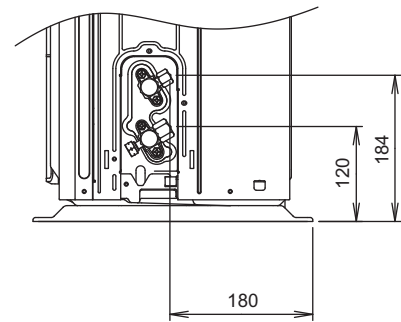
Front view



Side view



Bottom view



Side view (Valve part)

2. TECHNICAL DATA AND PARTS LIST

CONTENTS

2. TECHNICAL DATA AND PARTS LIST

1. Precautions	02-1
2. Indoor unit parts list	02-2
2-1. Models: ARXG09KLLAP, ARXG12KLLAP, and ARXG14KLLAP	02-2
2-2. Model: ARXG18KLLAP	02-5
3. Outdoor unit parts list	02-8
3-1. Models: AOYG09KATA and AOYG12KATA.....	02-8
3-2. Models: AOYG14KATA and AOYG18KATA.....	02-12
4. Accessories	02-16
4-1. Indoor unit	02-16
4-2. Outdoor unit.....	02-17
5. Optional parts	02-18
5-1. Indoor unit	02-18
6. Refrigerant system diagrams	02-21
6-1. Models: AOYG09KATA and AOYG12KATA.....	02-21
6-2. Models: AOYG14KATA and AOYG18KATA.....	02-22
7. Wiring diagrams	02-23
7-1. Indoor unit	02-23
7-2. Outdoor unit.....	02-24
8. PC board diagrams	02-25
8-1. Models: ARXG09KLLAP, ARXG12KLLAP, ARXG14KLLAP, and ARXG18KLLAP	02-25
8-2. Models: AOYG09KATA, AOYG12KATA, AOYG14KATA, and AOYG18KATA	02-26

1. Precautions

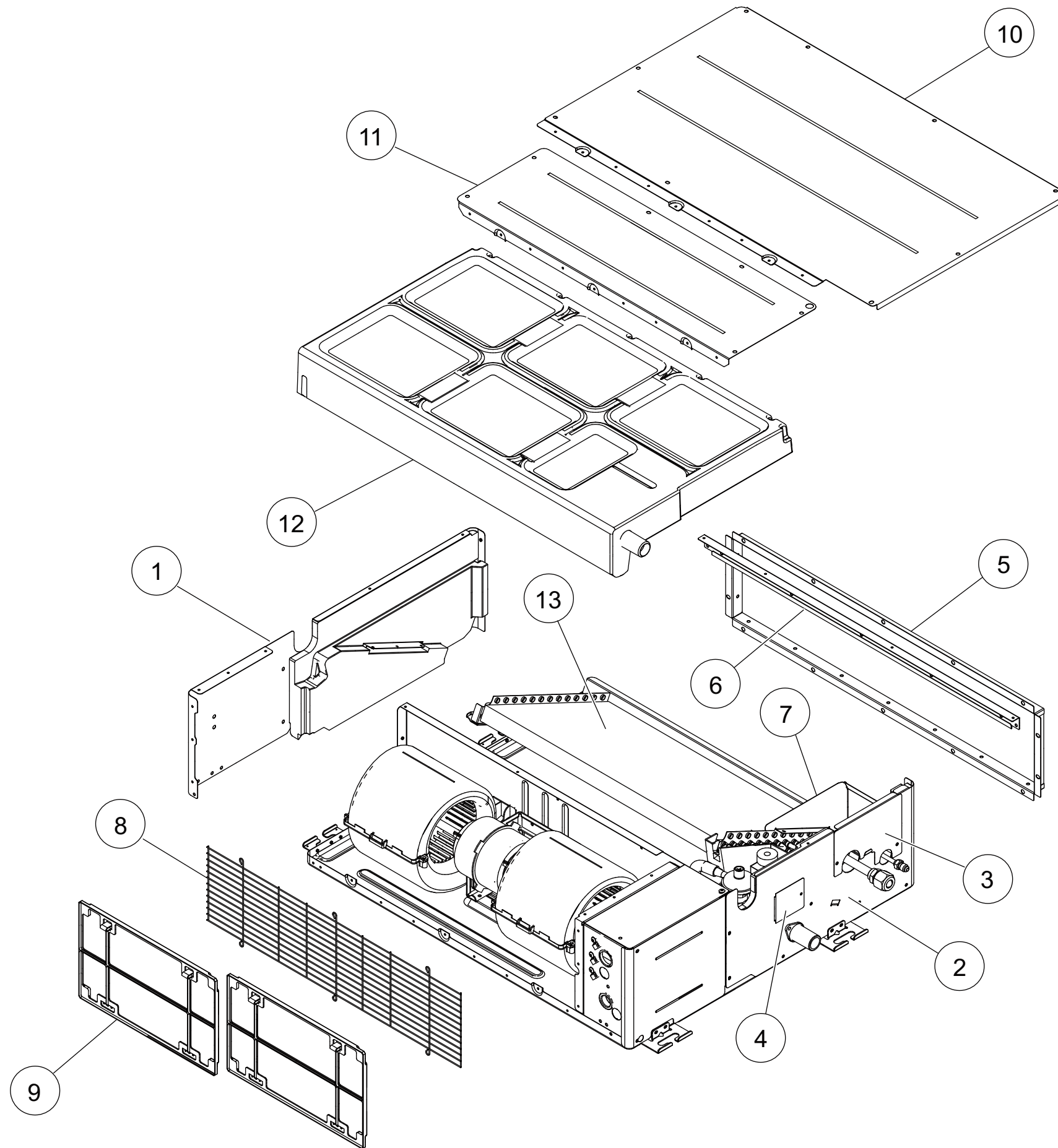
When you start servicing, pay attention to the following points. For detailed precautions, refer to the installation manual of the products.

⚠ CAUTION

-
- Service personnel
 - Any person who is involved with working on or breaking into a refrigerant circuit should hold a current valid certificate from an industry-accredited assessment authority, which authorizes their competence to handle refrigerants safely in accordance with an industry recognized assessment specification.
 - Servicing shall only be performed as recommended by the equipment manufacturer. Maintenance and repair requiring the assistance of other skilled personnel shall be carried out under the supervision of the person competent in the use of flammable refrigerants.
 - Servicing shall be performed only as recommended by the manufacturer.
 - Work
 - Prior to beginning work on systems containing flammable refrigerants, safety checks are necessary to ensure that the risk of ignition is minimized. When repairing the refrigerant system, refer to the precautions written in the installation manual of the products before you start servicing.
 - Work shall be undertaken under a controlled procedure so as to minimize the risk of a flammable gas or vapor being present while the work is being performed.
 - All maintenance staff and others working in the local area shall be instructed on the nature of work being carried out.
 - Work in confined spaces shall be avoided.
 - The area around the workspace shall be sectioned off.
 - Ensure that the conditions within the area have been made safe by control of flammable material.
 - Checking for presence of refrigerant
 - The area shall be checked with an appropriate refrigerant detector prior to and during work, to ensure the technician is aware of potentially flammable atmospheres.
 - Ensure that the leak detection equipment being used is suitable for use with flammable refrigerants, i.e. non-sparking, adequately sealed or intrinsically safe.
-
- Service parts information and design are subject to change without notice for product improvement.
 - For the latest information of the service parts, refer to our Service Portal.
<https://fujitsu-general.force.com/portal/>
 - Precise figure of the service parts listed in this manual may differ from the actual service parts.

2. Indoor unit parts list

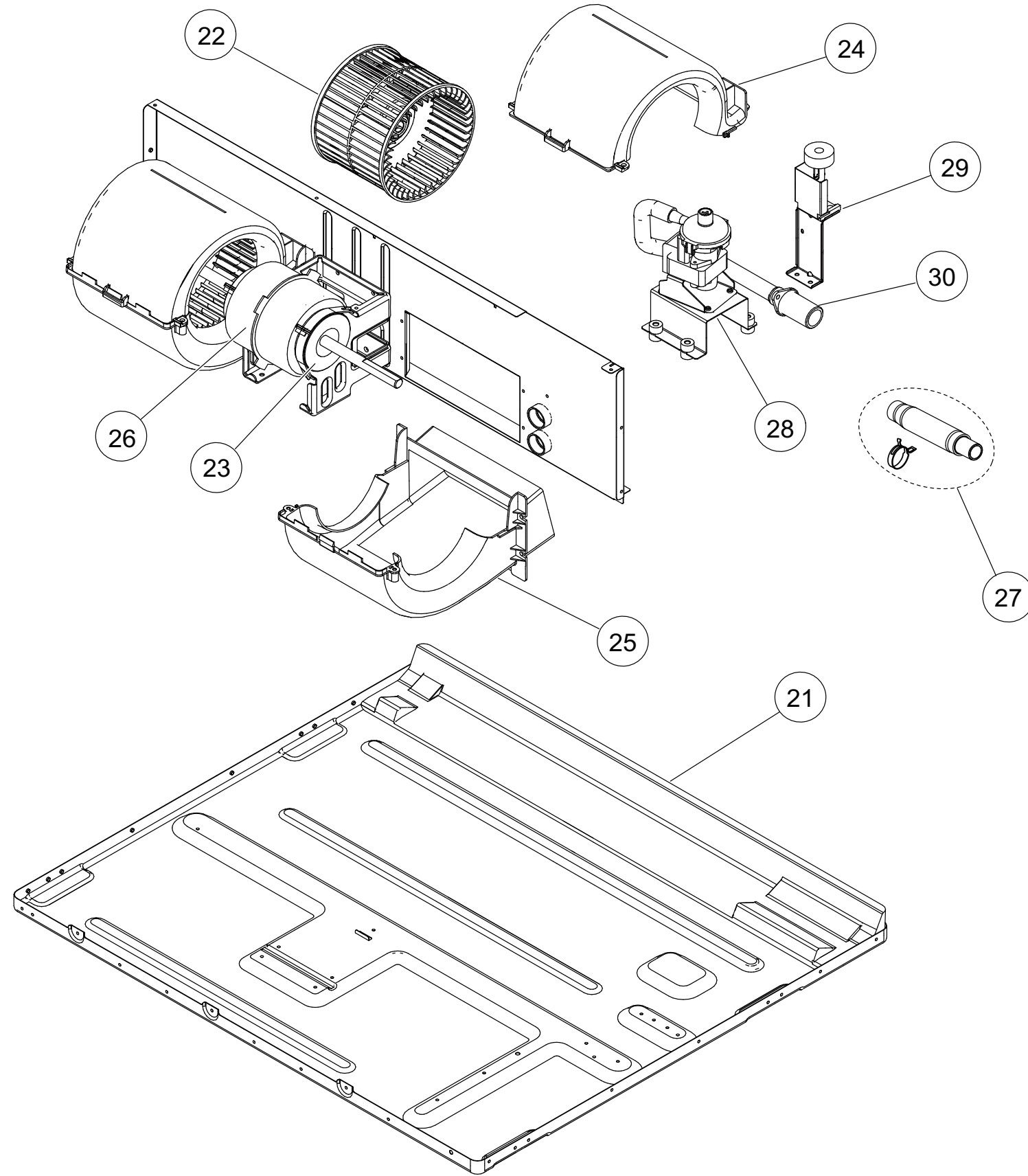
2-1. Models: ARXG09KLLAP, ARXG12KLLAP, and ARXG14KLLAP



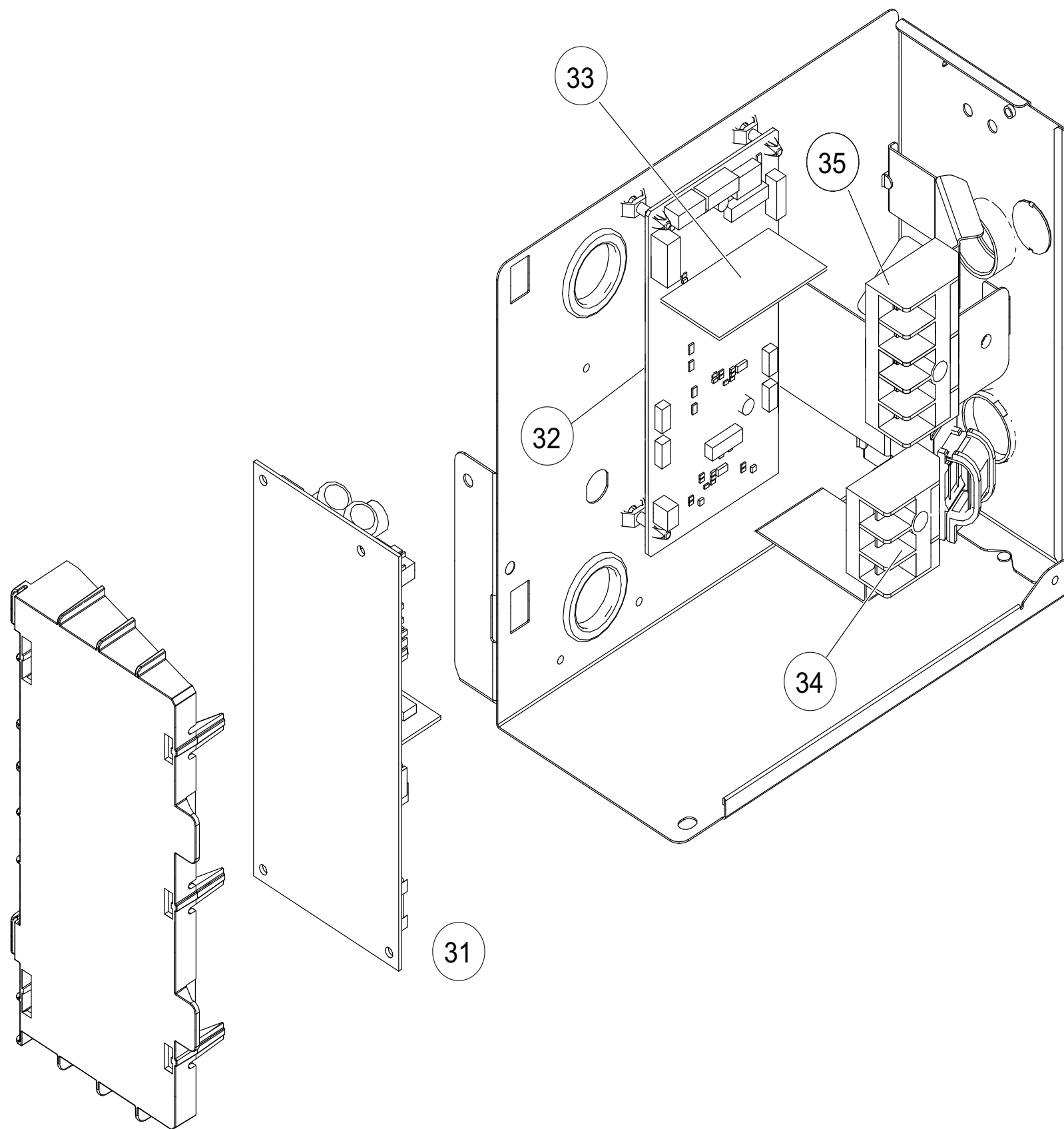
Ref	Description	Parts number
1	Side Panel R Sub Assy	9379906012
2	Side Panel L Sub Assy	9379907019
3	Pipe Panel Sub Assy	9379900003
4	Panel (Window) Sub Assy	9379915007
5	Outlet Frame Assy	9380042006
6	Front Panel (2 Fan)	9380594000
7	Valve Cover Sub Assy	9379576017
8	Fan Guard (2 Fan)	9380589006
9	Air Filter	9379574006
10	Main Panel (2 Fan)	9380602019
11	Cabinet Panel (2 Fan)	9380597001
12	Drain Pan Sub Assy	9381209002
13	Evaporator Total Assy (07)	9380682509
13	Evaporator Total Assy (09, 12, 14)	9380682486

TECHNICAL DATA
AND PARTS LIST

TECHNICAL DATA
AND PARTS LIST

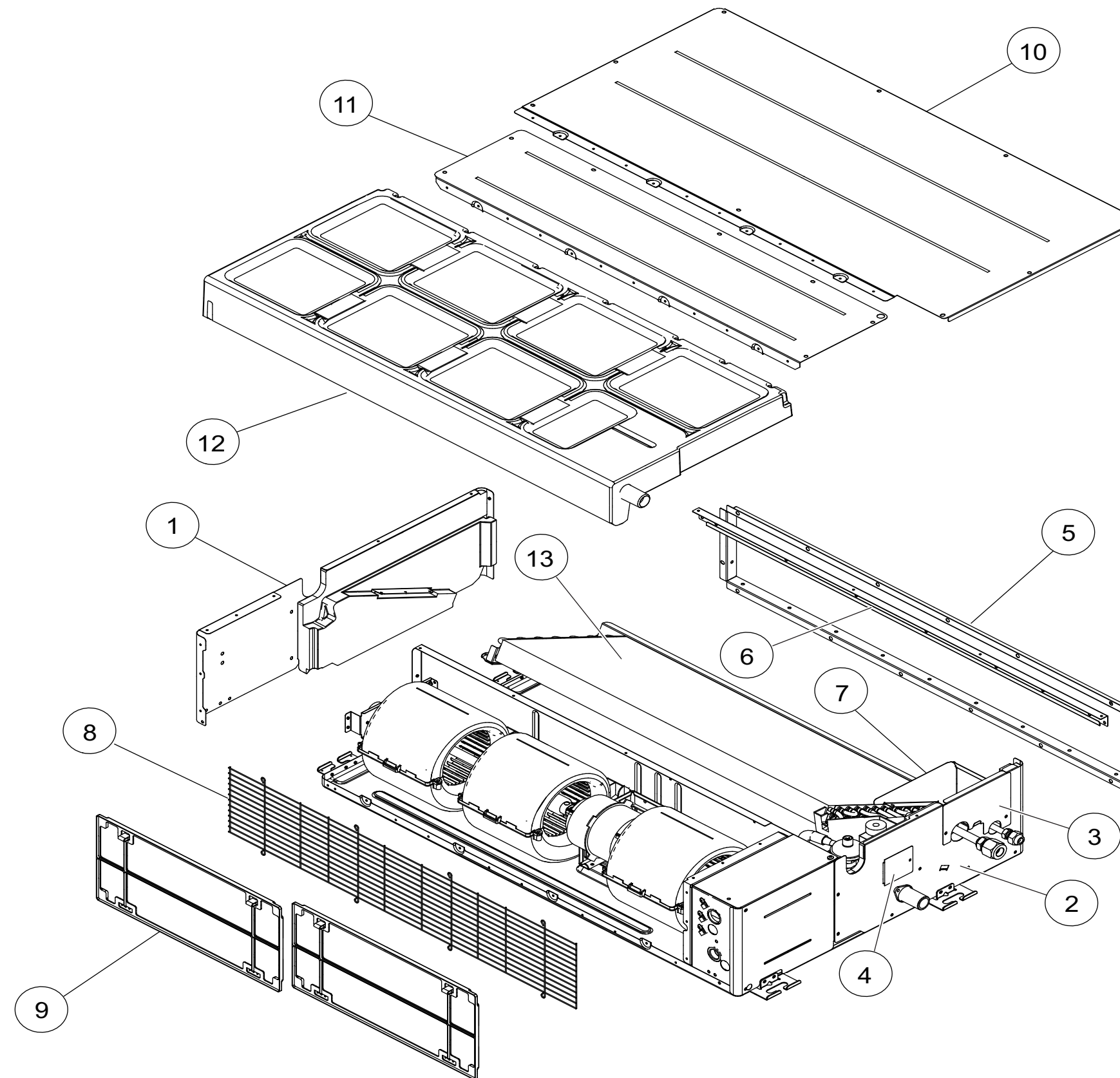


Ref	Description	Parts number
21	Top Panel Sub Assy	9379908030
22	Sirroco Fan Assy	9379570015
23	Rubber (Vibration Proof)	9379644006
24	Casing B	9379572019
25	Casing U	9379571012
26	Fan Motor Assy (07)	9379047166
26	Fan Motor Assy (09, 12, 14)	9379047159
27	Hose Sub Assy	9378450097
28	Drain Pump Sub Assy	9379914062
29	Float Switch Sub Assy	9378593039
30	Drain Hose Assy	9379913003

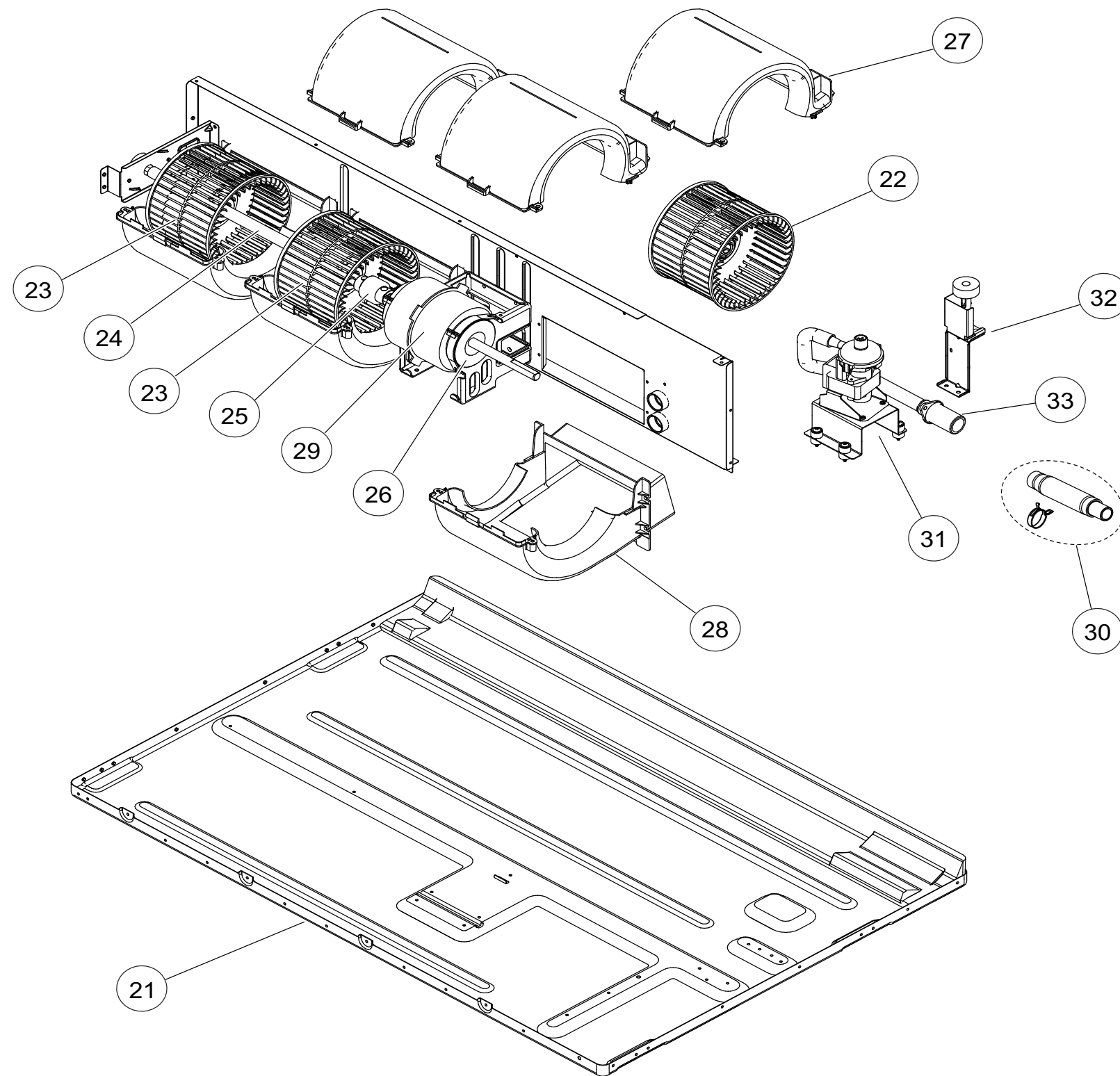


Ref	Description	Parts number
31	Power Supply PCB	9710661006
32	Main PCB (ARXG07KLLAP)	9710624308
32	Main PCB (ARXG09KLLAP)	9710624209
32	Main PCB (ARXG12KLLAP)	9710624216
32	Main PCB (ARXG14KLLAP)	9710624148
33	2 way Remote PCB	9710019005
34	Terminal 3P	9900568009
35	Terminal 3P (Wired Remote)	9900896003
--	Room Thermistor	9900653019
--	Pipe Thermistor	9900942045

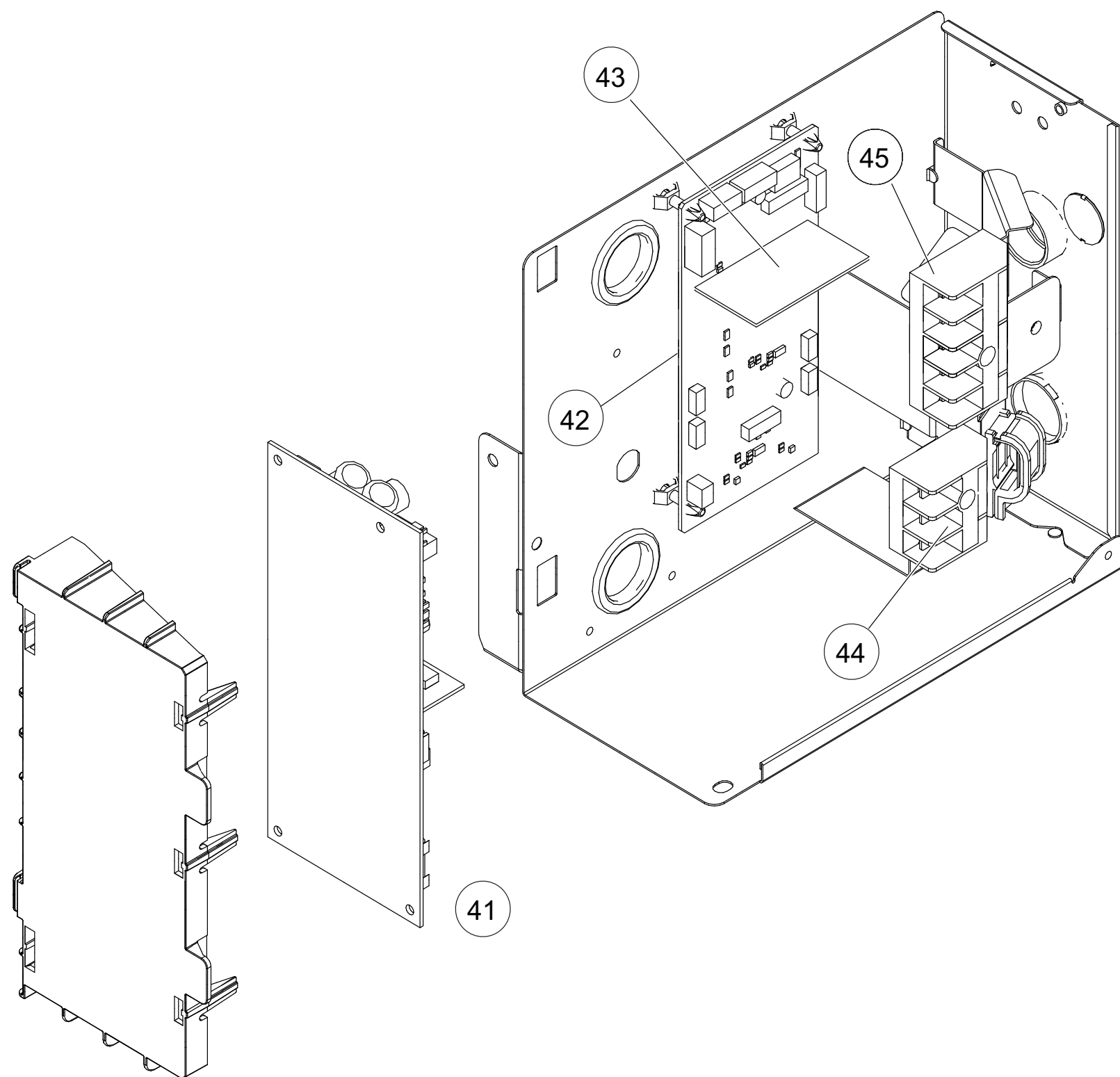
2-2. Model: ARXG18KLLAP



Ref	Description	Parts number
1	Side Panel R Sub Assy	9379906012
2	Side Panel L Sub Assy	9379907019
3	Pipe Panel Sub Assy	9379900003
4	Panel (Window) Sub Assy	9379915007
5	Outlet Frame Assy	9380042013
6	Front Panel (3 Fan)	9380595007
7	Valve Cover Sub Assy	9379576017
8	Fan Guard (3 Fan)	9380590002
9	Air Filter	9379575003
10	Main Panel (3 Fan)	9380603016
11	Cabinet Panel (3 Fan)	9380598008
12	Drain Pan Sub Assy	9379901178
13	Evaporator Total Assy (18)	9380682493



Ref	Description	Parts number
21	Top Panel Sub Assy	9379908047
22	Sirroco Fan Assy	9379570022
23	Sirroco Fan Assy	9379570039
24	Shaft assy	9381052004
25	Joint Assy	9378038011
26	Rubber (Vibration Proof)	9379644006
27	Casing B	9379572019
28	Casing U	9379571012
29	Fan Motor Assy	9379047142
30	Hose Sub Assy	9378450097
31	Drain Pump Sub Assy	9379914062
32	Float Switch Sub Assy	9378593039
33	Drain Hose Assy	9379913003

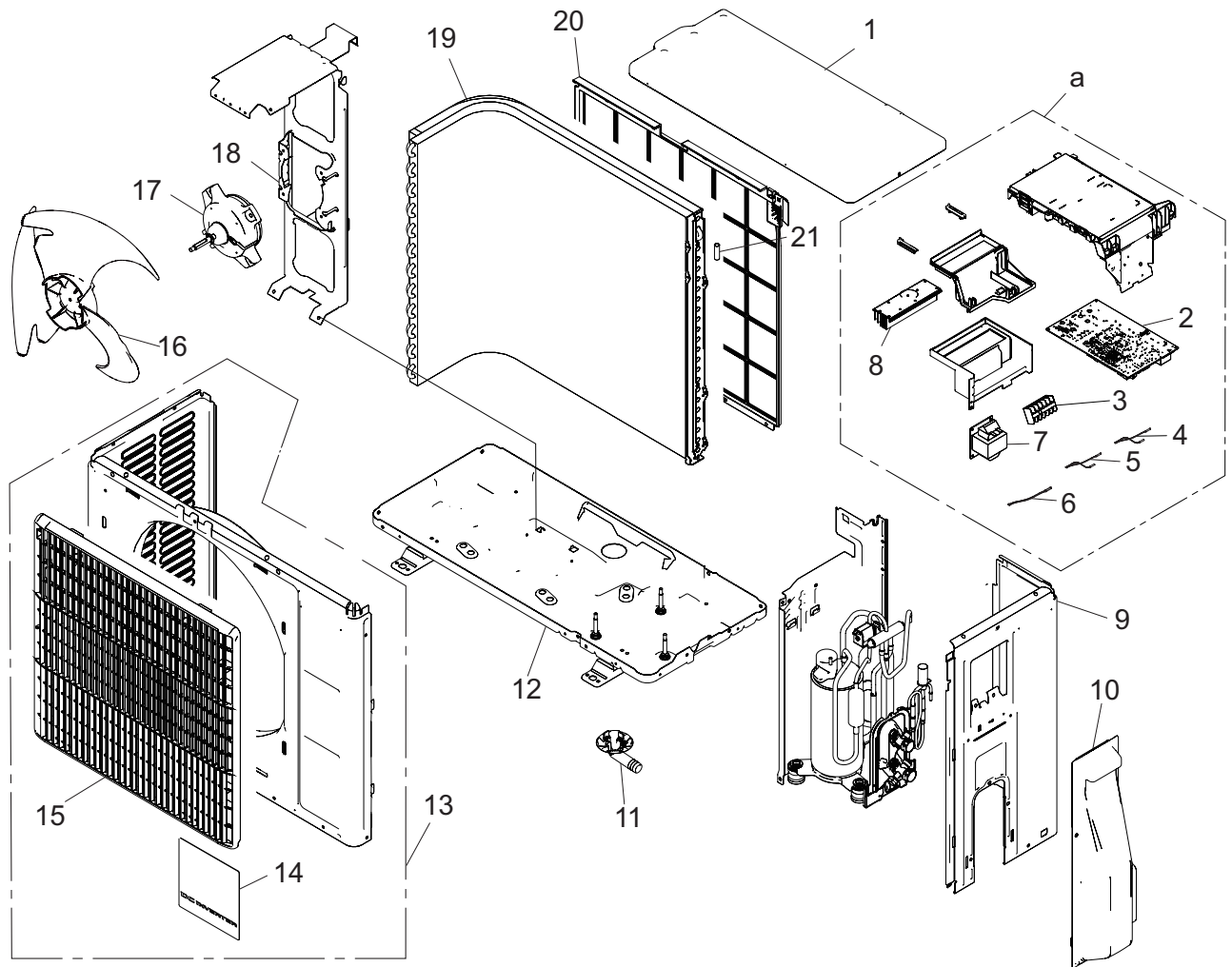


Ref	Description	Parts number
41	Power Supply PCB	9710661006
42	Main PCB	9710624131
43	2 way Remote PCB	9710019005
44	Terminal 3P	9900568009
45	Terminal 3P (Wired Remote)	9900896003
--	Room Thermistor	9900653019
--	Pipe Thermistor	9900942045

3. Outdoor unit parts list

3-1. Models: AOYG09KATA and AOYG12KATA

■ Exterior parts and chassis



TECHNICAL DATA
AND PARTS LIST

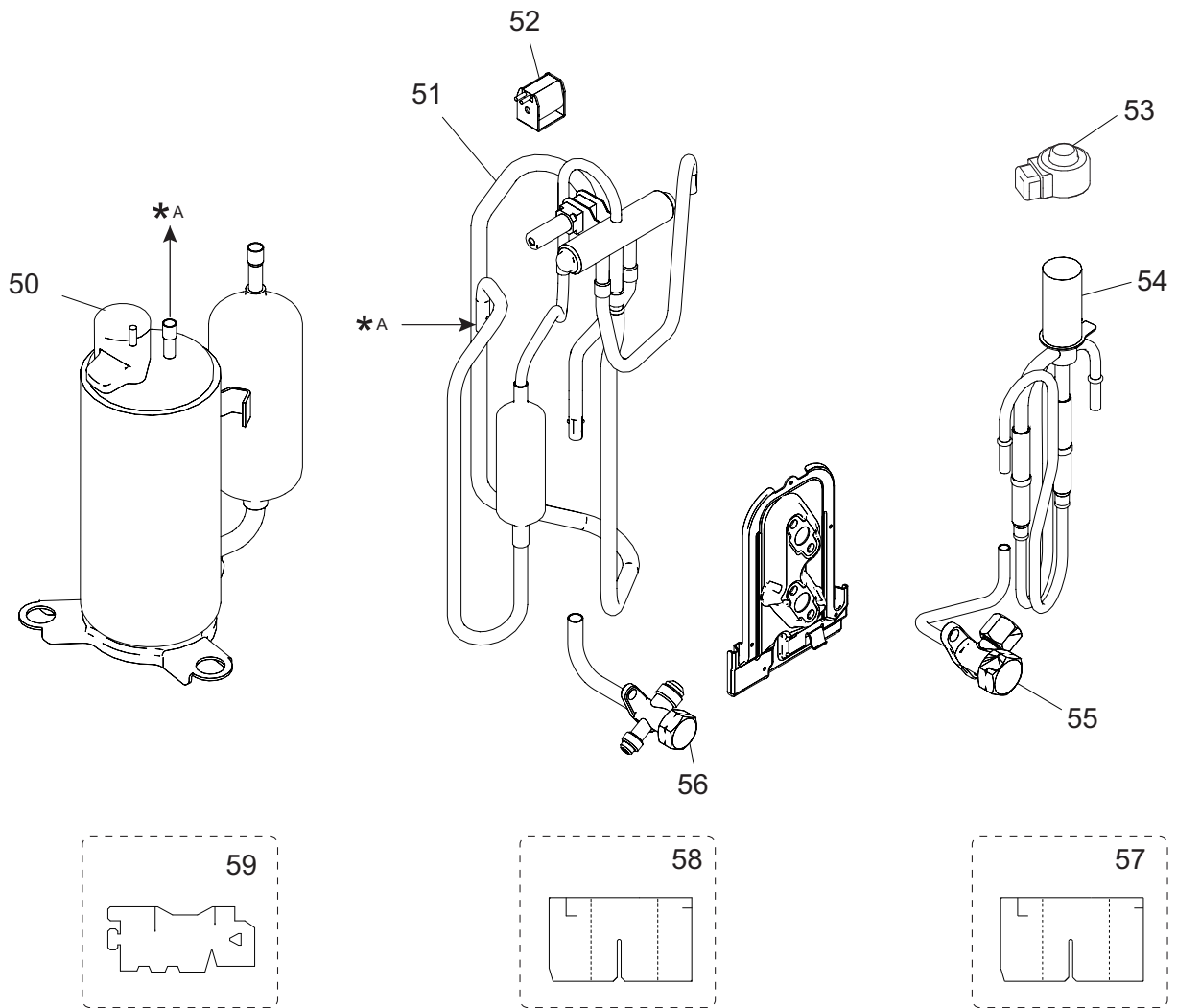
TECHNICAL DATA
AND PARTS LIST

Item no.	Part no.	Part name	Service part
1	9322556080	Top panel assy	◆
2	9710924415	Main PCB	◆
3	9900435028	Terminal	◆
4	9900727062	Thermistor assy	◆
5	9900565060	Thermistor assy (outdoor temp)	◆
6	9900984014	Heat exchanger thermistor	◆
7	9900583019	Reactor assy	◆
8	9322418005	Heat sink	◆
9	9322552112	Cabinet right assy	◆
10	9322570000	Switch cover assy	◆
11	9322144003	Drain pipe	◆
12	9322308023	Base assy	◆
13	9322555106	Front panel assy	◆
14	9387859003	Emblem	◆
15	9322135001	Blow grille	◆
16	9322136008	Propeller fan	◆
17	9603657017	Brushless motor	◆
18	9322553003	Motor bracket assy	◆
19	9322272010	Condenser total assy (for 09 model)	◆
	9322273000	Condenser total assy (for 12 model)	◆
20	9322811004	Protective net	◆
21	9331404006	Thermistor holder	◆
<i>a</i>	—	Inverter assy	—

Compressor

TECHNICAL DATA
AND PARTS LIST

TECHNICAL DATA
AND PARTS LIST



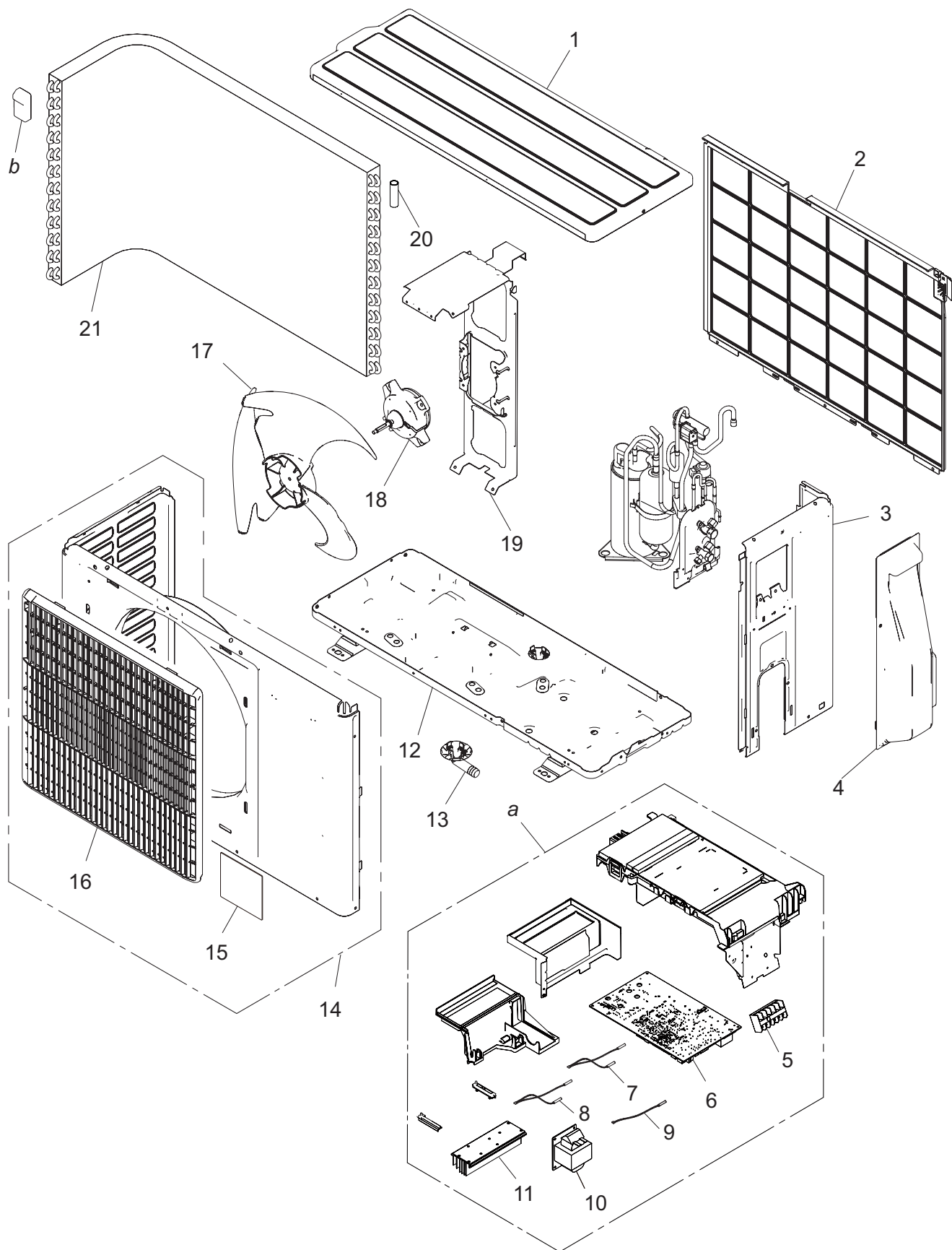
Item no.	Part no.	Part name	Service part
50	9322423009	Compressor assy (for 09 model)	◆
	9322425003	Compressor assy (for 12 model)	◆
51	9322392008	4 way valve assy	◆
52	9970110153	Solenoid	◆
53	9970173011	Expansion valve coil	◆
54	9322403001	Pulse motor valve	◆
55	9322474025	2 way valve assy	◆
56	9318254051	3 way valve assy	◆
57	9322389008	S insurator H	◆
58	9322388001	S insurator F	◆
59	9322387004	S insurator B	◆

3-2. Models: AOYG14KATA and AOYG18KATA

■ Exterior parts and Chassis

TECHNICAL DATA
AND PARTS LIST

TECHNICAL DATA
AND PARTS LIST

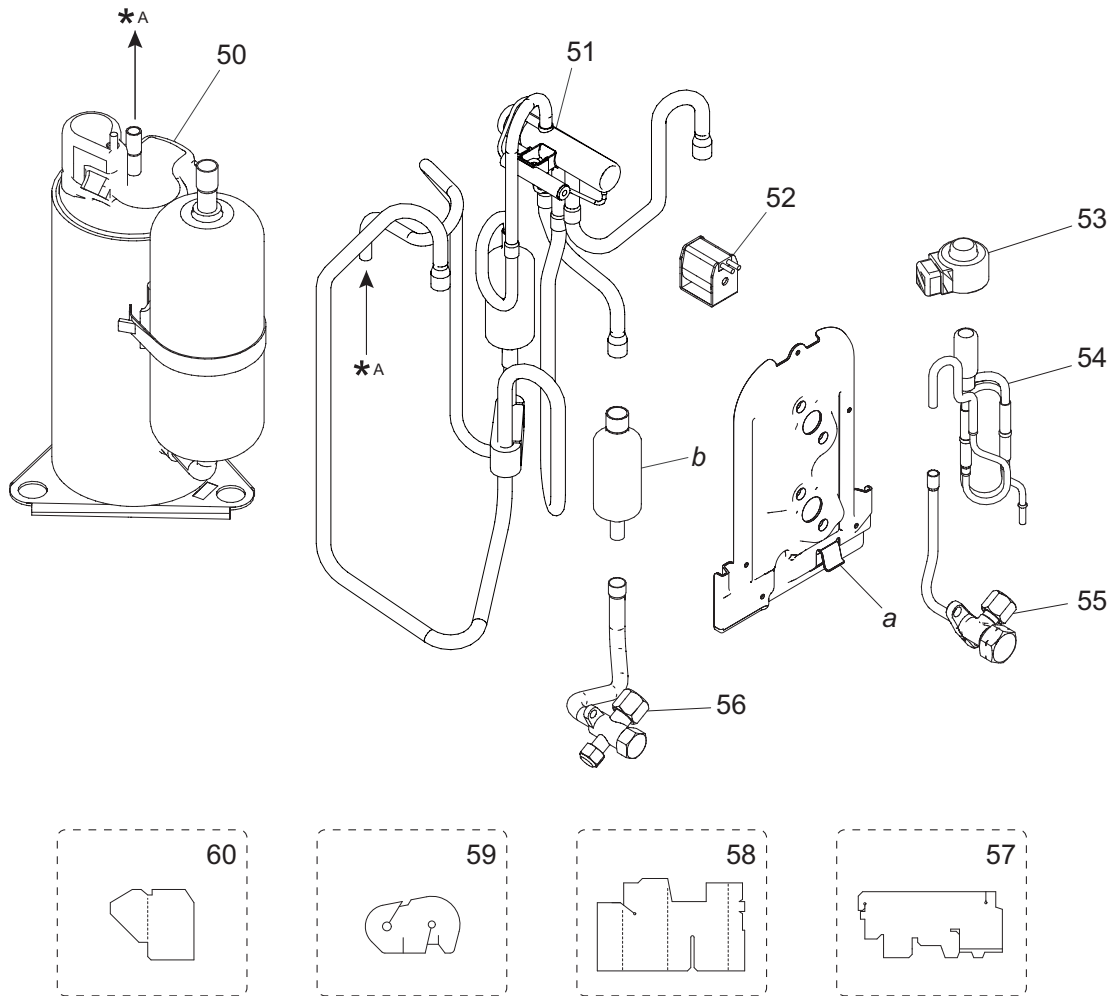


Item no.	Part no.	Part name	Service part
1	9322556028	Top panel assy	◆
2	9322811011	Protective net	◆
3	9322552020	Cabinet right assy	◆
4	9322570000	Switch cover assy	◆
5	9900435028	Terminal	◆
6	9710924422	Main PCB	◆
7	9900727062	Thermistor assy	◆
8	9900565060	Thermistor (Outdoor temp.)	◆
9	9900984014	Heat exchanger thermistor	◆
10	9900583019	Reactor assy (for 14 model)	◆
	9900963019	Reactor assy (for 18 model)	◆
11	9322418005	Heat sink	◆
12	9322314024	Base assy	◆
13	9322144003	Drain pipe	◆
14	9322555014	Front panel assy	◆
15	9319151007	Emblem	◆
16	9322135001	Blow grille	◆
17	9322136008	Propeller fan	◆
18	9603657017	Brushless motor	◆
19	9322553010	Motor bracket assy	◆
20	9331404006	Thermistor holder	◆
21	9322275004	Condenser total assy	◆
<i>a</i>	—	Inverter assy	—
<i>b</i>	—	Hair pin cushion	—

Compressor

TECHNICAL DATA
AND PARTS LIST

TECHNICAL DATA
AND PARTS LIST


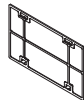
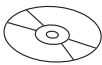
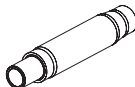


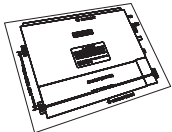


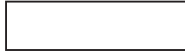

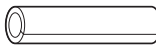

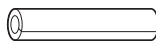


Item no.	Part no.	Part name	Service part
50	9322427007	Compressor assy (for 14 model)	◆
	9322429001	Compressor assy (for 18 model)	◆
51	9322444011	4-way valve assy	◆
52	9970110160	Solenoid	◆
53	9970173011	Expansion valve coil	◆
54	9322463029	Pulse motor valve assy	◆
55	9322474001	2-way valve assy	◆
56	9322475008	3-way valve assy (for 14 model)	◆
	9387831016	3-way valve assy (for 18 model)	◆
57	9322535009	S-insulator B	◆
58	9322536006	S-insulator F	◆
59	9322537003	S-insulator H	◆
60	9323045002	S-insulator V	◆
a	—	Valve bracket	—
b	—	Muffler	—


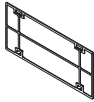
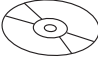
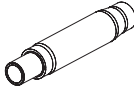


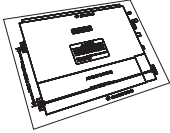




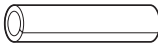

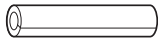
4. Accessories

4-1. Indoor unit

■ Models: ARXG09KLLAP, ARXG12KLLAP, and ARXG14KLLAP


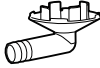
Part name	Exterior	Q'ty	Part name	Exterior	Q'ty
Operating manual		1	Filter (small)		2
Operating manual (CD-ROM)		1	Drain hose		1
Installation manual		1	Hose band		1
Installation template		1	Drain hose insulation B		1
Washer		8	Insulation (for electrical wiring)		2
Cable tie (large)		4	Coupler heat insulation (large)		1
Cable tie (medium)		3	Coupler heat insulation (small)		1

■ Model: ARXG18KLLAP

Part name	Exterior	Q'ty	Part name	Exterior	Q'ty
Operating manual		1	Filter (large)		2
Operating manual (CD-ROM)		1	Drain hose		1
Installation manual		1	Hose band		1
Installation template		1	Drain hose insulation B		1
Washer		8	Insulation (for electrical wiring)		2
Cable tie (large)		4	Coupler heat insulation (large)		1
Cable tie (medium)		3	Coupler heat insulation (small)		1

4-2. Outdoor unit

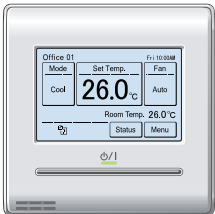
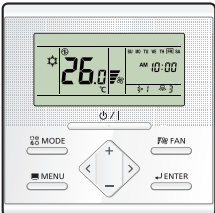
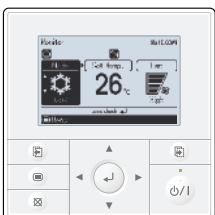
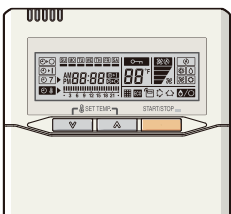

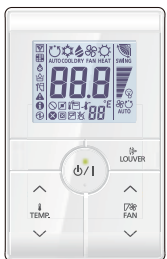
■ Models: AOYG09KATA, AOYG12KATA, AOYG14KATA, and AOYG18KATA



Part name	Exterior	Q'ty	Part name	Exterior	Q'ty
Installation manual		1	Drain pipe		1

5. Optional parts

5-1. Indoor unit









■ Controllers

Exterior	Part name	Model name	Summary
	Wired remote controller	UTY-RNRYZ*	Easy finger touch operation with LCD panel. Backlit LCD enables easy operation in a dark room. Wire type: Non-polar 2-wire
	Wired remote controller	UTY-RLRY	High visibility and easy operation. Room temperature can be accurately controlled using the built-in thermo sensor. Wire type: Non-polar 2-wire
	Wired remote controller	UTY-RVNYM	Large and full-dot liquid crystal screen, wide and large keys easy to press, user-intuitive arrow key. Wire type: Polar 3-wire
	Wired remote controller	UTY-RNNYM	Room temperature can be controlled by detecting the temperature accurately with built-in thermo sensor. Wire type: Polar 3-wire
	Simple remote controller	UTY-RSRY	Compact remote controller concentrates on the basic functions such as Start/Stop, fan control, temperature setting, and operation mode. Wire type: Non-polar 2-wire
	Simple remote controller	UTY-RHRY	Compact remote controller concentrates on the basic functions such as Start/Stop, fan control, and temperature setting. Wire type: Non-polar 2-wire

Exterior	Part name	Model name	Summary
	Simple remote controller	UTY-RSNYM	Compact remote controller concentrates on the basic functions such as Start/Stop, fan control, temperature setting, and operation mode. Wire type: Polar 3-wire
	IR receiver kit with wireless remote controller	UTY-LBTYM	Unit control is performed by wireless remote controller.

NOTE: Available functions may differ by the remote controller. For details, refer to the operation manual.

Others

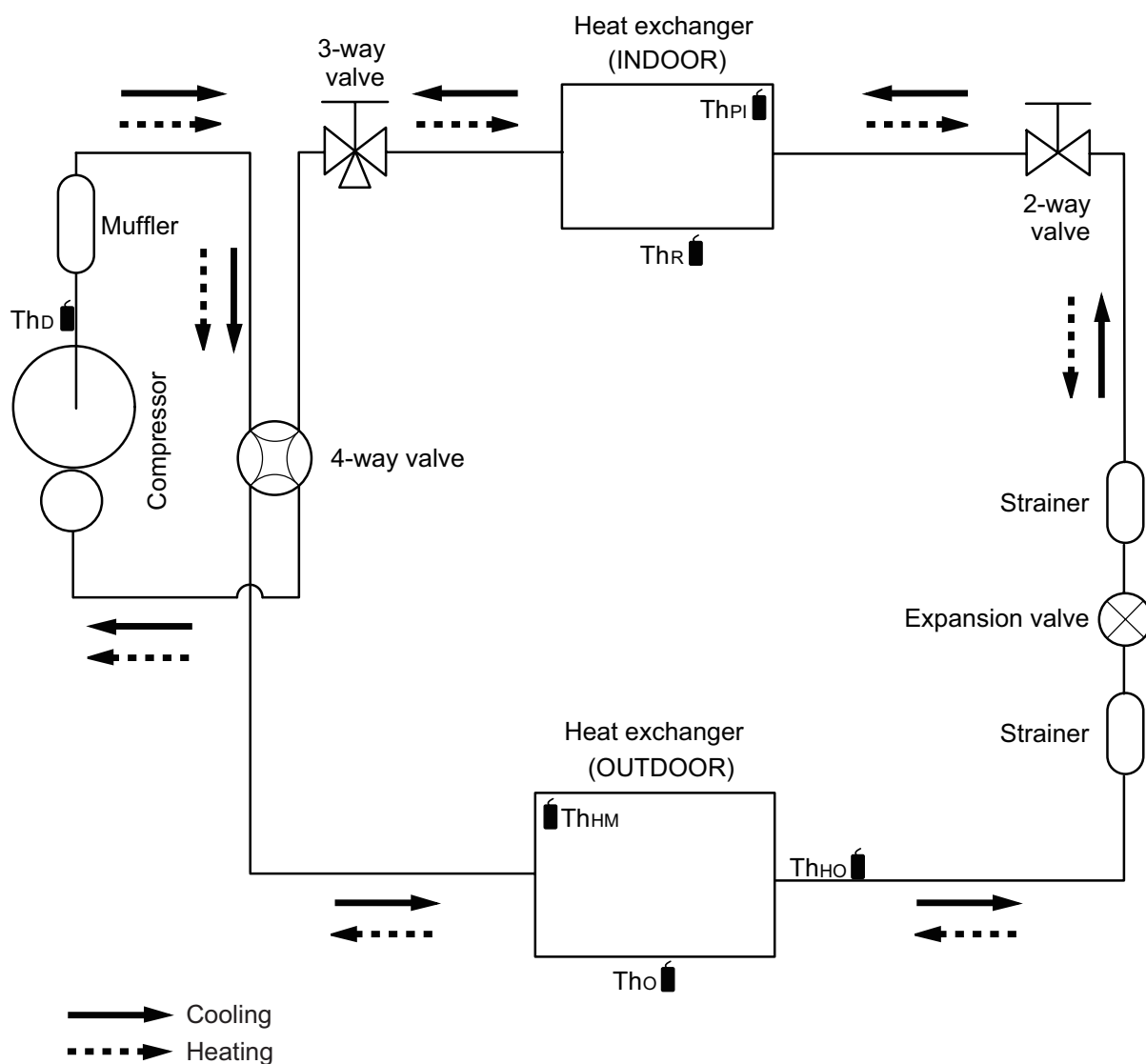
Exterior	Part name	Model name	Summary
	Remote sensor unit	UTY-XSZX	Thermo-sensor for sensing the temperature of arbitrary place in the room.
	Auto louver grille kit	UTD-GXTA-W	Width: 683 mm For 09, 12, and 14 models
	Auto louver grille kit	UTD-GXTB-W	Width: 883 mm For 18 model
	External connect kit	UTY-XWZXZG	Use to connect with various peripheral devices and air conditioner PCB. For control output port.
	Wireless LAN adapter	UTY-TFSXZ1	Remotely manage an air conditioning system using mobile devices such as smartphones and tablets. For connection indoor unit with UART interface.
	Modbus converter	UTY-VMSX	For connection between indoor unit with UART interface and a Modbus open network.
	KNX converter	UTY-VKSX	For connection between indoor unit with UART interface and a KNX open network.
	External switch controller	UTY-TERX	Air conditioner switching can be controlled by connecting other external sensor switches.

NOTE: Combined use of following optional parts and Wireless LAN adapter (UTY-TFSXZ1) is not allowed.

- Modbus converter
- KNX converter

6. Refrigerant system diagrams

6-1. Models: AOYG09KATA and AOYG12KATA



Th_D : Thermistor (Discharge temperature)

Th_O : Thermistor (Outdoor temperature)

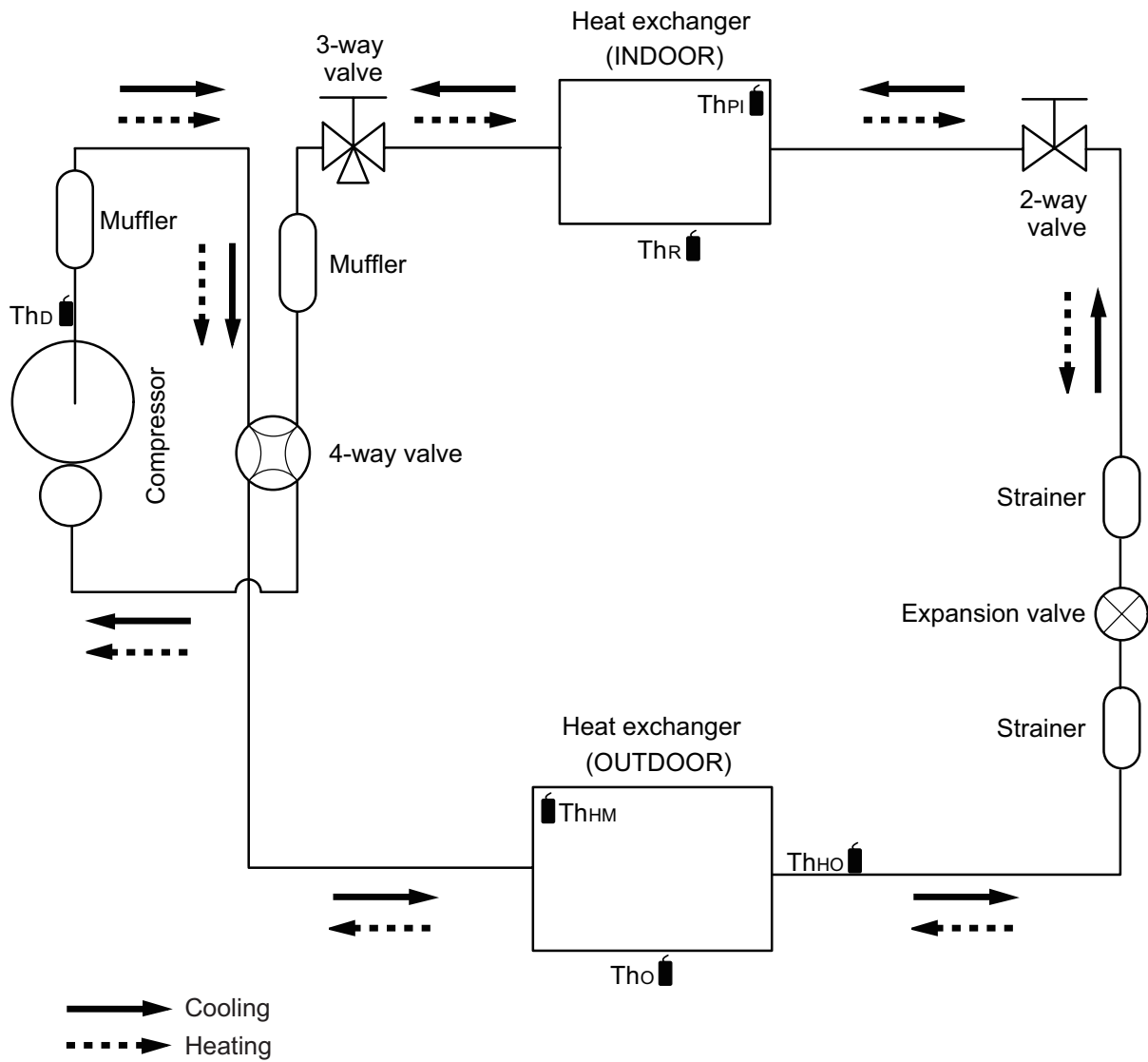
Th_{HO} : Thermistor (Heat exchanger out temperature)

Th_{HM} : Thermistor (Heat exchanger middle temperature)

Th_R : Thermistor (Room temperature)

Th_{PI} : Thermistor (Pipe temperature)

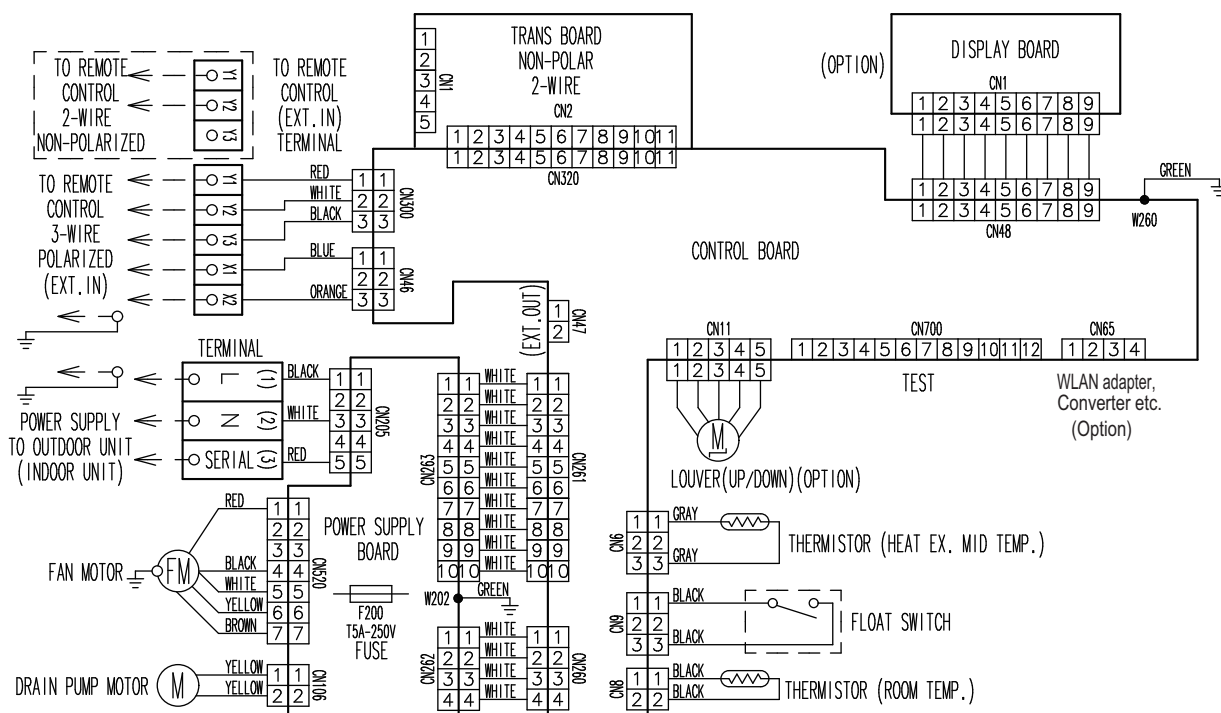
6-2. Models: AOYG14KATA and AOYG18KATA



7. Wiring diagrams

7-1. Indoor unit

Models: ARXG09KLLAP, ARXG12KLLAP, ARXG14KLLAP, and ARXG18KLLAP



TECHNICAL DATA AND PARTS LIST

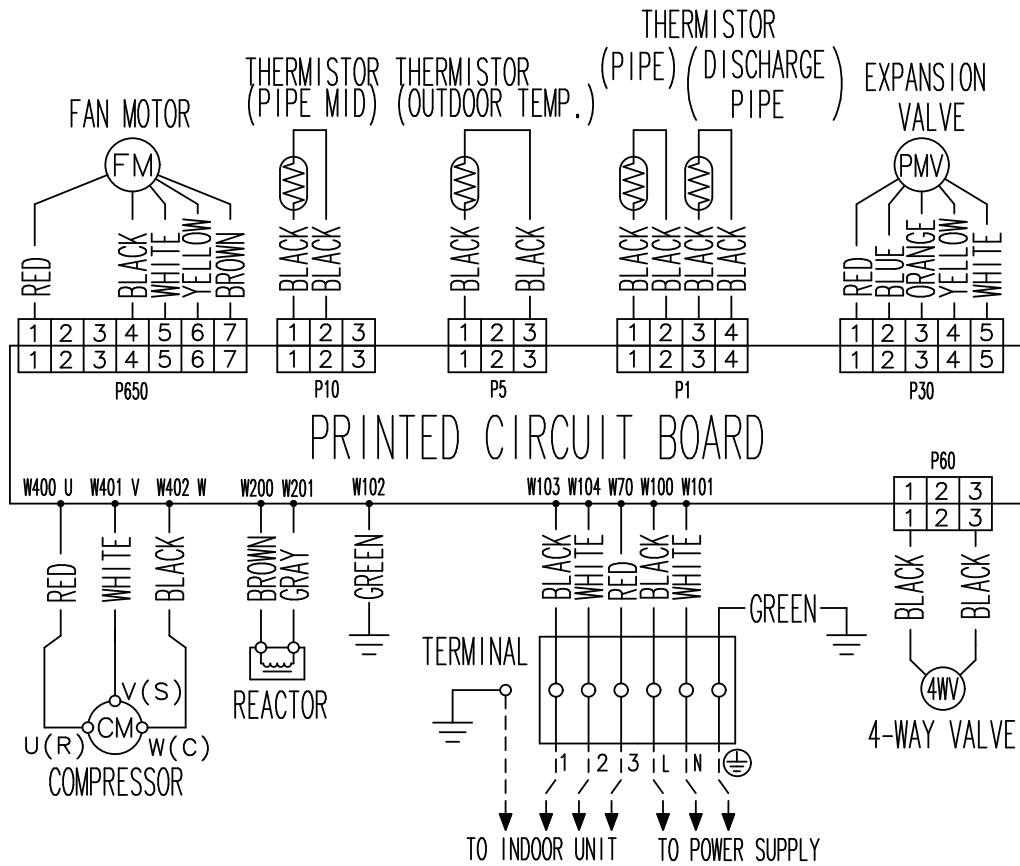
TECHNICAL DATA AND PARTS LIST

7-2. Outdoor unit

Models: AOYG09KATA, AOYG12KATA, AOYG14KATA, and AOYG18KATA

TECHNICAL DATA
AND PARTS LIST

TECHNICAL DATA
AND PARTS LIST



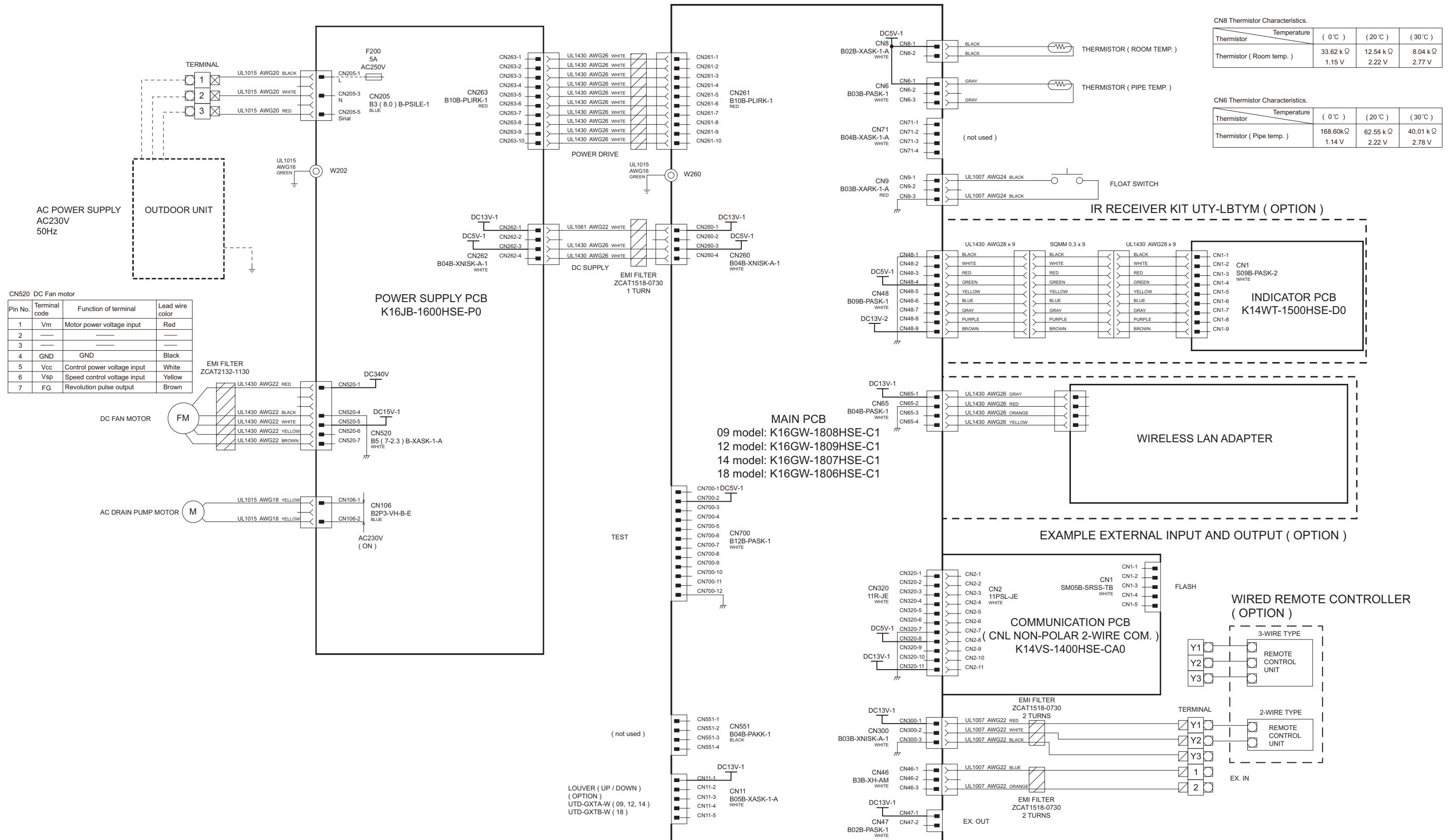
8. PC board diagrams

8-1. Models: ARXG09KLLAP, ARXG12KLLAP, ARXG14KLLAP, and ARXG18KLLAP

TECHNICAL DATA AND PARTS LIST

TECHNICAL DATA AND PARTS LIST

CONTROL UNIT
 09 model: EZ-0181YHSE 14 model: EZ-01814HSE
 12 model: EZ-01820HSE 18 model: EZ-01813HSE



CN8 Thermistor Characteristics.

Thermistor	Temperature (0°C)	(20°C)	(30°C)
Thermistor (Room temp.)	33.62 kΩ	12.54 kΩ	8.04 kΩ
	1.15 V	2.22 V	2.77 V

CN6 Thermistor Characteristics.

Thermistor	Temperature (0°C)	(20°C)	(30°C)
Thermistor (Pipe temp.)	168.60kΩ	62.55 kΩ	40.01 kΩ
	1.14 V	2.22 V	2.78 V

CN520 DC Fan motor

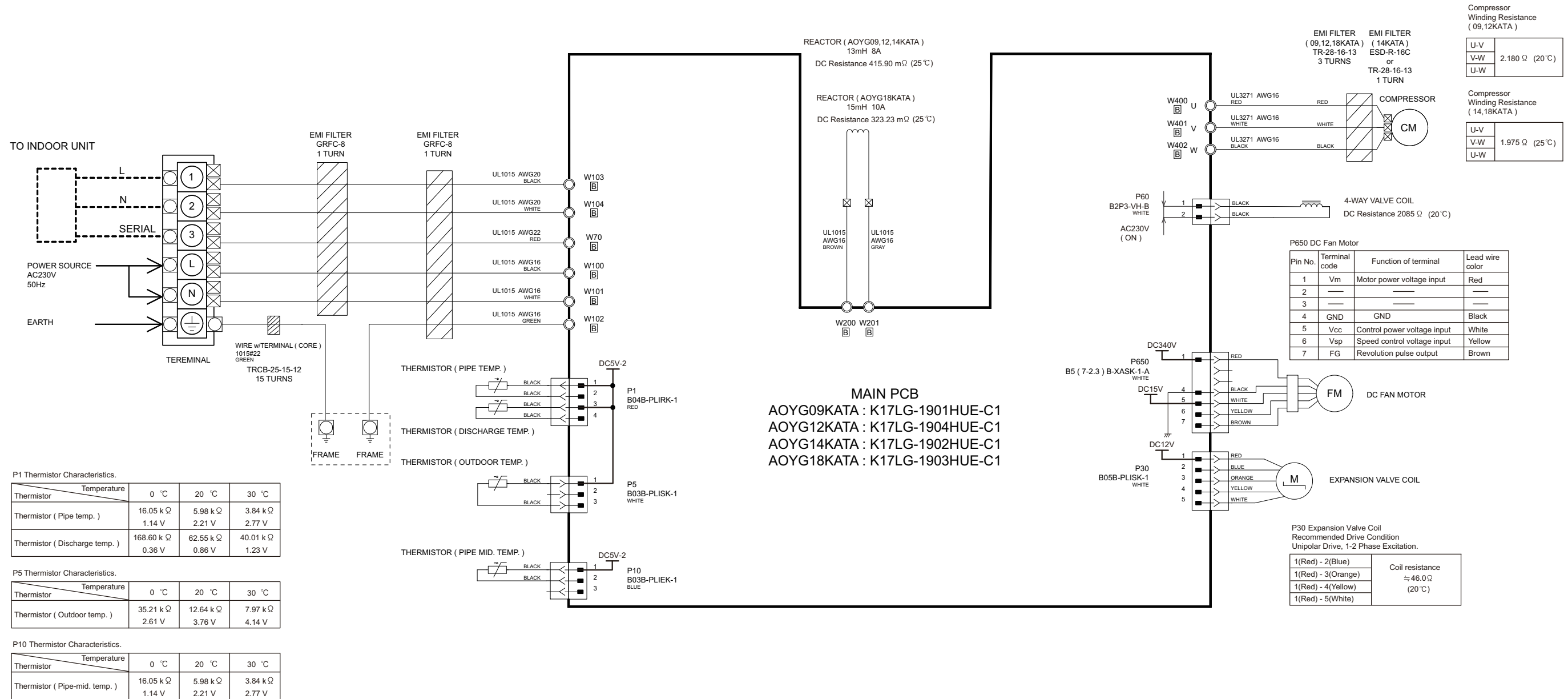
Pin No.	Terminal code	Function of terminal	Lead wire color
1	Vm	Motor power voltage input	Red
2	—	—	—
3	—	—	—
4	GND	GND	Black
5	Vcc	Control power voltage input	White
6	Vsp	Speed control voltage input	Yellow
7	FG	Revolution pulse output	Brown

8-2. Models: AOYG09KATA, AOYG12KATA, AOYG14KATA, and AOYG18KATA

TECHNICAL DATA AND PARTS LIST

TECHNICAL DATA AND PARTS LIST

INVERTER ASSEMBLY
 AOYG09KATA : EZ-019AHUE
 AOYG12KATA : EZ-019BHUE
 AOYG14KATA : EZ-019CHUE
 AOYG18KATA : EZ-019DHUE



P1 Thermistor Characteristics.

Thermistor	Temperature	0 °C	20 °C	30 °C
Thermistor (Pipe temp.)		16.05 k Ω	5.98 k Ω	3.84 k Ω
		1.14 V	2.21 V	2.77 V
Thermistor (Discharge temp.)		168.60 k Ω	62.55 k Ω	40.01 k Ω
		0.36 V	0.86 V	1.23 V

P5 Thermistor Characteristics.

Thermistor	Temperature	0 °C	20 °C	30 °C
Thermistor (Outdoor temp.)		35.21 k Ω	12.64 k Ω	7.97 k Ω
		2.61 V	3.76 V	4.14 V

P10 Thermistor Characteristics.

Thermistor	Temperature	0 °C	20 °C	30 °C
Thermistor (Pipe-mid. temp.)		16.05 k Ω	5.98 k Ω	3.84 k Ω
		1.14 V	2.21 V	2.77 V