

AIR CONDITIONER

**Wall mounted type**

## SERVICE MANUAL

---

INDOOR



ASYG07KETA  
ASYG09KETA  
ASYG12KETA  
ASYG14KETA



ASYG07KETA-B  
ASYG09KETA-B  
ASYG12KETA-B  
ASYG14KETA-B

OUTDOOR



AOYG07KETA  
AOYG09KETA  
AOYG12KETA



AOYG14KETA

**FUJITSU GENERAL LIMITED**

**Notices:**

- Product specifications and design are subject to change without notice for future improvement.
- For further details, please check with our authorized dealer.

**Trademarks**

The following term and logo are trademarks of Fujitsu General Limited in the United States, other countries or both:

FGLair™



Android and Google Play are trademarks of Google Inc.

App Store is a service mark of Apple Inc., registered in the U.S. and other countries.

IOS is a trademark or registered trademark of Cisco in the U.S. and other countries and is used under license.

# CONTENTS

## 1. GENERAL INFORMATION

## 2. TECHNICAL DATA AND PARTS LIST



# 1. GENERAL INFORMATION

# CONTENTS

## 1. GENERAL INFORMATION

<b>1. Specifications</b> .....	<b>01-1</b>
1-1. Indoor units.....	01-1
1-2. Outdoor units.....	01-4
<b>2. Dimensions</b> .....	<b>01-5</b>
2-1. Indoor unit .....	01-5
2-2. Outdoor unit.....	01-7

# 1. Specifications

## 1-1. Indoor units

Type				Wall mounted				
				Inverter heat pump				
Model name				ASYG07KETA ASYG07KETA-B	ASYG09KETA ASYG09KETA-B	ASYG12KETA ASYG12KETA-B	ASYG14KETA ASYG14KETA-B	
Power supply				230 V ~ 50 Hz				
Available voltage range				198—264 V				
Capacity	Cooling	Rated	kW	2.00	2.50	3.40	4.20	
			Btu/h	6,800	8,500	11,600	14,300	
		Min.—Max.	kW	0.9—3.0	0.9—3.2	0.9—3.9	0.9—4.4	
	Heating	Rated	Btu/h	3,100—10,200	3,100—10,900	3,100—13,300	3,100—15,000	
			kW	2.50	2.80	4.00	5.40	
		Min.—Max.	Btu/h	8,500	9,500	13,600	18,400	
kW			0.9—3.4	0.9—4.0	0.9—5.3	0.9—6.0		
Btu/h		3,100—11,600	3,100—13,600	3,100—18,000	3,100—20,500			
Input power	Cooling	Rated	kW	0.450	0.630	0.935	1.220	
				Min.—Max.	0.25—1.17	0.25—1.21	0.25—1.27	0.25—1.40
	Heating	Rated	kW	0.555	0.620	0.960	1.410	
				Min.—Max.	0.25—1.21	0.25—1.26	0.25—1.52	0.25—1.73
	Fan	HIGH	W	22.1	26.5	26.5	33.6	
				MED	15.1	16.0	16.0	20.0
				LOW	10.0	10.0	10.0	11.8
				QUIET	6.4	6.4	6.4	7.1
Current	Cooling	Rated	A	2.6	3.4	4.8	5.8	
				Heating	3.0	3.4	5.1	6.8
EER	Cooling	kW/kW	4.43	3.97	3.65	3.44		
COP	Heating		4.52	4.52	4.17	3.83		
Sensible capacity	Cooling	kW	1.2	1.6	2.2	3.2		
Power factor	Cooling	%	75	81	88	88		
	Heating		80	79	87	87		
Moisture removal		L/h (pints/h)	1.0 (1.80)	1.3 (2.30)	1.8 (3.20)	2.1 (3.70)		
Maximum operating current *1	Cooling	A	6.5	6.5	6.5	6.5		
	Heating		9.0	9.0	9.0	9.0		
Fan	Airflow rate	Cooling	m <sup>3</sup> /h	HIGH	650	700	700	770
				MED	540	560	560	600
				LOW	430	430	430	450
				QUIET	270	270	270	280
		Heating	HIGH	720	750	770	800	
			MED	580	610	640	660	
			LOW	460	470	520	520	
			QUIET	330	330	330	340	
	Type × Q'ty	Cross flow fan × 1						
	Motor output	W	22	24	27	30		
Sound pressure level *2	Cooling	dB (A)	HIGH	38	40	40	43	
			MED	33	34	35	36	
			LOW	29	29	30	30	
			QUIET	20	20	20	20	
	Heating	HIGH	41	42	42	44		
		MED	35	36	38	39		
		LOW	31	31	33	33		
		QUIET	22	22	22	24		
		Heat exchanger type	Dimensions (H × W × D)	mm	Main1: 210 × 670 × 26.6 Main2: 112 × 670 × 20			Main1: 210 × 670 × 26.6 Main2: 112 × 670 × 20 Sub: 84 × 670 × 13.3
					Fin pitch	Man1: 1.2, Main2: 1.1		
Rows × Stages	Main1: 2 × 10, Main2: 2 × 7			Main1: 2 × 10, Main2: 2 × 7, Sub: 1 × 4				
Pipe type	Copper tube							
Fin type	Aluminum							
Material	Polystyrene							
Enclosure	Color	KETA; White + Pearl white (painted) Approximate color of Munsell N 9.25/ KETA-B; Dark Gray + Silver (painted) Approximate color of Munsell 0.5P 3.5/0.2						
		Dimensions (H × W × D)	Net	295 × 950 × 230				
Weight	Gross	kg	284 × 1,027 × 357					
			Net	11.0			11.5	
Connection pipe	Size	Liquid Gas	mm (in)	Ø 6.35 (Ø 1/4)				
				Ø 9.52 (Ø 3/8)				
	Method	Flare						
Drain hose	Material	PP+HDPE						
	Size	Ø 13.8 (I.D.), Ø 15.0 to Ø 16.8 (O.D.)						
Operation range	Cooling	°C	18 to 32					
		%RH	80 or less					
Remote controller type	Heating	°C	16 to 30					
		Wireless (Wired, Mobile app*3 [FLair™] [option])						

Type	Wall mounted			
	Inverter heat pump			
Model name	ASYG07KETA ASYG07KETA-B	ASYG09KETA ASYG09KETA-B	ASYG12KETA ASYG12KETA-B	ASYG14KETA ASYG14KETA-B
<p><b>NOTES:</b></p> <ul style="list-style-type: none"> <li>• Specifications are based on the following conditions: <ul style="list-style-type: none"> <li>– Cooling: Indoor temperature of 27 °CDB/19 °CWB, and outdoor temperature of 35 °CDB/24 °CWB.</li> <li>– Heating: Indoor temperature of 20 °CDB/15 °CWB, and outdoor temperature of 7 °CDB/6 °CWB.</li> <li>– Pipe length: 5 m, Height difference: 0 m. (Between outdoor unit and indoor unit.)</li> </ul> </li> <li>• Protective function might work when using it outside the operation range.</li> <li>• *1: Maximum current is maximum value when operated within the operation range.</li> <li>• *2: Sound pressure level: <ul style="list-style-type: none"> <li>– Measured values in manufacturer's anechoic chamber.</li> <li>– Because of the surrounding sound environment, the sound levels measured in actual installation conditions might be higher than the specified values here.</li> </ul> </li> <li>• *3: Available on Google Play™ store or on App Store®. Optional WLAN adapter is also required. For details, refer to the setting manual.</li> </ul>				



Specifications for Lot10							
Model name			ASYG07KETA ASYG07KETA-B	ASYG09KETA ASYG09KETA-B	ASYG12KETA ASYG12KETA-B	ASYG14KETA ASYG14KETA-B	
Energy efficiency class	Cooling		A <sup>++</sup>				
	Heating (Average)		A <sup>+</sup>				
Pdesign	Cooling	kW	2.0 (35 °C)	2.5 (35 °C)	3.4 (35 °C)	4.2 (35 °C)	
	Heating (Average)		2.3 (-10 °C)	2.4 (-10 °C)	2.5 (-10 °C)	4.0 (-10 °C)	
SEER	Cooling	kWh/kWh	7.4	7.4	7.3	6.9	
SCOP	Heating (Average)		4.1	4.1	4.4	4.1	
Annual energy consumption	QCE	kWh/a	95	118	163	213	
	QHE (Average)		785	819	795	1,367	
Sound power level	Cooling	HIGH	dB (A)	54	55	55	57
	Heating			56	57	58	59

## 1-2. Outdoor units

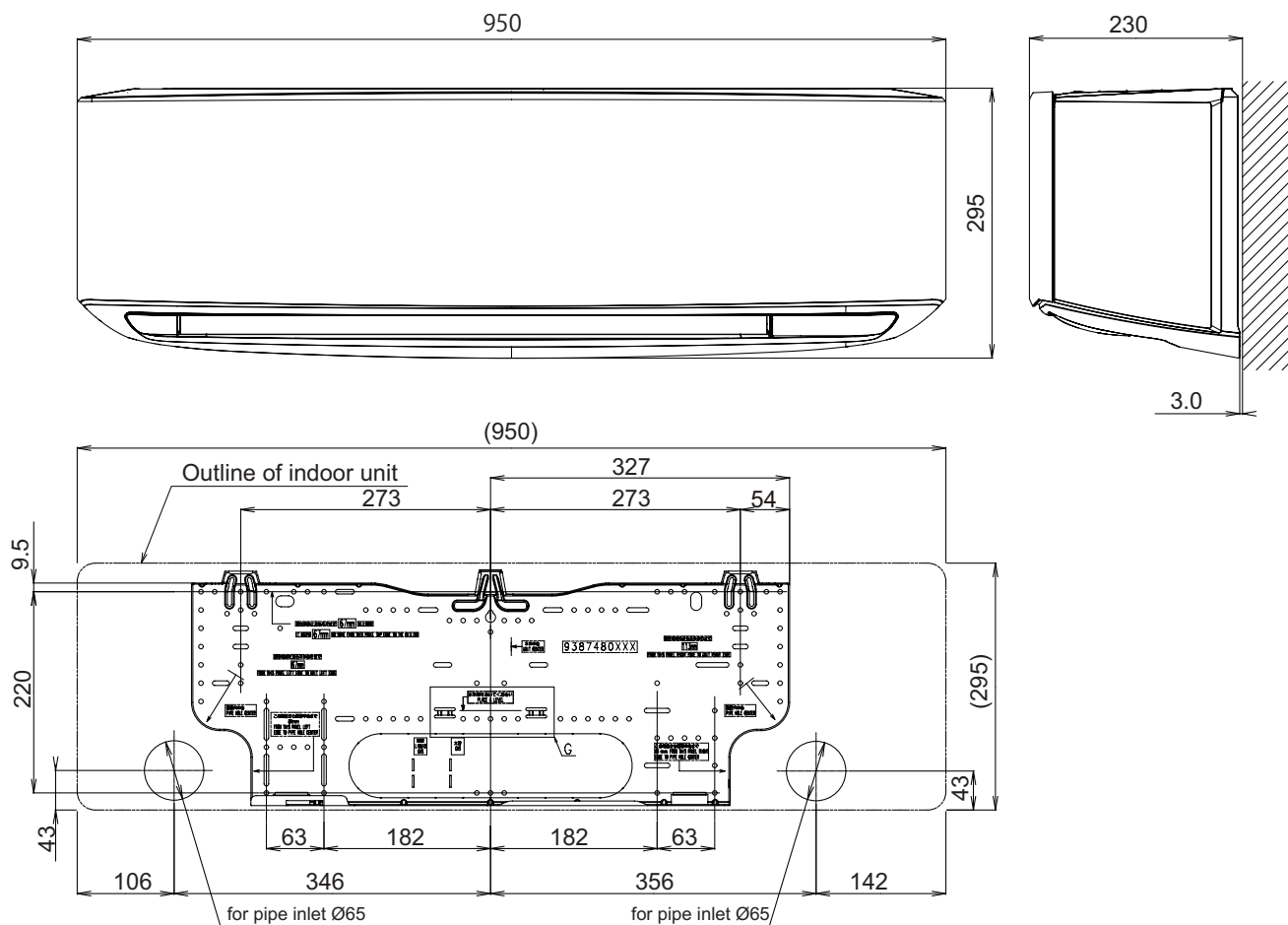
Type			Inverter heat pump				
Model name			AOYG07KETA	AOYG09KETA	AOYG12KETA	AOYG14KETA	
Power supply			230 V ~ 50 Hz				
Available voltage range			198—264 V				
Starting current			A				
			3.0	3.4	5.1	6.8	
Fan	Airflow rate	Cooling	1,650	1,650	1,700	1,680	
		Heating	1,450	1,450	1,470	1,580	
	Type × Q'ty	Propeller fan × 1					
Motor output			W				
			23				
Sound pressure level *1	Cooling	dB (A)	46		50		
		Heating	46		50		
Sound power level	Cooling	dB (A)	61		65		
		Heating	61	62	65	66	
Heat exchanger type	Dimensions (H × W × D)		mm		504 × 650 × 18.2	504 × 630 × 36.4	504 × 881 × 36.4
	Fin pitch		1.3				
	Rows × Stages		1 × 24		2 × 24		
	Pipe type		Copper				
	Fin type		Type (Material)	Corrugate (Aluminum)			
		Surface treatment	PC Fin				
Compressor	Type × Q'ty		DC rotary × 1				
	Motor output		W		550	900	
Refrigerant	Type (Global warming potential)		R32 (675)				
	Charge		g		600	700	850
Refrigerant oil	Type		RB74AF			RB68A	
	Amount		cm <sup>3</sup>		240	340	
Enclosure	Material		Steel sheet				
	Color		Beige Approximate color of Munsell 10YR 7.5/1.0				
Dimensions (H × W × D)	Net		mm		541 × 663 × 290	542 × 799 × 290	
	Gross		602 × 804 × 375				
Weight	Net		kg		23	25	31
	Gross		26				29
Connection pipe	Size	Liquid	mm (in)		Ø 6.35 (Ø 1/4)		
		Gas	Ø 9.52 (Ø 3/8)				
	Method		Flare				
	Pre-charge length		15				
	Max. length		20				
Max. height difference		15					
Operation range	Cooling		°C				
	Heating		-10 to 46				
Drain hose	Material		PP+LLDPE				
	Size		mm				
Ø 13.0 (I. D.), Ø 16.0 to Ø 16.8 (O. D.)							
<b>NOTES:</b>							
<ul style="list-style-type: none"> <li>• Specifications are based on the following conditions: <ul style="list-style-type: none"> <li>– Cooling: Indoor temperature of 27 °CDB/19 °CWB, and outdoor temperature of 35 °CDB/24 °CWB.</li> <li>– Heating: Indoor temperature of 20 °CDB/15 °CWB, and outdoor temperature of 7 °CDB/6 °CWB.</li> <li>– Pipe length: 5 m, Height difference: 0 m.</li> </ul> </li> <li>• Protective function might work when using it outside the operation range.</li> <li>• *1: Sound pressure level <ul style="list-style-type: none"> <li>– Measured values in manufacturer's anechoic chamber.</li> <li>– Because of the surrounding sound environment, the sound levels measured in actual installation conditions might be higher than the specified values here.</li> </ul> </li> </ul>							

## 2. Dimensions

### 2-1. Indoor unit

- Models: ASYG07KETA, ASYG07KETA-B, ASYG09KETA, ASYG09KETA-B, ASYG12KETA, ASYG12KETA-B, ASYG14KETA, and ASYG14KETA-B

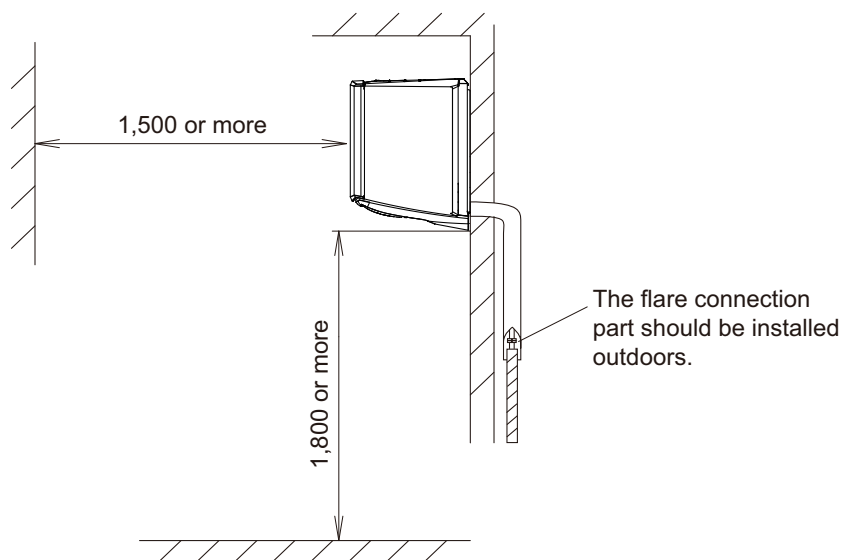
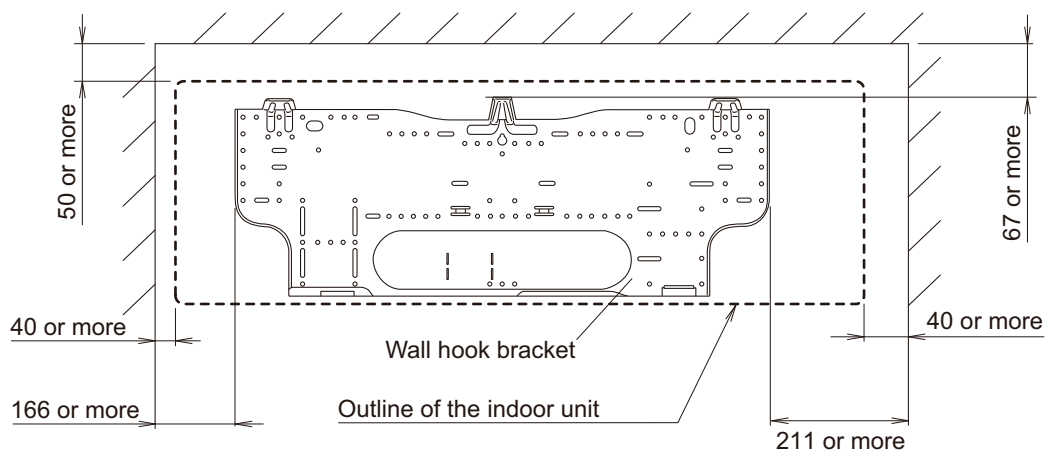
Unit: mm



## ● Installation space requirement

Provide sufficient installation space for product safety.

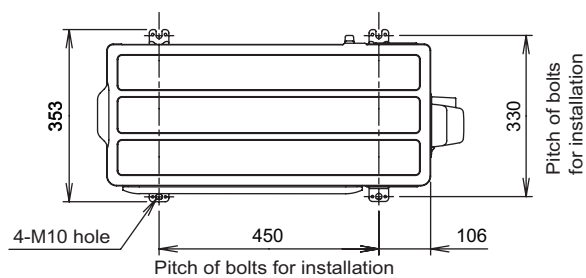
Unit: mm



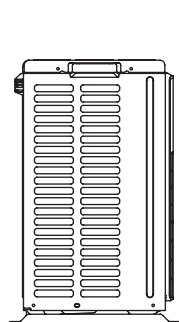
## 2-2. Outdoor unit

### ■ Models: AOYG07KETA, AOYG09KETA, and AOYG12KETA

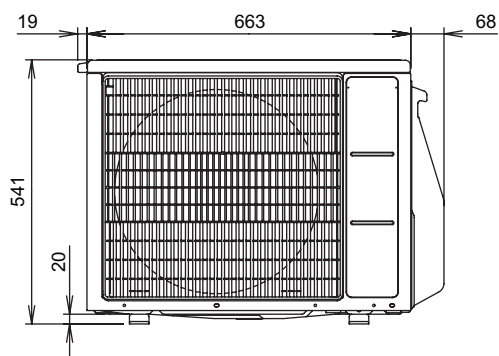
Unit: mm



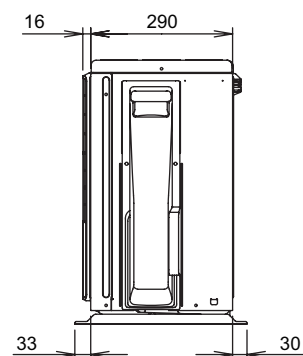
Top view



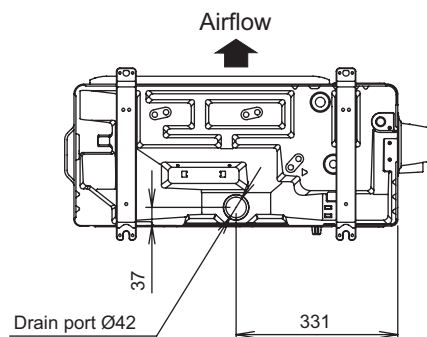
Side view



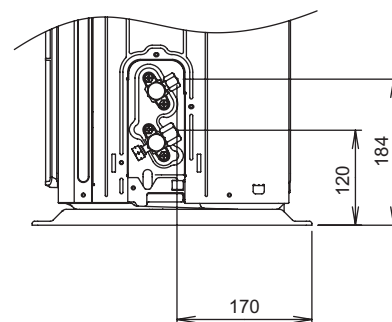
Front view



Side view



Bottom view



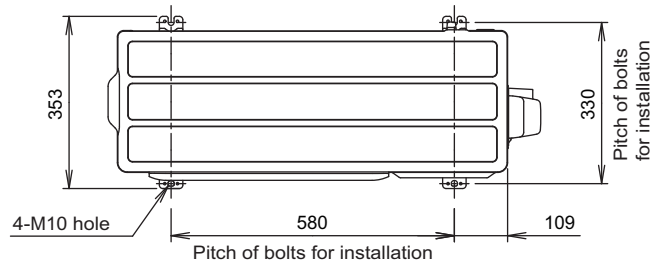
Side view (Valve part)

■ Model: AOYG14KETA

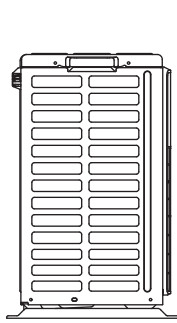
Unit: mm

GENERAL INFORMATION

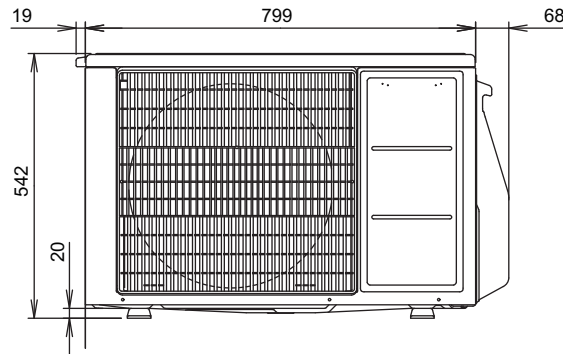
GENERAL INFORMATION



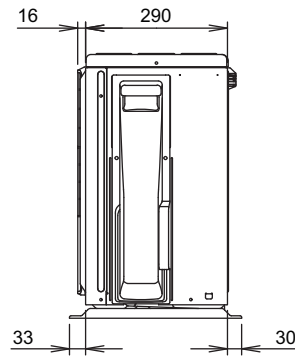
Top view



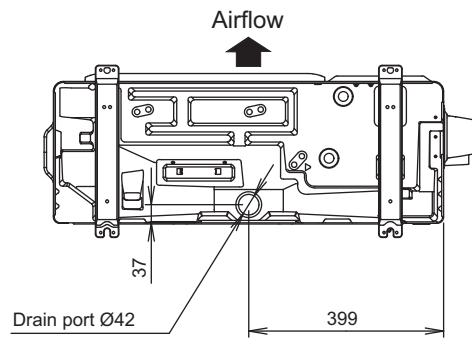
Side view



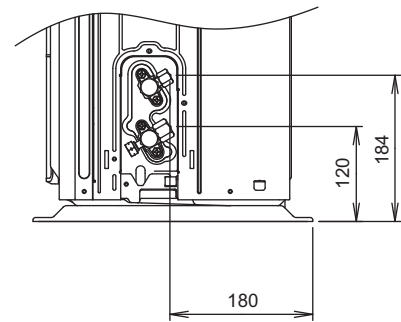
Front view



Side view



Bottom view



Side view (Valve part)

## **2. TECHNICAL DATA AND PARTS LIST**

# CONTENTS

## 2. TECHNICAL DATA AND PARTS LIST

<b>1. Precautions</b> .....	<b>02-1</b>
<b>2. Indoor unit parts list</b> .....	<b>02-2</b>
2-1. Models: ASYG07KETA, ASYG07KETA-B, ASYG09KETA, ASYG09KETA-B, ASYG12KETA, ASYG12KETA-B, ASYG14KETA, and ASYG14KETA-B .....	02-2
<b>3. Outdoor unit parts list</b> .....	<b>02-6</b>
3-1. Models: AOYG07KETA, AOYG09KETA, and AOYG12KETA .....	02-6
3-2. Model: AOYG14KETA .....	02-10
<b>4. Accessories</b> .....	<b>02-14</b>
4-1. Indoor unit .....	02-14
4-2. Outdoor unit.....	02-14
<b>5. Optional parts</b> .....	<b>02-15</b>
5-1. Indoor unit .....	02-15
<b>6. Refrigerant system diagrams</b> .....	<b>02-17</b>
6-1. Models: AOYG07KETA, AOYG09KETA, and AOYG12KETA .....	02-17
6-2. Model: AOYG14KETA .....	02-18
<b>7. Wiring diagrams</b> .....	<b>02-19</b>
7-1. Indoor unit .....	02-19
7-2. Outdoor unit.....	02-20
<b>8. PC board diagrams</b> .....	<b>02-21</b>
8-1. Models: ASYG07KETA, ASYG07KETA-B, ASYG09KETA, ASYG09KETA-B, ASYG12KETA, ASYG12KETA-B, ASYG14KETA, and ASYG14KETA-B .....	02-22
8-2. Models: AOYG07KETA, AOYG09KETA, AOYG12KETA, and AOYG14KETA .....	02-23



# 1. Precautions

When you start servicing, pay attention to the following points. For detailed precautions, refer to the installation manual of the products.

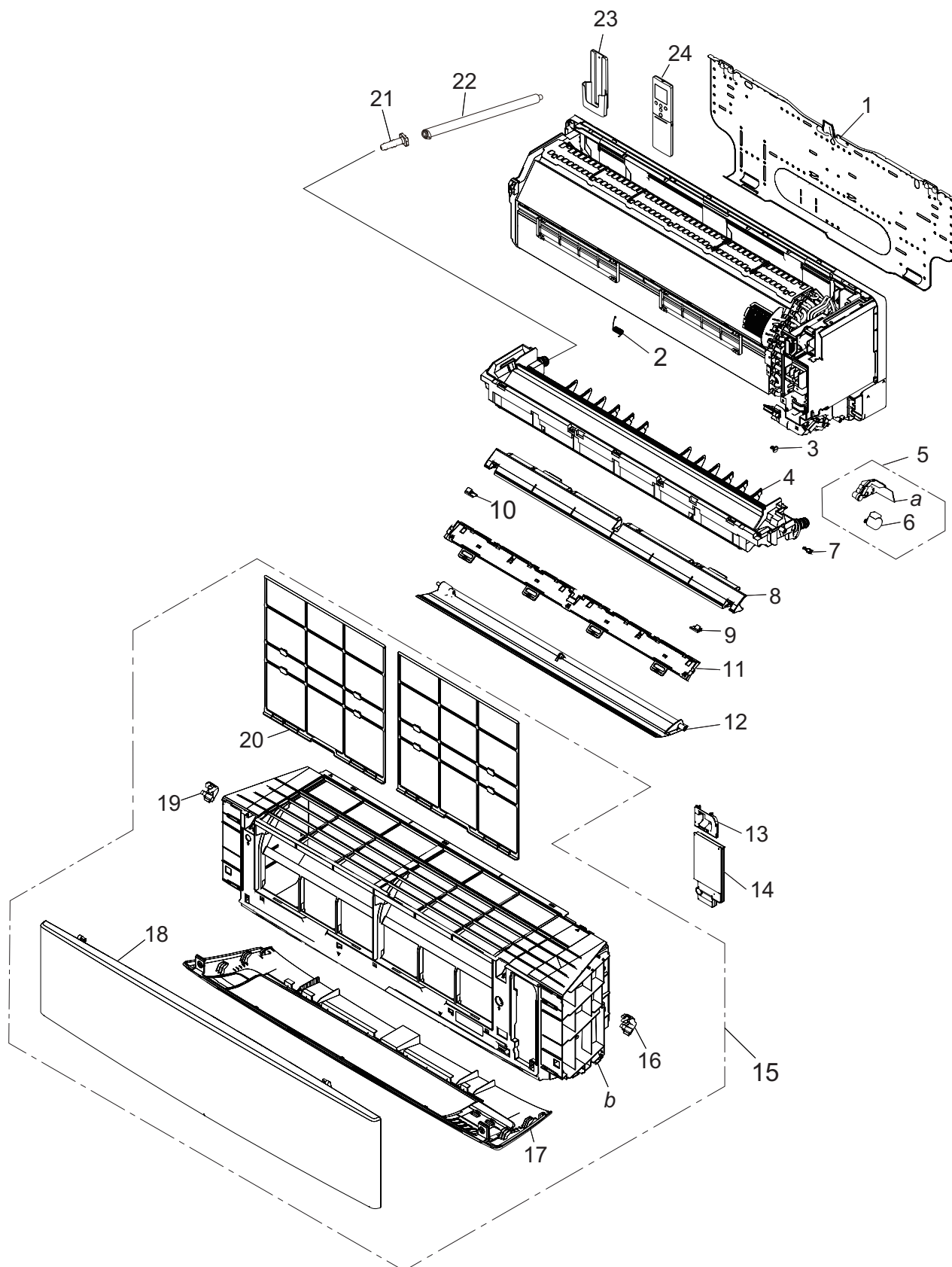
## ⚠ CAUTION

- 
- Service personnel
    - Any person who is involved with working on or breaking into a refrigerant circuit should hold a current valid certificate from an industry-accredited assessment authority, which authorizes their competence to handle refrigerants safely in accordance with an industry recognized assessment specification.
    - Servicing shall only be performed as recommended by the equipment manufacturer. Maintenance and repair requiring the assistance of other skilled personnel shall be carried out under the supervision of the person competent in the use of flammable refrigerants.
    - Servicing shall be performed only as recommended by the manufacturer.
  - Work
    - Prior to beginning work on systems containing flammable refrigerants, safety checks are necessary to ensure that the risk of ignition is minimized. When repairing the refrigerant system, refer to the precautions written in the installation manual of the products before you start servicing.
    - Work shall be undertaken under a controlled procedure so as to minimize the risk of a flammable gas or vapor being present while the work is being performed.
    - All maintenance staff and others working in the local area shall be instructed on the nature of work being carried out.
    - Work in confined spaces shall be avoided.
    - The area around the workspace shall be sectioned off.
    - Ensure that the conditions within the area have been made safe by control of flammable material.
    - Electric shock may occur. After turning off the power, always wait 5 minutes before touching electrical components.
    - Do not touch the fins of the heat exchanger. Touching the heat exchanger fins could result in damage to the fins or personal injury such as skin rupture.
    - Do not place any other electrical products or household belongings under the product.
    - Condensation dripping from the product might get them wet, and may cause damage or malfunction to the property.
  - Checking for presence of refrigerant
    - The area shall be checked with an appropriate refrigerant detector prior to and during work, to ensure the technician is aware of potentially flammable atmospheres.
    - Ensure that the leak detection equipment being used is suitable for use with flammable refrigerants, i.e. non-sparking, adequately sealed or intrinsically safe.
- 
- Service parts information and design are subject to change without notice for product improvement.
  - For the latest information of the service parts, refer to our Service Portal.  
<https://fujitsu-general.force.com/portal/>
  - Precise figure of the service parts listed in this manual may differ from the actual service parts.

## 2. Indoor unit parts list

### 2-1. Models: ASYG07KETA, ASYG07KETA-B, ASYG09KETA, ASYG09KETA-B, ASYG12KETA, ASYG12KETA-B, ASYG14KETA, and ASYG14KETA-B

#### ■ Exterior parts

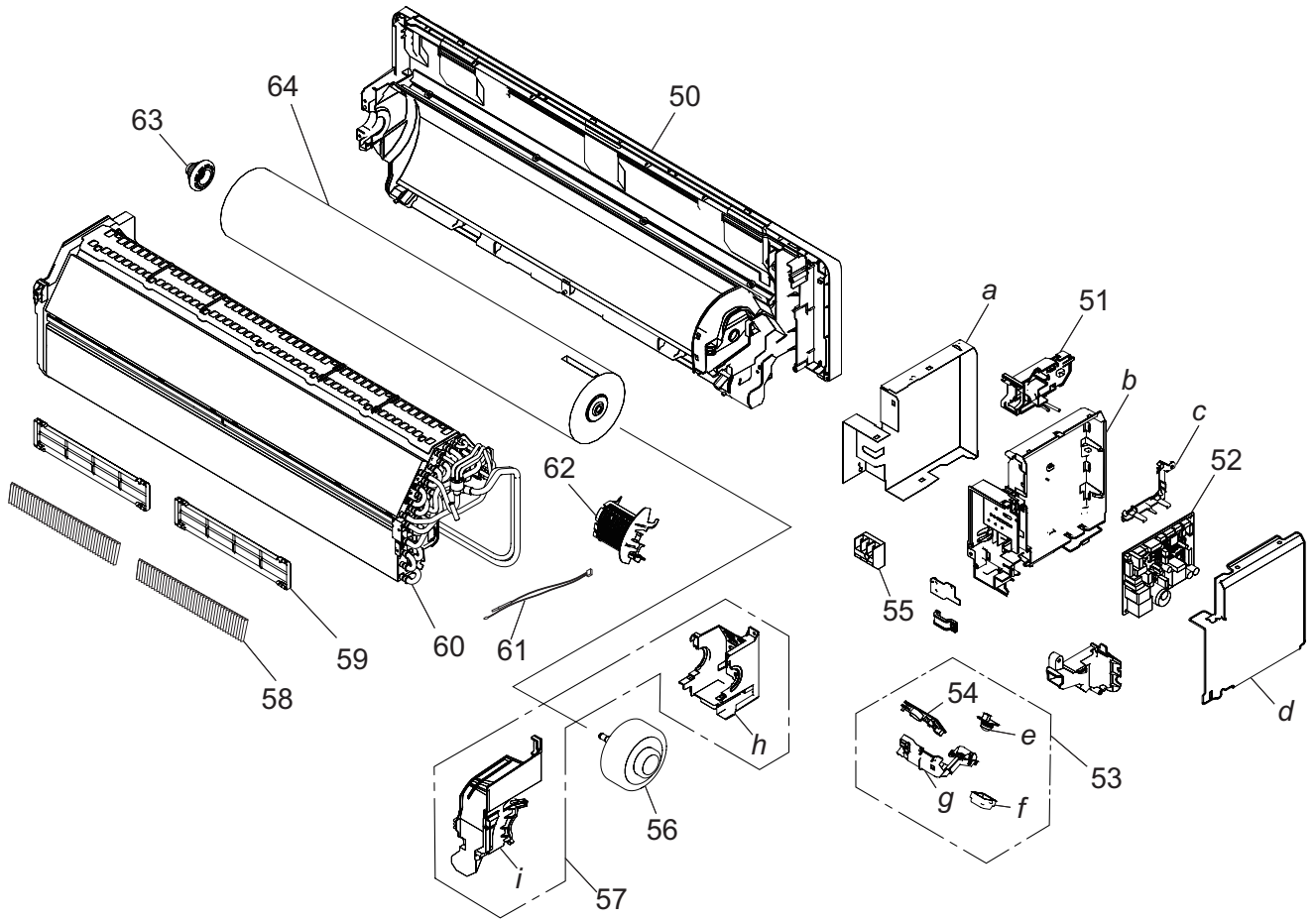


Item no.	Part no.	Part name	Service part
1	9387480023	Bracket panel	◆
2	9387471007	Louver spring	◆
3	9333608006	Bush	◆
4	9387590050	Drain pan total assy	◆
5	9387714036	Step motor holder assy	◆
6	9901011047	Step motor	◆
7	9332861006	Shaft cover (07-14KETA model)	◆
	9332861013	Shaft cover (07-14KETA-B model)	◆
8	9333766072	Blow panel assy (07-14KETA model)	◆
	9333766089	Blow panel assy (07-14KETA-B model)	◆
9	9384065001	Cap (screw) L (07-14KETA model)	◆
	9384065018	Cap (screw) L (07-14KETA-B model)	◆
10	9384066008	Cap (screw) R (07-14KETA model)	◆
	9384066015	Cap (screw) R (07-14KETA-B model)	◆
11	9387711028	Spacer H assy	◆
12	9387479003	U/D louver assy (07-14KETA model)	◆
	9387479034	U/D louver assy (07-14KETA-B model)	◆
13	9383613036	Wire cover B (07-14KETA model)	◆
	9383613043	Wire cover B (07-14KETA-B model)	◆
14	9387597035	Wire cover assy (07-14KETA model)	◆
	9387597073	Wire cover assy (07-14KETA-B model)	◆
15	9387596304	Front panel total assy (07-14KETA model)	◆
	9387596311	Front panel total assy (07-14KETA-B model)	◆
16	9333704005	Grille clamper R	◆
17	9384140005	Under cover assy (07-14KETA model)	◆
	9384140036	Under cover assy (07-14KETA-B model)	◆
18	9387756159	Intake grille assy (07-14KETA model)	◆
	9387756166	Intake grille assy (07-14KETA-B model)	◆
19	9333719009	Grille clamper L	◆
20	9387473018	Air filter	◆
21	9316177017	Drain cap	◆
22	9316904002	Drain hose assy	◆
23	9318912005	Remote controller holder	◆
24	9383712036	Remote controller	◆
<i>a</i>	—	Step motor holder	—
<i>b</i>	—	Front panel	—

# ■ Base, evaporator, and control

TECHNICAL DATA  
AND PARTS LIST

TECHNICAL DATA  
AND PARTS LIST

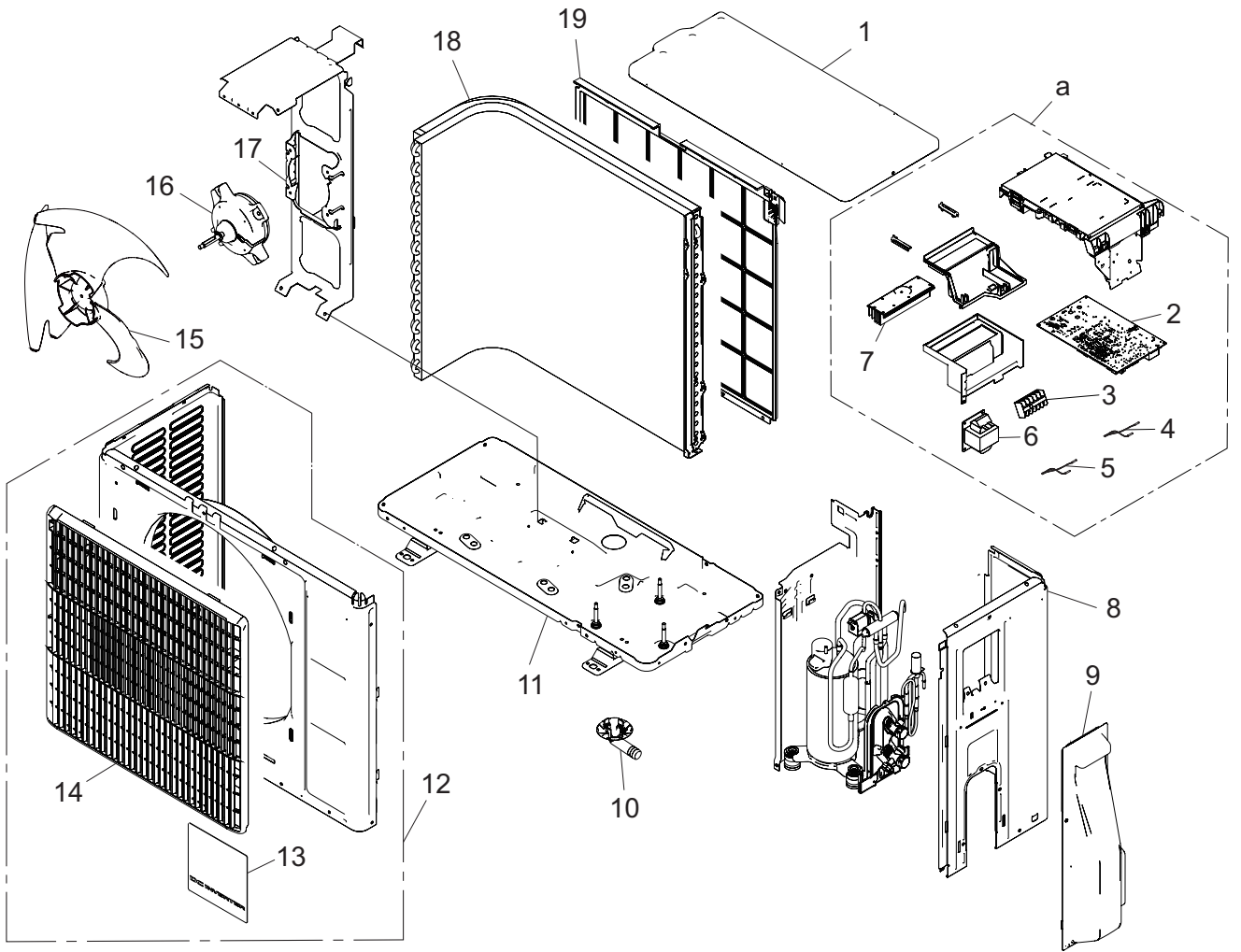


Item no.	Part no.	Part name	Service part
50	9387587012	Base assy (07-14KETA model)	◆
	9387587050	Base assy (07-14KETA-B model)	◆
51	9383765032	WLAN adapter holder assy	◆
52	9711141231	Main PCB (For 07 model)	◆
	9711141132	Main PCB (For 09 model)	◆
	9711141149	Main PCB (For 12 model)	◆
	9711141156	Main PCB (For 14 model)	◆
53	9711382009	Display assy	◆
54	9711358004	PWB ASSY	◆
55	9900369057	Terminal	◆
56	9603768003	Brushless motor (For 07-12 model)	◆
	9603631017	Brushless motor (For 14 model)	◆
57	9387589030	Motor case assy	◆
58	9317250009	Air clean filter assy	◆
59	9332911008	Electric filter holder	◆
60	9387593143	Evaporator total assy (For 07-12 model)	◆
	9387593150	Evaporator total assy (For 14 model)	◆
61	9900627041	Thermistor assy	◆
62	9387467000	Room thermistor holder	◆
63	9333628004	Bearing D assy	◆
64	9387055047	Crossflow fan assy	◆
a	-	Box shield	—
b	-	Control box	—
c	-	PCB holder A	—
d	-	Motion sensor	—
e	-	Front panel cover B assy	—
f	-	Display case assy	—
g	-	Control cover	—
h	-	Motor case	—
i	-	Motor cover	—

### 3. Outdoor unit parts list

#### 3-1. Models: AOYG07KETA, AOYG09KETA, and AOYG12KETA

##### ■ Exterior parts and chassis



TECHNICAL DATA  
AND PARTS LIST

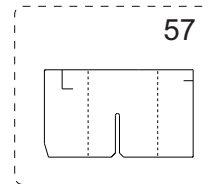
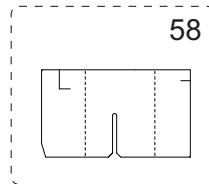
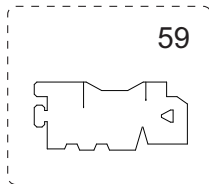
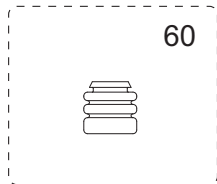
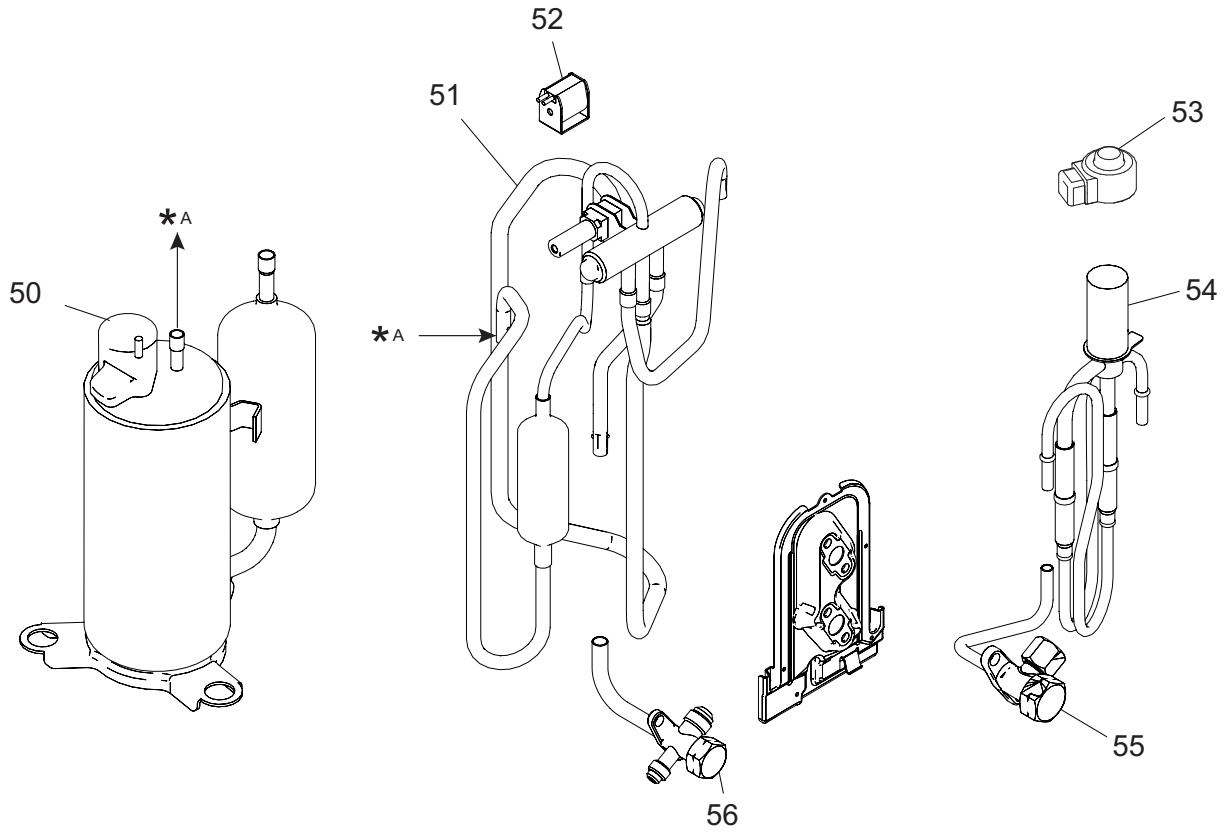
TECHNICAL DATA  
AND PARTS LIST

Item no.	Part no.	Part name	Service part
1	9322556103	Top panel assy	◆
2	9710924330	Main PCB (for 07 model)	◆
	9710924378	Main PCB (for 09 model)	◆
	9710924385	Main PCB (for 12 model)	◆
3	9900435028	Terminal	◆
4	9900727062	Thermistor assy	◆
5	9900565053	Thermistor assy (outdoor temp)	◆
6	9900583019	Reactor assy	◆
7	9322418005	Heat sink	◆
8	9322552112	Cabinet right assy	◆
9	9322570000	Switch cover assy	◆
10	9322144003	Drain pipe	◆
11	9323501003	Base assy	◆
12	9322555106	Front panel assy	◆
13	9387859003	Emblem	◆
14	9322135001	Blow grille	◆
15	9322136008	Propeller fan	◆
16	9603657017	Brushless motor	◆
17	9322553089	Motor bracket assy (for 07-09 model)	◆
	9322553096	Motor bracket assy (for 12 model)	◆
18	9322272010	Condenser total assy (for 07-09 model)	◆
	9322273000	Condenser total assy (for 12 model)	◆
19	9322811004	Protective net	◆
a	—	Inverter assy	—

# Compressor

TECHNICAL DATA  
AND PARTS LIST

TECHNICAL DATA  
AND PARTS LIST





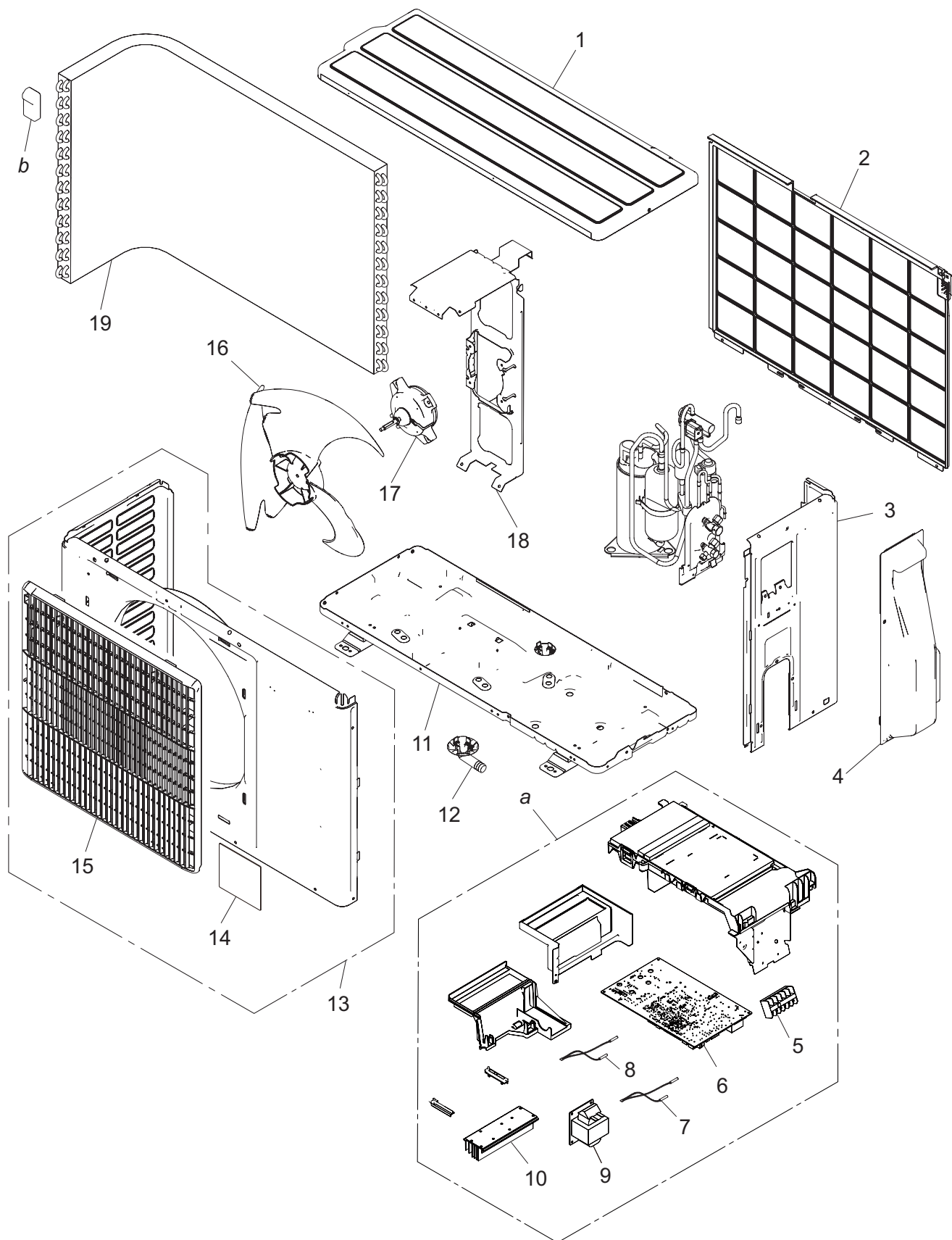
Item no.	Part no.	Part name	Service part
50	9322423009	Compressor assy (for 07-09 model)	◆
	9322425003	Compressor assy (for 12 model)	◆
51	9322392008	4 way valve assy	◆
52	9970110153	Solenoid	◆
53	9970095153	Expansion valve coil	◆
54	9322403018	Pulse motor valve	◆
55	9322474025	2 way valve assy	◆
56	9318254051	3 way valve assy	◆
57	9322389008	S insurator H	◆
58	9322388001	S insurator F	◆
59	9322387004	S insurator B	◆
60	9322386007	Cushion rubber	◆

### 3-2. Model: AOYG14KETA

#### ■ Exterior parts and Chassis

TECHNICAL DATA  
AND PARTS LIST

TECHNICAL DATA  
AND PARTS LIST

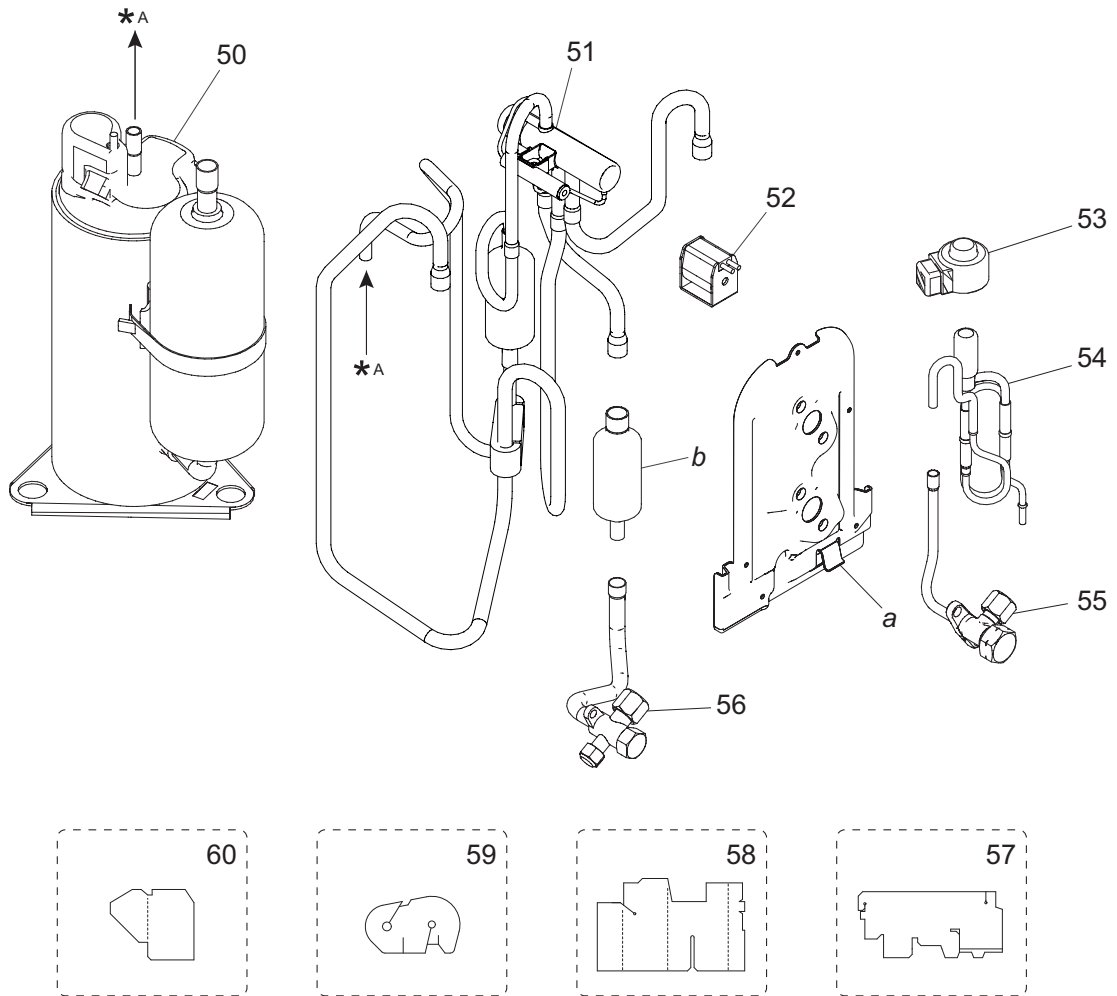


Item no.	Part no.	Part name	Service part
1	9322556028	Top panel assy	◆
2	9322811011	Protective net	◆
3	9322552020	Cabinet right assy	◆
4	9322570000	Switch cover assy	◆
5	9900435028	Terminal	◆
6	9710924392	Main PCB	◆
7	9900727062	Thermistor assy	◆
8	9900565060	Thermistor (Outdoor temp.)	◆
9	9900583019	Reactor assy	◆
10	9322418005	Heat sink	◆
11	9322314024	Base assy	◆
12	9322144003	Drain pipe	◆
13	9322555014	Front panel assy	◆
14	9319151007	Emblem	◆
15	9322135001	Blow grille	◆
16	9322136008	Propeller fan	◆
17	9603657017	Brushless motor	◆
18	9322553010	Motor bracket assy	◆
19	9322275004	Condenser total assy	◆
<i>a</i>	—	Inverter assy	—
<i>b</i>	—	Hair pin cushion	—

# Compressor

TECHNICAL DATA  
AND PARTS LIST

TECHNICAL DATA  
AND PARTS LIST


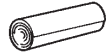




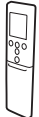
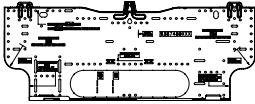


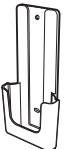
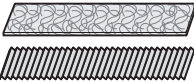
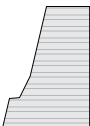


Item no.	Part no.	Part name	Service part
50	9322427007	Compressor assy	◆
51	9322444011	4-way valve assy	◆
52	9970110160	Solenoid	◆
53	9970095122	Expansion valve coil	◆
54	9322463005	Pulse motor valve assy	◆
55	9322474001	2-way valve assy	◆
56	9322475008	3-way valve assy	◆
57	9322535009	S-insulator B	◆
58	9322536006	S-insulator F	◆
59	9322537003	S-insulator H	◆
60	9323045002	S-insulator V	◆
a	—	Valve bracket	—
b	—	Muffler	—

## 4. Accessories



### 4-1. Indoor unit

- **Models: ASYG07KETA, ASYG07KETA-B, ASYG09KETA, ASYG09KETA-B, ASYG12KETA, ASYG12KETA-B, ASYG14KETA, and ASYG14KETA-B**

Part name	Exterior	Q'ty	Part name	Exterior	Q'ty
Operating manual		1	Cloth tape		1
Operating manual (CD-ROM)		1	Tapping screw (large)		5
Installation manual		1	Tapping screw (small)		2
Remote controller		1	Wall hook bracket		1
Battery		2	Filter holder		2
Remote controller holder		1	Air cleaning filters		1
Template (for pipe cover cutting)		1			

### 4-2. Outdoor unit

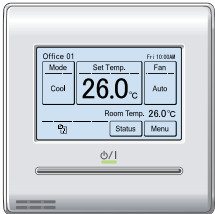
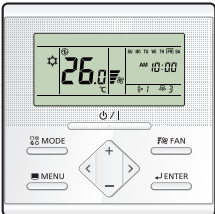
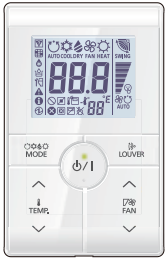

- **Models: AOYG07KETA, AOYG09KETA, AOYG12KETA, and AOYG14KETA**

Part name	Exterior	Q'ty	Part name	Exterior	Q'ty
Installation manual		1	Drain pipe		1

## 5. Optional parts



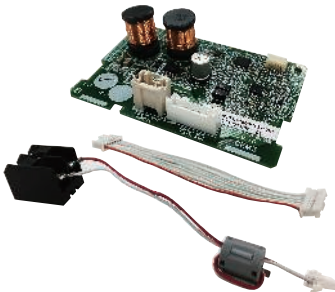

### 5-1. Indoor unit

#### ■ Controllers

Exterior	Part name	Model name	Summary
	Wired remote controller	UTY-RNRYZ*	Easy finger touch operation with LCD panel. Backlit LCD enables easy operation in a dark room. Wire type: Non-polar 2-wire Optional communication kit is necessary for installation.
	Wired remote controller	UTY-RLRY	High visibility and easy operation. Room temperature can be accurately controlled using the built-in thermo sensor. Wire type: Non-polar 2-wire Optional communication kit is necessary for installation.
	Simple remote controller	UTY-RSRY	Compact remote controller concentrates on the basic functions such as Start/Stop, fan control, temperature setting, and operation mode. Wire type: Non-polar 2-wire Optional communication kit is necessary for installation.
	Simple remote controller	UTY-RHRY	Compact remote controller concentrates on the basic functions such as Start/Stop, fan control, and temperature setting. Wire type: Non-polar 2-wire Optional communication kit is necessary for installation.

**NOTE:** Available functions may differ by the remote controller. For details, refer to the operation manual.

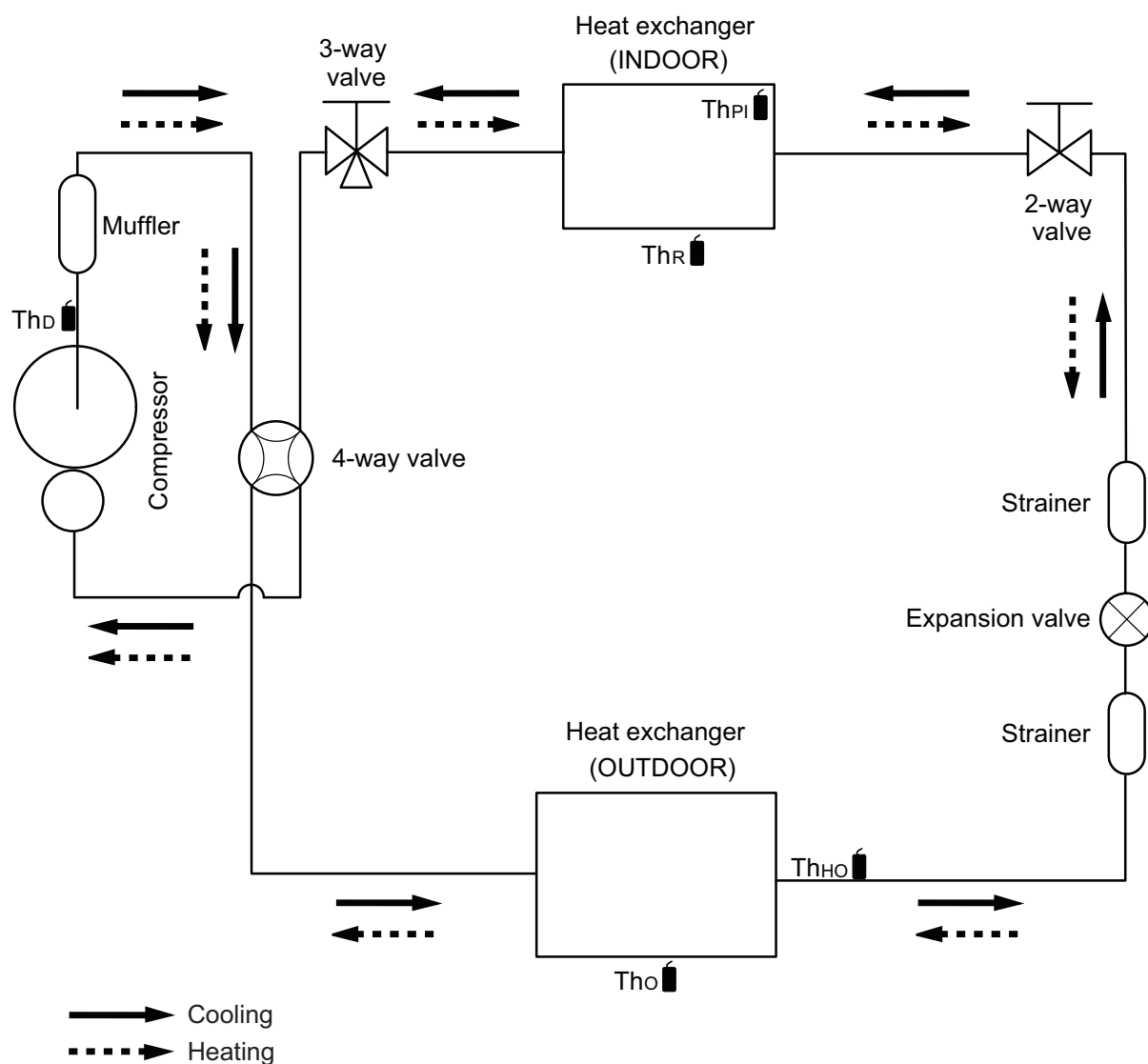
## Others


Exterior	Part name	Model name	Summary
	External connect kit	UTY-XWZXZ5	Required when external device is connected. Optional communication kit is necessary for installation.
	External input and output PCB	UTY-XCSXZ2	Use to connect with external devices and air conditioner PCB.
	Communication kit	UTY-TWRXZ2	Use to connect Non-polar 2-core wired remote controller.
	Wireless LAN adapter	UTY-TFSXF2	Remotely manage an air conditioning system using mobile devices such as smartphones and tablets.





## 6. Refrigerant system diagrams


### 6-1. Models: AOYG07KETA, AOYG09KETA, and AOYG12KETA




ThD  : Thermistor (Discharge temperature)

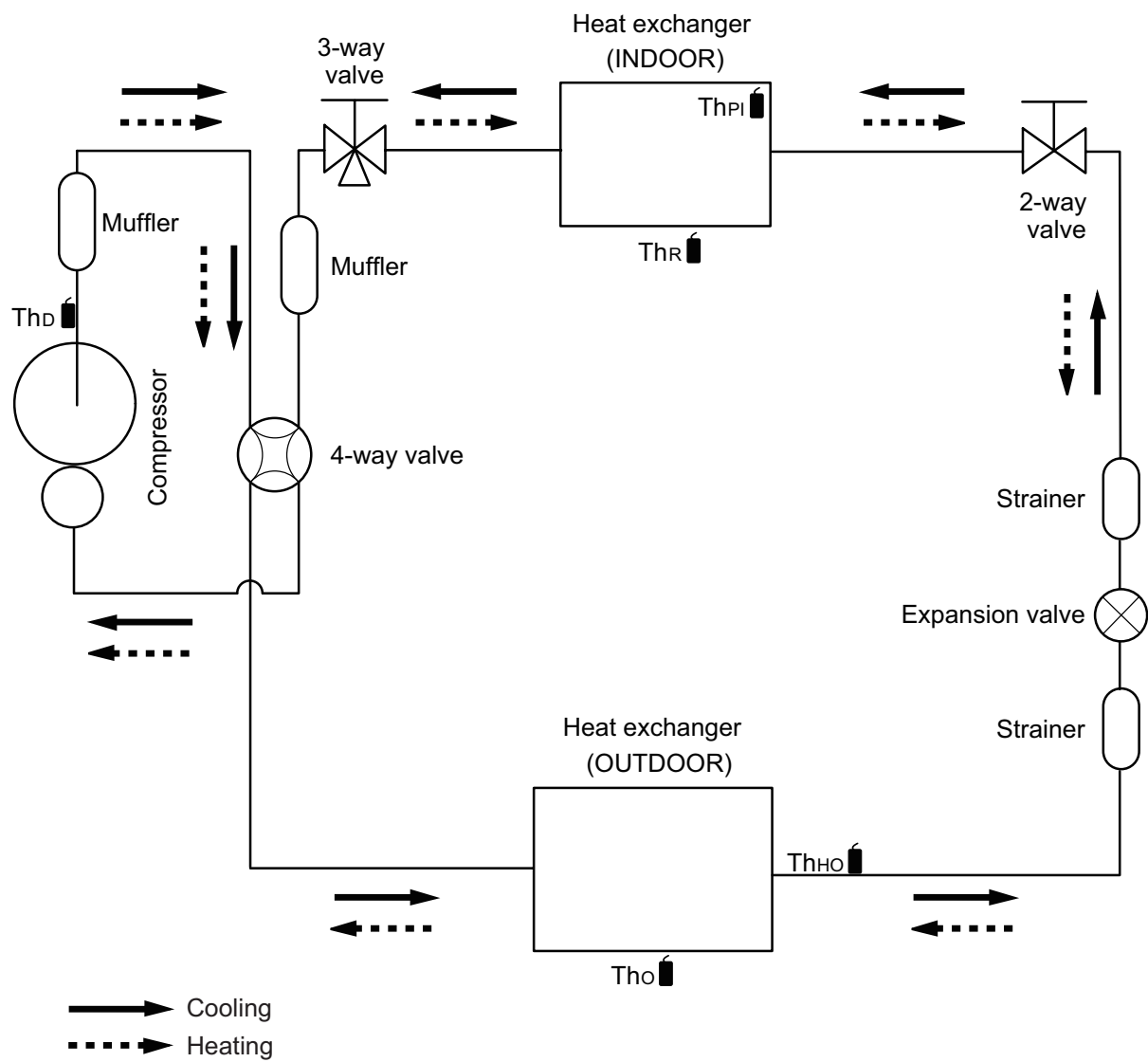
ThO  : Thermistor (Outdoor temperature)

ThHO  : Thermistor (Heat exchanger out temperature)

ThR  : Thermistor (Room temperature)

ThPI  : Thermistor (Pipe temperature)

## 6-2. Model: AOYG14KETA



- $Th_D$  : Thermistor (Discharge temperature)  
 $Th_o$  : Thermistor (Outdoor temperature)  
 $Th_{HO}$  : Thermistor (Heat exchanger out temperature)  
 $Th_R$  : Thermistor (Room temperature)  
 $Th_{PI}$  : Thermistor (Pipe temperature)

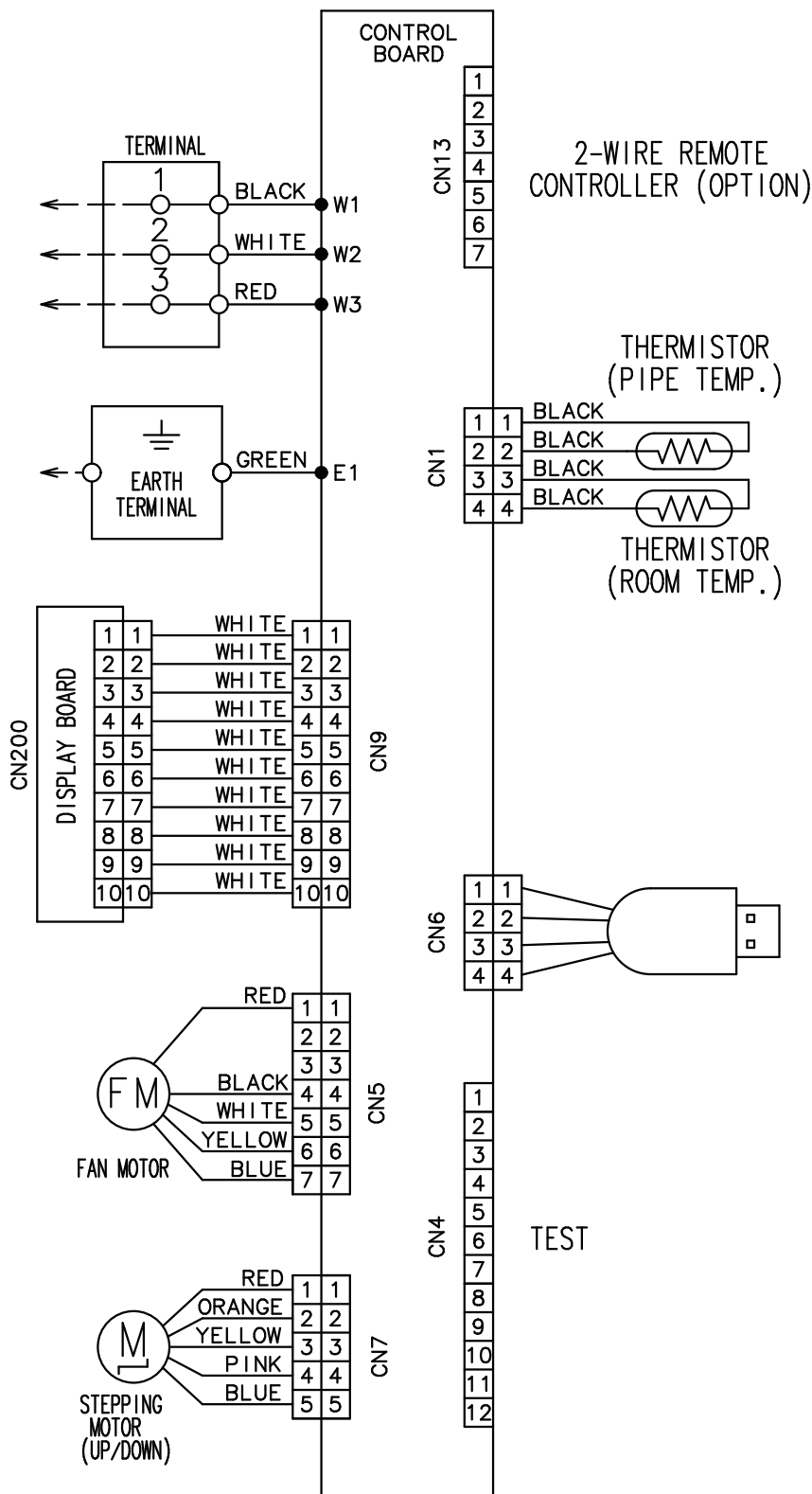
# 7. Wiring diagrams

## 7-1. Indoor unit

- Models: ASYG07KETA, ASYG07KETA-B, ASYG09KETA, ASYG09KETA-B, ASYG12KETA, ASYG12KETA-B, ASYG14KETA, and ASYG14KETA-B

TECHNICAL DATA AND PARTS LIST

TECHNICAL DATA AND PARTS LIST

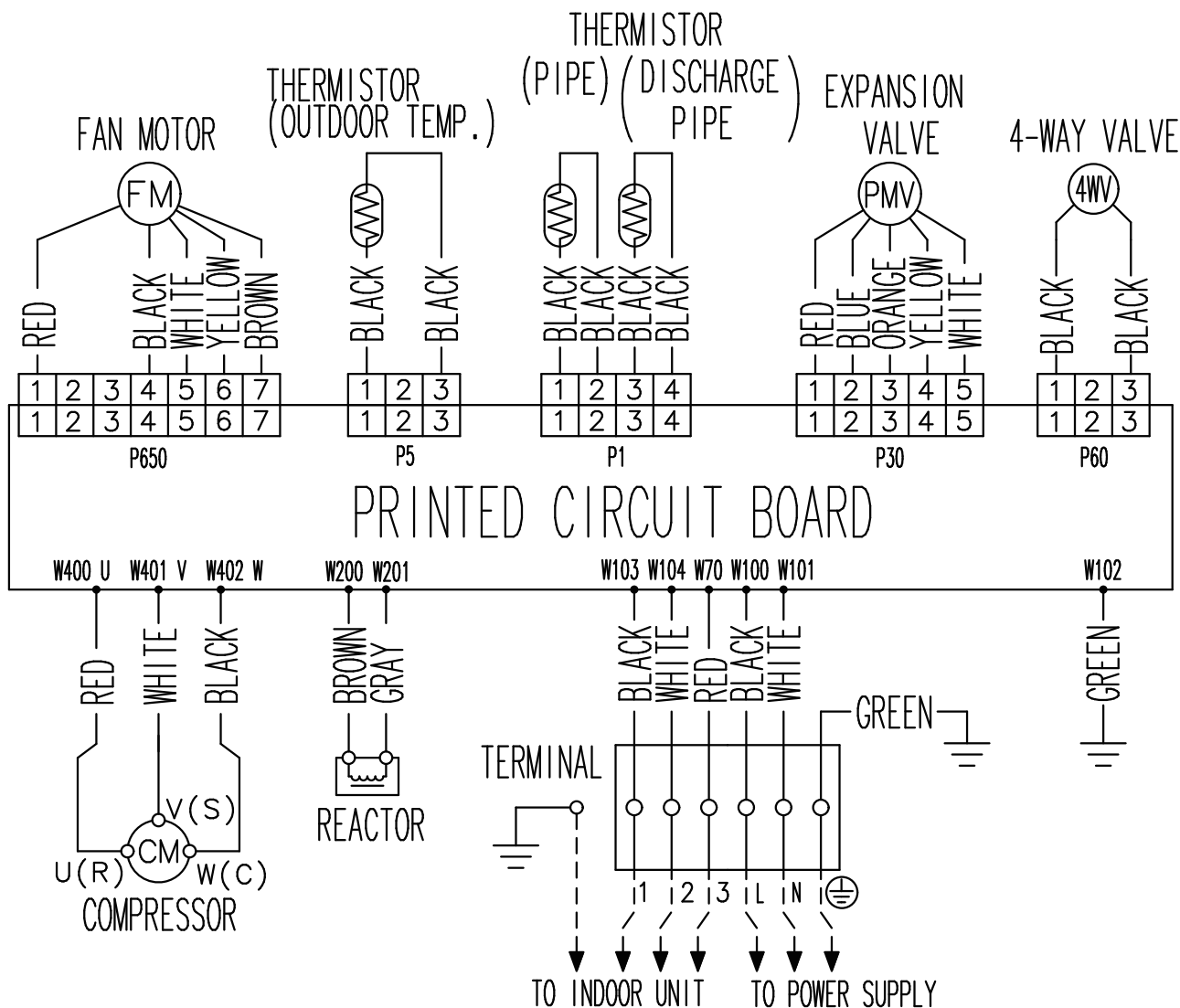


## 7-2. Outdoor unit

### Models: AOYG07KETA, AOYG09KETA, AOYG12KETA, and AOYG14KETA

TECHNICAL DATA  
AND PARTS LIST

TECHNICAL DATA  
AND PARTS LIST



## 8. PC board diagrams

# 8-1. Models: ASYG07KETA, ASYG07KETA-B, ASYG09KETA, ASYG09KETA-B, ASYG12KETA, ASYG12KETA-B, ASYG14KETA, and ASYG14KETA-B

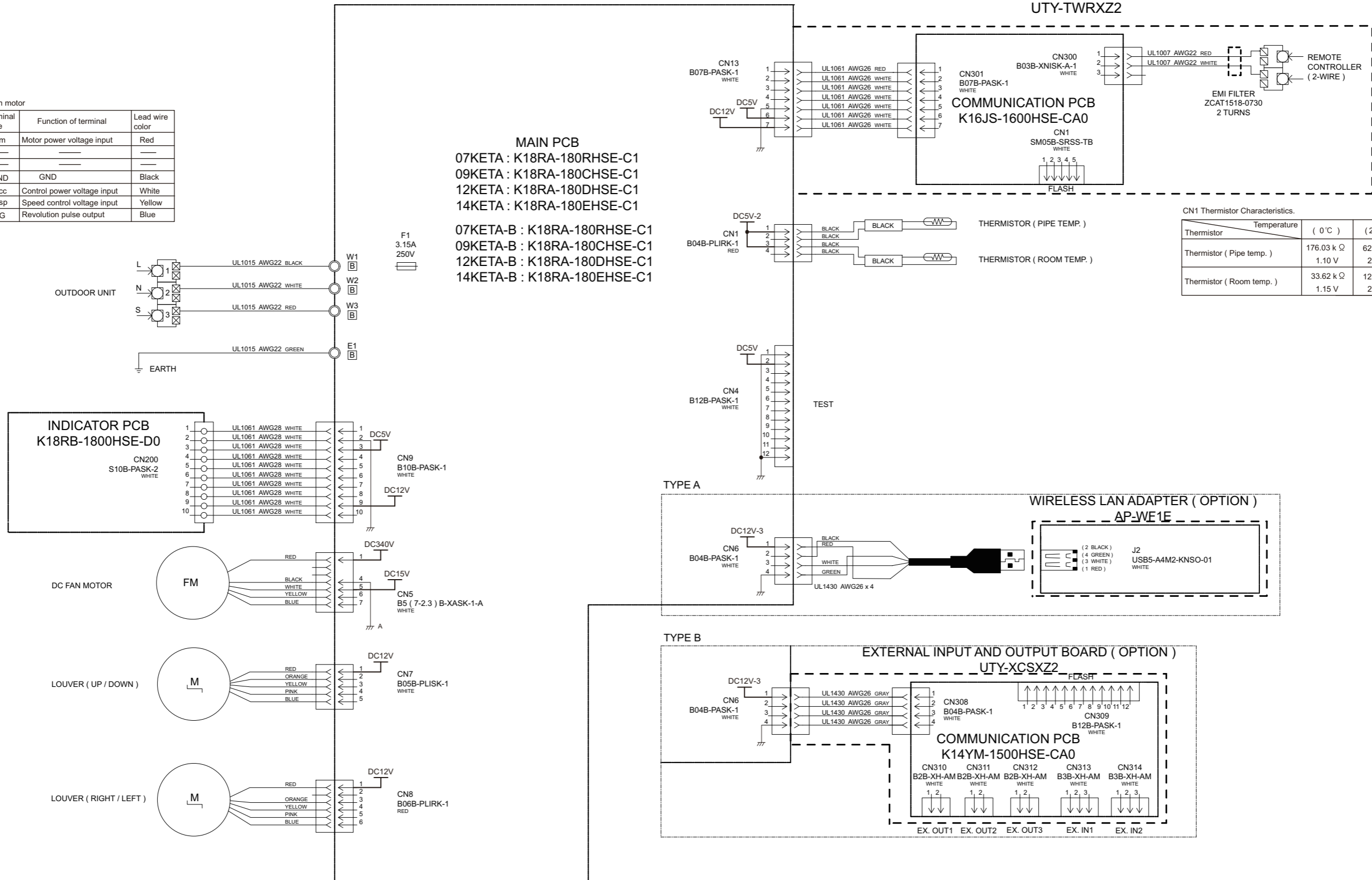
TECHNICAL DATA AND PARTS LIST

TECHNICAL DATA AND PARTS LIST

CONTROL UNIT					
07KETA	:	EZ-0198HSE	07KETA-B	:	EZ-0198HSE
09KETA	:	EZ-0199HSE	09KETA-B	:	EZ-0199HSE
12KETA	:	EZ-019AHSE	12KETA-B	:	EZ-019AHSE
14KETA	:	EZ-019BHSE	14KETA-B	:	EZ-019BHSE

CN5 DC Fan motor

Pin No.	Terminal code	Function of terminal	Lead wire color
1	Vm	Motor power voltage input	Red
2	---	---	---
3	---	---	---
4	GND	GND	Black
5	Vcc	Control power voltage input	White
6	Vsp	Speed control voltage input	Yellow
7	FG	Revolution pulse output	Blue

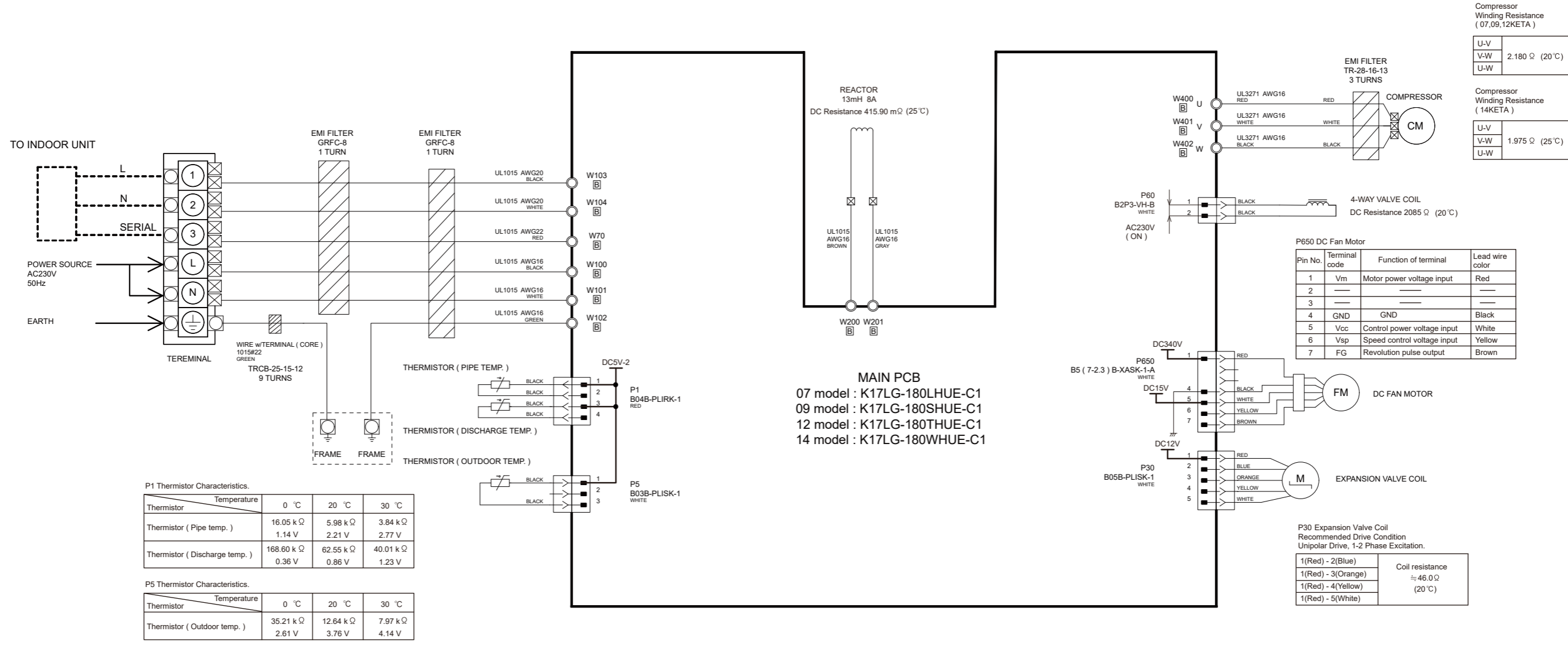


CN1 Thermistor Characteristics.

Thermistor	Temperature		
	( 0°C )	( 20°C )	( 30°C )
Thermistor ( Pipe temp. )	176.03 k Ω	62.91 k Ω	39.57 k Ω
	1.10 V	2.21 V	2.79 V
Thermistor ( Room temp. )	33.62 k Ω	12.54 k Ω	8.04 k Ω
	1.15 V	2.22 V	2.77 V

# 8-2. Models: AOYG07KETA, AOYG09KETA, AOYG12KETA, and AOYG14KETA

INVERTER ASSEMBLY  
 07 model : EZ-01830HUE  
 09 model : EZ-01831HUE  
 12 model : EZ-01832HUE  
 14 model : EZ-01833HUE



P1 Thermistor Characteristics.

Thermistor	Temperature	0 °C	20 °C	30 °C
Thermistor ( Pipe temp. )	Resistance	16.05 k Ω	5.98 k Ω	3.84 k Ω
	Voltage	1.14 V	2.21 V	2.77 V
Thermistor ( Discharge temp. )	Resistance	168.60 k Ω	62.55 k Ω	40.01 k Ω
	Voltage	0.36 V	0.86 V	1.23 V

P5 Thermistor Characteristics.

Thermistor	Temperature	0 °C	20 °C	30 °C
Thermistor ( Outdoor temp. )	Resistance	35.21 k Ω	12.64 k Ω	7.97 k Ω
	Voltage	2.61 V	3.76 V	4.14 V

P650 DC Fan Motor

Pin No.	Terminal code	Function of terminal	Lead wire color
1	Vm	Motor power voltage input	Red
2	—	—	—
3	—	—	—
4	GND	GND	Black
5	Vcc	Control power voltage input	White
6	Vsp	Speed control voltage input	Yellow
7	FG	Revolution pulse output	Brown

P30 Expansion Valve Coil  
 Recommended Drive Condition  
 Unipolar Drive, 1-2 Phase Excitation.

1(Red) - 2(Blue)	Coil resistance ≈ 46.0 Ω (20 °C)
1(Red) - 3(Orange)	
1(Red) - 4(Yellow)	
1(Red) - 5(White)	

Compressor Winding Resistance ( 07,09,12KETA )

U-V	2.180 Ω (20 °C)
V-W	
U-W	

Compressor Winding Resistance ( 14KETA )

U-V	1.975 Ω (25 °C)
V-W	
U-W	

MAIN PCB  
 07 model : K17LG-180LHUE-C1  
 09 model : K17LG-180SHUE-C1  
 12 model : K17LG-180THUE-C1  
 14 model : K17LG-180WHUE-C1