

CVA-M

ELECTRICAL DUCT HEATERS

Overheat protection

All heaters CVA-M have two types of overheat protection. One with an automatic reset which activates when the temperature has reached 50°C and one which has to be reset manually when the temperature has reached 100°C. CVA-M heaters cannot be supplied with internal temperature control. (Please refer to other types CVA electrical heaters)

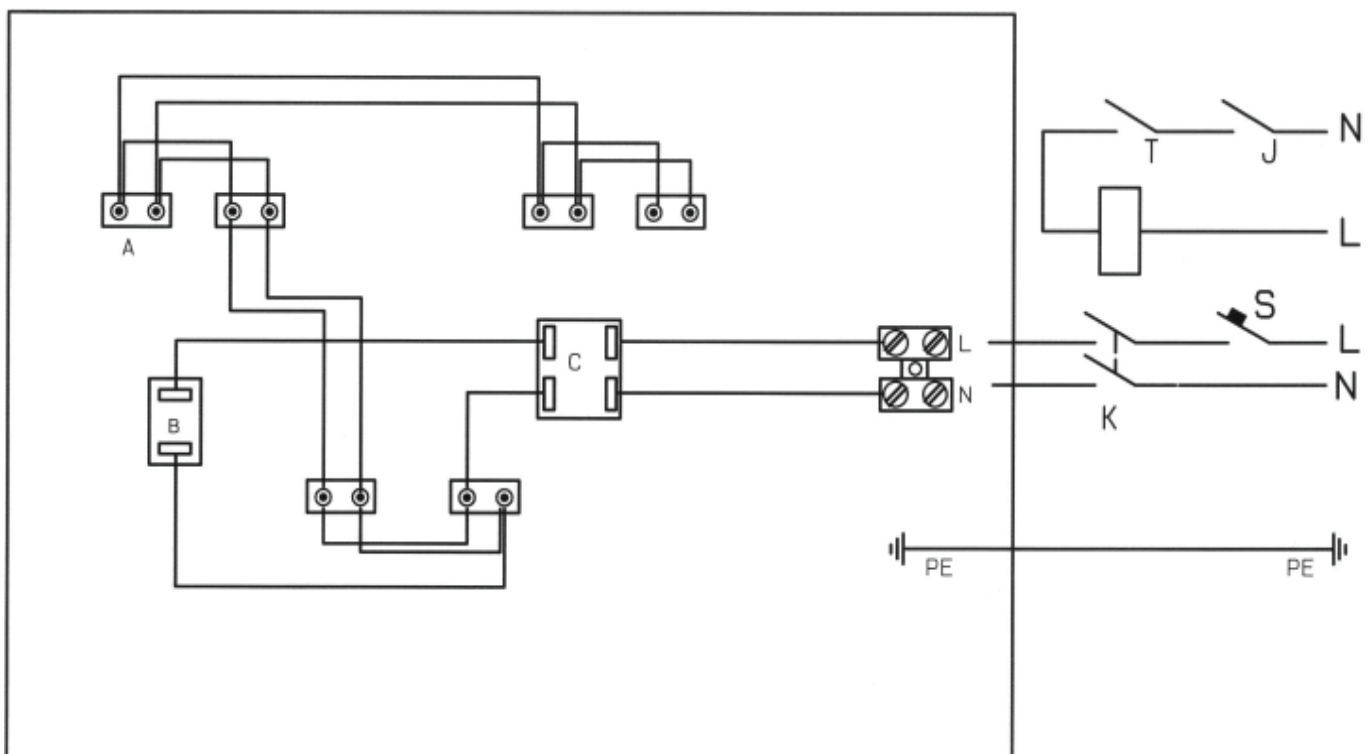
When the overheating cut-out with manual reset has been activated, the following should be done:

- Turn off the main power.
- Investigate carefully the reason(s) for activation of the cut-out.
- When the fault has been eliminated, the manual overheat protection can be reset.

CVA heater with external temperature regulator

Wiring diagrams

- A - heating element
- B - overheating protection with automatic reset
- C - overheating protection with manual reset
- J - interlock (e.g. pressure switch)
- K - contactor
- S - all phase breaker
- T - thermostat

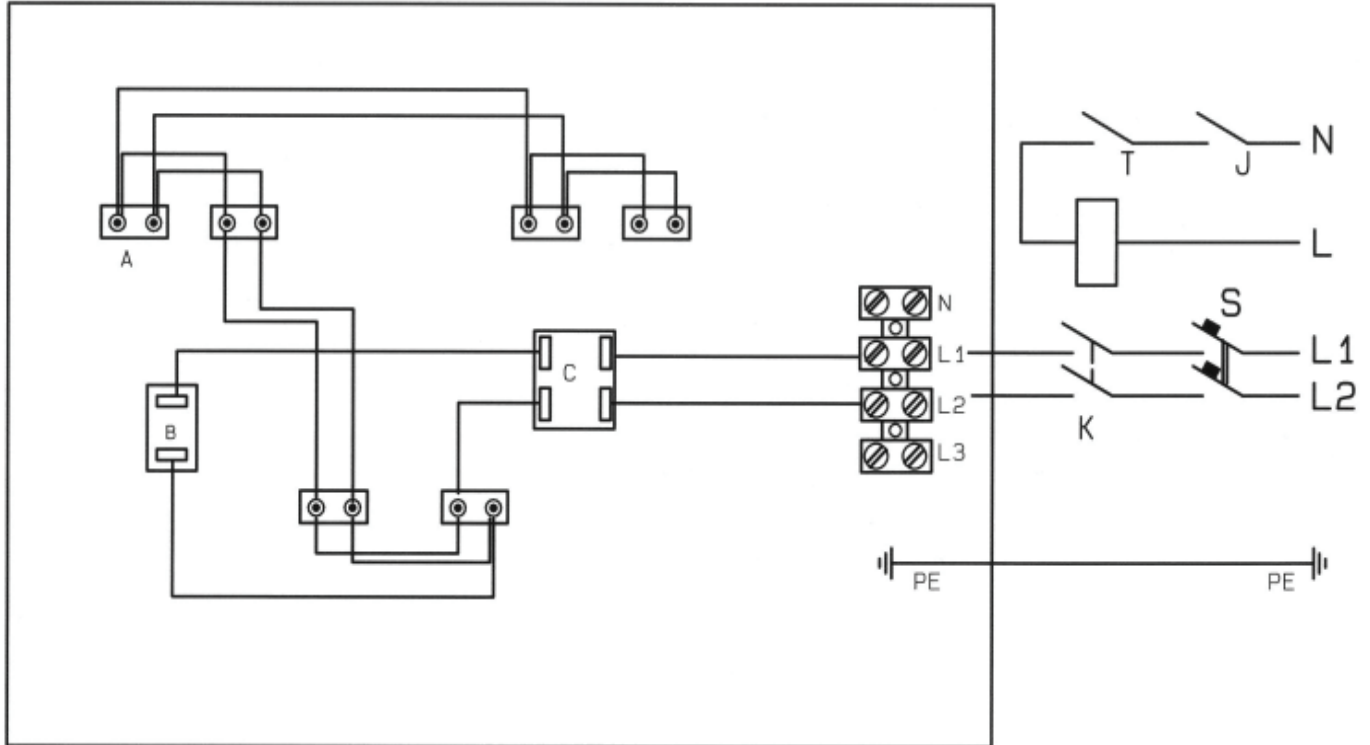


Wiring diagram for single-phase 230 V heater

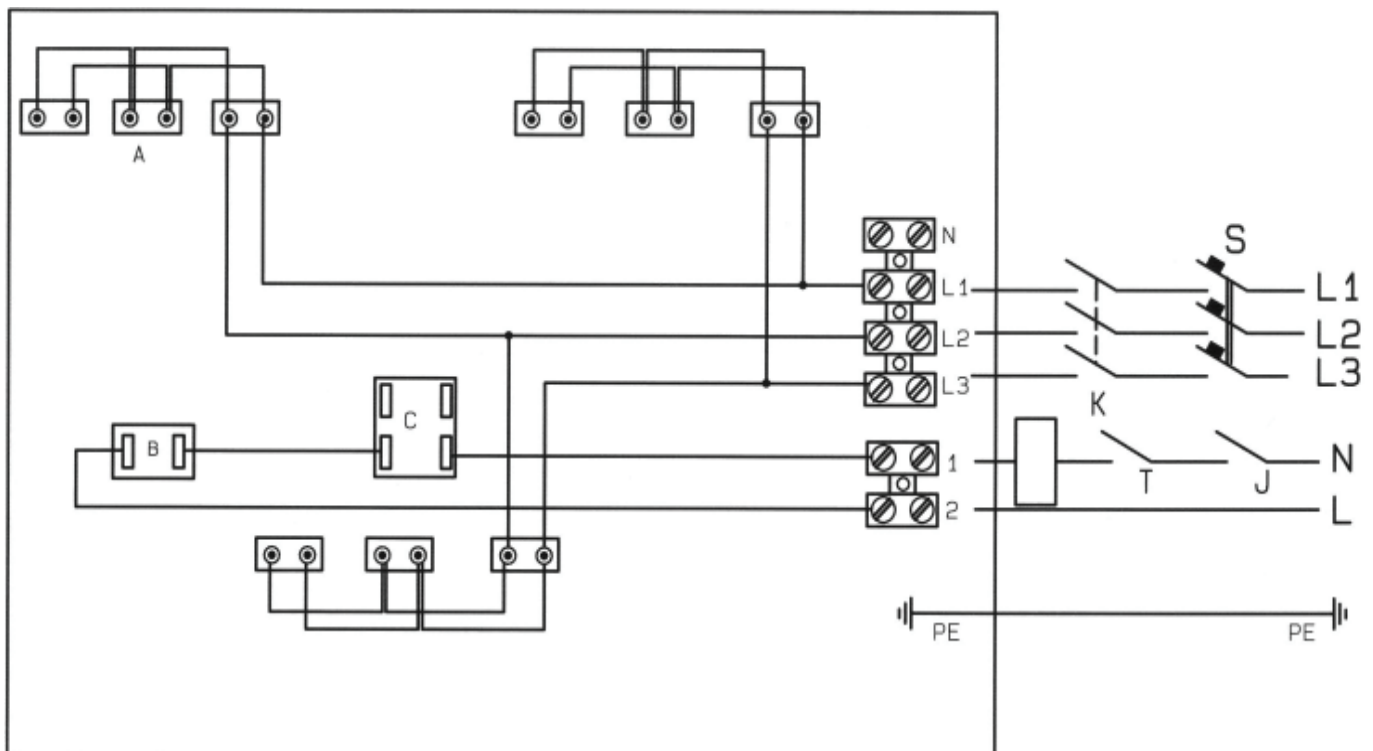
ELECTRICAL DUCT HEATERS

CVA-M

CVA heater with external temperature regulator



Wiring diagram for two-phase 380-400 V heater



Wiring diagram for three-phase 380-400 V heater