



**VENTS INLINE FANS IN
SOUND-INSULATED CASING
USER'S MANUAL**



TT Silent-M

CONTENTS

Safety requirements.....	3
Delivery set	9
Operation guidelines	9
Brief description	9
Designation key	11
Installation and set-up.....	12
Connection to power mains	18
Electronics operation algorithm	22
Technical maintenance.....	24
Troubleshooting.....	25
Storage and transportation regulations.....	25
Manufacturer's warranty	26

This user's manual is a main operating document intended for technical, maintenance, and operating staff.

The manual contains information about purpose, technical details, operating principle, design, and installation of the TT Silent-M unit and all its modifications.

Technical and maintenance staff must have theoretical and practical training in the field of ventilation systems and should be able to work in accordance with workplace safety rules as well as construction norms and standards applicable in the territory of the country.



**FOLLOW THE USER'S MANUAL REQUIREMENTS TO ENSURE DURABLE AND
TROUBLE-FREE OPERATION OF THE UNIT**


SAFETY REQUIREMENTS

This unit is not intended for use by persons (including children) with reduced physical, sensory or mental capabilities, or lack of experience and knowledge, unless they have been given supervision or instruction concerning use of the unit by a person responsible for their safety. Children should be supervised to ensure that they do not play with the unit.

This appliance can be used by children aged from 8 years and above and persons with reduced physical, sensory or mental capabilities or lack of experience and knowledge if they have been given supervision or instruction concerning use of the appliance in a safe way and understand the hazards involved.

Cleaning and user maintenance shall not be made by children without supervision.

Children shall not play with the appliance.



Connection to the mains must be made through a disconnecting device, which is integrated into the fixed wiring system in accordance with the wiring rules for design of electrical units, and has a contact separation in all poles that allows for full disconnection under overvoltage category III conditions.

CAUTION: In order to avoid a safety hazard due to inadvertent resetting of the thermal cut-out, this unit must not be supplied through an external switching device, such as a timer, or connected to a circuit that is regularly switched on and off by the utility.

Precautions must be taken to avoid the back-flow of gases into the room from the open flue of gas or other fuel-burning appliances.

The appliance may adversely affect the safe operation of appliances burning gas or other fuels (including those in other rooms) due to back flow of combustion gases. These gases can potentially result in carbon monoxide poisoning. After installation of the unit the operation of flued gas appliances should be tested by a competent person to ensure that



back flow of combustion gases does not occur.

Fixing means for attachment to the ceiling such as hooks or other devices shall be fixed with a sufficient strength to withstand 4 times the weight of the appliance.

The mounting of the suspension system shall be performed by the manufacturer, its service agent or suitably qualified persons.


The appliance is to be installed so that the blades are more than 2.3m above the floor.

(2,1 m AU)

Ensure that the unit is switched off from the supply mains before removing the guard.

WARNING: If there are any unusual oscillating movements, immediately stop using the unit and contact the manufacturer, its service agent or suitably qualified persons.

The replacement of parts of the safety suspension system device shall be performed by the manufacturer, its service agent or suitably qualified persons.



All operations described in this manual must be performed by qualified personnel only, properly trained and qualified to install, make electrical connections and maintain ventilation units.

Do not attempt to install the product, connect it to the mains, or perform maintenance yourself.


This is unsafe and impossible without special knowledge.

Disconnect the power supply prior to any operations with the unit.

All user's manual requirements as well as the provisions of all the applicable local and national construction, electrical, and technical norms and standards must be observed when installing and operating the unit.

Disconnect the unit from the power supply prior to any connection, servicing, maintenance, and repair operations.

Connection of the unit to power mains is allowed by a qualified electrician with a work permit for the electric units up to 1000 V after careful reading of the present user's manual.



Check the unit for any visible damage of the impeller, the casing, and the grille before starting installation. The casing internals must be free of any foreign objects that can damage the impeller blades.

While mounting the unit, avoid compression of the casing! Deformation of the casing may result in motor jam and excessive noise.

Misuse of the unit and any unauthorised modifications are not allowed.

Do not expose the unit to adverse atmospheric agents (rain, sun, etc.).

Transported air must not contain any dust or other solid impurities, sticky substances, or fibrous materials.

Do not use the unit in a hazardous or explosive environment containing spirits, gasoline, insecticides, etc.

Do not close or block the intake or extract vents in order to ensure the efficient air flow.

Do not sit on the unit and do not put objects on it.

The information in this user's manual was correct at the time of the document's preparation.

The Company reserves the right to modify the technical characteristics, design, or configuration of its products at any time in order to incorporate the latest technological developments.

Never touch the unit with wet or damp hands.

Never touch the unit when barefoot.

BEFORE INSTALLING ADDITIONAL EXTERNAL DEVICES, READ THE RELEVANT USER MANUALS.



**THE PRODUCT MUST BE DISPOSED SEPARATELY AT THE END OF ITS SERVICE LIFE.
DO NOT DISPOSE THE UNIT AS UNSORTED DOMESTIC WASTE.**

DELIVERY SET

Fan	1 pc.
Screws with dowels	4 pcs.
Plastic screwdriver (only for the models with a timer)	1 pc.
User's manual	1 pc.
Packing box	1 pc.

OPERATION GUIDELINES

The fan is rated for connection to single-phase AC 220-240 V/50 Hz or 220 V/60 Hz power mains.

The unit is rated for continuous operation.

The arrow on the fan casing must match the air direction in the system.

The fan is rated as a class II electric appliance.

Ingress protection rating against access to hazardous parts and water ingress is IPX4.

The fan is rated for operation at the ambient air temperature from +1 °C up to +40 °C.

Power [V/Hz]	Transported air temperature [°C]
220-240/50	-25...+60
220/60	-25...+40

To comply with the ErP 2018 regulation, a local demand controller and speed controller must be used.

BRIEF DESCRIPTION

The unit described herein is a mixed-flow duct fan for supply or exhaust ventilation of premises. The fan is designed for connection to ø 100, 125, 150, 160, 200, 250, 315 mm air ducts.

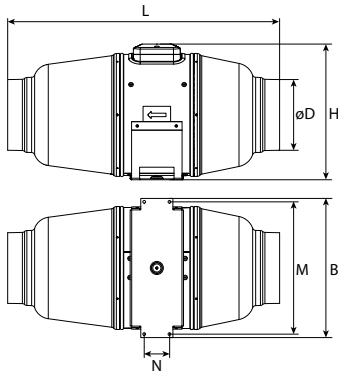
An external control unit can be connected to the fan.

The fan design is constantly being improved, thus some models may be slightly different from those described in this manual.

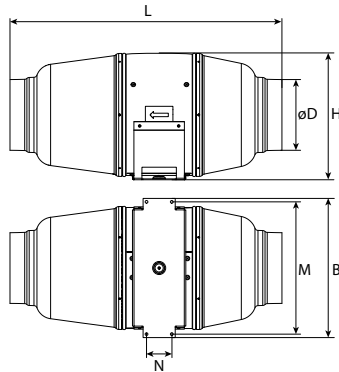
Overall dimensions

	Ø D	B	H	L	M	N
TT Silent-M 100	98	243	237	505	231	44
TT Silent-M 125	123	243	237	474	231	44
TT Silent-M 150	148	314	249	581	261	44
TT Silent-M 160	157	273	263	580	231	44
TT Silent-M 200	198	393	295	558	310	115
TT Silent-M 250	248	445	360	665	370	130
TT Silent-M 315	313	526	434	785	450	180

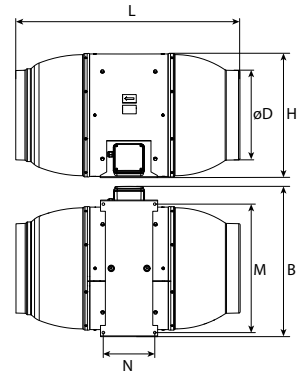
TT Silent-M 100/125/160



TT Silent-M 150



TT Silent-M 200/250/315



DESIGNATION KEY

TT Silent M 100 T

Options:

T: timer

U: speed controller with an electronic thermostat and a temperature sensor integrated into the air duct; power cord with a mains plug. Temperature-based operation logic

Un: speed controller with an electronic thermostat and external temperature sensor fixed on 4 m cable; power cord with a mains plug. Temperature-based operation logic

U1: speed controller with an electronic thermostat and a temperature sensor integrated into the air duct; power cord with a mains plug. Timer-based operation logic

U1n: speed controller with an electronic thermostat and external temperature sensor fixed on 4 m cable; power cord with a mains plug. Timer-based operation logic

U2: speed controller with an electronic thermostat and a temperature sensor integrated into the air duct; power cord with a mains plug. Temperature-based switching on/off

U2n: speed controller with an electronic thermostat and external temperature sensor fixed on 4 m cable; power cord with a mains plug. Temperature-based switching on/off

P: smooth speed controller from 0 to 100 % and a power cord with a mains plug

R: power cord with a mains plug

R4: power cable with 4-pin plug (for models with T option).

V: speed switch

Outlet spigot diameter [mm]

Casing material:

M — metal

Casing design:

Silent – sound-insulated

Fan model

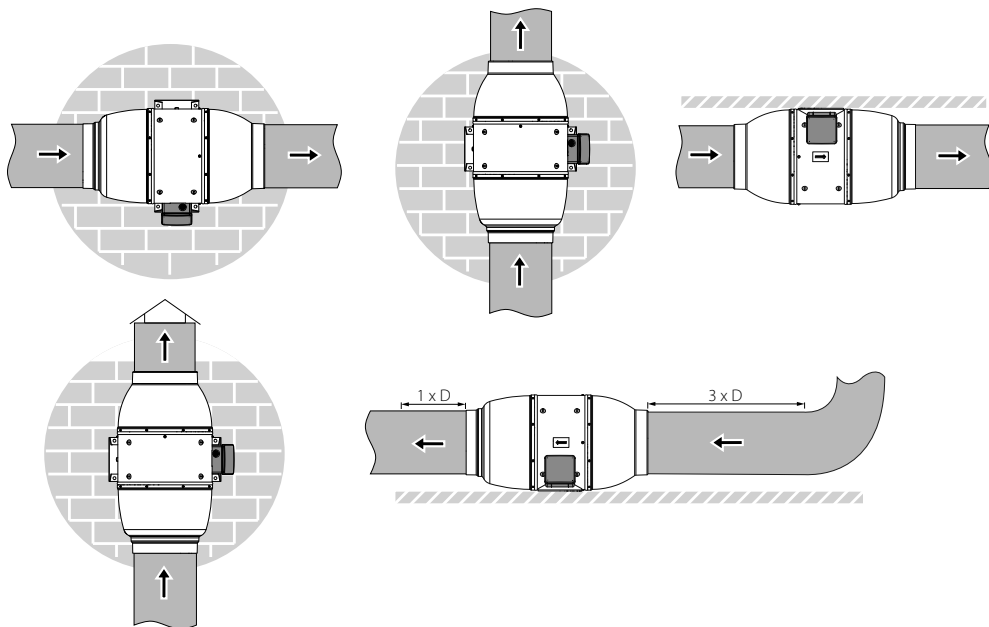
For a description of the fan options, see the «Electronics operation algorithm» section.

INSTALLATION AND SET-UP

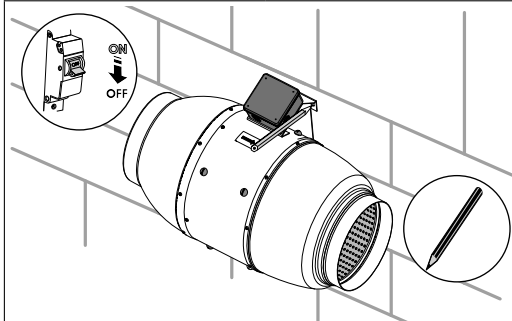
The fan is suitable both for horizontal or vertical mounting on the floor, on the wall or on the ceiling.

While mounting the fan, provide extra protection against water ingress, such as:

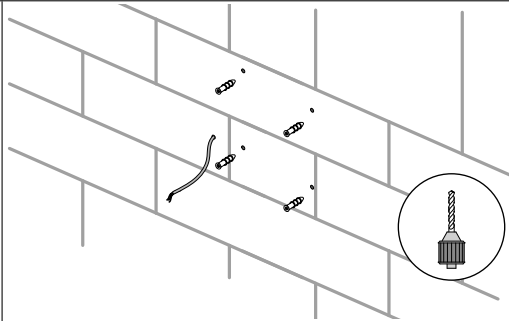
- For the top mounting install an outer protecting hood above.
- For any mounting position connect an air duct on both sides of the fan.



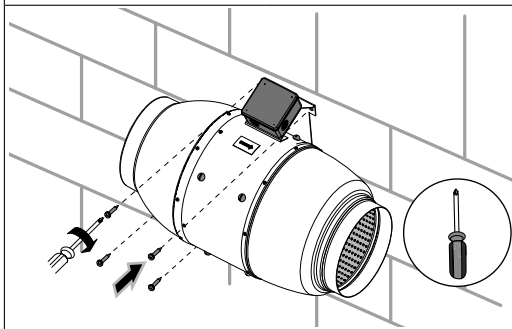
Cut off power supply and make sure electricity has been turned off. Mark the holes for fixing the fan and the power cable.



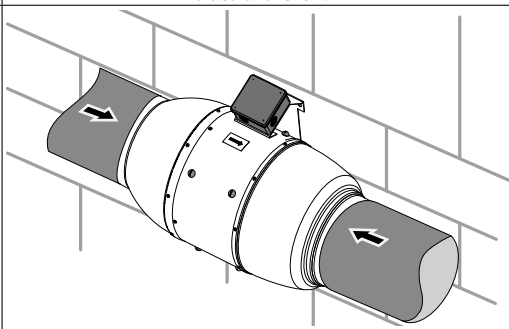
Lead the power cable to the ventilation hole, drill the mounting holes and install the dowels.



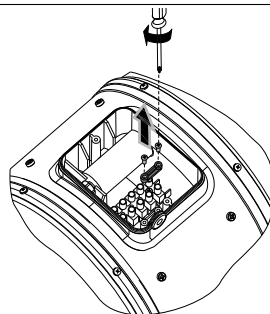
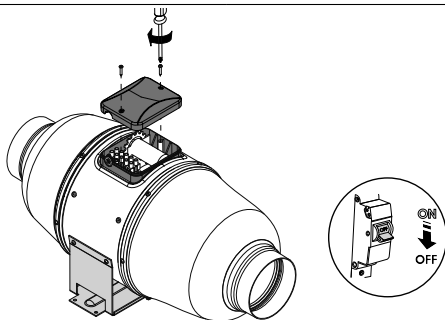
Fix the fan with the screws.



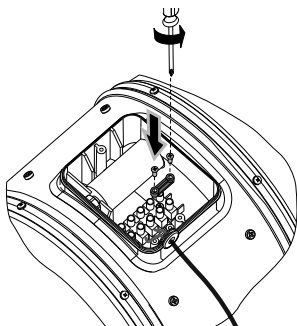
For any mounting position connect an air duct on both sides of the fan.



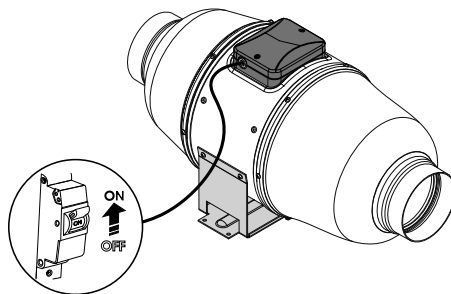
Cut off power supply and make sure electricity has been turned off. Remove the cover of the fan.



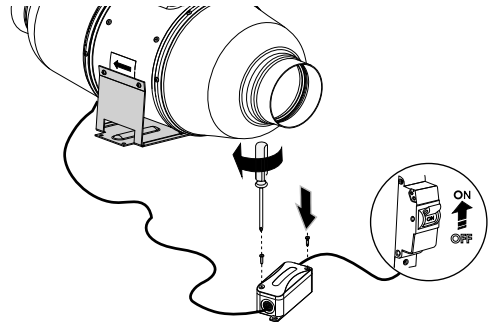
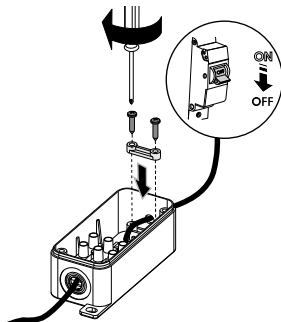
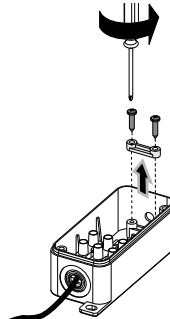
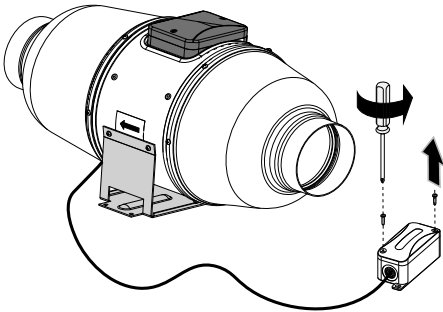
Connect the power cord wires to the terminal block and assemble the fan in reverse order.

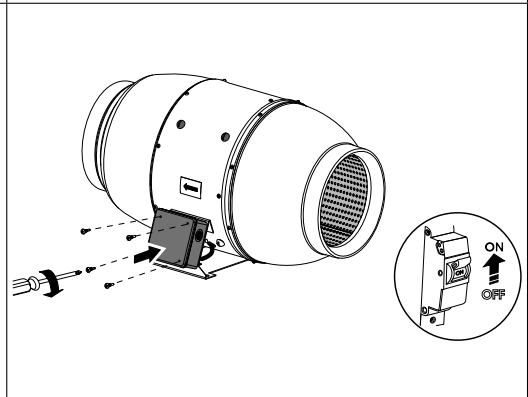
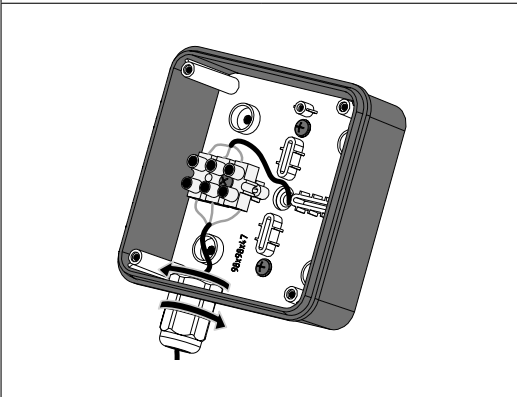
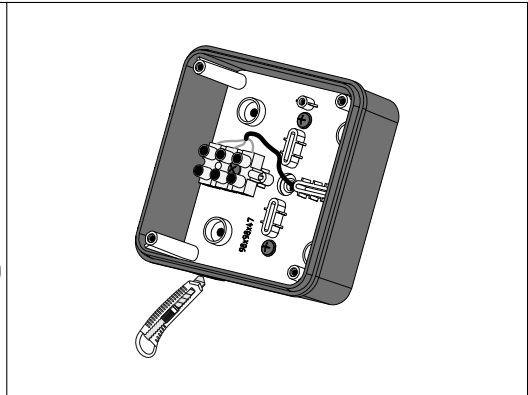
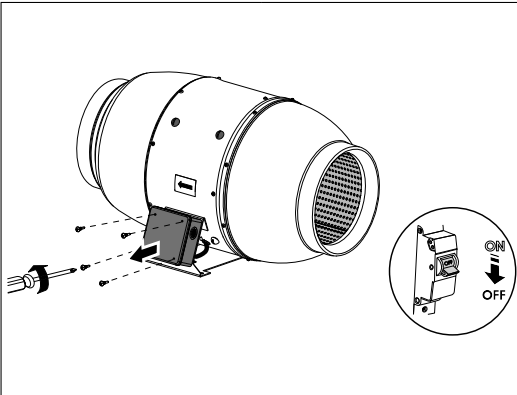


Supply power to the fan.

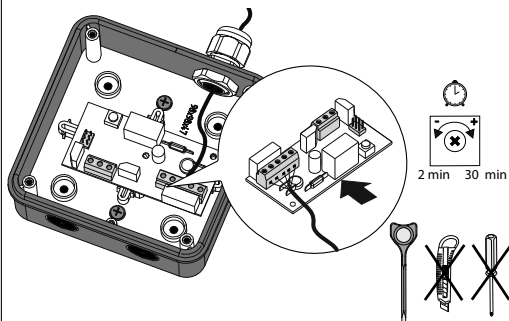


Mounting sequence for different fan models

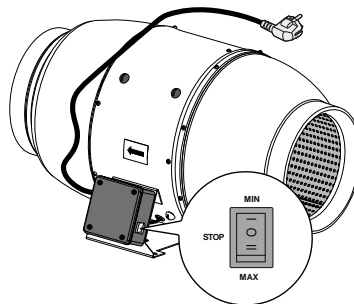




TT Silent-M ... T



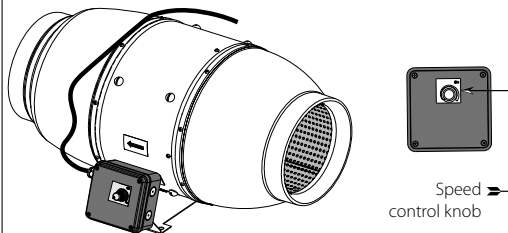
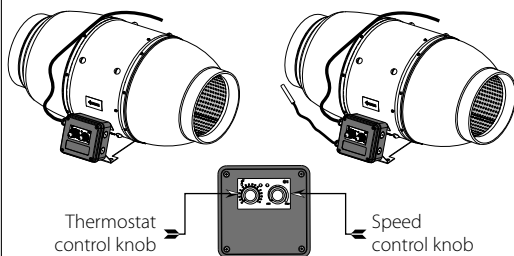
TT Silent-M ... RV



TT Silent-M...U, U1, U2

TT Silent-M...Un, U1n, U2n

TT Silent-M ... P



CONNECTION TO POWER MAINS

The fan is rated for connection to single-phase AC 220-240 V/50 (60) Hz power mains.

TERMINAL DESIGNATIONS ON WIRING DIAGRAMS

L1 — minimum speed terminal

L2 — maximum speed terminal

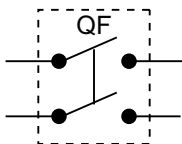
QF — automatic circuit breaker

S — external speed controller

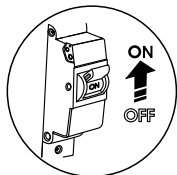
ST — external switch

LT — timer control line

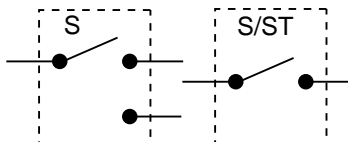
Automatic circuit breaker
designation in the wiring diagram



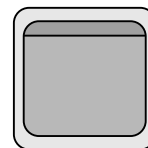
Automatic
circuit breaker



Designation of the external switch on
the wiring diagram

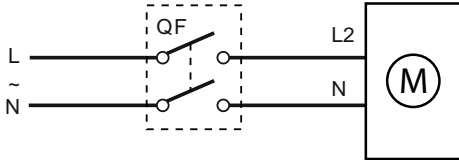


External switch

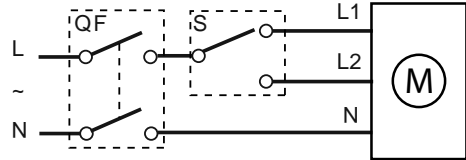


**DO NOT USE A METAL SCREWDRIVER, KNIFE, ETC. FOR ADJUSTMENT
OPERATIONS NOT TO DAMAGE THE CIRCUIT BOARD**

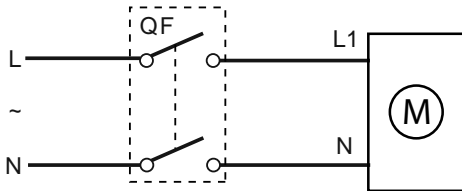
TT Silent-M



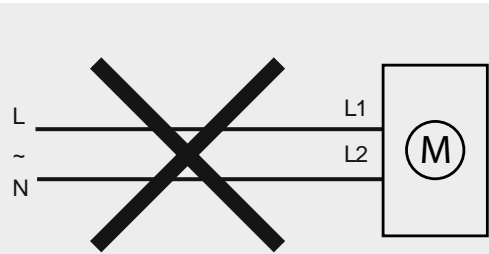
Max



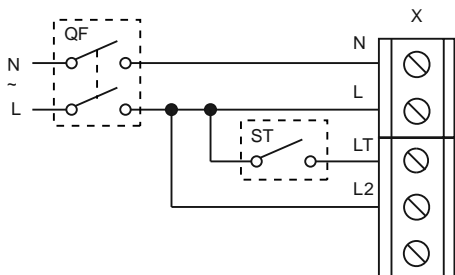
Max/min



Min

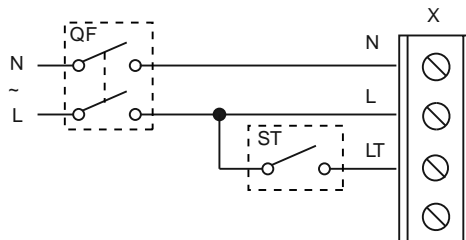


TT Silent-M ... T

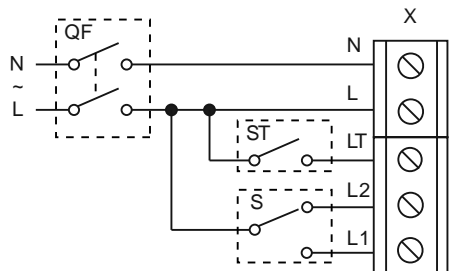


Max

terminal block for 5 contacts

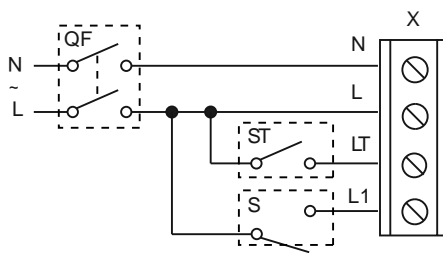


terminal block for 4 contacts

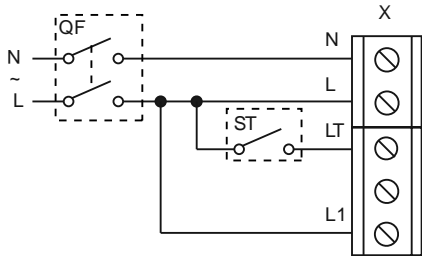


Max/min

terminal block for 5 contacts

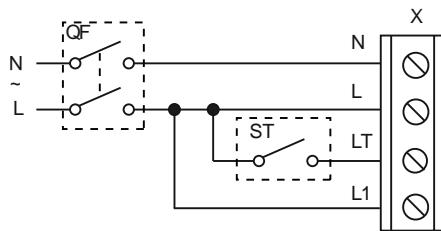


terminal block for 4 contacts

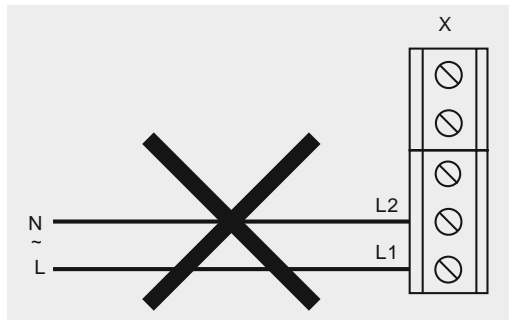


Min

terminal block for 5 contacts



terminal block for 4 contacts



ELECTRONICS OPERATION ALGORITHM

It is possible to control the fan rotation speed without options by voltage, as well as by thyristor controllers. The speed controller is purchased separately.

Warning! When adjusting the voltage, make sure there is no unusual noise or vibration at reduced motor speed. The motor current may exceed the rated current during voltage regulation. The fan is equipped with a thermal switch with no self-reset.

To reset the thermal relay:

- Switch off the power supply.
- Find and eliminate the cause of overheating.
- Make sure the motor has cooled down to operating temperature.
- Switch on the power supply.

The **TT Silent-M ... T** fan starts operation when the control voltage is applied to the LT input terminal by an external switch (e.g. switching on the room light).

After the control voltage is off, the fan continues to operate within the set time period adjustable from 2 to 30 minutes by the timer.

To adjust the fan turn-off delay time, turn the control knob clockwise to increase and counter-clockwise to decrease the turn-off delay time respectively.

Warning! The timer circuit is under mains voltage. Make adjustments only after disconnecting the fan from power mains. The fan is supplied with a special plastic screwdriver for adjusting the fan settings. Use it if you want to change the fan turn-off delay time or the humidity threshold. Using a metal screwdriver, knife, etc. for adjustment may damage the electronics board.

The **TT Silent-M ... U/U1/U2(n)** fan is equipped with an electronic module **TSC** (speed controller with an electronic thermostat) for automatic motor speed (air flow) control depending on the air temperature.

The terminal compartment incorporates 2 control knobs:

- presetting the speed
- setting the threshold for the electronic thermostat

The thermostat operation indicator is located on the fan cover. It lights up when the air temperature exceeds the set value. To set the thermostat threshold, turn the temperature knob clockwise to increase the value and counter-clockwise to decrease the value. To set the fan speed (air flow), rotate the speed control knob in the same way.

The fan operating logic may be based on temperature or timer indications:

TT Silent-M ... U(n): The fan switches to the maximum speed as the room air temperature exceeds the set point. As the air temperature drops 2 °C below the set point or if the initial temperature is below the set point, the fan operates with the set speed.

TT Silent-M ... U1(n): The fan switches to the maximum speed as the room air temperature exceeds the set point. As the air temperature drops down below the set point, the timer starts a 5-minute countdown and then the fan switches to the set speed.

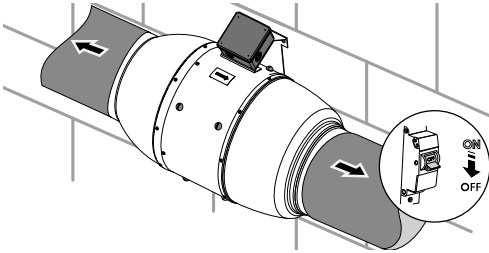
TT Silent-M ... U2(n): The fan switches to the set speed as the room air temperature exceeds the set point. As the air temperature drops 2 °C below the set point or if the initial temperature is below the set point, the fan is turned off.

The **TT Silent-M ... P** fan is equipped with a speed controller that enables switching the fan on/off and smooth speed (air flow) regulation from minimum to maximum value.

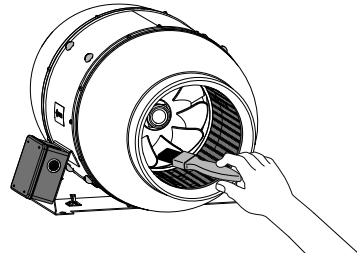
TECHNICAL MAINTENANCE

The fan maintenance periodicity is at least once per 6 months. Maintenance steps:

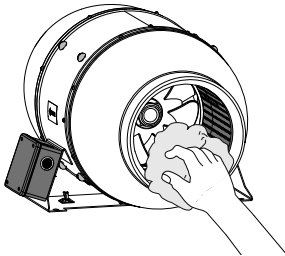
Disconnect the fan from power supply and make sure electricity has been turned off. Disconnect an air duct on both sides of the fan.



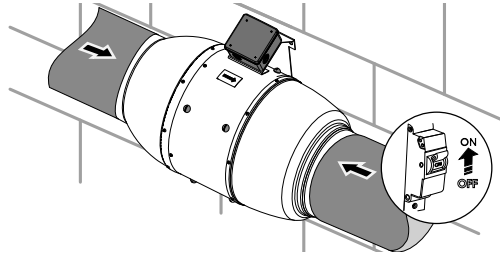
Clean the fan with a soft dry cloth or a brush.



Wipe the fan surfaces dry.



Connect an air duct on both sides of the fan. Supply power to the fan.



CAUTION! Do not allow water or liquid come into contact with electric components!

TROUBLESHOOTING

Problem	Possible reasons	Troubleshooting
When the unit is connected to power mains, the fan does not rotate and does not respond to any controls.	No power supply.	Make sure the power supply line is connected correctly, otherwise troubleshoot the connection error.
	Internal connection fault.	Contact the Seller.
Low air flow.	The ventilation system is clogged.	Clean the ventilation system.
Increased noise, vibration.	The impeller is clogged.	Clean the impeller.
	The fan is not secured well or is not mounted properly.	Troubleshoot the installation error.
	The ventilation system is clogged.	Clean the ventilation system.

STORAGE AND TRANSPORTATION REGULATIONS

- Store the unit in the manufacturer's original packaging box in a dry closed ventilated premise with temperature range from +5 °C to + 40 °C and relative humidity up to 70 %.
- Storage environment must not contain aggressive vapors and chemical mixtures provoking corrosion, insulation, and sealing deformation.
- Use suitable hoist machinery for handling and storage operations to prevent possible damage to the unit.
- Follow the handling requirements applicable for the particular type of cargo.
- The unit can be carried in the original packaging by any mode of transport provided proper protection against precipitation and mechanical damage. The unit must be transported only in the working position.
- Avoid sharp blows, scratches, or rough handling during loading and unloading.
- Prior to the initial power-up after transportation at low temperatures, allow the unit to warm up at operating temperature for at least 3-4 hours.

MANUFACTURER'S WARRANTY

The product is in compliance with EU norms and standards on low voltage guidelines and electromagnetic compatibility. We hereby declare that the product complies with the provisions of Electromagnetic Compatibility (EMC) Directive 2014/30/EU of the European Parliament and of the Council, Low Voltage Directive (LVD) 2014/35/EU of the European Parliament and of the Council and CE-marking Council Directive 93/68/EEC. This certificate is issued following test carried out on samples of the product referred to above.

The manufacturer hereby warrants normal operation of the unit for 24 months after the retail sale date provided the user's observance of the transportation, storage, installation, and operation regulations. Should any malfunctions occur in the course of the unit operation through the Manufacturer's fault during the guaranteed period of operation, the user is entitled to get all the faults eliminated by the manufacturer by means of warranty repair at the factory free of charge. The warranty repair includes work specific to elimination of faults in the unit operation to ensure its intended use by the user within the guaranteed period of operation. The faults are eliminated by means of replacement or repair of the unit components or a specific part of such unit component.

The warranty repair does not include:

- routine technical maintenance
- unit installation/dismantling
- unit setup

To benefit from warranty repair, the user must provide the unit, the user's manual with the purchase date stamp, and the payment paperwork certifying the purchase. The unit model must comply with the one stated in the user's manual. Contact the Seller for warranty service.

The manufacturer's warranty does not apply to the following cases:

- User's failure to submit the unit with the entire delivery package as stated in the user's manual including submission with missing component parts previously dismantled by the user.
- Mismatch of the unit model and the brand name with the information stated on the unit packaging and in the user's manual.
- User's failure to ensure timely technical maintenance of the unit.
- External damage to the unit casing (excluding external modifications as required for installation) and internal components caused by the user.

- Redesign or engineering changes to the unit.
- Replacement and use of any assemblies, parts and components not approved by the manufacturer.
- Unit misuse.
- Violation of the unit installation regulations by the user.
- Violation of the unit control regulations by the user.
- Unit connection to power mains with a voltage different from the one stated in the user's manual.
- Unit breakdown due to voltage surges in power mains.
- Discretionary repair of the unit by the user.
- Unit repair by any persons without the manufacturer's authorization.
- Expiration of the unit warranty period.
- Violation of the unit transportation regulations by the user.
- Violation of the unit storage regulations by the user.
- Wrongful actions against the unit committed by third parties.
- Unit breakdown due to circumstances of insuperable force (fire, flood, earthquake, war, hostilities of any kind, blockades).
- Missing seals if provided by the user's manual.
- Failure to submit the user's manual with the unit purchase date stamp.
- Missing payment paperwork certifying the unit purchase.

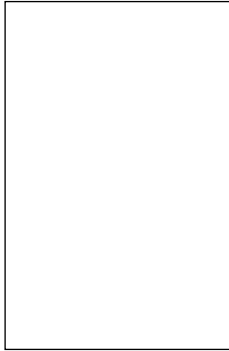


FOLLOWING THE REGULATIONS STIPULATED HEREIN WILL ENSURE A LONG AND TROUBLE-FREE OPERATION OF THE UNIT

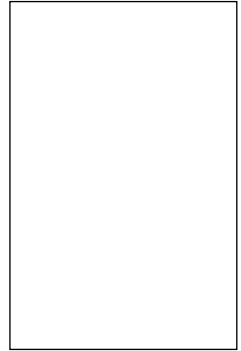


USER'S WARRANTY CLAIMS SHALL BE SUBJECT TO REVIEW ONLY UPON PRESENTATION OF THE UNIT, THE PAYMENT DOCUMENT AND THE USER'S MANUAL WITH THE PURCHASE DATE STAMP

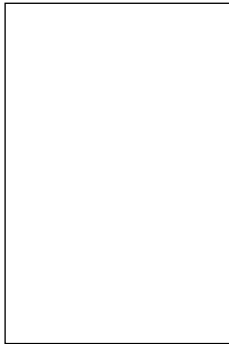
Quality Inspector's Stamp



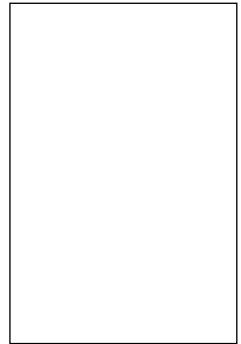
Sold by
(name and stamp of the seller)



Manufacture Date



Purchase Date



Certificate of acceptance

TT Silent-M_____

The fan is recognized as serviceable

F97EN-06