

Centrifugal fan coil unit

Rel. 02

EN Installation, operation,
maintenance manual

**ESSENTIAL WARNINGS
TO THE USE OF THE MACHINE**

-  01
-  02
-  03
-  04
-  05
-  06
-  07
-  08
-  09
-  10
-  11
-  12

- 01. It is compulsory to carefully read this Instruction manual before any operation on the machine: serious damages to persons and things could occur if operated by non-qualified personnel.
- 02. All single components of machine are subject to quality and dimensioning checks during production process.
- 03. All maintenance, regulation and replacement operations described in this Instruction manual are to be only performed after stopping and separating the machine from power supply and hydraulic circuit.
- 04. While installation/maintenance operations, the operator must wear protection gloves.
- 05. Operator must wear special antiskid and resistant shoes.
- 06. Protections have been set up by the Manufacturer in order to physically protect operator while performing its tasks. Do not remove protections for any reason, during operation. If removed must absolutely be restored.
- 07. Persons not involved in installation/maintenance operations, if any, should neither transit nor stop close to the operation area.
- 08. Electric energy and grounding systems are to be connected by expert and qualified personnel, in compliance with standards in force.
- 09. It is recommended to protect main power supply line by safety switches (overload switches).
- 10. Any magnetic or electromagnetic field in the nearby could affect proper operation of control panel. Environmental temperature and humidity are the best conditions to properly operate machines.
- 11. Ensure that electric circuit is suitably protected and complies with motor characteristics: the machine is equipped with an identification plate, specifying power, frequency and power supply voltage values. Also ensure that grounding has been performed and a differential switch is regularly installed upstream of power supply cable. The Manufacturer is not responsible for damages to persons or things provoked by wrong or unsuitable grounding.
- 12. Before performing regulation, maintenance and/or replacement operations, the operator must wait for a time-period after machine stop.



*** DO NOT USE THE UNIT FOR ANY REASON WITHOUT FULL CERTAINTY THAT THE FILTER HAS BEEN REINSTALLED PROPERLY AFTER CLEANING OR REPLACING IT**

*** USE ORIGINAL FILTERS ONLY**

*** DURING OPERATION, ALWAYS KEEP THE FILTER MOUNTED ON THE FAN COIL, OTHERWISE THE DUST IN THE AIR WILL DIRT THE SURFACES OF THE COIL, THE MOTOR AND THE ELECTRICAL PARTS CAUSING PROBLEMS TO THE PRODUCT.**

INDEX

FOR INSTALLER	INTRODUCTION	4
	RECOMMENDATIONS	4
	TRANSPORTATION, RECEIVING, HANDLING	4
	SAFETY RULES	4
	GENERAL DIMENSIONS	5
	DIMENSIONAL CHARACTERISTICS	5
	MAIN COMPONENTS	6
	RECOMMENDATIONS FOR INSTALLATION	6
	FAN COIL INSTALLATION	6
	WATER CONNECTIONS	7
	Connection to the water mains	7
	Condensate water drainage	8
	ELECTRICAL CONNENCTION	8
	CONNECTIONS TO THE TERMINAL BOARD	8
	Without control panel	8
	With control panel	8
	CHANGING THE MOTOR SPEED OF ROTATION	9
	TESTING THE FANCOIL	9
	TURNING THE COIL	9
	WORK LIMITS	10
WIRING DIAGRAM	11	
FOR USER	USING THE APPLIANCE	13
	Using the control panel	13
	CLEANING AND MAINTENANCE	14
	Ordinary maintenance	14
	Cleaning the air filter	14
	Cleaning the housing and the control panel	14
	WHAT TO DO IF...	14
DISMALTING THE APPLIANCE	14	

INTRODUCTION

This installation, operation and maintenance booklet should always accompany the fancoil ready consultation by the installer or user if necessary. The appliance should be installed in compliance with regulations in force in each country and according to the manufacturer's or qualified installer' instruction. The manufacturer cannot be held liable for any damage to property or injury to persons and animals caused by incorrect installation of the appliance. Only qualified persons should install the appliance and connect it to the mains electricity supply. Before carrying out any work on the appliance, ensure that it is disconnected from the electricity supply. Read this instruction booklet before installing the appliance.

RECOMMENDATIONS

The appliance is easy to use, but it is important to read this guide completely before using for the first time.

This will help you:

- use the appliance in all safety;
- obtain best performance;
- avoid errors;
- respect the environment.
- Do not allow children or unassisted handicapped persons to use the appliance.
- Do not touch the appliance with wet parts of the body or if barefoot.
- Do not tug, pull or twist electrical cables attached to the appliance, even when disconnected from the electricity supply.
- Do not open the flaps giving access to the internal parts of the appliance without having first put the system on-off switch to "off".
- Do not introduce sharp pointed objects through the air intake and outlet grilles.
- Do not leave packing material (cardboard, staples, plastic bags, etc.) within reach of children since they could be a source of danger.
- Dispose of correctly.
- Do not sit or climb on the appliance or rest any type of object on it.
- Do not spray or throw water directly on the appliance.
- Do not use the appliance in places with suspended dust/powder or in potentially explosive atmospheres, in very damp environments or in the presence of oil in suspension or in particularly aggressive atmospheres.
- Do not cover the appliance with objects or drapes that even partially obstruct the air flow.
- The appliance works by electricity at mains voltage (230 Vac, 50 Hz). Always bear in mind that mains voltage is potentially dangerous and any appliance connected to it should be used with caution. Before carrying out any work on the appliance, disconnect it from the electricity supply (by pulling out the plug from the mains socket or isolating the supply line by putting the on-off switch to off).
- If the appliance is not to be used for long periods, make sure that the controls are in the position 0 (off). If the appliance is not going to be used in winter when temperatures are near to freezing, drain the system and ensure that the appliance heat exchanger has no water in it in order to prevent the formation of ice and consequent breakage.
- To make the appliance inoperable, disconnect it totally from the electricity supply.
- It is unsafe to alter or try to alter the characteristics of this product. Any tampering or alteration renders the warranty null and void.
- In the event of malfunction or failure, do not try to repair the appliance yourself; contact a qualified technician. Repairs carried out by unqualified persons could cause damage or accidents.
- Always keep the appliance clean. In particular clean the air filter periodically (at least once a month).

FAILURE TO COMPLY WITH THE ASSEMBLY INSTRUCTIONS GIVEN IN THIS GUIDE RELIEVES THE MANUFACTURER OF ALL AND ANY LIABILITY. INCORRECT INSTALLATION COULD CAUSE MALFUNCTIONING OR FAILURE OF THE APPLIANCE. COULD ALSO REPRESENT A HAZARD FOR THE USER.

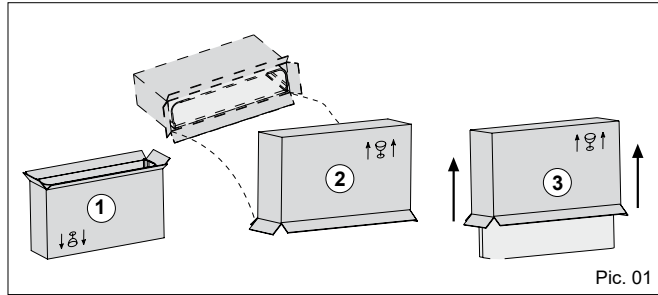
TRANSPORTATION, RECEIVING, HANDLING

The appliance is dispatched enclosed in special protective packaging, which should be kept intact until the appliance is positioned in the final place of installation.

The appliance should be handled with extreme care, always keeping it in its original packaging.

To take the appliance out of the packaging, proceed as Pic. 1:

1. Turn the fan coil box upside down and open the bottom.
2. Remove the polystyrene filling and keep it.
3. Keeping the bottom of the box open, turn the pack 180°, taking care that the contents are firmly held before resting it gently on the ground. Lift off the packaging from the appliance.



Pic. 01

SAFETY RULES



Secure packs during transportation.



Do not expose to the elements.



Do not tread on packs.

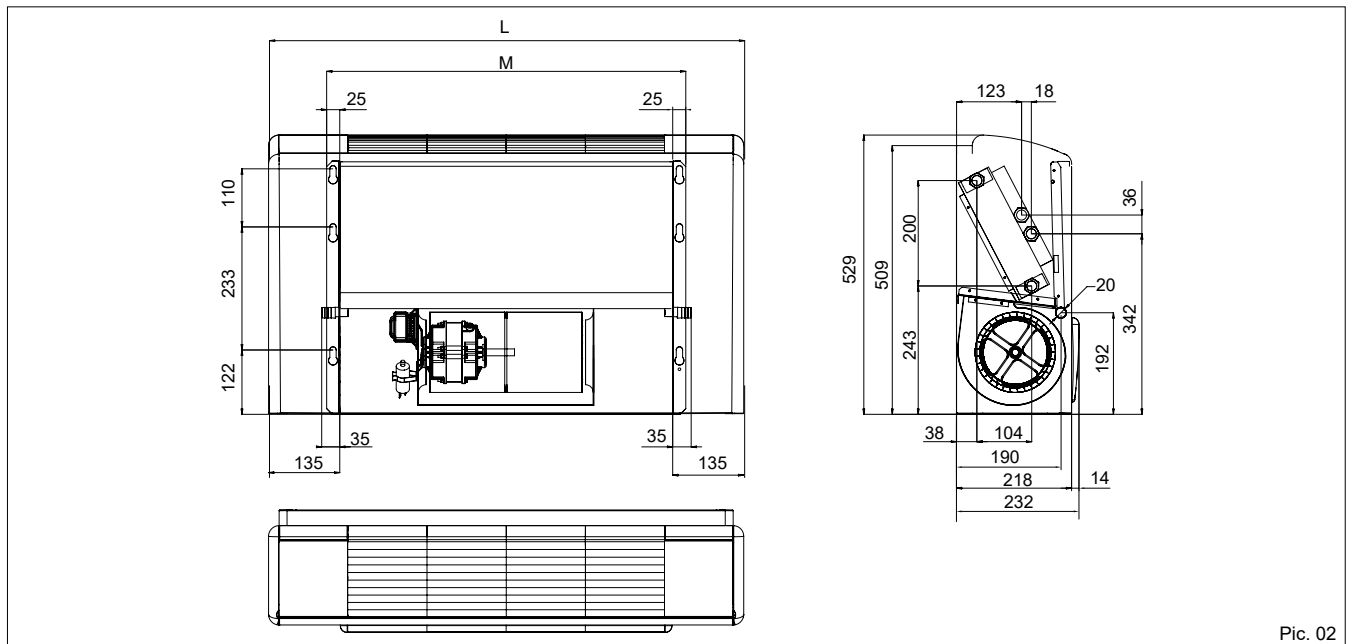


Protect hands with work gloves when dismantling the appliance.



Work in PAIRS if the appliance weighs more than 25 kg.

GENERAL DIMENSIONS



Pic. 02

* NOTE: the dimensions shown are referred to system with left hydraulic connections

DIMENSIONAL CHARACTERISTICS

		MOD.	10	20	30	40	50	60	70	80	90	100
Caratteristiche generali General features	Lunghezza unità con mobile Unit length with cabinet	L (mm)	600	750	900	1050	1200	1350	1500	1500	1650	1800
	Lunghezza unità senza mobile Unit length without cabinet	M (mm)	380	530	680	830	980	1130	1280	1280	1430	1580
	Motori/ventilatori motore asincrono Motors/Fans - asynchronous motor	n°	1/1	1/1	1/1	1/2	1/2	1/2	1/2	1/2	2/4	2/4
	Motori/ventilatori motore ECM Motors/Fans - ECM motor	n°	/	1/1	1/1	1/2	1/2	1/2	1/2	1/2	1/3	1/3

SCAMBIATORE IMPIANTO A 2 TUBI
2 PIPE SYSTEM EXCHANGER

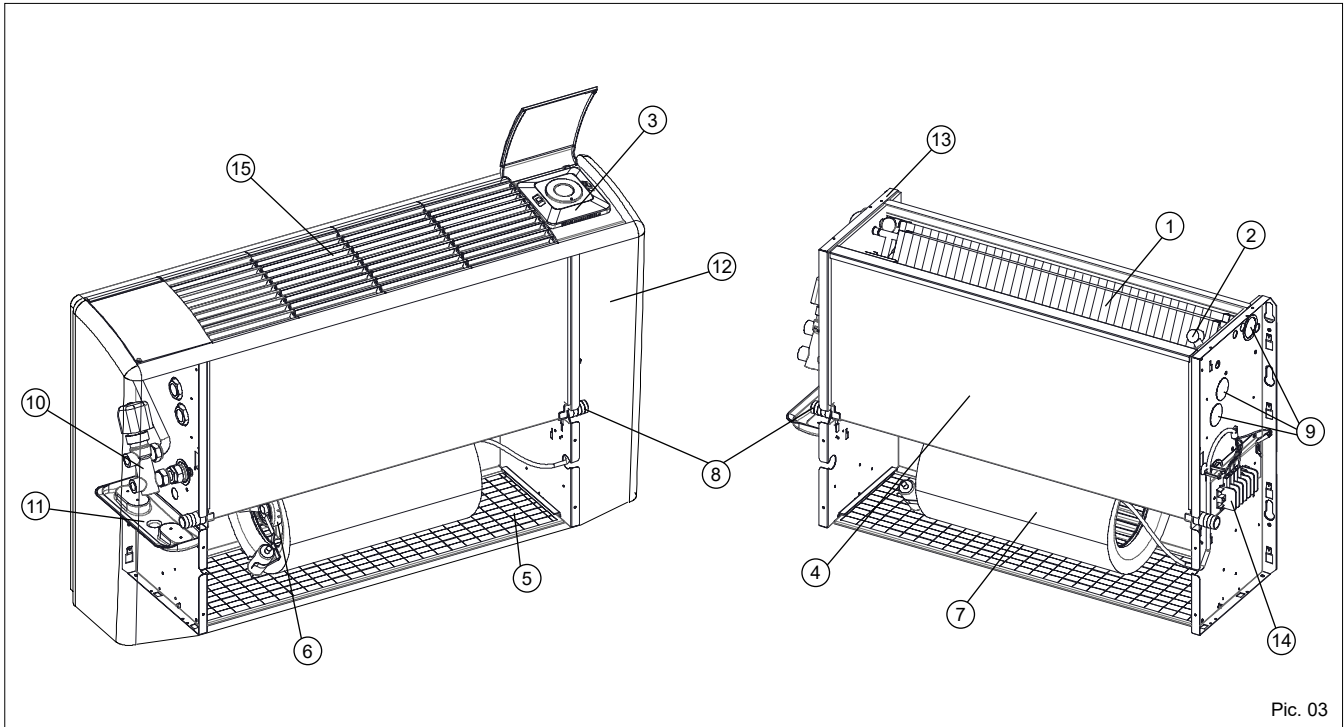
3R Batteria/Coil	Contenuto acqua Water content	litri/liters	0,5	0,8	1,2	1,5	1,8	2,1	2,4	2,4	2,7	3,1
	Attacchi idraulici (Ø Gas femmina) Hydraulic connection (Ø Gas female)	Ø	1/2"	1/2"	1/2"	1/2"	1/2"	3/4"	3/4"	3/4"	3/4"	3/4"
4R Batteria/Coil	Contenuto acqua Water content	litri/liters	0,7	1,1	1,6	2,0	2,4	2,8	3,2	3,2	3,7	4,1
	Attacchi idraulici (Ø Gas femmina) Hydraulic connection (Ø Gas female)	Ø	1/2"	1/2"	1/2"	3/4"	3/4"	3/4"	3/4"	3/4"	3/4"	3/4"

SCAMBIATORE AUSILIARIO IMPIANTO A 4 TUBI
4 PIPE SYSTEM AUXILIARY EXCHANGER

1R Batteria/Coil	Contenuto acqua Water content	litri/liters	0,1	0,2	0,3	0,4	0,5	0,6	0,6	0,6	0,7	0,8
	Configurazioni/Setup: 3R+1R 4R+1R	Attacchi idraulici (Ø Gas femmina) Hydraulic connection (Ø Gas female)	Ø	1/2"	1/2"	1/2"	1/2"	1/2"	1/2"	1/2"	1/2"	1/2"
2R Batteria/Coil	Contenuto acqua Water content	litri/liters	0,3	0,5	0,8	1,0	1,2	1,4	1,6	1,6	1,8	2,0
	Configurazioni/Setup: 3R+2R	Attacchi idraulici (Ø Gas femmina) Hydraulic connection (Ø Gas female)	Ø	1/2"	1/2"	1/2"	1/2"	1/2"	1/2"	1/2"	1/2"	1/2"

Alimentazione elettrica / Power supply: 230V / 1ph / 50Hz ± 10%

MAIN COMPONENTS



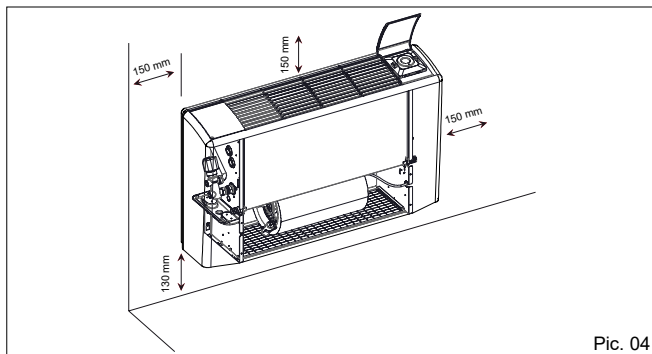
Pic. 03

1	Heat exchanger	6	Electric motor	11	Auxiliary drain pan
2	Water low temperature sensor	7	Centrifugal fan	12	Cabinet
3	Control panel	8	Condense discharge	13	Bearing structure
4	Drain pan	9	Knockouts	14	Terminal board
5	Air filter	10	Valves	15	Supply grills

RECOMMENDATIONS FOR INSTALLATION

Before installing the appliance, ensure that:

- 1) the place of installation has sufficient space for carrying out installation as well as routine and extraordinary maintenance work (see Pic. 4).
- 2) There are no obstructions for air intake and delivery.
- 3) The water connections are of the sizes, in the position and spaced apart as required by the appliance (see Dimension).
- 4) The system pressure does not exceed 8 bar for the water versions.
- 5) The electricity supply corresponds to the data on the appliance rating plate and that there is a safety switch readily accessible to the user to cut off the power supply whenever necessary.
- 6) The safety switch is in the OFF position so that there is no voltage on the appliance supply line.

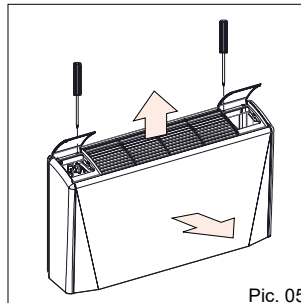


Pic. 04

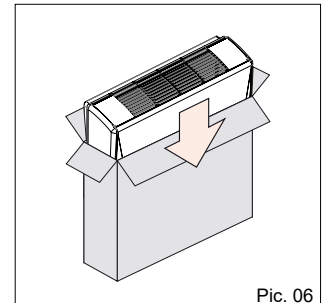
FAN COIL INSTALLATION

Before installing the appliance, remove the housing (if present). Raise the flaps covering the control panel and the water connections. Remove the two screws fixing the housing to the fan coil load-bearing structure. Gipping the rear of the housing, remove it as shown in the Pic. 5 (NOTE: be careful of the lugs on the front part of the load-bearing structure, as shown in Pic.10).

Put the cabinet in the packing box to prevent it from being soiled or damaged (Pic.6)

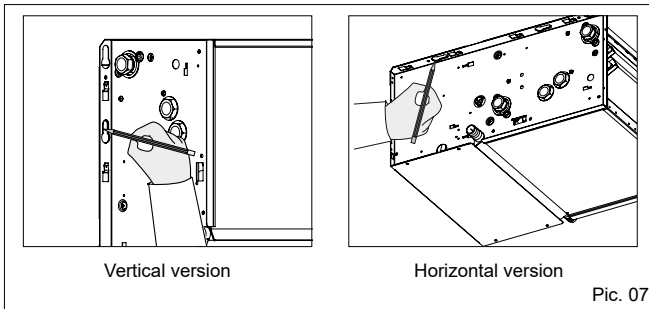


Pic. 05

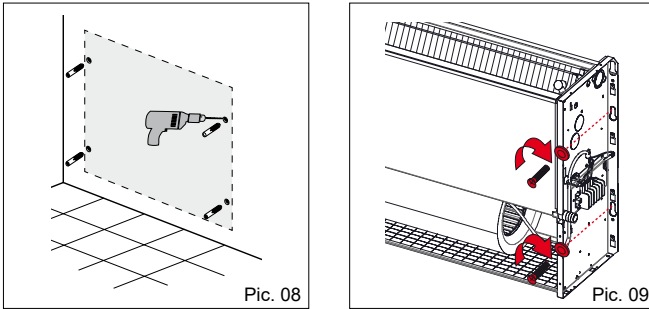


Pic. 06

Offer the appliance up to the required point of installation and mark, through the fixing holes, the points on the wall where the holes should be drilled for the 4 screw anchors, as shown in Pic. 7.



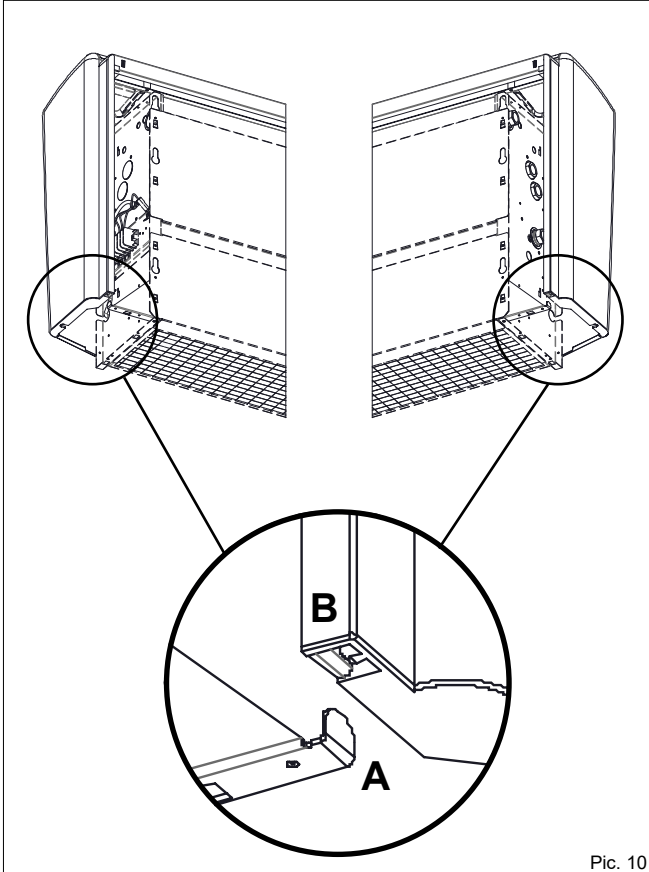
Remove the appliance from the point of installation, drill the holes where marked on the wall (see Pic. 8) and insert the screw anchors. Place the appliance against the wall and fix it by tightening the screws into the anchors see (Pic. 9).



Carry out the water and electrical connections as described in the relevant paragraphs.

To replace the housing.

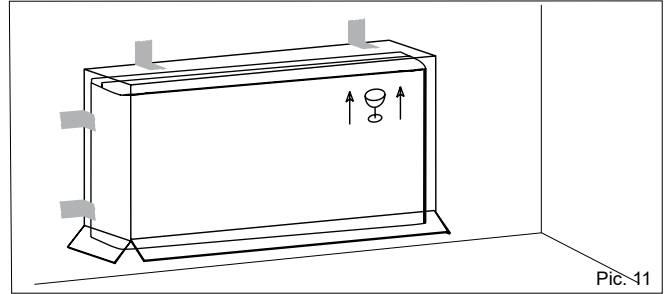
Take the cabinet from the packing box. Standing in front of the fancoil, lift cabinet, holding it by the sides, and tilt it (Pic. 10). Pivot the cabinet on its base until it is aligned with the wall. Raise the flaps covering the control panel and water connections and tighten the two fixing screws (Pic.5).



The cabinet is coated with a protective film: remove it before fixing the casing to the unit.

ATTENTION! Protect the unit with a carton in case the structure of the main building has yet to be finished (Pic. 11).

Before starting the units remember to remove the protection carton.



WATER CONNECTIONS

CONNECTION TO THE WATER MAINS

CAUTION! Always use a wrench and nose key for connection of the coil to the pipes (Pic. 12). If the solenoid valve is installed, suitably insulate the valve body with insulating material (Pic. 13).

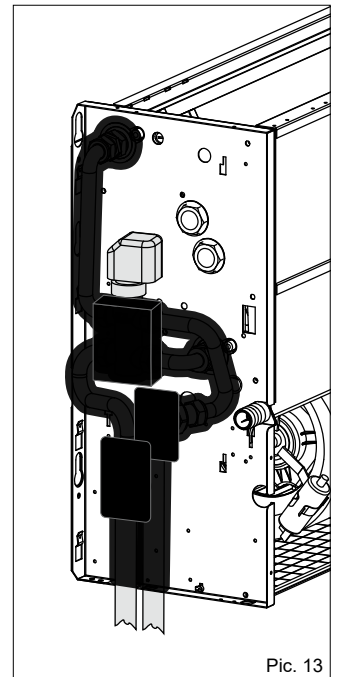
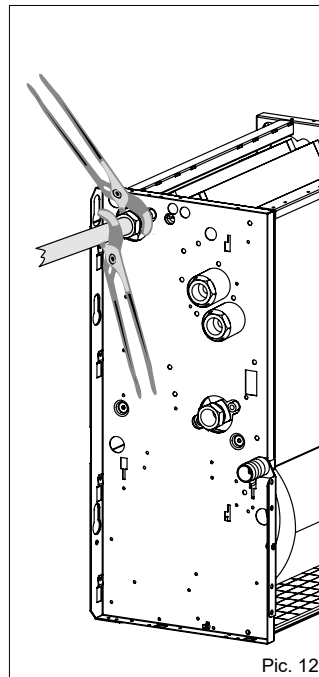
Connect the water inlet and outlet pipes, observing the indications given on the side of the appliance. Correctly insulate the water supply pipes to prevent dripping during the cooling mode of operation. An shutoff valve should be inserted on the water supply pipe and balancing valve on the outlet pipe. The valve body and balancing valve should also be properly insulated to prevent dripping. It is the installer's responsibility to insulate properly and the manufacturer cannot be held liable for any insulation work.

NOTE: for the correct operation it is recommended to install an electronic control valve.

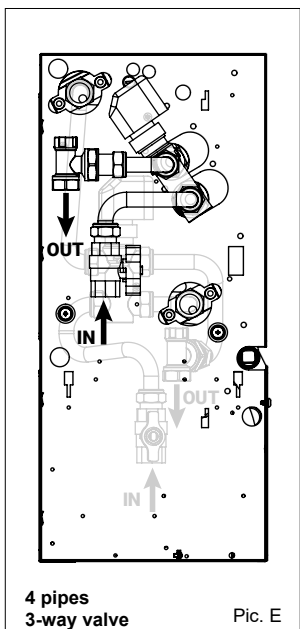
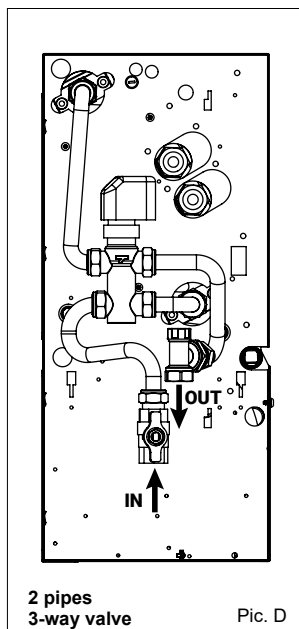
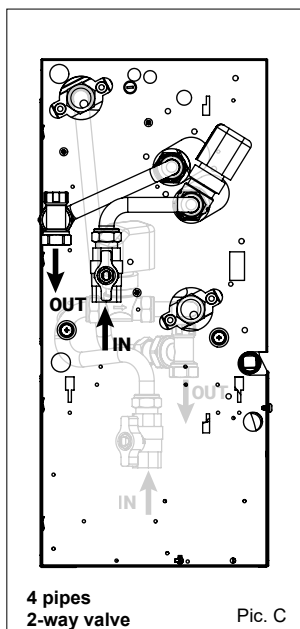
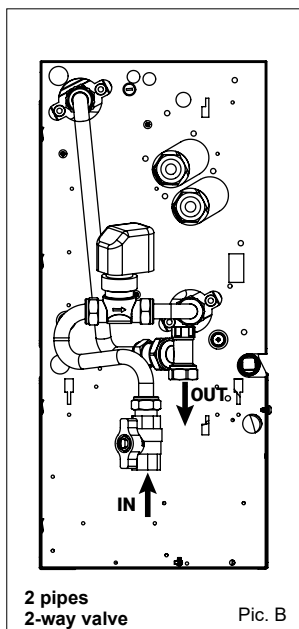
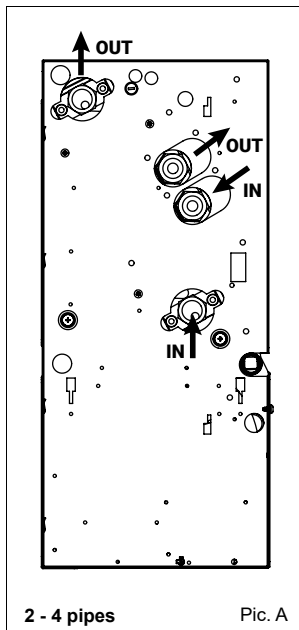
In heating mode, the electronic control valve regulates the output flow; at the set temperature, the circulation of water is bypassed (or stopped), avoiding wasting thermal energy.

Alternatively the fancoil would continue to heat by natural convection.

In cooling mode it allows the operation of the unit to be optimized, avoiding temperature stratifications within the unit itself, and the formation of condensation.



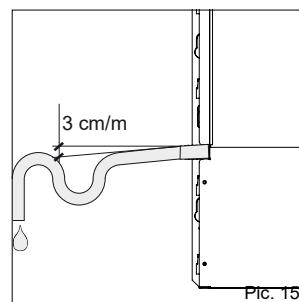
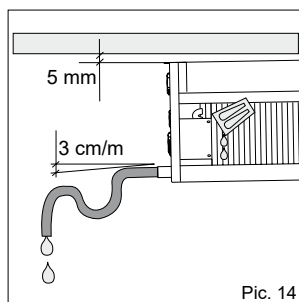
WATER CONNECTIONS



CONDENSATE WATER DRAINAGE

The condensate drain pipe should slope downwards by at least 3 cm/m and should not have ascending or throttled section in order to ensure a regular flow of water. It is advisable for a trap to be fitted. The condensate drain pipe should be connected to a rainwater drainage system. Do not use sewage system to avoid possible odours in the event of evaporation of the water in the trap. Upon completion of work, check that the condensate flows out properly by pouring water into the tray (see Pic. 14 and 15). The condensate water drainage system should be fabricated

in a workmanlike manner and should be periodically checked. The manufacturer cannot be held liable for any damage caused by dripping in the absence of a solenoid valve or of periodic maintenance of the drainage system.



ELECTRICAL CONNECTIONS

RECOMMENDATIONS!

Before carrying out electrical connections, ensure that the electricity supply to the supply line has been cut off, checking that the on-off switch is in the OFF position. Only qualified electricians should carry out the electrical connections. Check that the mains supply is single-phase 230 Vac/1/50 Hz ($\pm 10\%$).

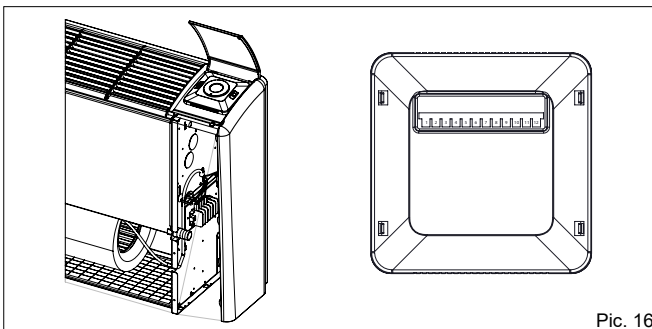
Operating the appliance with voltages outside the above limits could cause malfunction and renders the warranty null and void.

The fan coil power supply line should be fitted with at least a switch isolator in conformity with European standard EN60947-3. Make sure that the electrical system is suitable for providing not only the working current required by the appliance, but also the necessary current for powering household and other electrical appliances already in use.

Any electrical and mechanical alterations or tampering render the warranty null and void. The motor and accessories power cables in channels or ducts should remain inside the same until they are inside the appliances.

The cables should be sufficiently long so that they are not permanently taut or create throttling or pressure on metal parts (see Pic. 16). The power cables should be sufficiently long so that in the event of accidental tugging the active wires are subjected to stress before the earth wire. Connect the earth wire to the relative terminal marked with the symbol \perp .

Check the earth connection. Comply with the safety regulations in force in the country of installation.



CONNECTIONS TO THE TERMINAL BOARD

WITHOUT CONTROL PANEL

The electrical connections should be made to the terminal board on the side of the appliance.

Each terminal is identified by the label to be found on the terminal board.

WITH CONTROL PANEL

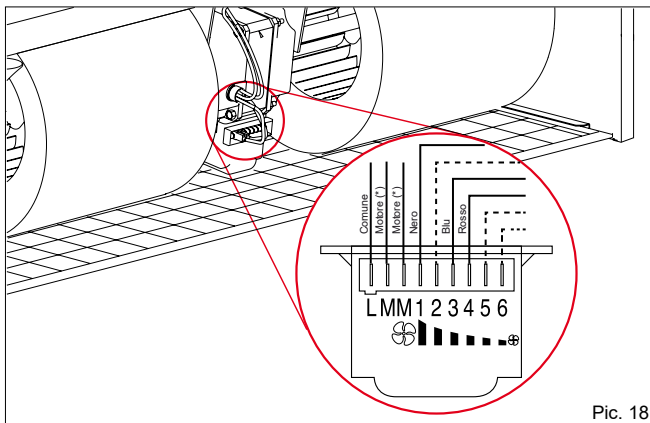
The electrical connections should be made directly to the control panel, as shown by the relative wiring diagram. If the control panel has an electronic temperature sensor (NTC) this sensor will be powered by mains voltage (230Vac/1/50 Hz) and is therefore provided with double insulation.

CAUTION: FAILURE TO COMPLY WITH THE INDICATED CONNECTIONS MAY CAUSE MOTOR BURNOUT!

CHANGING THE MOTOR SPEED OF ROTATION

The fan coil motor has 6 speed settings, 3 of which are connected in the factory (red, blue and black wires connected to the motor auto-transformer). To use other speeds than those wired up in the factory, the red (minimum), blue (medium) and black (maximum) wires may be connected onto 3 of the 6 numbered terminals (1...6), taking into account that the speeds follow a sequence as shown in Pic. 18.

*** CAUTION!**
UNDER NO CIRCUMSTANCES SHOULD THE CONNECTIONS TO THE TERMINALS L, M, M BE CHANGED!



Pic. 18

TESTING THE FANCOIL

Upon completion of installation, scrupulously check both the water and the electrical connections before switching on the appliance.

Before mounting the housing (if present), fill the system, bring it up to pressure and bleed. Make the water circulate and check for leaks.

Check correct operation of the fan coil at the 3 speeds, of the solenoid valves and of the minimum temperature thermostat (if installed).

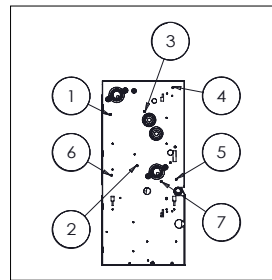
TURNING THE COIL

CAUTION!

The fan may reach the speed of 1,000 rpm. Do not insert objects or hands into the electric fan. The motor becomes hot during operation; wait for it to cool before touching it. During the heating mode of operation the exchanger and the connecting pipes may become very hot (80°C).

Wait for the exchanger to cool before touching it or protect hands with suitable gloves. The heat exchange water coils are suitable for working up to a maximum pressure of 8 bar.

To turn the coil, proceed as follows:



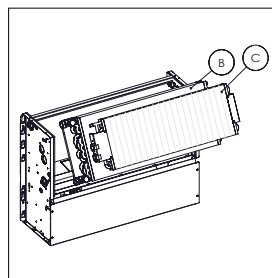
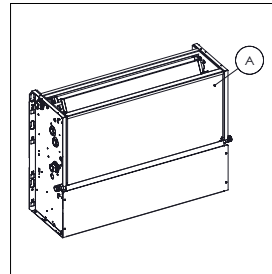
A) Remove the housing (if present).

B) Remove indicate screws in picture:

- 1,2: standard coil screws;
- 3: auxiliary coil screws;
- 4,5: main drain pan screws;
- 6,7: motor screws.

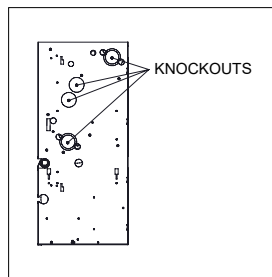
C) Disconnect the terminal block or the control panel (2), if present, from the side of the appliance;

D) Take out drain pan (A).

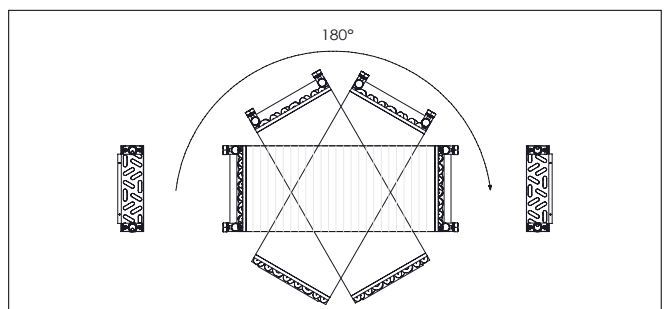


E) Take out auxiliary coil (C), if present, and standard coil (B).

Prestare attenzione a non tagliarsi con le alette e a non danneggiarle.



F) Remove the knockouts (6) on the opposite side of the fan coil (using a screwdriver), to allow the coil connections to pass through.



G) Position the coil, turning it of 180°, so that the fittings are in line with the holes left by the knockouts. Fix the coil using the previously removed screws.

H) Shift the control panel, if present, or the terminal block (fixing it to the side opposite the water fittings), the motor and sensor cables, if present, fixing them with their grips. Ensure that the cables pass through the hole in the side of the appliance, protecting them with the relative grommet. If it proves easier to carry out this operation by separating the wires from the terminal blocks, mark the positions of the wires to avoid making mistakes when reconnecting.

I) Reconnect the wires to the relative terminal blocks or control panel, taking care that they are correctly positioned.

L) Reassemble the components previously removed and follow the steps A, B, C, D, E, on the contrary.

ATTENTION:

Copper fittings for valve are different between right and left installation.

If hydraulic connections have to be modified on site, it's necessary to order the correct installation kit.

WORK LIMITS

SUMMER (COOLING)

Minimum inlet water temperature	+4°C
Maximum operating pressure	8 bar
Maximum room air temperature	+35°C
Maximum room air humidity	80%

WINTER (HEATING)

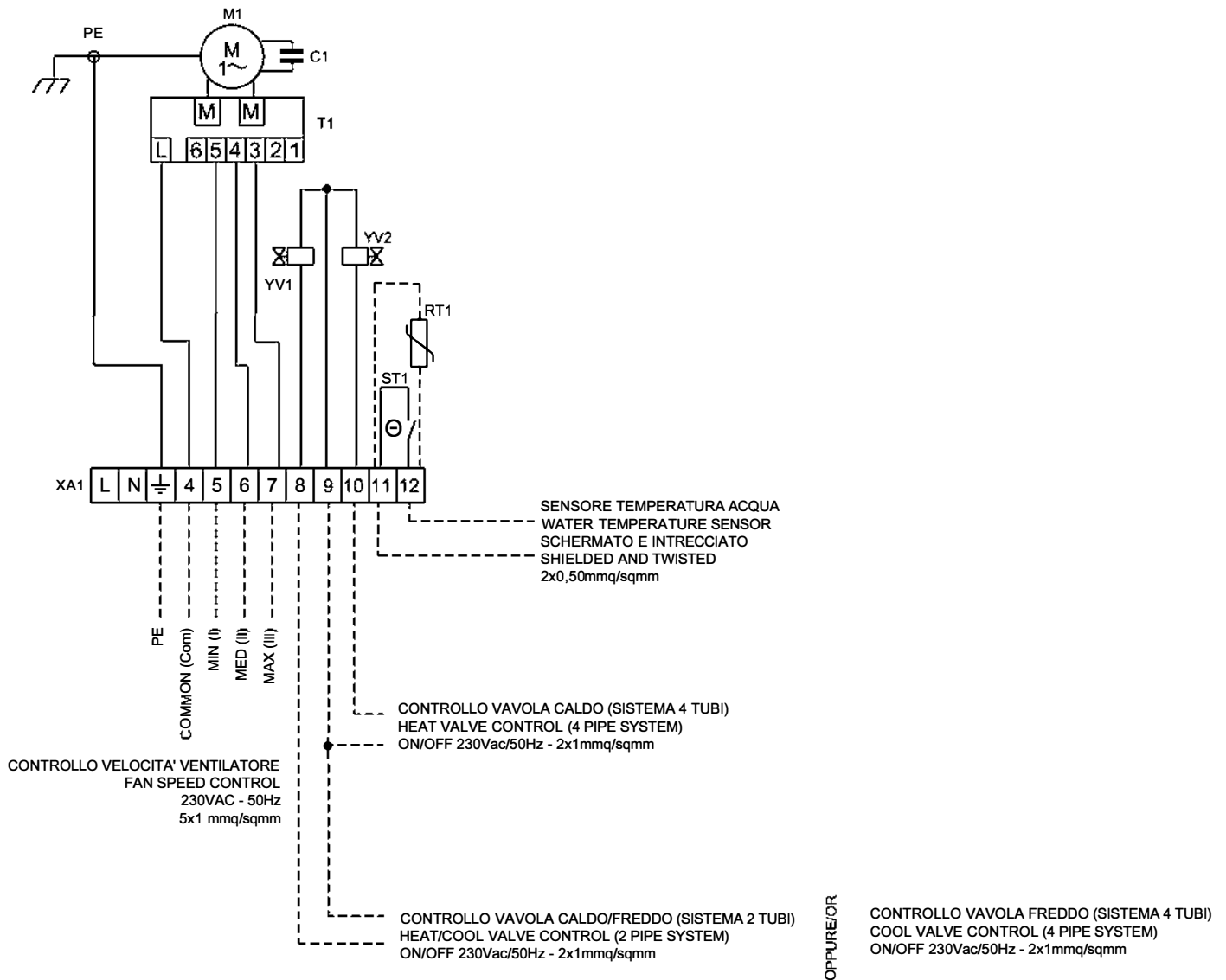
Maximum inlet water temperature	+80°C
Maximum operating pressure	8 bar
Minimum room air temperature	+4°C
Maximum room air humidity	80%
Maximum room air temperature	+35°C

The units have the following operating limits:

- it can't be installed in areas with anomalous heat and humidity conditions;
- it can't be installed outdoors;
- it can't be installed in explosive environments;
- it can't be installed in a corrosive atmosphere.

WIRING DIAGRAM - 3V

(BKV02C)

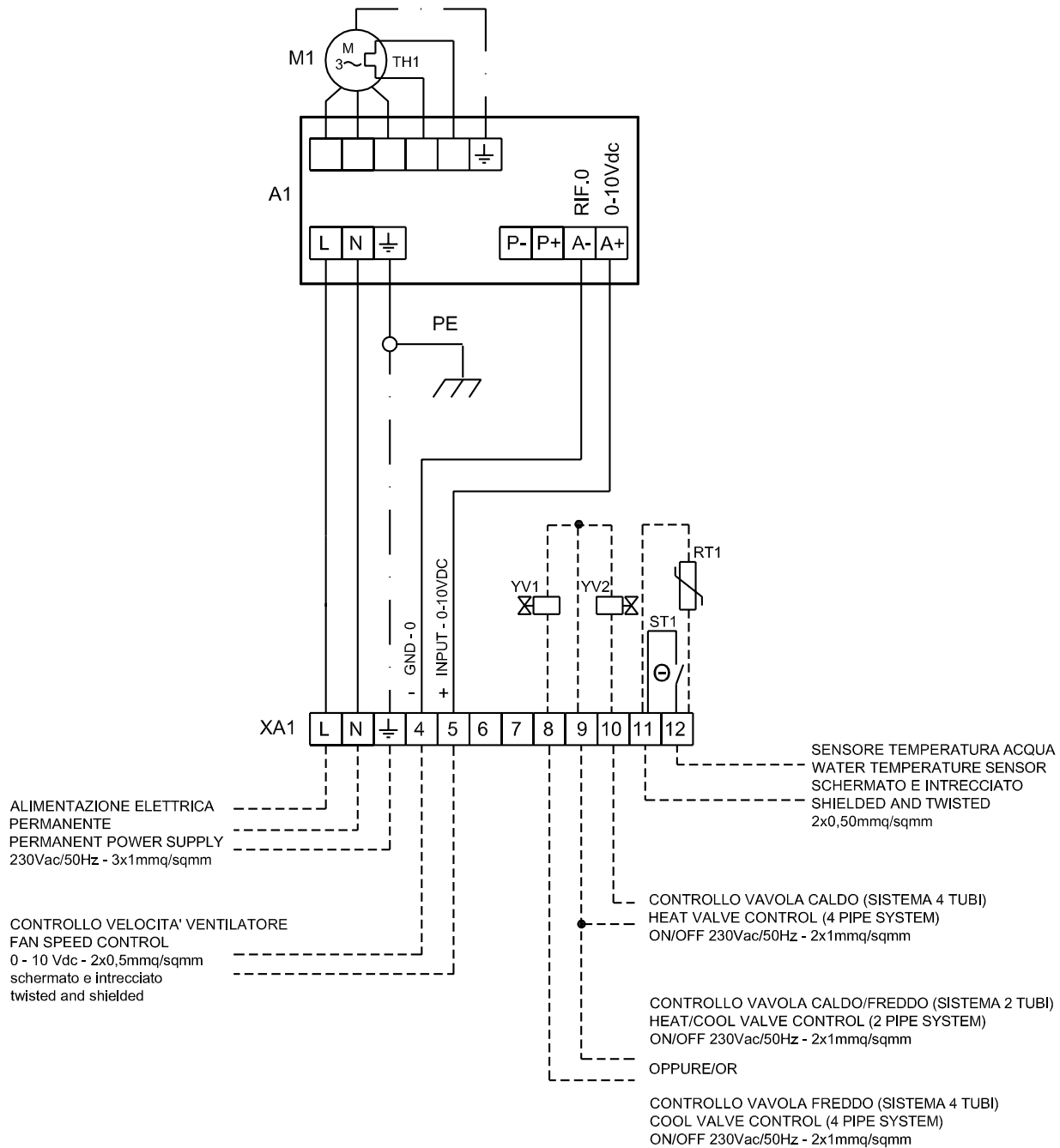


LEGENDA

- PE CONDUITTORE DI PROTEZIONE (giallo/verde) - GROUND PROTECTION (yellow/green)
- C1 CONDENSATORE - CAPACITOR
- M1 MOTORE VENTILATORE - FAN MOTOR
- RT1 SENSORE TEMPERATURA ACQUA - WATER TEMPERATURE SENSOR - NTC/PTC
- ST1 TERMOSTATO TEMPERATURA ACQUA - WATER TEMPERATURE THERMOSTAT- CONTACT
- T1 AUTOTRASFORMATORE (su alcuni modelli sostituito da motore multivelece)
AUTOTRANSFORMER (on some models replaced by a multi-speed motor)
- XA1 MORSETTIERA - TERMINAL BOARD
- YV1-2 ATTUATORE VALVOLA - WATER VALVE ACTUATOR

WIRING DIAGRAM - ECM

(ECKA04B)



LEGENDA

- PE CONDOTTORE DI PROTEZIONE (giallo/verde) - GROUND PROTECTION (yellow/green)
- L FASE - PHASE
- N NEUTRO - NEUTRAL
- A1 CONTROLLO ELETTRONICO - ELECTRONIC CONTROL
- M1 MOTORE VENTILATORE - FAN MOTOR
- RT1 SENSORE TEMPERATURA ACQUA - WATER TEMPERATURE SENSOR - NTC/PTC
- ST1 TERMOSTATO TEMPERATURA ACQUA - WATER TEMPERATURE THERMOSTAT- CONTACT
- TH1 PROTETTORE TERMICO - THERMAL PROTECTION
- XA1 MORSETTIERA - TERMINAL BOARD
- YV1-2 ATTUATORE VALVOLA - WATER VALVE ACTUATOR

USING THE APPLIANCE

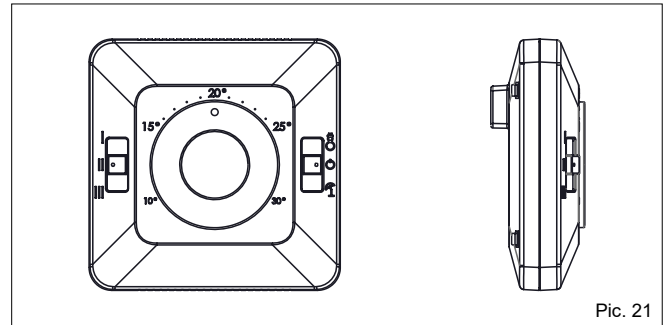
CAUTION!

This appliance should only be used by adults. Make sure that children do not touch the controls or play with the appliance. This appliance has been designed for use as a heating and cooling appliance in rooms that are clean and frequented by persons (with normal pollution). Avoid using for any other purpose. This appliance should not be used in places with suspended dust/powder or in potentially explosive atmospheres, in very damp environments or in the presence of oil in suspension or in particularly aggressive atmospheres.



USING THE CONTROL PANEL

If the appliance has a built-in control panel, raise the flap and proceed as follows.



Pic. 21

Heating mode

Put the season selector switch from the off position (o) to the winter position (♠).

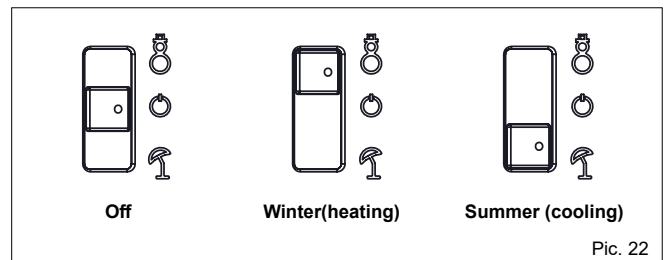
The fan starts.

In models with minimum temperature thermostat (optional), the fan starts when the internal heat exchanger is sufficiently hot. If the water is not hot enough, the fan does not start.

Cooling mode

Put the season selector switch from the off position (o) to the summer position (♣).

The fan starts immediately.

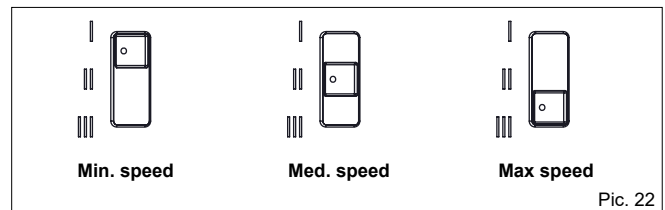


Pic. 22

Selecting the fan speed

Put the selector switch to the required speed.

The higher the speed the quicker the room will be heated/cooled, although appliance operation will be noisier (Pic. 22).

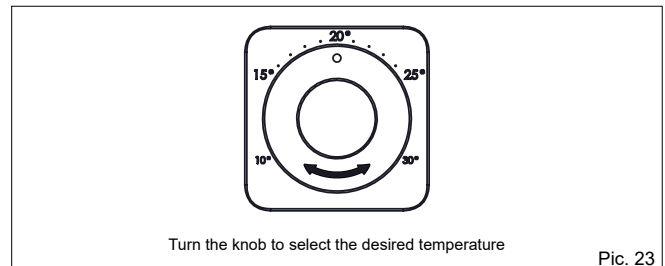


Pic. 22

Automatic temperature adjustment

This control panel has a built-in temperature sensor, which measures the room air temperature. This information is used for the automatic control of the fan or introduction of water into the internal exchanger through the solenoid valve (optional).

The appliance this keeps the room at the temperature set by the user.



Turn the knob to select the desired temperature

Pic. 23

The room temperature may be set approx. between 10°C and 30°C. If the appliance does not have a built-in control panel, but is controlled by a wall-mounted thermostat, refer to the thermostat instructions for use.

CLEANING AND MAINTENANCE

The appliance requires no periodic maintenance. Simple checks by the user to keep it in perfect working order are, however, necessary.

CAUTION! Before carrying out any cleaning or maintenance work, disconnect the appliance from the mains electricity supply!

ORDINARY MAINTENANCE

For standard use of the unit in normal condition we recommend:

- to clean the air filter every 6 month and change it every 2 years;
- to clean the housing;
- to clean the coil;
- to clean the drain fitting (check the normal condensate flow).

CLEANING THE AIR FILTER

The appliance is fitted with an air filter on the fan inlet. During normal operation the filter withholds impurities in the air.

The filter should be cleaned periodically to keep its filtering properties and the airflow to the fan unchanged. It is advisable to clean the filter at least once a month, proceeding as follows.

1. Take out the filter.
 2. Place the filter on a flat, dry surface and remove the accumulated dust with a vacuum cleaner.
 3. Wash the filter with water and detergent (no solvents).
 4. Leave the filter to dry in a ventilated place in the sun.
 5. Replace the filter when it is perfectly dry.
- Clean the filter at the beginning and end of every season.

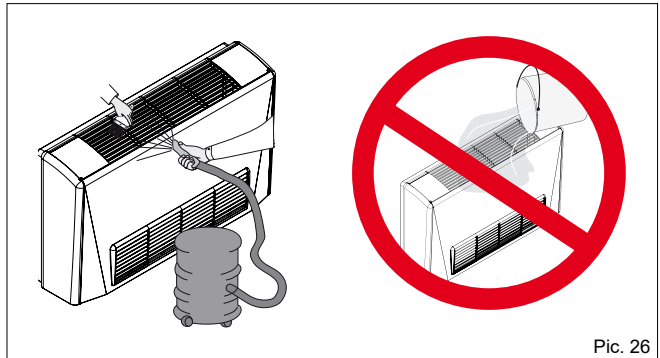
CLEANING THE HOUSING AND THE CONTROL PANEL

To clean the housing, use a dry soft cloth to avoid scratching the enamel.

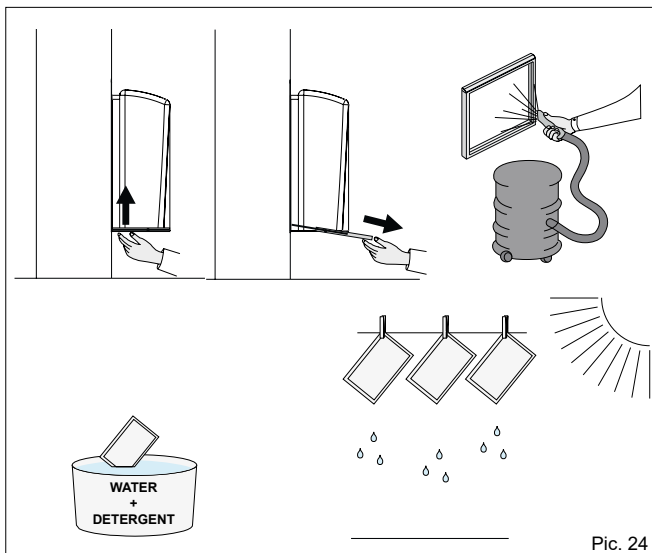
To clean the control panel and the air outlet louvres, use a vacuum cleaner fitted with a soft dusting tool or use a separate brush.

Delicately clean the louvres and the controls by removing dust from the cracks and corners.

Under no circumstances use water.

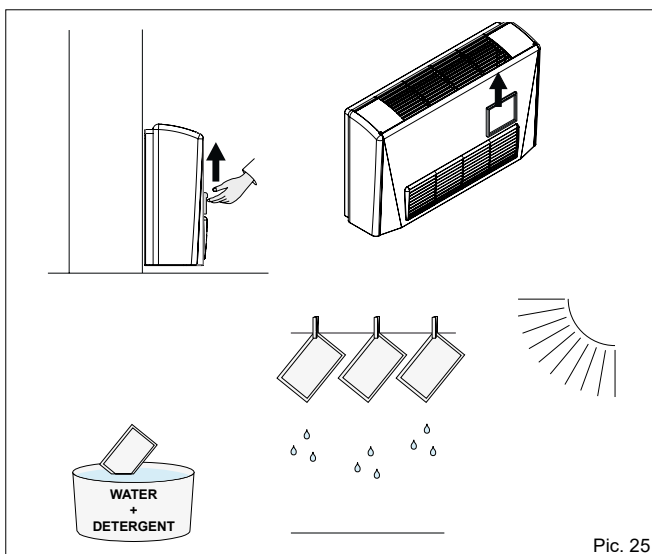


Pic. 26



Pic. 24

Description Pic. 24 - Cleaning the filter for the lower intake version



Pic. 25

Description Pic. 25: Cleaning the filter for the front intake version

NOTE

The procedure for ceiling-mounted horizontal version is the same.

WHAT TO DO IF...

The fan does not work

Possible cause: power failure

Possible remedy: check the on/off switch

Possible cause: switch in position "0"

Possible remedy: change position on the control panel

Possible cause: water in the system not hot enough

Possible remedy: check that the outlet temperature is above 40°C

Little outflowing air

Possible cause: clogged filter

Possible remedy: clean the filter

The appliance does not heat

Possible cause: no hot water in the system

Possible remedy: check that the boiler and circulating pump are working

Possible cause: Incorrectly positioned hot/cold switch

Possible remedy: check that the switch is on δ for heating and \uparrow for cooling.

The appliance does not cool

Possible cause: no cold water in the system

Possible remedy: check that the chiller and the circulating pump are working

The appliance heat/cool very little

Possible cause: incorrectly regulated thermostat

Possible remedy: turn the thermostat knob (if installed) left/right

Possible cause: air in the pipes

Possible remedy: bleed by loosening the valve at the heat exchanger inlet

Water on the floor during cooling

Possible cause: blocked condensate drain

Possible remedy: switch off the appliance and contact the installer to check condensate drainage

DISPOSAL THE APPLIANCE

This product falls within the scope of the Waste Electrical and Electronic Equipment Directive 2012/19/EU (WEEE Directive). The appliance must not be disposed of with household waste as it consists of different materials that can be recycled at appropriate facilities.

Please inquire through the municipal authority for the location of the ecological platforms, suitable for disposing of and proper recycling of the product.

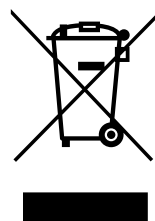
It should also be remembered that when purchasing equivalent equipment, the distributor is required to collect the product to be disposed of free of charge.

The product is not potentially dangerous for the human health and the environment, as it does not contain harmful substances, according to the Directive 2011/65/EU (RoHS).

It has a negative impact on the ecosystem if abandoned in the environment.

Read the instructions carefully before using the equipment for the first time.

It is recommended not to use the product for any other purpose than that for which it was intended, as there is the danger of electric shock if used improperly.



The crossed-out wheeled bin symbol on the label of the device indicates that the product complies with the regulations regarding the WEEE Directive.

Leaving the equipment in the environment and its unauthorised disposal are punished by law.

With the perspective of improvement, and against the continuous action of research and development, the Manufacturer might modify, even without any prior notice, the given technical data.

CE