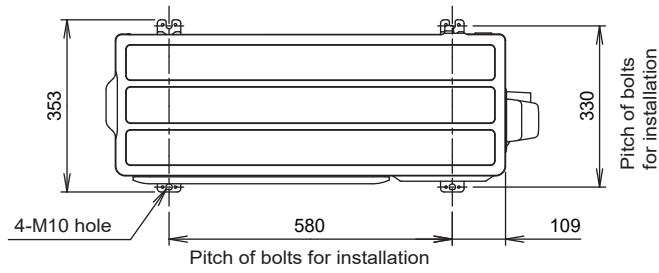
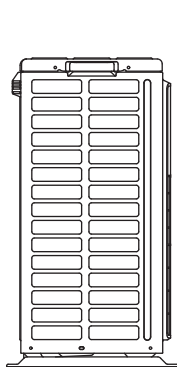


### 3-1. Model: WOYA060KLT

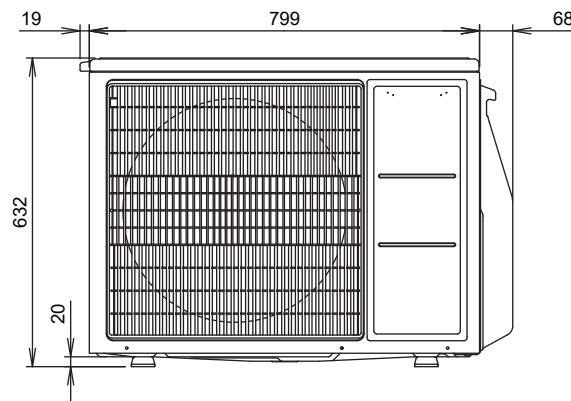
Unit: mm



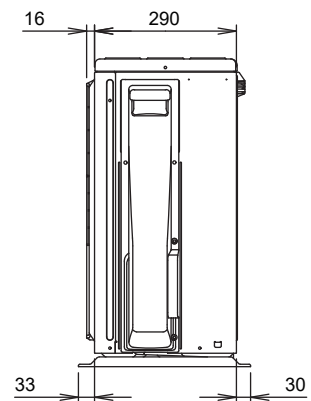
Top view



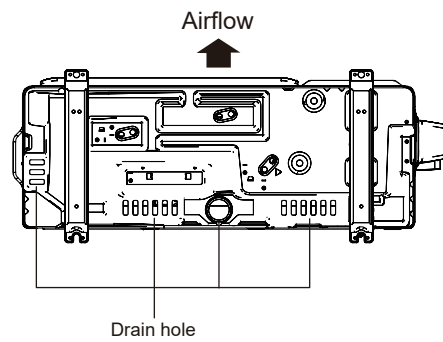
Side view



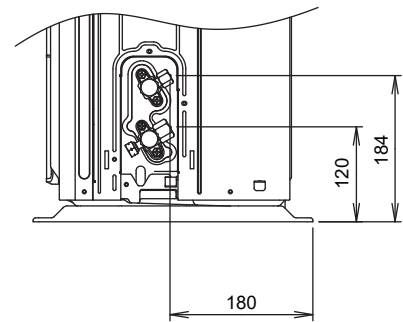
Front view



Side view



Bottom view

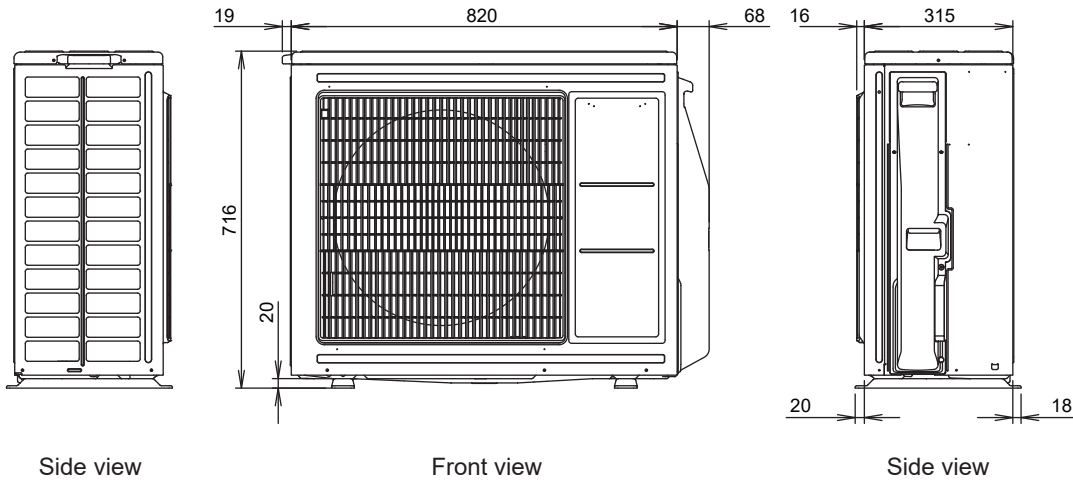
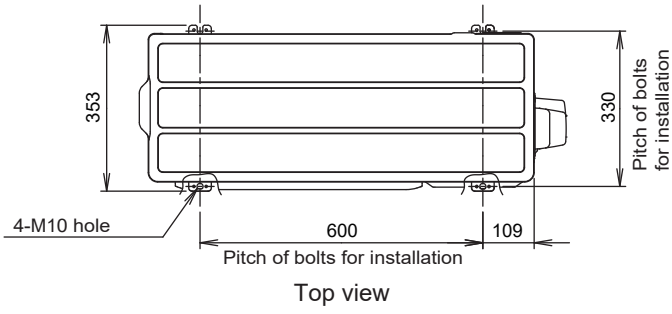


Side view (Valve part)

# 3-2. Model: WOYA080KLT

Unit: mm

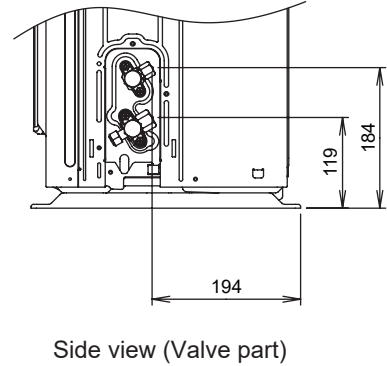
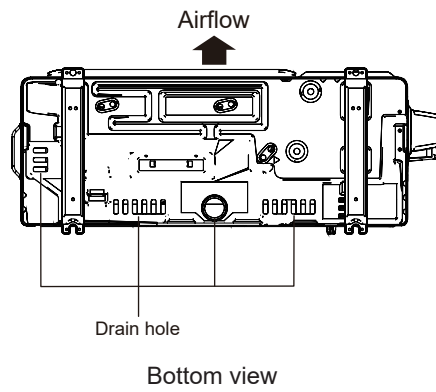
OUTDOOR  
UNIT



Side view

Front view

Side view



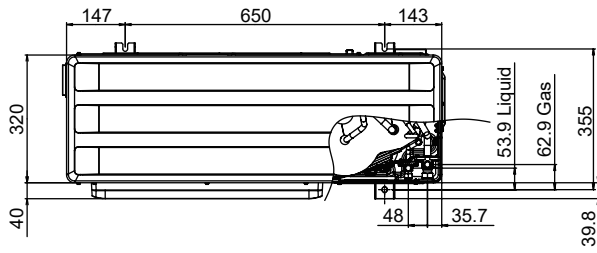
Bottom view

Side view (Valve part)

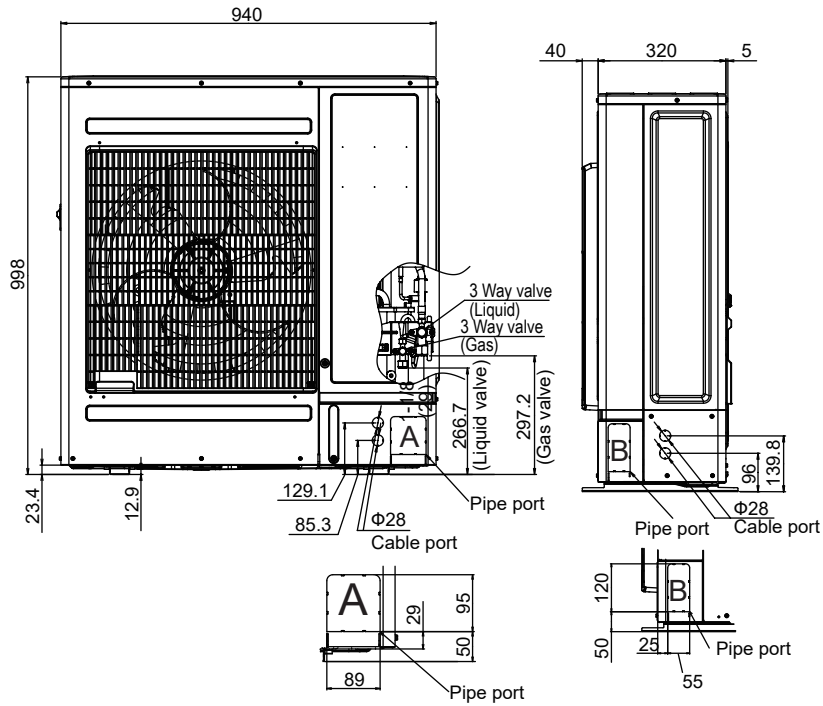
# 3-3. Model: WOYA100KLT

Unit: mm

OUTDOOR UNIT

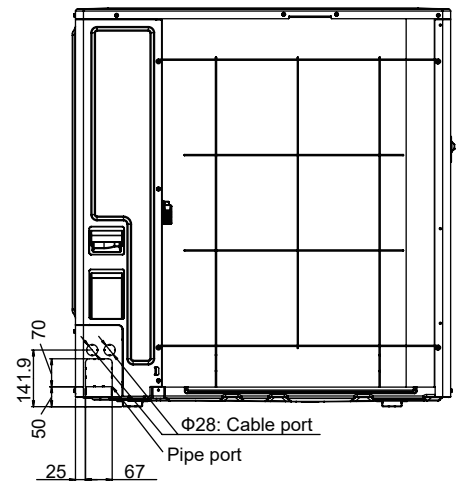


Top view

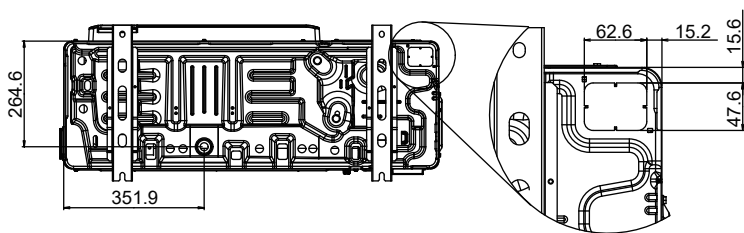


Front view

Side view



Rear view



Bottom view

Pipe & Cable port