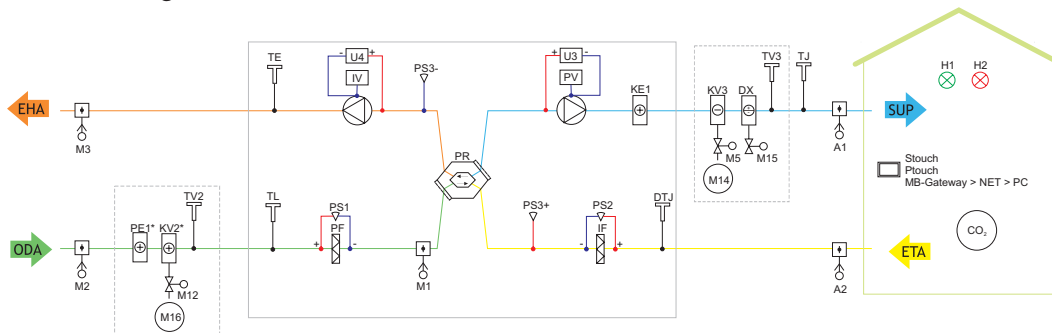
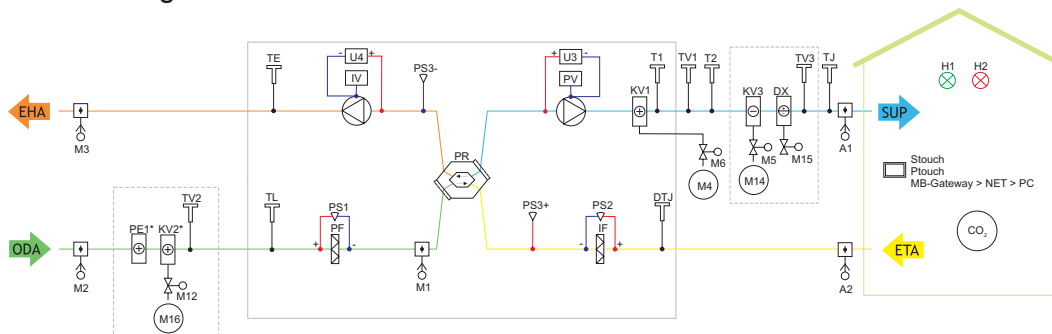


CONNECTION DIAGRAM

Version with an integrated electrical heater:



Version with an integrated water heater:



List of Components

PR	Plate heat exchanger	M15	DX cooler valve actuator
PV	Supply air fan	M16	Water preheater circulation pump
IF	Filter for extract air	A1	Fire alarm damper actuator
PF	Filter for supply air	A2	Fire alarm damper actuator
IV	Exhaust air fan	TJ	Supply air temperature sensor
KE1	Electric heater	TL	Outdoor air temperature sensor
PE1*	Electric pre-heater	TE	Exhaust air temperature sensor
KV1	Water heater (reverse mode available)	DTJ	Extract air temperature and RH sensor
KV2*	Water pre-heater	TV1	Water heater water temperature sensor
KV3	Water cooler	TV2	Water pre-heater water temperature sensor
DX	DX cooler	TV3	Water cooler water temperature sensor
M1	Actuator for by-pass damper	T1	Water heater thermostat
M2	Actuator for outdoor air damper	T2	Water heater/cooler switching thermostat
M3	Actuator for exhaust air damper	PS1	Supply air filter pressure switch
M4	Water heater circulation pump	PS2	Extract air filter pressure switch
M5	Water cooler valve motor	PS3	Heat exchanger anti-frost pressure switch
M6	Water heater valve motor	U3	Supply air fan pressure sensor
M12	Water preheater valve motor	U4	Extract air fan pressure sensor
M14	Water cooler circulation pump**		

List of external sensors, inputs/outputs and controllers

CO ₂	CO ₂ sensor	FA	Fire alarm
Stouch	Remote control panel	FPP	Fireplace protection
Ptouch	Remote control panel		System mode switch (start/stop)
MB-Gateway	Network module		Fans speed switch (BOOST)
NET	Network	H1	Operation indication output
PC	Computer	H2	Alarm indication output

Symbols

	Outdoor air		Extract air		Exhaust air		Supply air		Ventilated premises
--	-------------	--	-------------	--	-------------	--	------------	--	---------------------

* - only one preheater can be connected.

** - only one cooler can be connected.