

MANUEL D'UTILISATION
USER INSTRUCTIONS
SOLANO EASY PRO



Veuillez lire ce manuel d'utilisation attentivement, avant tout travail d'installation, de dépose ou d'entretien. Le fabricant ne peut être tenu responsable d'aucun dommage aux personnes et/ou aux biens si les instructions de ce manuel n'ont pas été suivies.

Before performing any installation, maintenance or removal work, please read these instructions carefully. The manufacturer cannot be held responsible for any damage to persons and/or property if the instructions in this manual are not followed.

INTRODUCTION	28
1 IMPORTANT SAFETY INFORMATION.....	28
2 MODELS.....	29
3 GENERAL INFORMATION	30
4 TECHNICAL DATA SOLANO EASY PRO W	31
5 TECHNICAL DATA SOLANO EASY PRO E	32
6 TECHNICAL DATA SOLANO EASY PRO N	33
7 DIMENSIONS	33
8 INSTALLATION.....	34
9 MOUNTING	34
10 ELECTRICAL CONNECTION	38
11 CONNECTION DIAGRAM SOLANO EASY PRO N/W	39
12 CONNECTION OF HYDRAULIC INSTALLATION.....	40
13 PARAMETERS OF THE HEATING MEDIUM.....	42
14 CONNECTION DIAGRAM SOLANO EASY PRO E.....	42
15 CONTROLS – OPTIONAL ELEMENTS	43
16 CONNECTION DIAGRAM SOLANO EASY PRO N/W S-TOUCH + S-ECM.....	45
17 CONNECTION DIAGRAM SOLANO EASY PRO E S-TOUCH + S-ECM	46
18 ADJUSTMENT OF OUTLET GRILLE.....	47
19 FILTER INSTALLATION	47
20 OPERATION.....	48
21 CLEANING AND MAINTENANCE	48
22 COMPLIANCE WITH 2009/125/EC.....	49
23 CONFORMITY WITH WEEE DIRECTIVE 2012/19/UE	49
24 CONCLUSION	50

INTRODUCTION

Please read this notice carefully before installation or usage.

Thank you for purchasing the SOLANO EASY PRO air curtain. The manufacturer reserves the right to make revisions and changes in the operation manual at any time and without notice, and also to make changes in the device that do not influence its operation. This manual is an integral part of the device and it must be delivered to the user together with the device. In order to ensure correct operation of the equipment, get thoroughly acquainted with this manual and keep it for the future.

1 IMPORTANT SAFETY INFORMATION

The device is powered by dangerous voltage. Always disconnect the device from the power supply before servicing or accessing its internal components.

Do not insert your fingers or any objects inside the device.

Do not cover the device.

Before installing, connecting, starting up, using and maintaining the device, please read this manual completely.

After receiving the product, check that it has not been damaged during transport.

If the product appears to be damaged, **DO NOT START TO MOUNT THE DEVICE**; instead, you must immediately report the damage to the carrier.

The device must be mounted in a stable way and in accordance with the instructions, in a place that can be easily accessed, thus ensuring the possibility of carrying out repairs and routine maintenance, as well as allowing easy and safe disassembly of the device.

The stability and durability of installation of the device depends on the structure of the building (in particular walls and ceilings). The person performing the assembly should take these conditions into account when mounting the device.

The technical documentation should be kept in a safe place, easily accessible to the user and service technician.

The nameplate is located next the cable glands on the top of the device.

Always test the operation of the device after installation.

The power connection shall be performed only by an authorized person.

The device is not equipped with a thermostat that controls the room temperature. Do not use the device in small rooms where there are people who are not able to leave the premises alone. Above mentioned does not apply to rooms with constant supervision.

The device requires periodic inspections in accordance with the instructions in this manual.

Do not hang/put pressure on the device.

Do not place any objects on the device or hang anything on the connection stubs.

The product should be stored and assembled out of the reach of small children.

The device is dedicated to work indoors with a maximum air dustiness of 0.3 g / m³. The device has elements made of aluminum, copper and galvanized steel and cannot be used in an corrosive environment. Equipment cannot be used in an environment where oil mist is present.

This equipment may be used by children that are at least 8 years old, by persons with reduced physical and mental abilities and persons with no experience and knowledge of the equipment, on condition that the supervision or instruction regarding correct use of the equipment in a safe manner is provided and the possible threats are understood. The device cannot be used by children to play. Unattended children should not clean or maintain the equipment.

The device in electric version (EASY PRO E) may emit a smell of burning dust at first start up or if it is starting after a long standstill.

2 MODELS

The SOLANO EASY PRO device group includes the following models:

EASY PRO-W-100 – curtain with water heat exchanger,

EASY PRO-W-150 – curtain with water heat exchanger,

EASY PRO-W-200 – curtain with water heat exchanger,

EASY PRO-E-100 – curtain with electric heaters,

EASY PRO-E-150 – curtain with electric heaters,

EASY PRO-E-200 – curtain with electric heaters,

EASY PRO-N-100 – curtain without heat exchanger,

EASY PRO-N-150 – curtain without heat exchanger.

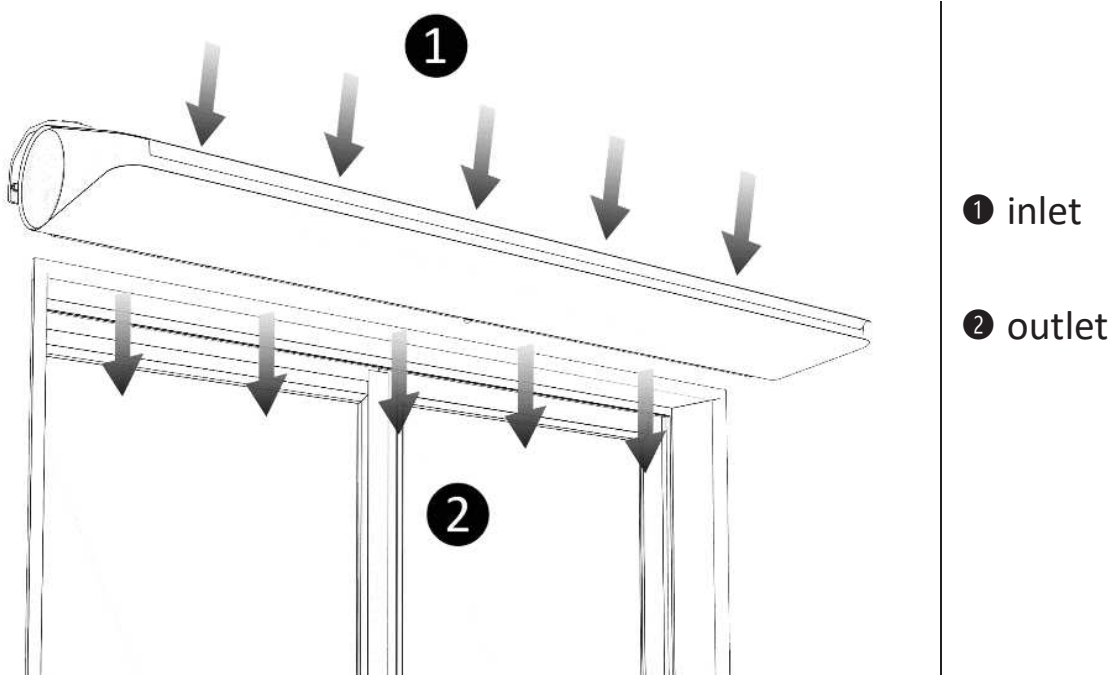
EASY PRO-N-200 – curtain without heat exchanger.

EASY PRO-W/N/E (100/150/200) – air curtains in standard version with 3-step fan.

3 GENERAL INFORMATION

EASY PRO air curtain is a high-quality device that, by creating an air barrier, reduces heat exchange losses. The device is dedicated **ONLY** for indoor use. The EASY PRO air curtain is intended for horizontal installation above a door opening or vertical installation with a door opening with a maximum height of 3.2 m*. The use of a heated air curtain (W or E) is recommended for public buildings . Under pressure in the building significantly reduces the efficiency of the air barrier, the ventilation system should be balanced. At a wind speed of more than 3 m/s, the heated version of air curtain should be used to increase user's comfort.

* according to ISO 27327-1



PIC. 3.1 Direction of airflow

4 TECHNICAL DATA SOLANO EASY PRO W

	EASY PRO W-100			EASY PRO W-150			EASY PRO W-200		
STEP	III	II	I	III	II	I	III	II	I
Power supply [V/Hz]	1N ~ 230/50								
Power consumption [W]	115	90	75	165	110	90	230	150	115
Current consumption [A]	0,5	0,4	0,3	0,7	0,5	0,4	1,0	0,6	0,5
Air volume [m ³ /h]*	1100	900	750	1950	1450	1200	2850	1800	1400
Air volume with filter (Coarse 30%) [m ³ /h]*	750	650	600	1300	1100	1000	1900	1600	1350
Range [m]*	3,2	2,8	2,1	3,2	2,8	2,1	3,2	2,8	2,1
Acoustic pressure level [dB(A)]** - 3 m	56	51	46	57	49	45	59	46	38
Acoustic pressure level [dB(A)]** - 5 m	55	50	45	56	48	44	58	45	37
Acoustic power level [dB(A)]***	70	66	61	72	64	59	74	61	53
Weight [kg]	16,2			21,5			26,9		
Weight of unit filled with water [kg]	16,8			22,4			28,1		
IP	20								
Max. operating temperature [°C]	30								
Connection stub ["]	½ internal thread connection								
Max. Water pressure [MPa]	1,6								
Max. Water temperature [°C]	110								
Heating power [kW]****	1,2 – 12,1			2,6 – 21,0			3,7 – 29,3		
Temperature increase (ΔT)[°C]****	3,0 – 32,5			4,0 – 32,0			4,0 – 30,5		

* according to ISO 27327-1;

** Acoustic pressure level has been measured in a 1500m³ space with a medium sound absorption coefficient, directional factor: Q=2;

*** Acoustic power level according to ISO 27327-2;

**** Range of heating powers and temperatures specified for the parameters: III fan speed, heating medium temperature 40/30 °C inlet temperature 20 °C - III fan speed, heating medium temperature 110/90 °C at the device inlet 0 °C.

5 TECHNICAL DATA SOLANO EASY PRO E

	EASY PRO E-100			EASY PRO E-150			EASY PRO E-200		
STEP	III	II	I	III	II	I	III	II	I
Power supply [V/Hz]	3N ~ 400/50 1N ~ 230/50								
Fan power consumption [W]	130	95	80	195	115	95	230	180	140
Fan current consumption [A]	0,5	0,4	0,3	0,8	0,5	0,4	1,0	0,8	0,6
Air volume [m ³ /h]*	1300	950	800	2200	1500	1250	3000	2500	1900
Range [m]*	3,2	2,8	2,1	3,2	2,8	2,1	3,2	2,8	2,1
Acoustic pressure level [dB(A)]** - 3 m	57	49	44	55	46	41	58	44	43
Acoustic pressure level [dB(A)]** - 5 m	56	48	43	54	45	40	57	43	42
Acoustic power level [dB(A)]***	72	64	59	70	61	56	73	67	60
Weight [kg]	15,1			19,6			24,6		
IP	20								
Max. operating temperature [°C]	30								
	3N ~ 400/50								
STEP	III	II	I	III	II	I	III	II	I
Heating elements power [kW]	5			9			12		
Heating elements current consumption [A]	8,5			13			17,3		
Temperature increase (ΔT) [°C]	20	22	24	20	26	32	19	22	26
	1N ~ 230/50								
Heating elements power [kW]	2			3			4		
Heating elements current consumption [A]	8,5			13			17,3		
Temperature increase (ΔT) [°C]	4	5	7	6	8	10	6	7	9

* according to ISO 27327-1;

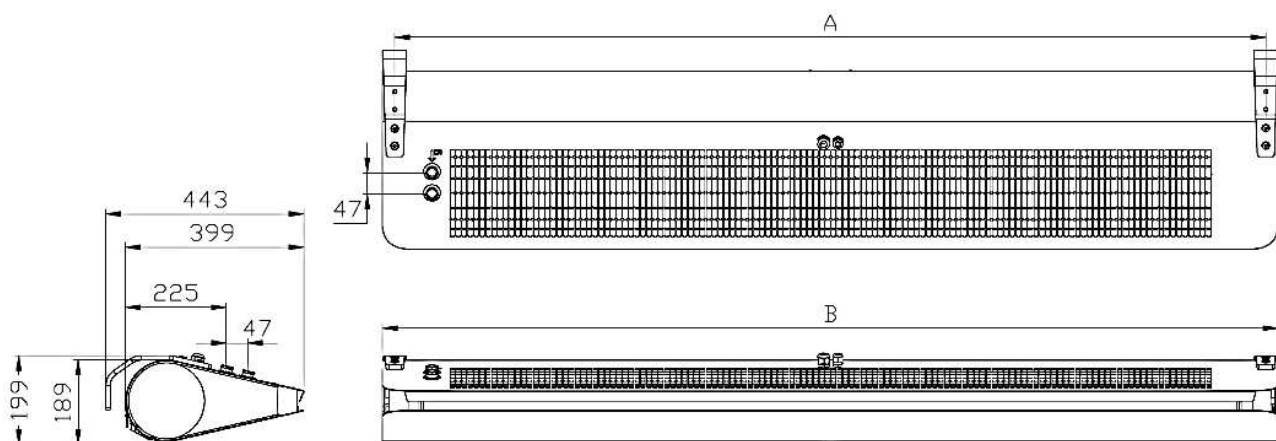
** Acoustic pressure level has been measured in a 1500 m³ space with a medium sound absorption coefficient, directional factor: Q=2;

*** Acoustic power level according to ISO 27327-2;

6 TECHNICAL DATA SOLANO EASY PRO N

STEP	EASY PRO N-100			EASY PRO N-150			EASY PRO N-200		
	III	II	I	III	II	I	III	II	I
Power supply [V/Hz]	1N ~ 230/50								
Power consumption [W]	140	100	80	200	120	95	230	150	110
Current consumption [A]	0,6	0,4	0,3	0,8	0,5	0,4	1,0	0,6	0,5
Air volume [m ³ /h]*	1400	1000	800	2300	1550	1300	3000	1900	1300
Air volume with filter (Coarse 30%) [m ³ /h]*	1000	900	750	1600	1350	1200	2200	1800	1250
Range [m]*	3,2	2,8	2,1	3,2	2,8	2,1	3,2	2,8	2,1
Acoustic pressure level [dB(A)]** - 3 m	58	50	44	57	46	42	57	42	35
Acoustic pressure level [dB(A)]** - 5 m	57	49	43	56	45	41	56	41	34
Acoustic power level [dB(A)]***	73	65	59	72	61	56	72	57	50
Weight [kg]	14,7			19,0			23,8		
IP	20								
Max. operating temperature [°C]	30								

7 DIMENSIONS



All values are given in millimeters

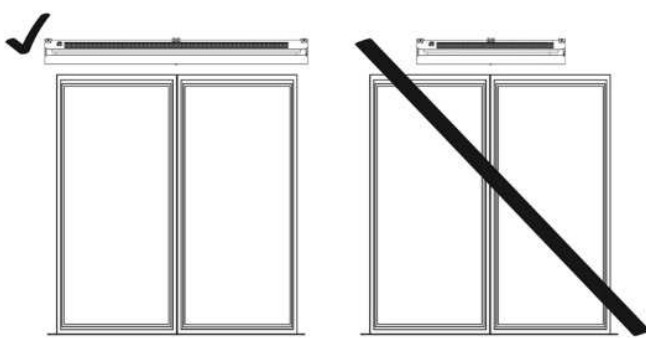
PIC. 7.1 EASY PRO Dimensions

	A [mm]	B [mm]
EASY PRO N/W/E-100	946	1000
EASY PRO N/W/E-150	1446	1500
EASY PRO N/W/E-200	1946	2000

8 INSTALLATION

Air curtains must be installed as close as possible to the door opening and cover:

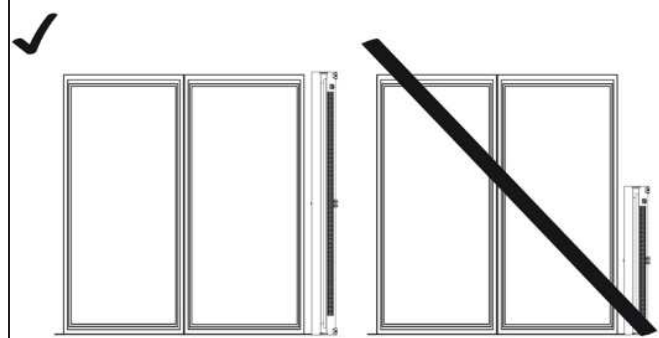
- the entire width (applies to horizontal installation),
- full height (applies to vertical mounting).



CORRECT

WRONG

PIC. 8.1 Proper horizontal installation



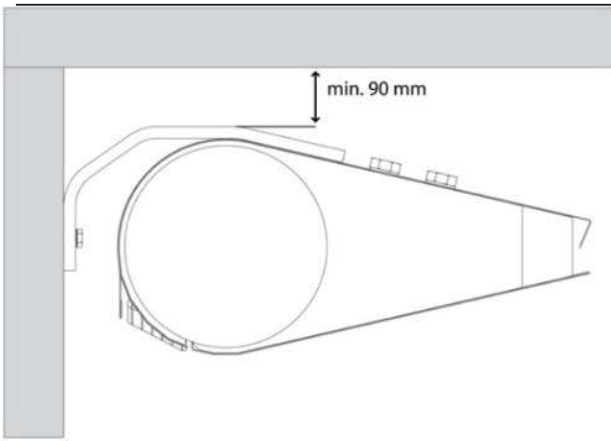
CORRECT

WRONG

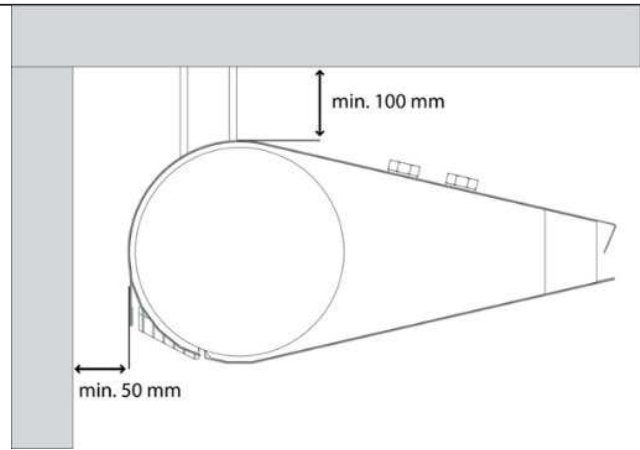
PIC. 8.2 Proper vertical installation

9 MOUNTING

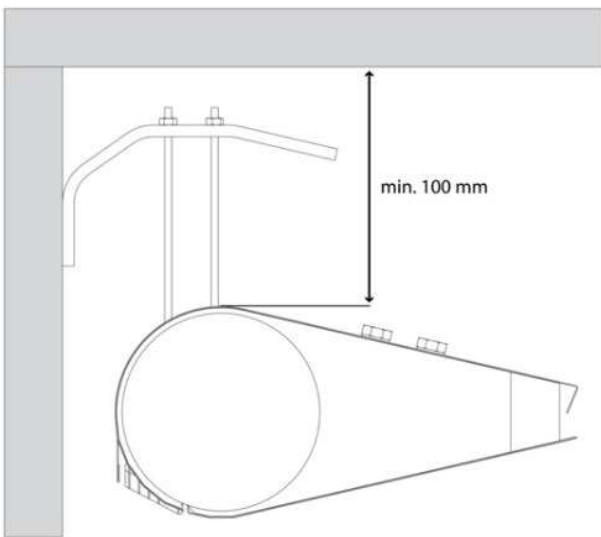
EASY PRO curtains are designed for horizontal mounting using 2 dedicated brackets or 4 M8 threaded rods (max. threaded rods length 1 m). It is also possible to install the curtains vertically using 2 brackets. During assembly, keep the minimum distances from the partitions as shown in the figure below. In addition, when installing the curtain, free access to the side of the device should be taken into account (required minimum 100 mm). The electric curtain (EASY PRO E) cannot be installed directly under the power socket. The device must be leveled before starting work.



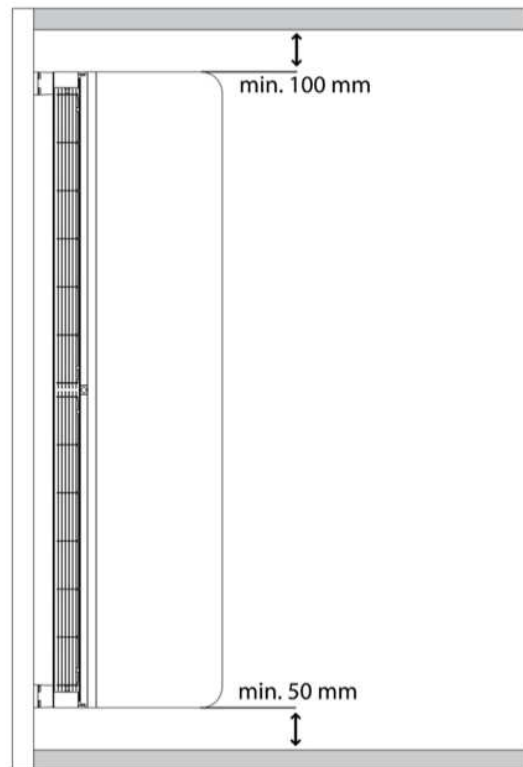
PIC. 9.1 Horizontal installation on dedicated brackets



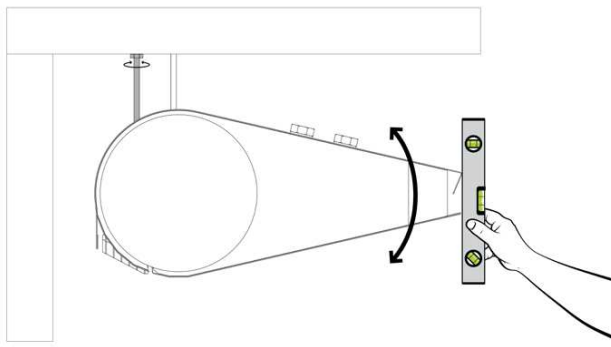
PIC. 9.2 Horizontal installation on threaded rods M8



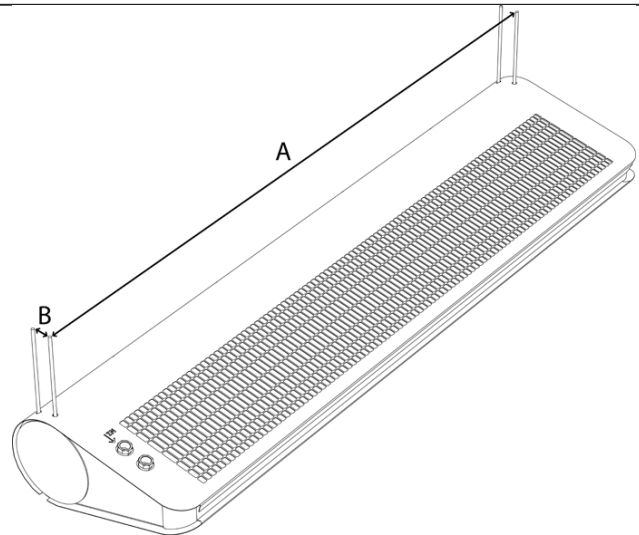
PIC. 9.3 Horizontal installation on 4 threaded rods M8 with 2 pcs. dedicated brackets



PIC. 9.4 Vertical mounting with 2 pcs. dedicated brackets

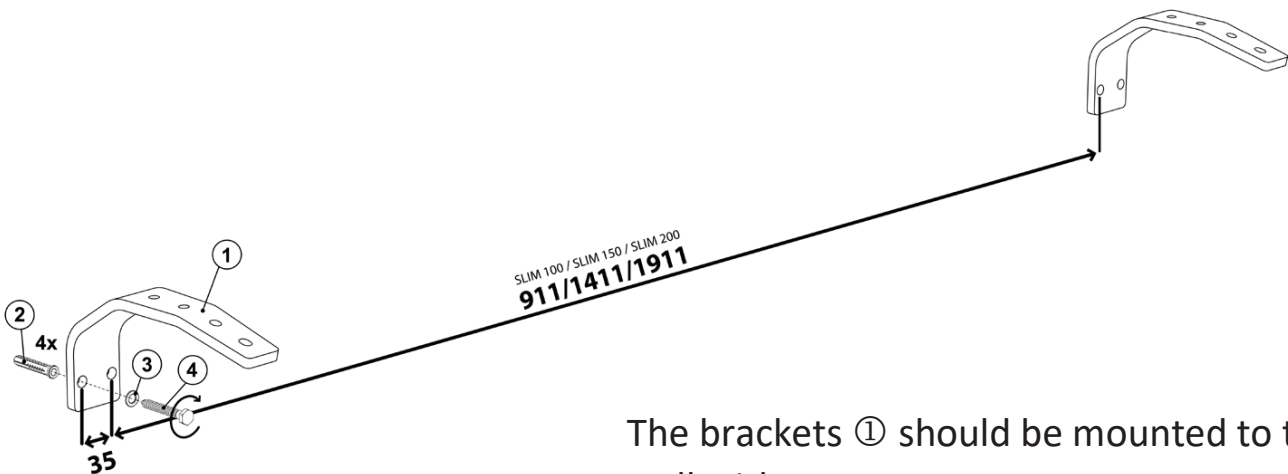


PIC. 9.5 Device leveling and counteracting with nuts



PIC. 9.6 Threaded rods spacing

EASY PRO	Installation pins spacing AxB [mm]
N/W/E-100;	946x40
N/W/E-150;	1446x40
N/W/E-200;	1946x40

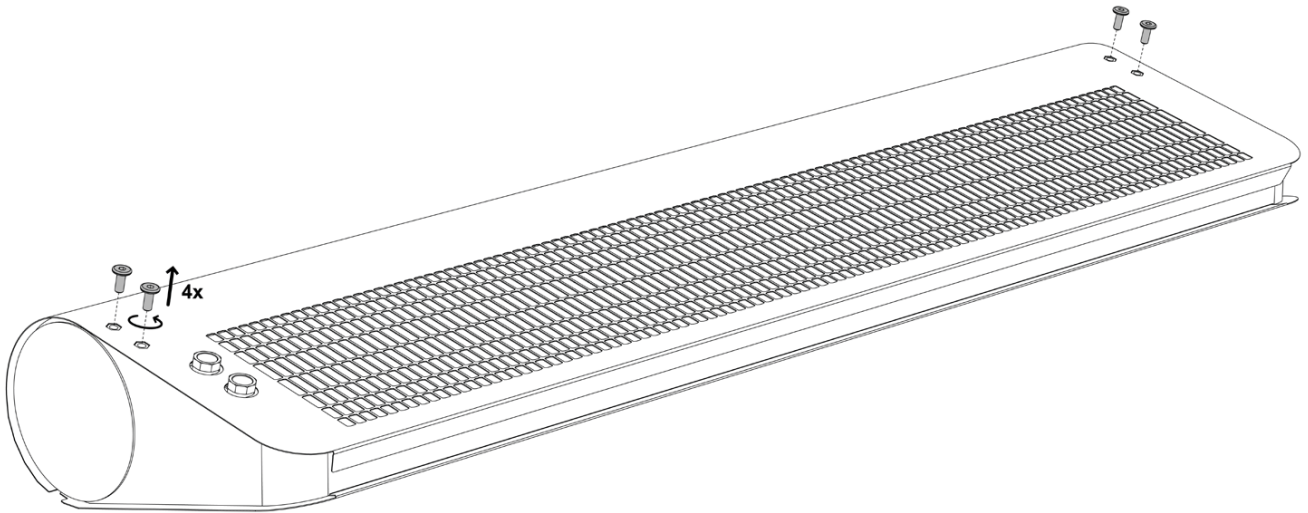


PIC. 9.7 Mounting brackets spacing

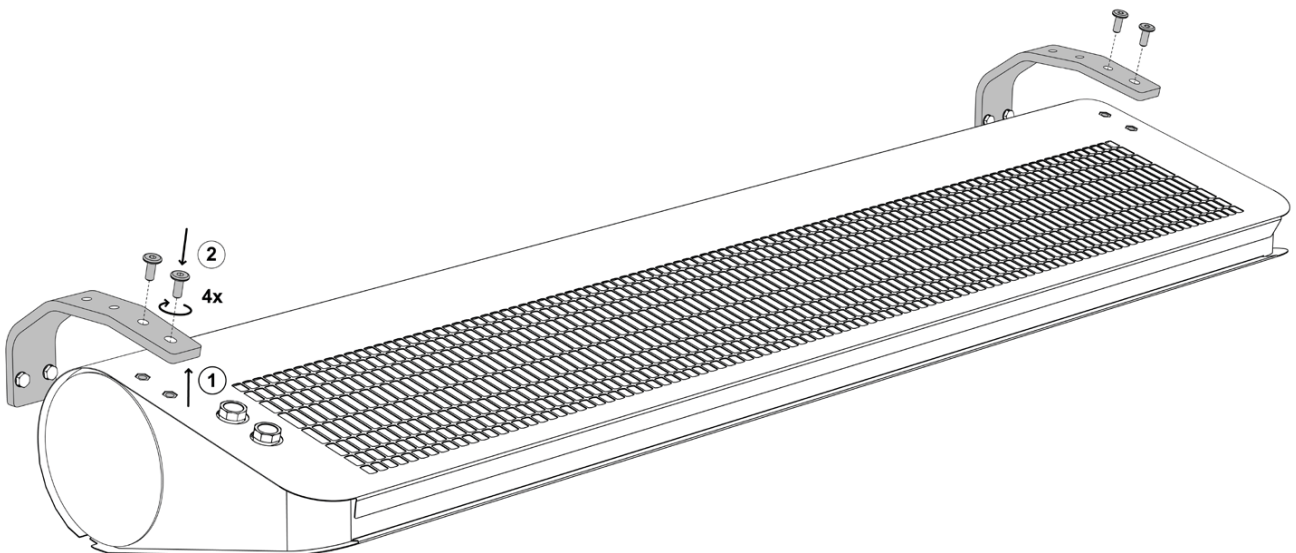
The brackets ① should be mounted to the wall with:

- ② Expansion fixings x 4 pcs * - properly selected for the type of partition
- ③ Washers x 4 pcs *
- ④ Anchor bolts x 4 pcs * - maximum size M10

* Not included

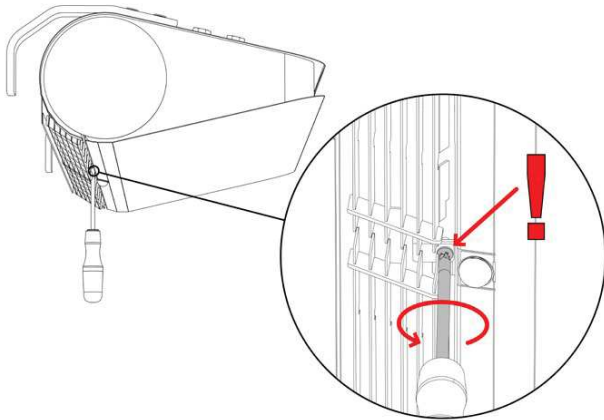


PIC. 9.8 Unscrew the bolts

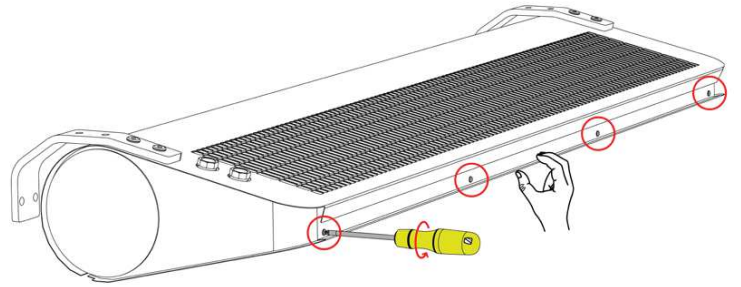


PIC. 9.9 Mounting the unit with brackets using bolts

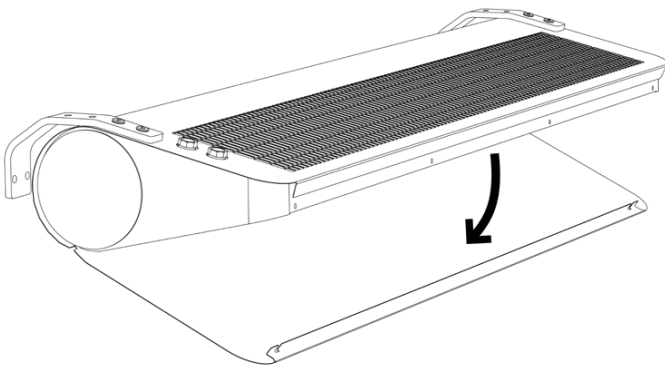
10 ELECTRICAL CONNECTION



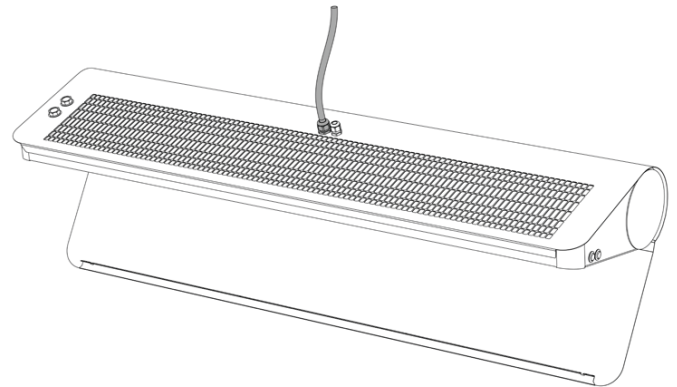
PIC. 10.1 Remove the screw next to the grill



PIC. 10.2 Remove the screws from the front



PIC. 10.3 Open the service hatch



PIC. 10.4 Put the cable through the gland

- The maximum outer diameter of the cable sleeve is 14.0 mm;
- The minimum outer diameter of cable sleeve is 4.0 mm;
- Maximum wire diameter 4,0 mm².

1. The power connection should be made in accordance with the technical documentation. The device installation should always be carried out in accordance with applicable local safety standards.

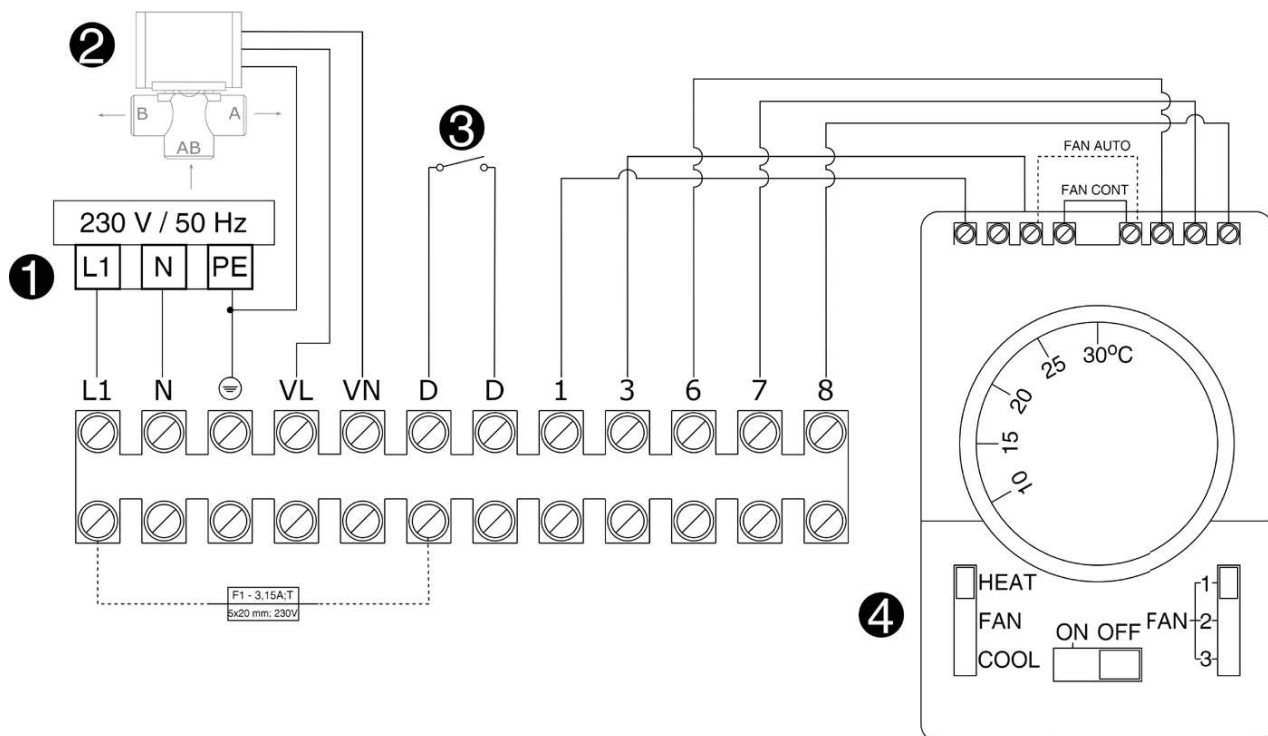
2. The cross-section and type of cable should be selected by the designer. (Always make sure that the disconnectors and protective switches are properly sized).

3. Make sure that the connection of power supply and controllers to the Easy Pro curtain is made in accordance with the electrical specifications and the instructions included in the connection diagrams in the technical documentation.

4. Before connecting the power supply, check that the mains voltage corresponds to the voltage on the device's type plate.

5. Check the power connection before connecting the air curtain.
6. Starting the device without connecting the grounding wire is not allowed.
7. Protect the power cord against pulling out by clamping the PG16 or PG11 cable gland
8. Tighten all connection cables in the block properly
9. In the event of a hazard due to unintentional reset of the thermal switch, this curtain (EASY PRO E) should not be powered by an external connecting device such as a time switch, or connected to a circuit that is regularly switched off and switched on during use.
- 10. Do not start the device with the service hatch open.**

11 CONNECTION DIAGRAM SOLANO EASY PRO N/W



PIC. 11.1 Power supply 1N~230V / 50 Hz + S-C

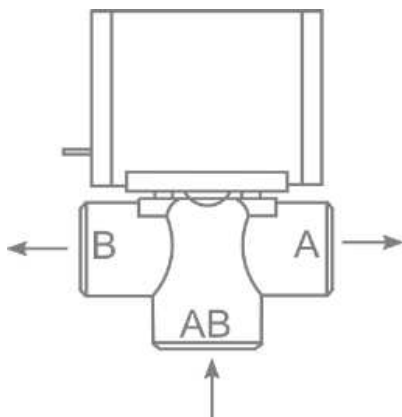
- ① Power supply: 1N ~ 230V/50Hz (min. 3x1,5mm²; Protection B4)
- ② Valve with actuator S-V-3-½; S-V-2-½ (min. 3x0,75mm²)
- ③ Door switch S-DS-RMAG/S-DS-MEC (door opened – closed switch)(min. 2x0,5mm²)
- ④ Air curtain step switch witch thermostat S-C (min. 5x0,5mm²)

In the event of a hazard arising from the unintentional reset of the thermal switch, this equipment should not be powered by an external connecting device, such as a time switch, or a disconnecter connected to the circuit, which is regularly switched OFF and ON during use.

VALVE PARAMETERS:

-S-V-3-1/2" - Three-way valve 1/2" with actuator

-S-V-2-1/2" - Two-way valve 1/2" with actuator



Class of protection: IP20

Supply voltage: 1N ~230V/50 Hz

Max. Medium temperature: + 93°C

Max. Operating pressure: 2.1Mpa

S-V-2 1/2 "Kvs: 3.0 m³/h

S-V-3 1/2 "Kvs: 3.4 m³/h

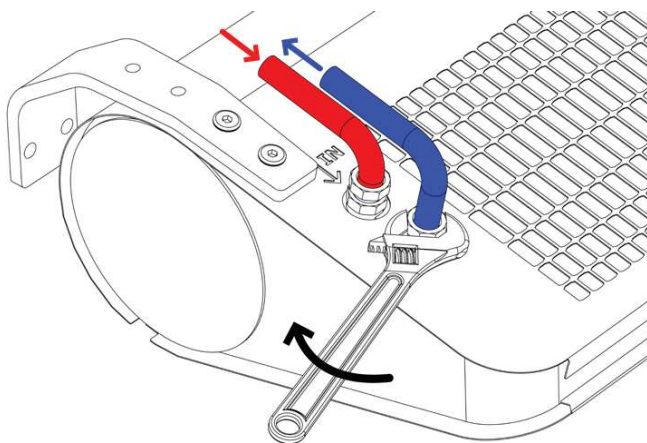
Motor running time: 18 s

A – Return pipe water supply

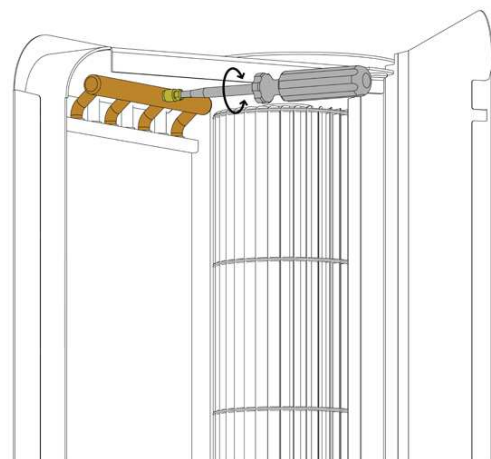
AB – Valve water supply

B – Exchanger water supply

12 CONNECTION OF HYDRAULIC INSTALLATION



PIC. 12.1 Delivery of the heating medium



PIC. 12.2 Bleeding / air release valve

Disconnect the curtain power supply before connecting the water system.

The connection should be made without stress. It is recommended to use flexible ducts supplying the heating medium.

Water supply should be connected to the connector marked with the symbol ↓ IN.

The installation with the heating medium must be protected against the increase of the heating medium pressure above the permissible value (1.6 MPa).

Before starting the device, check the correct connection of the heating medium and the system for leaks.

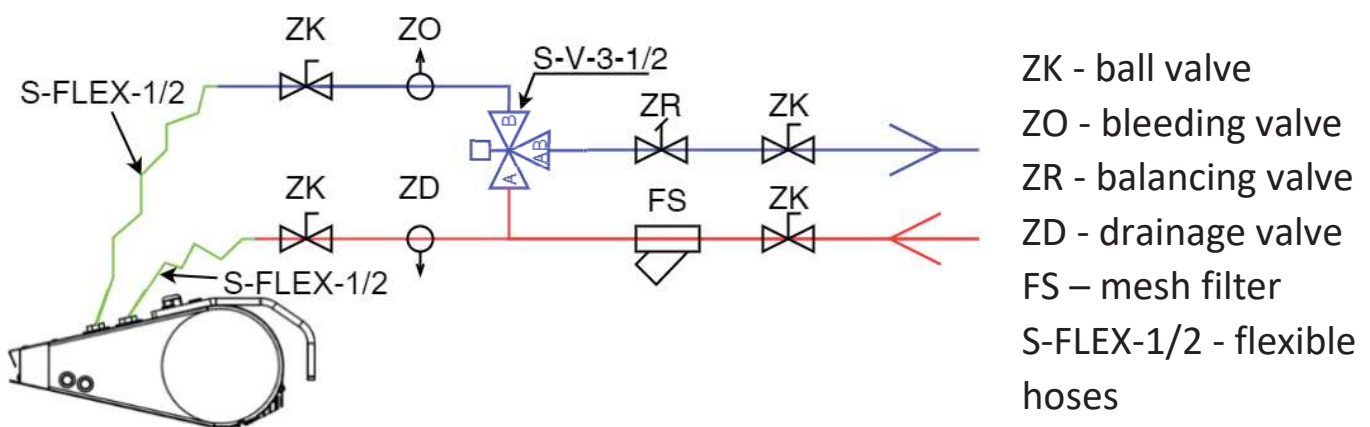
During assembly of the installation it is absolutely necessary to immobilize the exchanger's connector pipes (counter).

After filling the system with heating medium, check the tightness of the hydraulic connections, including the built-in vent.

1. It is recommended to use bleeding/air release valves at the highest point of the installation. When installing the device vertically, bleeding should be done using the built-in valve (PIC. 12.2) while protecting the remaining elements of the device against water damage/flooding.

2. In the event that the water from the device is drained for a longer period of time, the exchanger tubes should be blown and dried with compressed air.

3. Installation should be carried out in such a way that in the event of a failure it is possible to dismantle the device (use of flexible hoses is recommended). For this purpose, use shut-off valves next to the device (PIC. 12.3).



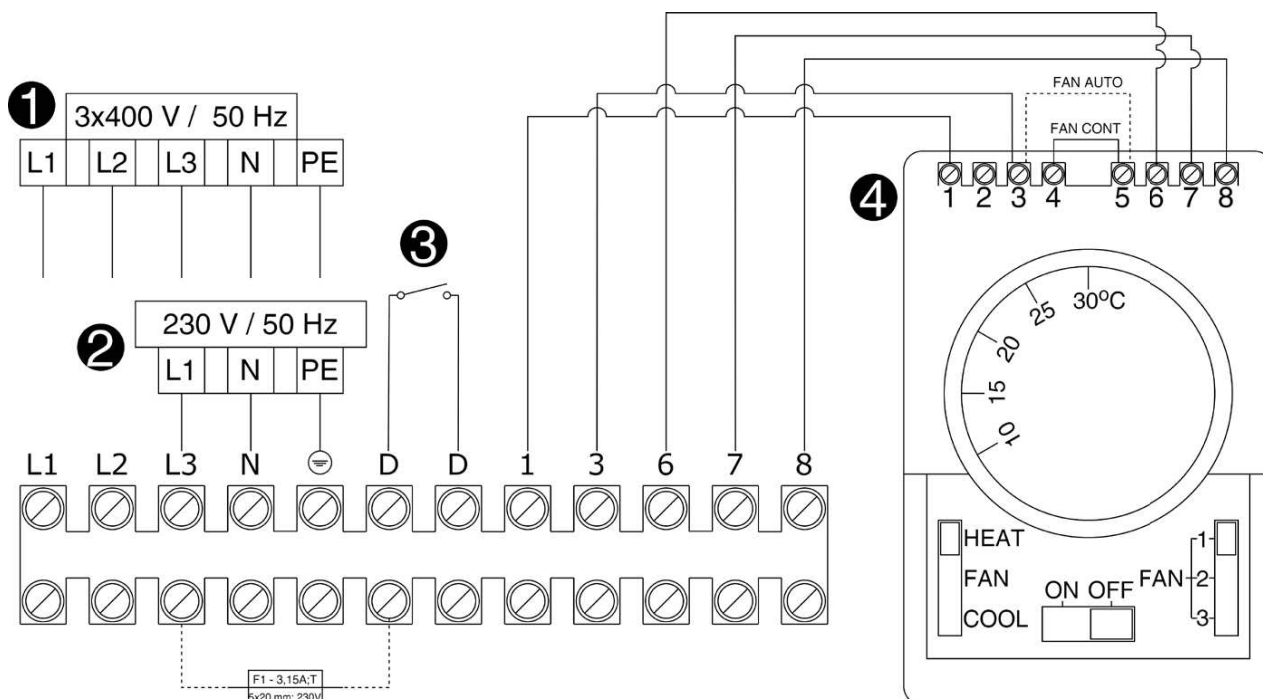
PIC. 12.3 Connection example of hydraulic components

13 PARAMETERS OF THE HEATING MEDIUM

The water heat exchanger can be supplied with water or glycol solutions up to 60% . The heat exchanger tubes are made of copper. The heating medium should not cause corrosion of this material. In particular, the parameters as below should be provided.

Parameter	Value
pH	7,5-9,0
Pollution	Free of sediments/particles
Total hardness	[Ca ²⁺ ,Mg ²⁺]/ [HCO ₃ ⁻] > 0.5
Oil and grease	<1 mg/l
Oxygen	<0.1mg/l
HCO ³	60-300 mg/l
Ammonia	< 1.0 mg/l
Sulphides	< 0.05 mg/l
Chlorides, Cl	<100 mg/l

14 CONNECTION DIAGRAM SOLANO EASY PRO E



PIC. 14.1 Power supply 1N (~230V / 50 Hz) and 3N (~400V / 50 Hz) + S-C.

① Power supply:

3N ~ 400V/50Hz:

EASY PRO E-100 (min. 5x2,5mm²;
Protection B10)

EASY PRO E-150 (min. 5x2,5mm²;
Protection B16)

EASY PRO E-200 (min. 5x4,0mm²;
Protection B20)

② Power supply:

1N ~ 230V/50Hz:

EASY PRO E-100 (min. 3x1,5mm²;
Protection B10)

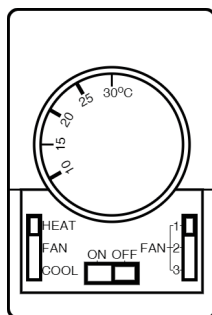
EASY PRO E-150 (min. 3x1,5mm²;
Protection B16)

EASY PRO E-200 (min. 3x2,5mm²;
Protection B20)

In the event of a hazard arising from the unintentional reset of the thermal switch, this equipment should not be powered by an external connecting device, such as a time switch, or a disconnecter connected to the circuit, which is regularly switched OFF and ON during use.

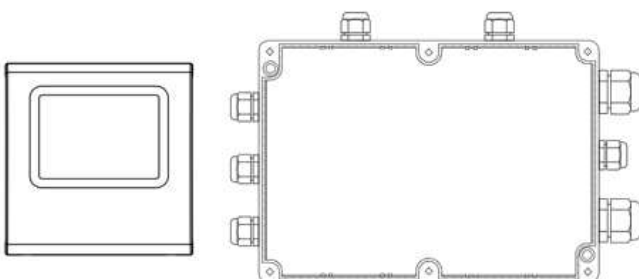
15 CONTROLS – OPTIONAL ELEMENTS

S-C



PIC. 15.1 3-step regulator with built in thermostat.

S-TOUCH + S-ECM



PIC. 15.2 Touch screen controller + control system.

FAN AUTO - fan operation depends on the temperature.

FAN CONT - continuous fan operation

HEAT - heating function

FAN - deactivate the thermostat for FAN CONT

COOL - reversal of the operation logic of the thermostat

S-Touch:

Temperature setting range: +5 ... + 35° C

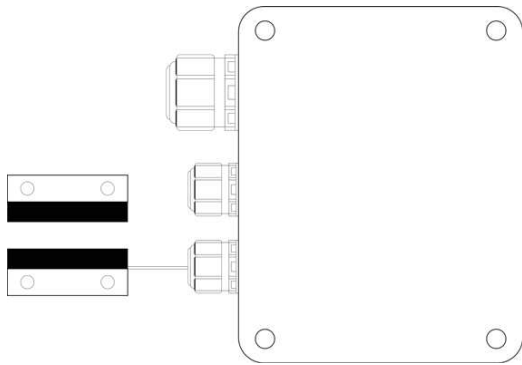
Operating temperature range: -10 ... + 60°C Protection degree: IP30

Supply voltage: 24 VDC

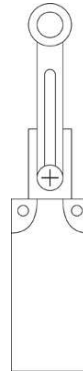
S-ECM:

Operating temperature range: -10 ... + 60°C Protection degree: IP54

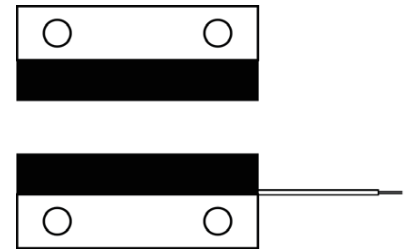
Supply voltage: 230 V / 50 Hz

DOOR SWITCH


PIC. 15.3 S-DS-RMAG



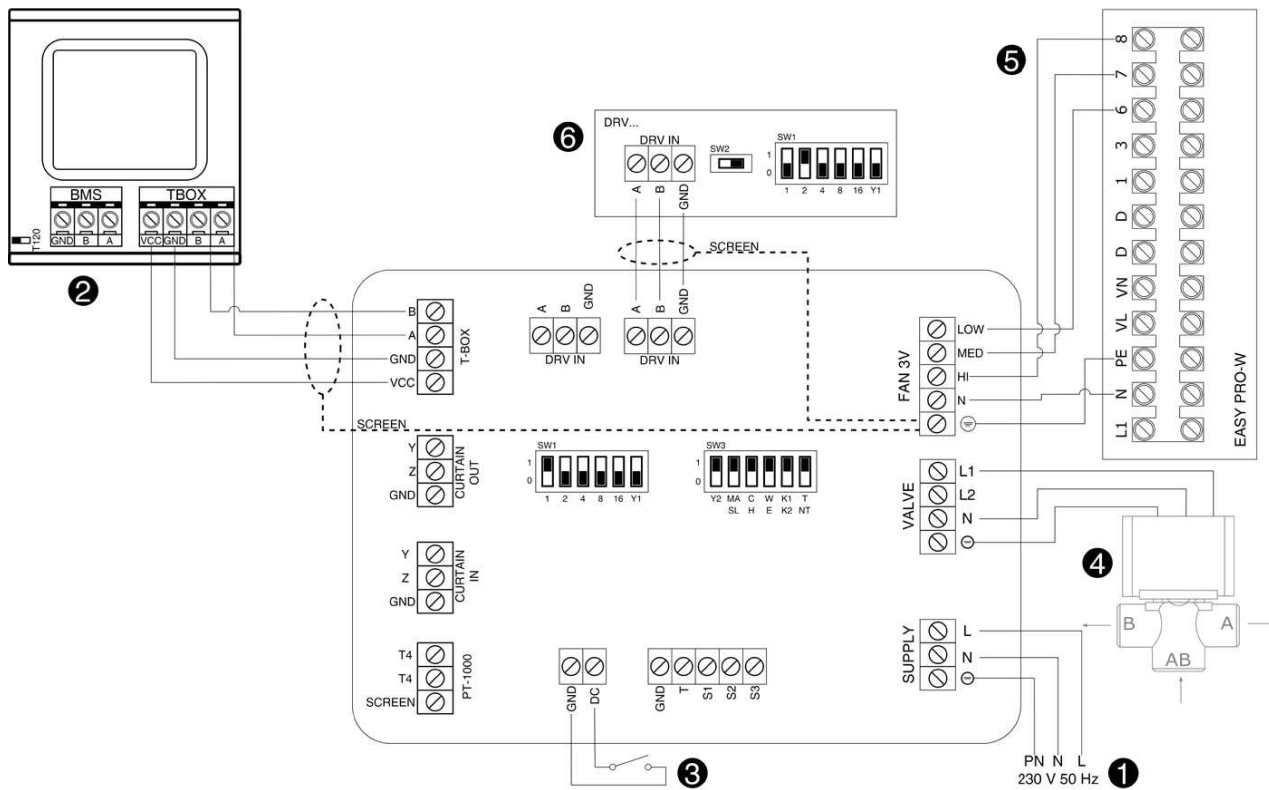
PIC. 15.4 S-DS-MEC



PIC. 15.5 S-DS-MAG

Door switch	S-DS-RMAG	S-DS-MEC	S-DS-MAG
Operation temperature range	-5...+60°C	-10...+80°C	-5...+60°C
Cooperates with	S-C	S-C	S-TOUCH + S-ECM
Protection degree	IP65	IP66	IP64
Contacts current capacity	5A	3A	0,5A
Power supply	230V	230VAC	Max. 175VDC
Weight	800g	200g	100g
Installation type	Surface (wall)	Surface (wall)	Surface (wall)

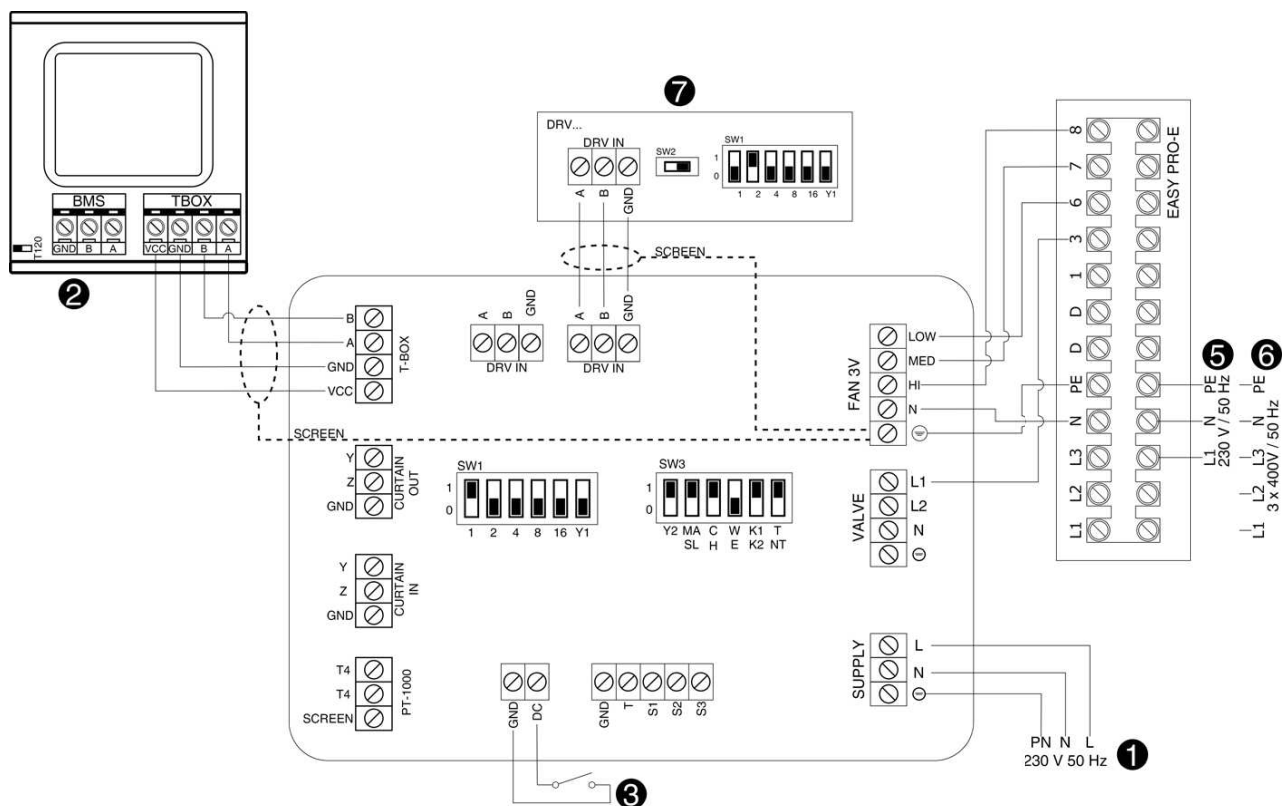
16 CONNECTION DIAGRAM SOLANO EASY PRO N/W S-TOUCH + S-ECM



PIC. 16.1 EASY PRO + S-Touch + S-ECM + Door sensor diagram + S-Touch.

- ① Power supply 230V / 50 Hz (min. 3x1mm²)
- ② S-Touch (LIYCY 2x2x0,5mm²)
- ③ Door contact S-DS-MAG / S-DS-MEC (door closed – contacts opened; door opened – contacts closed)(min. 2x0,5mm²)
- ④ Valve with actuator S-V-3-½; S-V-2-½ (min. 3x0,75mm²)
- ⑤ EASY PRO N/W
- ⑥ NOTE: In last S-ECM in line, dipswitch SW2 has to be switched to the right T120

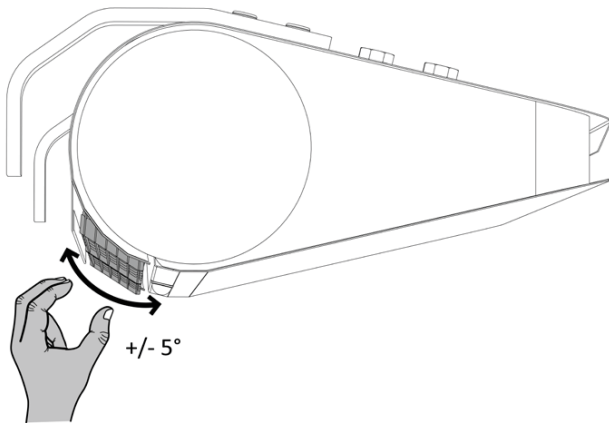
17 CONNECTION DIAGRAM SOLANO EASY PRO E S-TOUCH + S-ECM



PIC. 17.1 EASY PRO + S-Touch + S-ECM + Door sensor diagram + S-Touch.

- ① Power supply 3x400V / 50 Hz
- ② S-Touch (LIYCY 2x2x0,5mm²)
- ③ Door contact S-DS-MAG / S-DS-MEC (door closed – contacts opened; door opened – contacts closed)(min. 2x0,5mm²)
- ④ Power supply:
3N ~ 400V/50Hz:
EASY PRO E-100 (min. 5x2,5mm²;
Protection B10)
EASY PRO E-150 (min. 5x2,5mm²;
Protection B16)
EASY PRO E-200 (min. 5x4,0mm²;
Protection B20)
- ⑤ Power supply:
1N ~ 230V/50Hz:
EASY PRO E-100 (min. 3x1,5mm²;
Protection B10)
EASY PRO E-150 (min. 3x1,5mm²;
Protection B16)
EASY PRO E-200 (min. 3x2,5mm²;
Protection B20)
- ⑦ NOTE: In last S-ECM in line, dipswitch SW2 has to be switched to the right T120

18 ADJUSTMENT OF OUTLET GRILLE



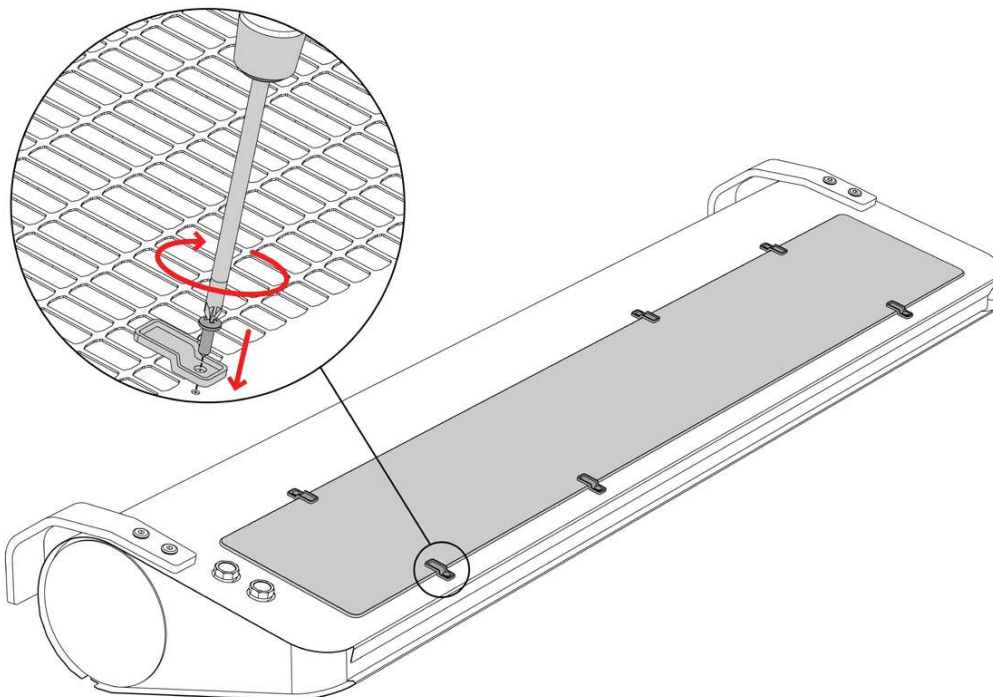
PIC. 18.1 Manual adjustment of outlet grille

The device is equipped with two independently adjustable outlet grilles. The angle should be set manually within $\pm 5^\circ$. The airflow from the outlet grille should be directed as close as possible to the plane of the door opening (taking into account the conditions prevailing at the door opening).

In order to increase the effectiveness of the air barrier during windy conditions, the curtain's air stream should be directed outside the door to create a more efficient air barrier to external factors.

19 FILTER INSTALLATION

EASY PRO curtains in N and W versions are ready to operate with an external



PIC. 19.1 Mounting and exchanging the air filter

COARSE 30% filter mounted on the upper surface of the device. The filter should be replaced periodically, depending on the degree of dirtiness. When replacing the filter, loosen the mounting brackets and then rotate them.

20 OPERATION

1. The device must be periodically checked. These activities should be performed ONLY by qualified personnel. If the device malfunctions, turn it OFF immediately and contact FLOWAIR SERVICE SUPPORT.
2. Do not attempt to repair, move, modify, or reinstall the device yourself. Performing these activities by unauthorized personnel may result in electric shock or fire.
3. Do not use a damaged device. The manufacturer is not responsible for damages resulting from the use of a damaged device.
4. The device is intended for indoor use at temperatures above 0°C. At temperatures below 0°C there is a risk of freezing of the medium.
The manufacturer is not responsible for damage to the heat exchanger resulting from the freezing of the medium in the exchanger.

The heating elements are equipped with thermal protections, which in case of too high temperature in their surroundings will disconnect the heating. The heating can be switched on again after the temperature has dropped and:

- c) manual reset is performed by switching OFF and ON the heating with external controller.
- d) automatic reset: when changing fan step to maximum.

If the heating disconnects repeatedly, contact a qualified service center.

21 CLEANING AND MAINTENANCE

Periodically check (at least twice a year) the dirtiness level of the heat exchanger (EASY PRO W), electric heaters (EASY PRO E). Clogging a part of the air intake causes a decrease in the heating power of the device and adversely affects the operation of the fan, and in the case of electric heaters it can cause permanent loss of rated parameters.

Cleaning the exchanger should be carried out in accordance with the following guidelines:

- The power supply must be disconnected during cleaning.
- Open the service flap.
- When cleaning the exchanger, be careful not to bend the aluminum fins.
- It is not recommended to use sharp objects for cleaning, due to the possibility of damage to the lamellas.

- Cleaning with compressed air is recommended.
- The exchanger cannot be cleaned with water!
- Cleaning should be carried out along the slats, with the blowing nozzle perpendicular to exchanger.

22 COMPLIANCE WITH 2009/125/EC

	EASY PRO 100	EASY PRO 150	EASY PRO 200
1.	Not applicable, power at the optimum energy efficiency point <0.125 kW	17,2	17,1
2.		B	B
3.		Total	
4.		21	21
5.		VSD - No	
6.		2020	2020
7.		FLOWAIR Głogowski i Brzeziński Sp.J., 0000278434, Poland	
8.			
9.		0,139 kW, 1242 m ³ /h, 58 Pa	0,197 kW, 2167 m ³ /h, 56 Pa
10.		1288 RPM	1298 RPM
11.		1,0	1,0
12.		Disassembly of the device should be performed by qualified personnel familiar with this device's documentation. To dispose of the device, please read the chapter: COMPLIANCE WITH WEEE DIRECTIVE 2012/19/UE	
13.		The service life of the device depends on compliance with the guidelines contained in this documentation, particularly those designated as CAUTION and WARNING	
14.		Device Casing	

23 CONFORMITY WITH WEEE DIRECTIVE 2012/19/UE

Running a business without harming the environment and observing the rules of proper handling of waste electrical and electronic equipment is a priority for FLOWAIR.

The symbol of the crossed out wheeled bin placed on the equipment, packaging or documents attached means that the product must not be disposed of with other wastes. It is the responsibility of the user to hand the used equipment to a designated collection point for proper processing. The symbol means that the equipment was placed on the market after August 13, 2005.



For information regarding recycling of waste electrical and electronic equipment, please contact your local distributor.

R E M E M B E R :

Do not dispose of used equipment together with other waste! There are financial penalties for this. Proper handling of used equipment prevents potential negative consequences for the environment and human health. At the same time, we save the Earth's natural resources, reusing resources obtained from the processing of equipment.

24 CONCLUSION

For the correct and safe use, it is essential to read and comply with the instructions given in this manual. Do not hesitate to contact our sales department or our technical support for any information.

Notes

