

SERVICE MANUAL



CONTENTS

SPECIFICATIONS	1
DIMENSIONS	5
REFRIGERANT SYSTEM DIAGRAM ...	11
CIRCUIT DIAGRAM	16
PCB CIRCUIT DIAGRAM	21
ERROR DETECTION	28
PARTS (OUTDOOR UNIT)	30
PARTS (INDOOR UNIT)	40
ACCESSORIES	77

Outdoor unit	Indoor unit
AOYG90LRLA	ABYG22LVTA
UTP-SX254A	ABYG30LRTE
UTP-SX272A	ABYG45LRTA
UTP-SX372A	ARYG22LMLA
	ARYG30LMLE
	ARYG45LMLA
	AUYG22LVLA
	AUYG30LRLE
	AUYG45LRLA
	UTG-UFYD-W
	UTG-UGYA-W

SPECIFICATIONS

OUTDOOR UNIT

Model name		AOYG90LRLA
Power source		400V 50Hz Three phase
Current	Cooling	13.5 A
	Heating	14.1 A

FAN MOTOR AND FAN REVOLUTION

Discrimination		MFE-ZA2VB2N
Cooling	Upper fan	730 rpm
	Lower fan	690 rpm
Heating	Upper fan	780 rpm
	Lower fan	740 rpm

AIR CIRCULATION

Cooling	8,400 m ³ /h
Heating	9,000 m ³ /h

NOISE LEVEL

Cooling	55 dB
Heating	57 dB

COMPRESSOR

Type	Scroll type, 3 pole, 3 phase, DC brushless motor
Discrimination	ANB66FVKMT
Weight (with oil)	37.6 kg

REFRIGERANT

Refrigerant type		R410A
Precharged refrigerant		7,100 g
Additional charge	Liquid pipe Φ 12.7 mm	110 g/m
	Φ 9.52 mm	50 g/m

MEASUREMENT

Dimensions H x W x D	1,4280 x 1,080 x 480 mm
Weight Net / Shipping	172 kg / 190 kg

INDOOR UNIT
CEILING TYPE

FAN MOTOR AND FAN REVOLUTION

Model name		ABYG22LVTA	ABYG30LRTE	ABYG45LRTA
Discrimination		MFH-24RVL	MFH-45RVL	
Cooling	High	1,330 rpm	1,000 rpm	1,200 rpm
	Medium	1,150 rpm	910 rpm	1,000 rpm
	Low	1,000 rpm	750 rpm	830 rpm
	Quiet	780 rpm	650 rpm	680 rpm
Heating	High	1,300 rpm	1,000 rpm	1,200 rpm
	Medium	1,150 rpm	910 rpm	1,000 rpm
	Low	1,000 rpm	750 rpm	830 rpm
	Quiet	780 rpm	650 rpm	680 rpm

AIR CIRCULATION

Ventilation	High	980 m3/h	1,660 m3/h	2,100 m3/h
	Medium	820 m3/h	1,500 m3/h	1,700 m3/h
	Low	680 m3/h	1,200 m3/h	1,400 m3/h
	Quiet	540 m3/h	1,000 m3/h	1,100 m3/h

NOISE LEVEL

Cooling	High	48 dB	45 dB	49 dB
	Medium	44 dB	43 dB	45 dB
	Low	40 dB	37 dB	39 dB
Heating	Quiet	35 dB	32 dB	34 dB
	High	48 dB	45 dB	49 dB
	Medium	44 dB	43 dB	45 dB
	Low	40 dB	37 dB	39 dB
Heating	Quiet	35 dB	32 dB	34 dB

MEASUREMENT

DIMENSIONS	H x W x D	199 x 990 x 655	240 x 1,660 x 700 mm
WEIGHT	Net / Shipping	27 kg / 36 kg	46 kg / 58 kg

INDOOR UNIT
DUCT TYPE

FAN MOTOR AND FAN REVOLUTION

Model name		ARYG22LMLA	ARYG30LMLE	ARYG45LMLA
Discrimination		MFG-24RVAL	MFG-45RVN	
Cooling	High	830 rpm	1,130 rpm	1,350 rpm
	Medium	700 rpm	980 rpm	1,150 rpm
	Low	600 rpm	790 rpm	910 rpm
	Quiet	550 rpm	630 rpm	770 rpm
Heating	High	830 rpm	1,270 rpm	1,350 rpm
	Medium	700 rpm	980 rpm	1,150 rpm
	Low	600 rpm	790 rpm	910 rpm
	Quiet	550 rpm	630 rpm	770 rpm

AIR CIRCULATION

Ventilation	High	1,100 m3/h	2,100 m3/h	2,100 m3/h
	Medium	910 m3/h	1,620 m3/h	1,750 m3/h
	Low	750 m3/h	1,270 m3/h	1,350 m3/h
	Quiet	580 m3/h	980 m3/h	1,070 m3/h

NOISE LEVEL

Cooling	High	31 dB	39 dB	42 dB
	Medium	29 dB	35 dB	38 dB
	Low	27 dB	30 dB	32 dB
Heating	Quiet	25 dB	26 dB	28 dB
	High	31 dB	42 dB	42 dB
	Medium	29 dB	35 dB	38 dB
	Low	27 dB	30 dB	32 dB
Heating	Quiet	25 dB	26 dB	28 dB

MEASUREMENT

DIMENSIONS	H x W x D	270 x 1,135 x 700 mm		
WEIGHT	Net / Shipping	38 kg / 44 kg	40 kg / 47 kg	

**INDOOR UNIT
CASSETTE TYPE**

FAN MOTOR AND FAN REVOLUTION

Model name		AUYG22LVLA	AUYG30LRLE	AUYG45LRLA
Discrimination		MFF-24RVL	MFF-54CVL	
Cooling	High	960 rpm	570 rpm	690 rpm
	Medium	850 rpm	510 rpm	610 rpm
	Low	650 rpm	470 rpm	550 rpm
	Quiet	500 rpm	420 rpm	470 rpm
Heating	High	960 rpm	570 rpm	690 rpm
	Medium	880 rpm	510 rpm	610 rpm
	Low	740 rpm	470 rpm	550 rpm
	Quiet	580 rpm	420 rpm	470 rpm

AIR CIRCULATION

Ventilation	High	930 m3/h	1,600 m3/h	1,900 m3/h
	Medium	830 m3/h	1,400 m3/h	1,640 m3/h
	Low	600 m3/h	1,270 m3/h	1,460 m3/h
	Quiet	450 m3/h	1,150 m3/h	1,250 m3/h

NOISE LEVEL

Cooling	High	49 dB	40 dB	46 dB
	Medium	44 dB	38 dB	42 dB
	Low	36 dB	36 dB	40 dB
	Quiet	30 dB	32 dB	36 dB
Heating	High	49 dB	40 dB	46 dB
	Medium	45 dB	38 dB	42 dB
	Low	40 dB	36 dB	40 dB
	Quiet	33 dB	32 dB	36 dB

MEASUREMENT

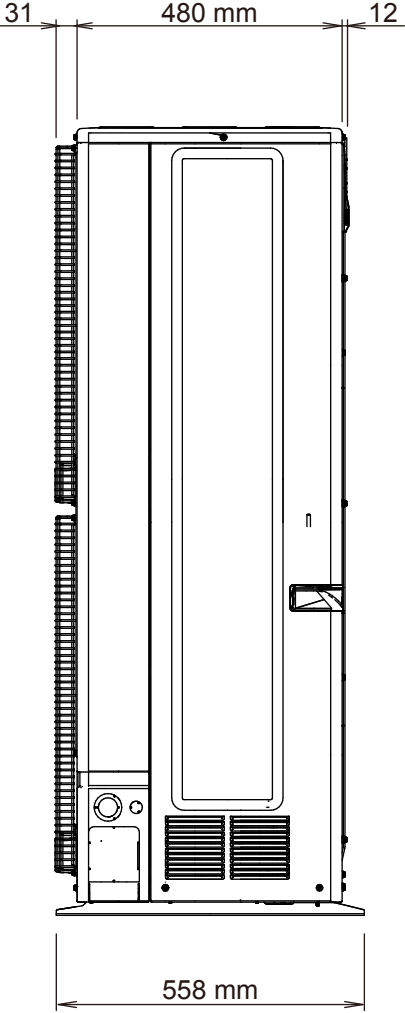
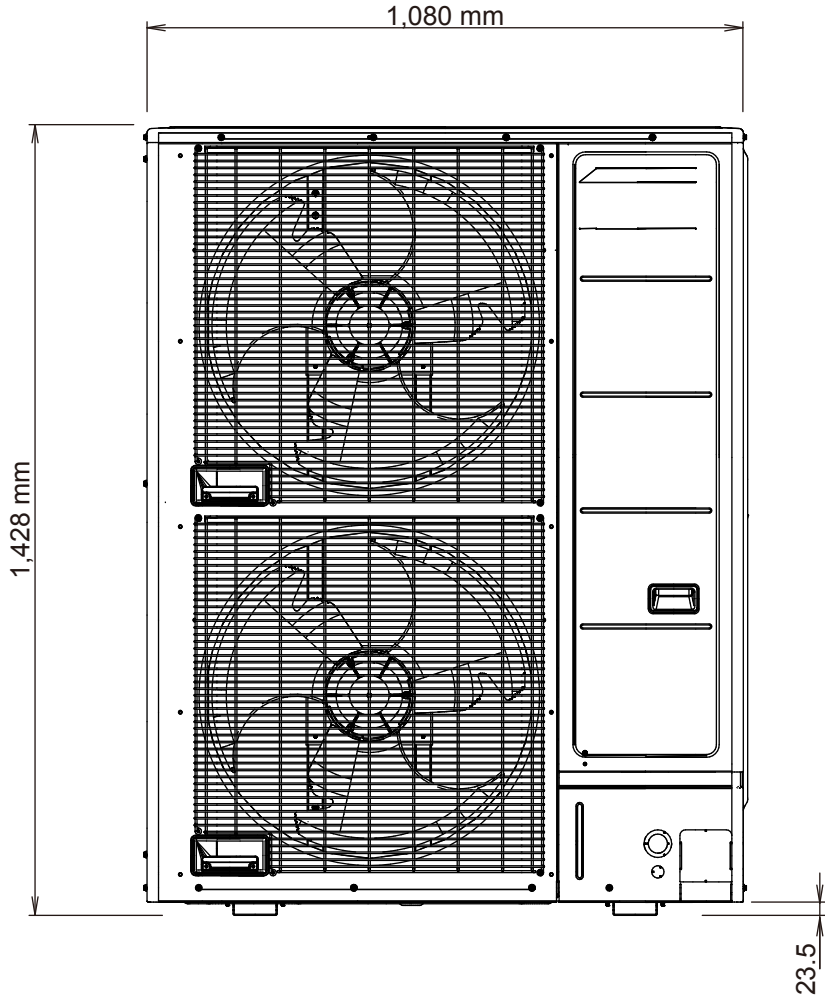
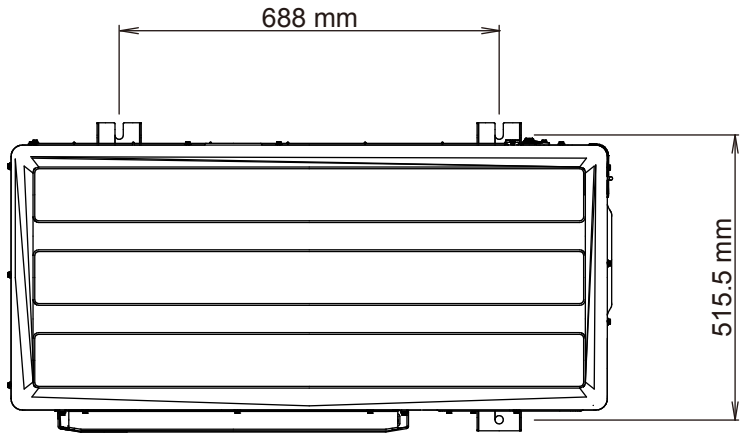
DIMENSIONS	H x W x D	245 x 570 x 570	280 x 840 x 840 mm
WEIGHT	Net / Shipping	16 kg / 19 kg	26 kg / 31 kg

**DECORATION PANL
MEASUREMENT**

MODEL NAME	UTG-UFYD-W	UTG-UGYA-W	
DIMENSIONS	H x W x D	49 x 700 x 700	50 x 950 x 950 mm
WEIGHT	Net / Shipping	2.6 kg / 4.5 kg	5.5 kg / 8.5 kg

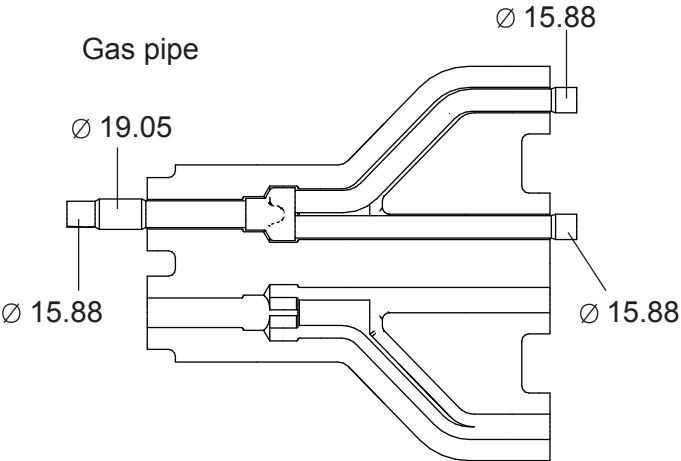
DIMENSIONS

OUTDOOR UNIT
AOYG90LRLA

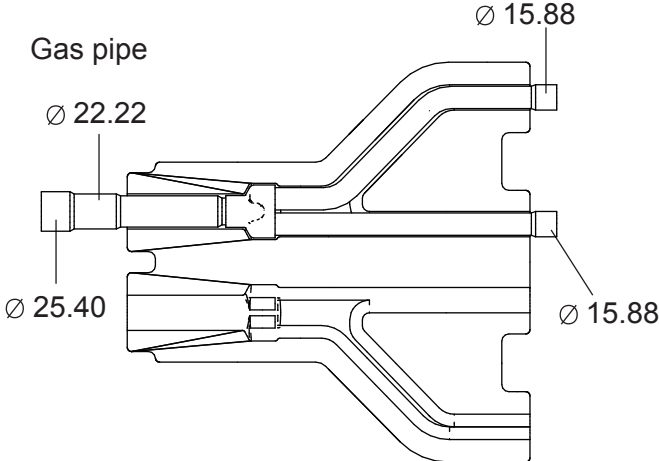


BRANCH PIPE
(unit : mm)

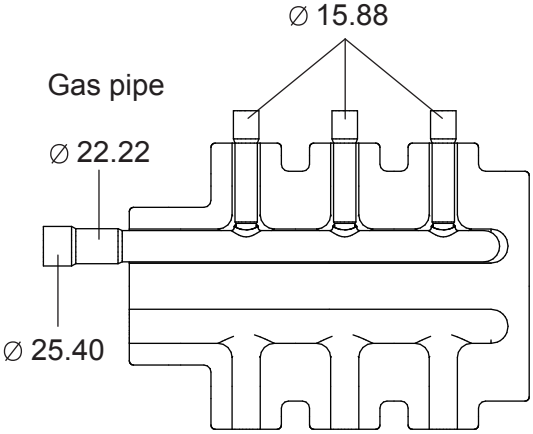
UTP-SX254A



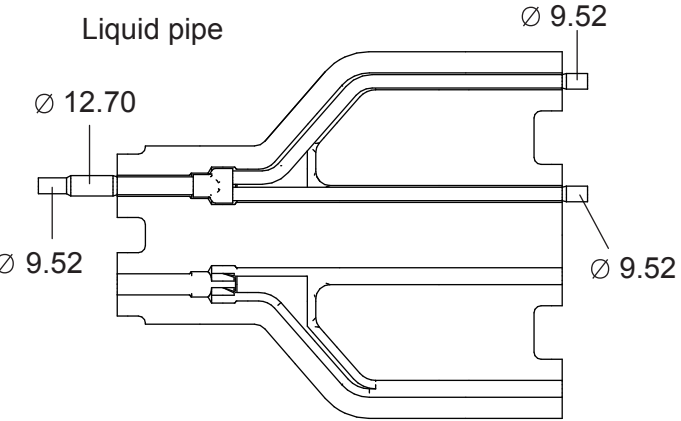
UTP-SX272A



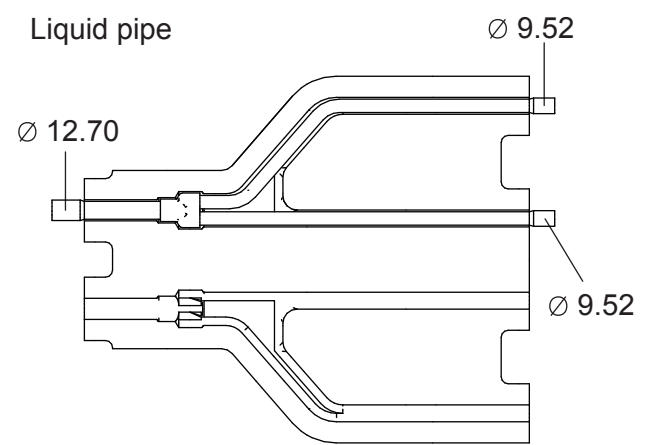
UTP-SX372A



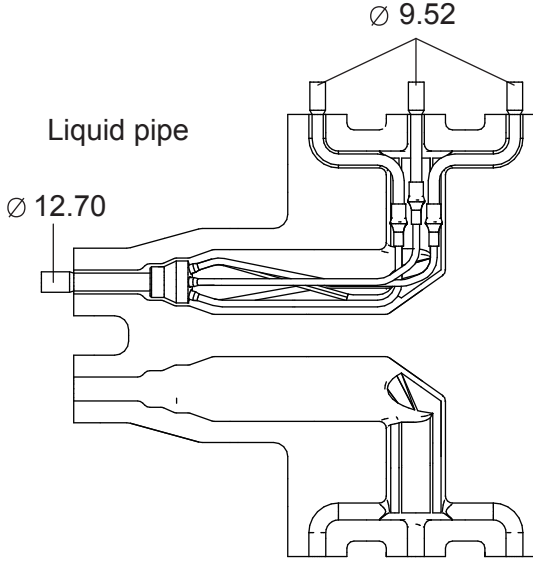
Liquid pipe



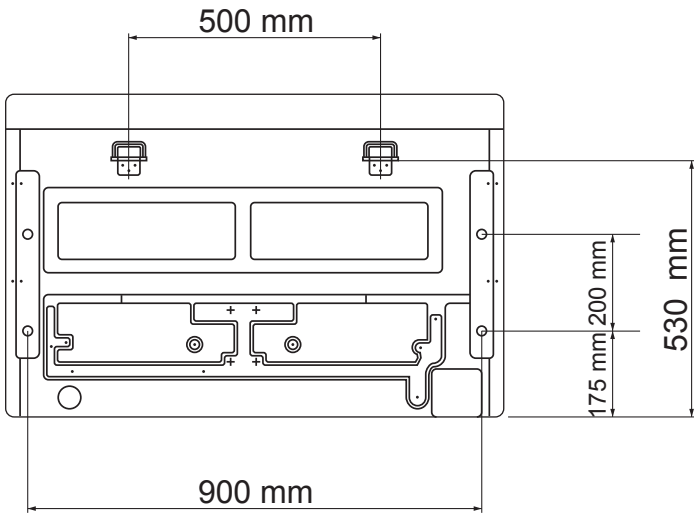
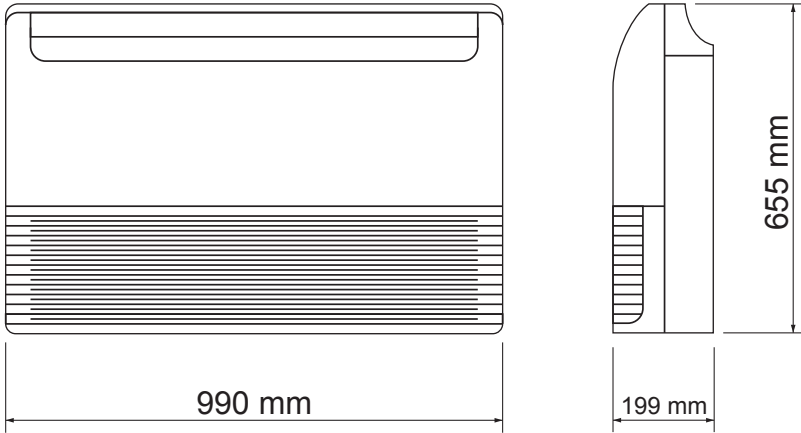
Liquid pipe



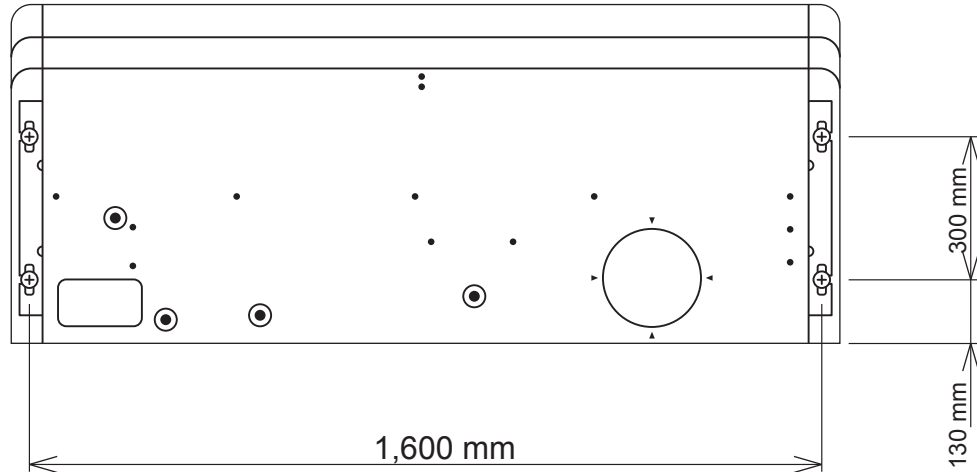
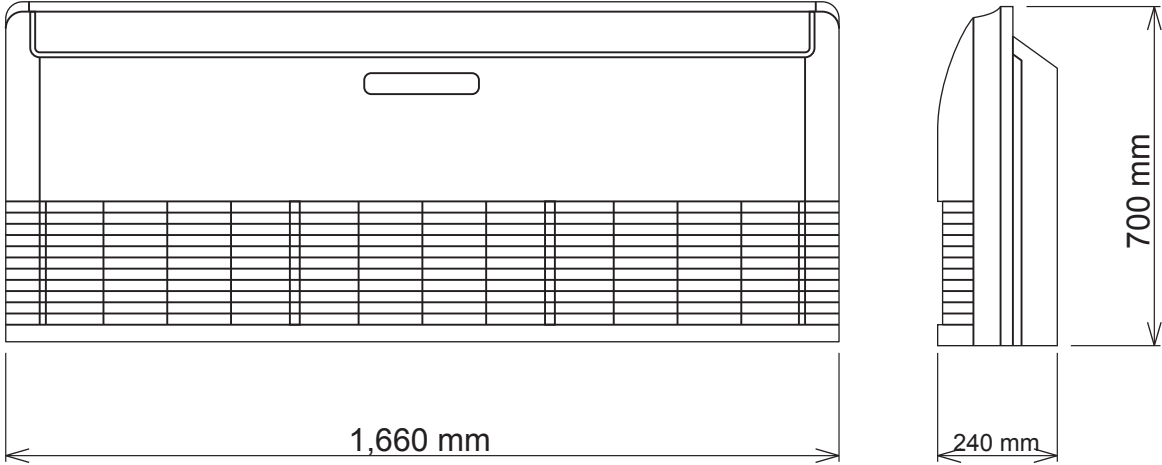
Liquid pipe



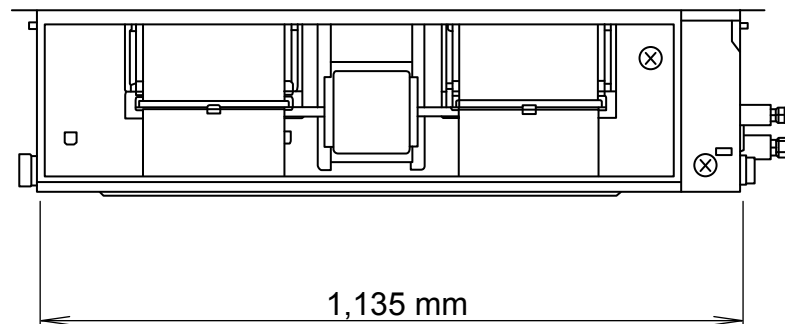
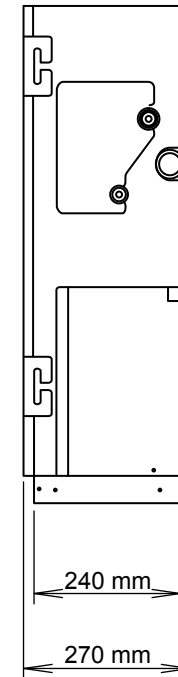
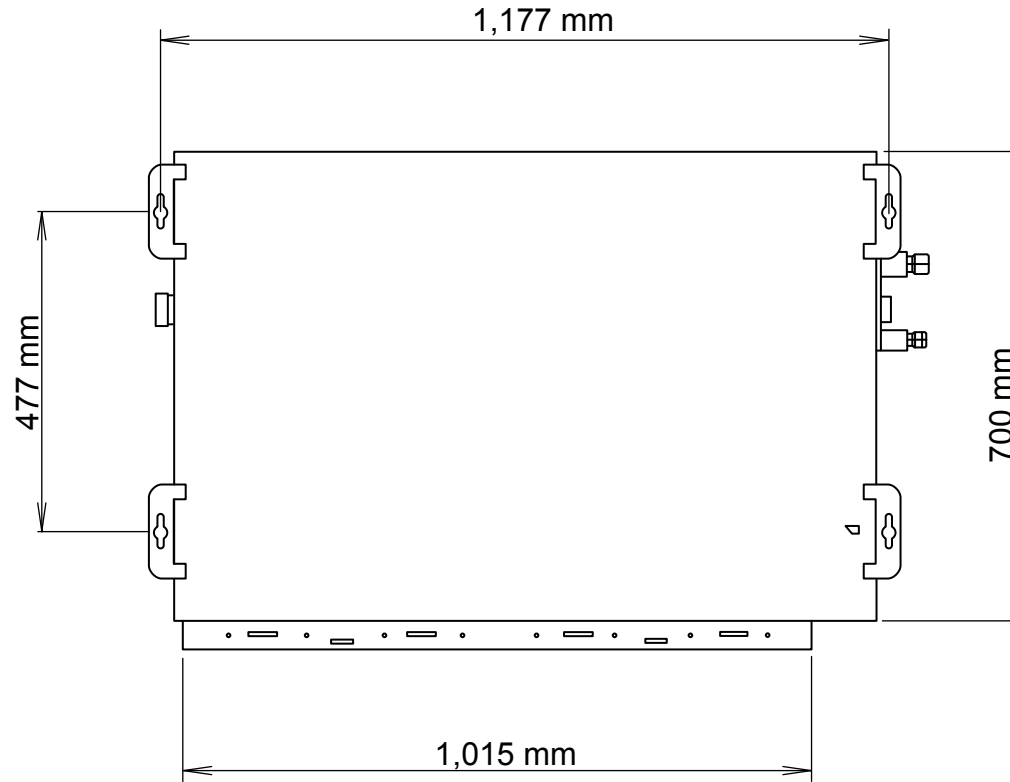
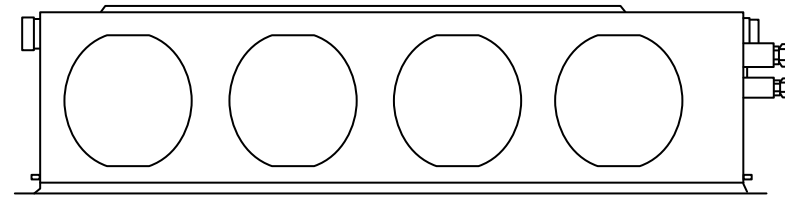
INDOOR UNIT
CEILING
ABYG22LVTA



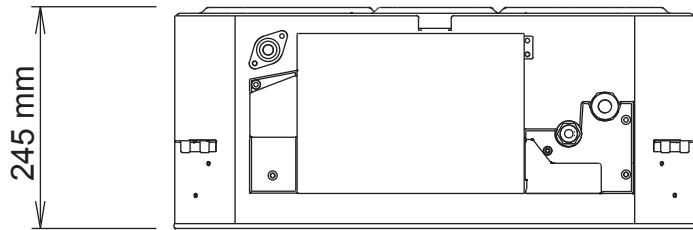
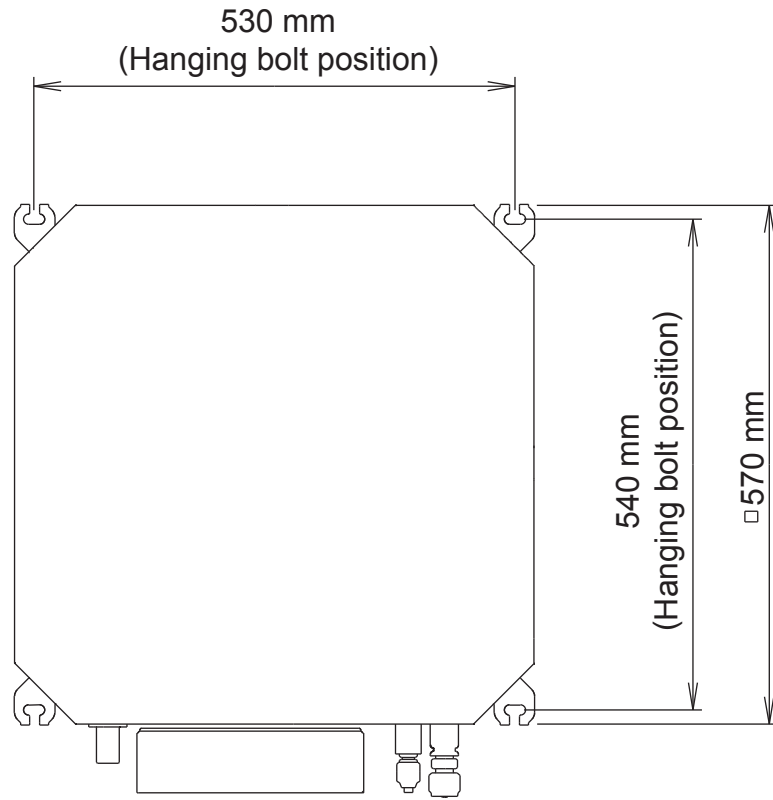
ABYG30LRTE
ABYG45LRTA



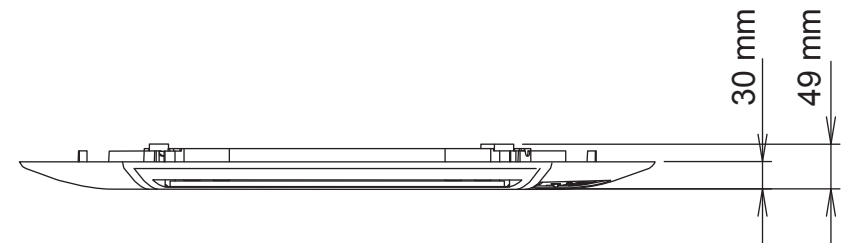
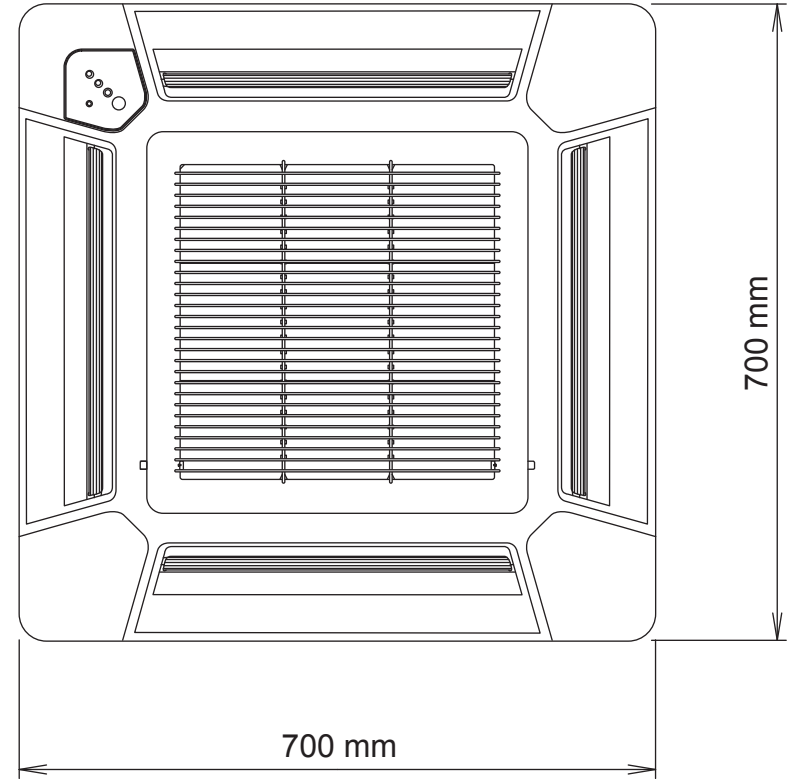
INDOOR UNIT
DUCT
ARYG22LMLA
ARYG30LMLE
ARYG45LMLA



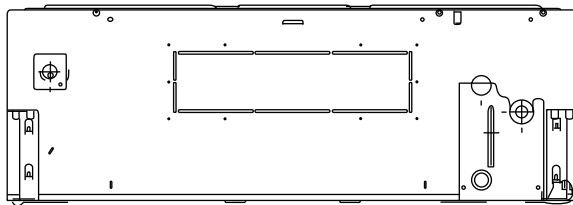
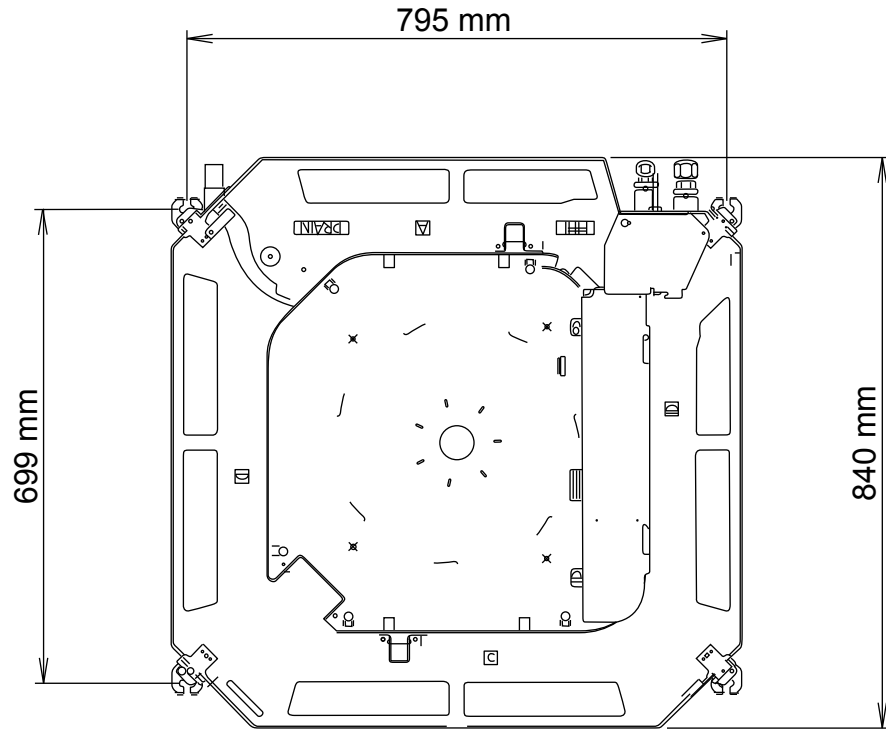
INDOOR UNIT
CASSETTE
AUYG22LVLA



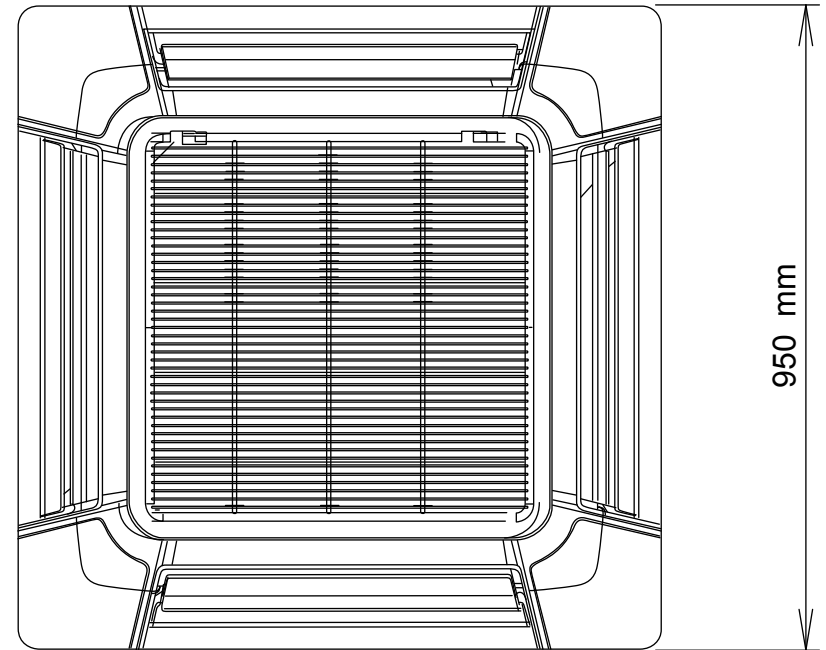
DECORATION PANEL
UTG-UFYD-W



INDOOR UNIT
AUYG30LRLE
AUYG45LRLA



DECORATION PANEL
UTG-UGYA-W



REFRIGERANT SYSTEM DIAGRAM

Twin type

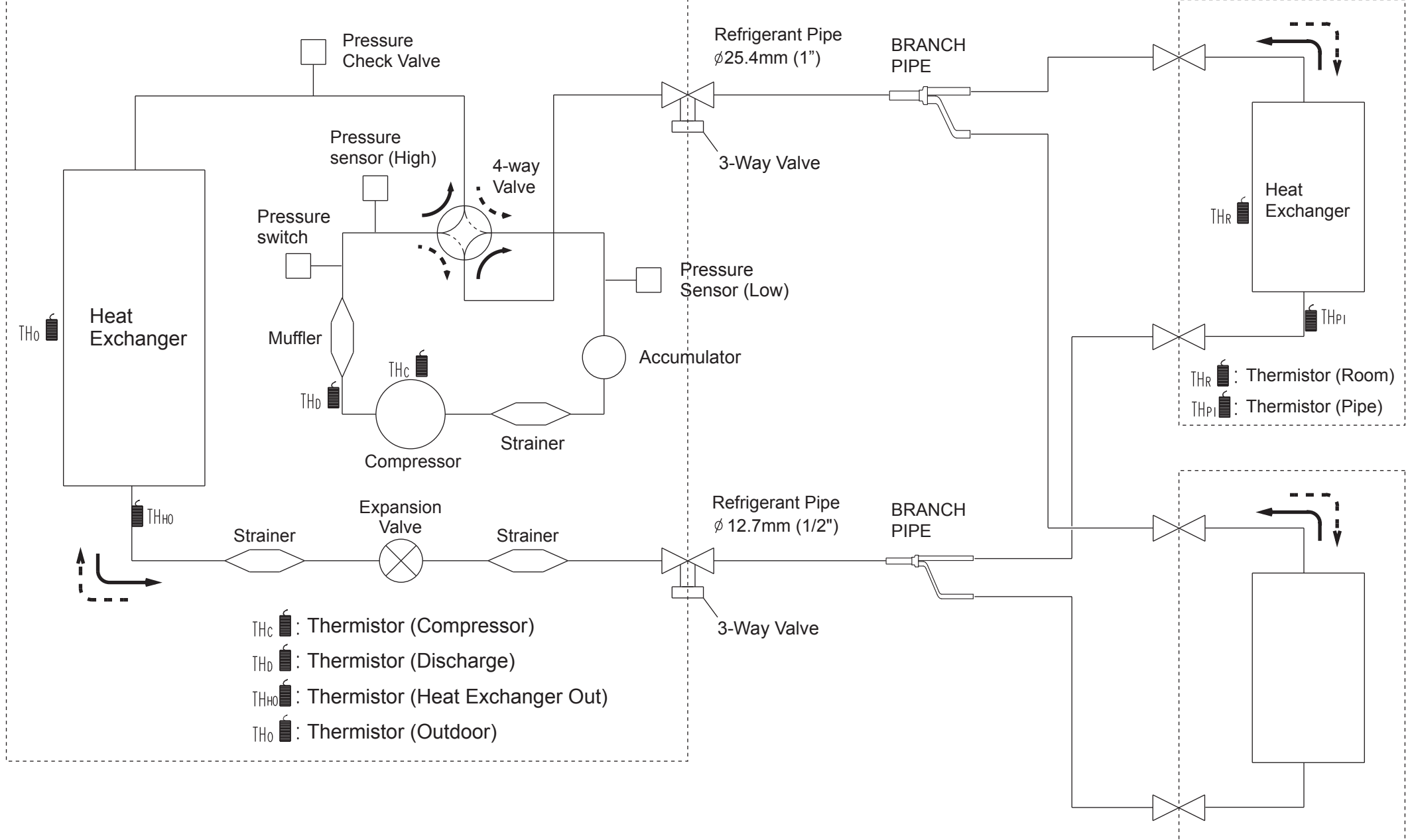
Refrigerant flow

—▶ : Cool

---▶ : Heat

OUTDOOR UNIT

INDOOR UNIT



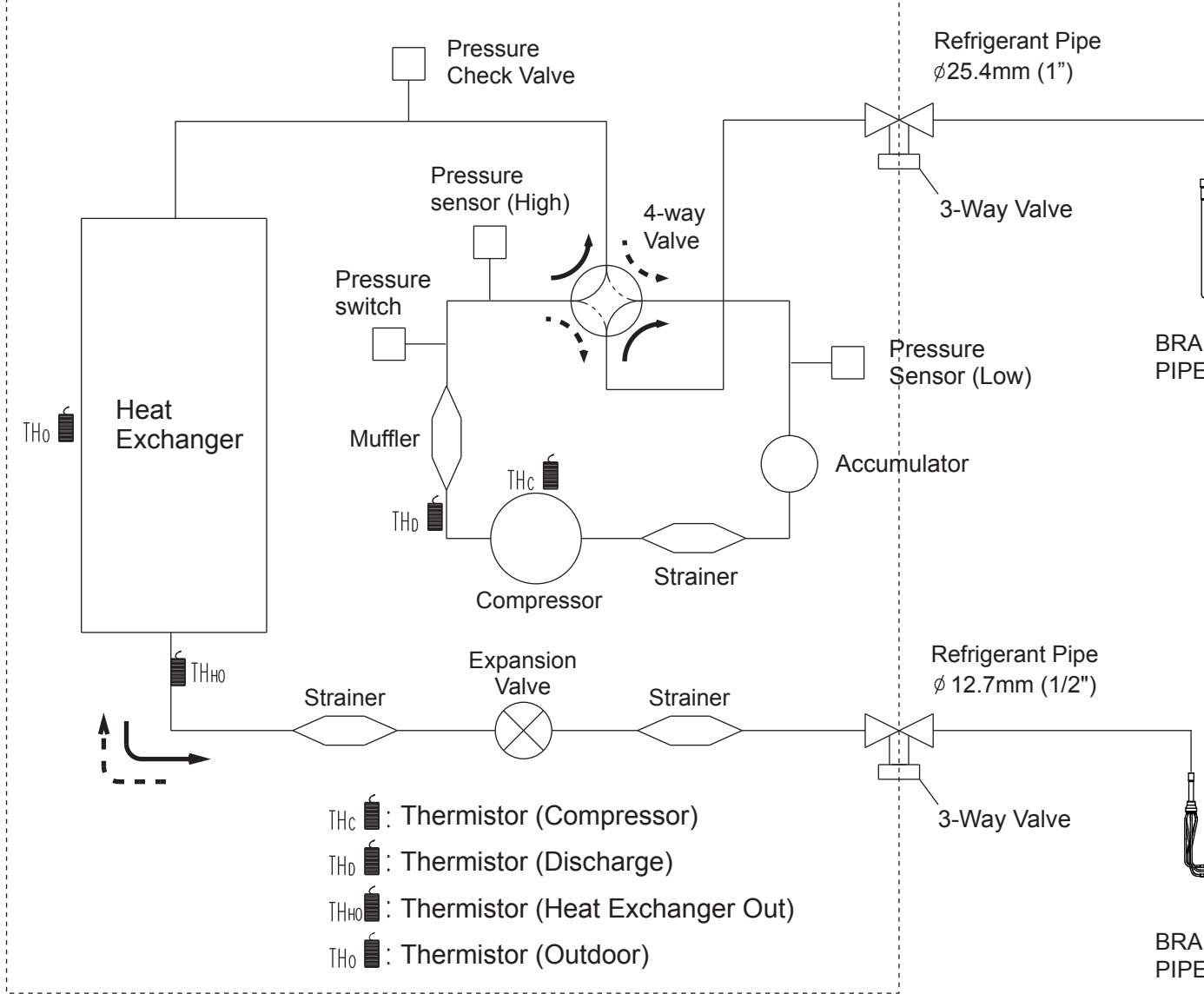
Triple type

Refrigerant flow

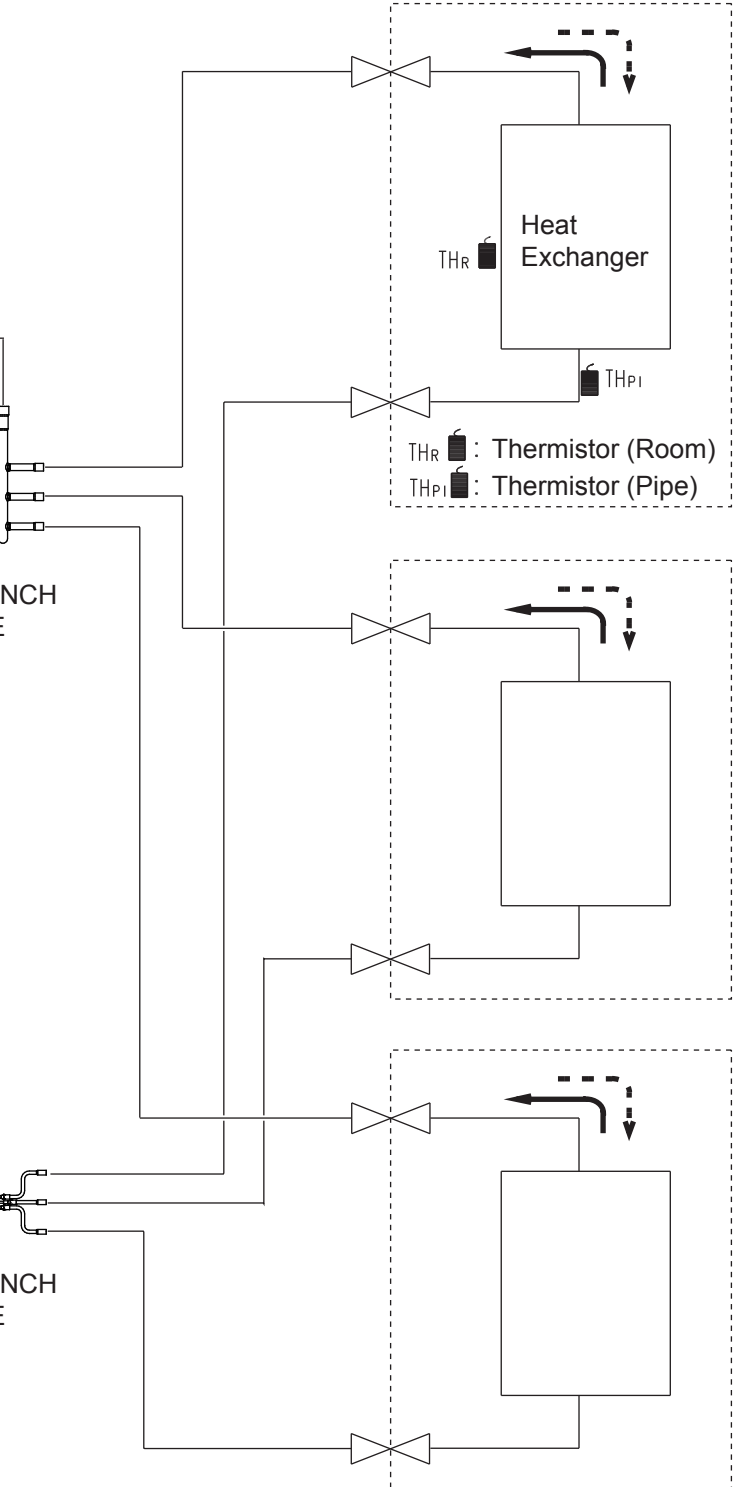
—→ : Cool

- - -→ : Heat

OUTDOOR UNIT

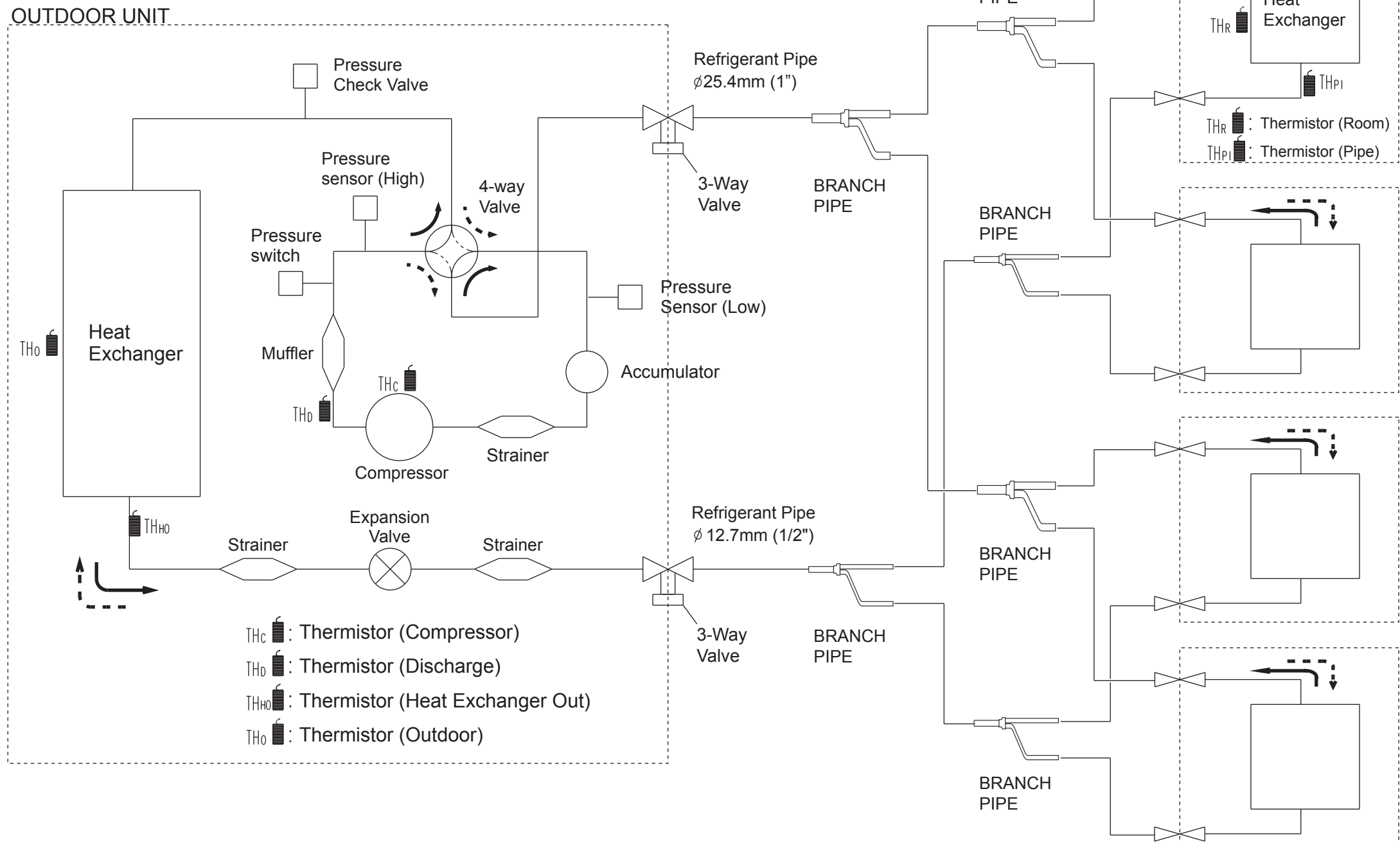


INDOOR UNIT



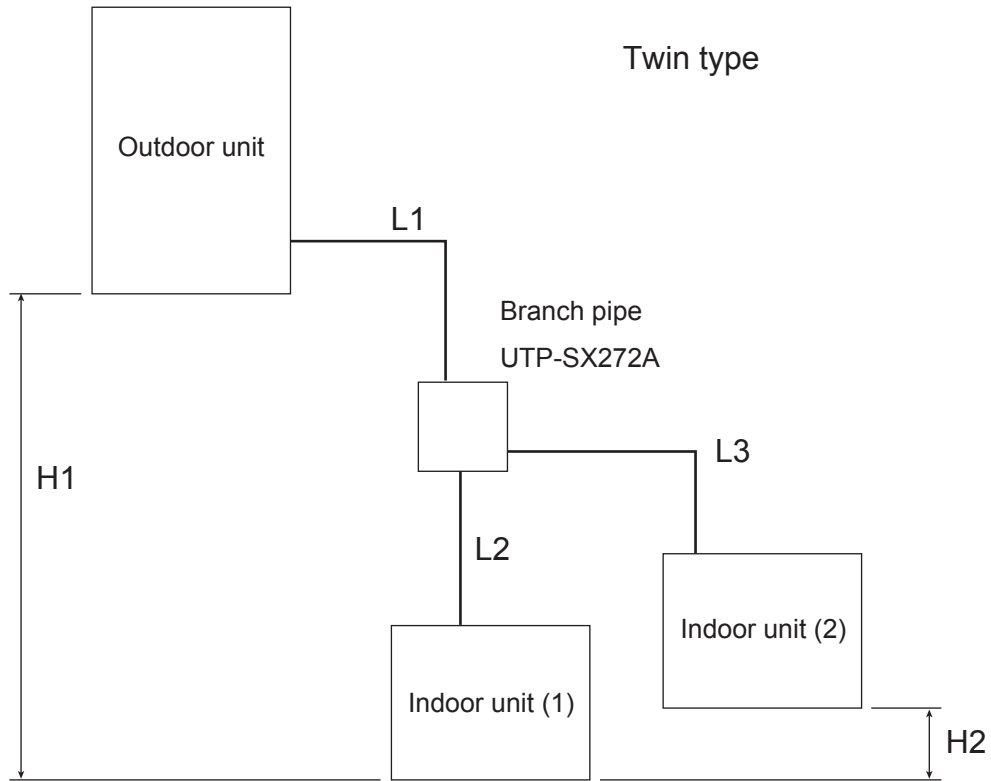
Double twin type

Refrigerant flow
 —▶ : Cool
 ···▶ : Heat



LIMITATION OF PIPE CONNECTION

Twin type



Maximum length of total pipe

$$L1 + L2 + L3 = 100\text{m}$$

Maximum length of branch piping

$$L2 = 20\text{m} \quad L3 = 20\text{m}$$

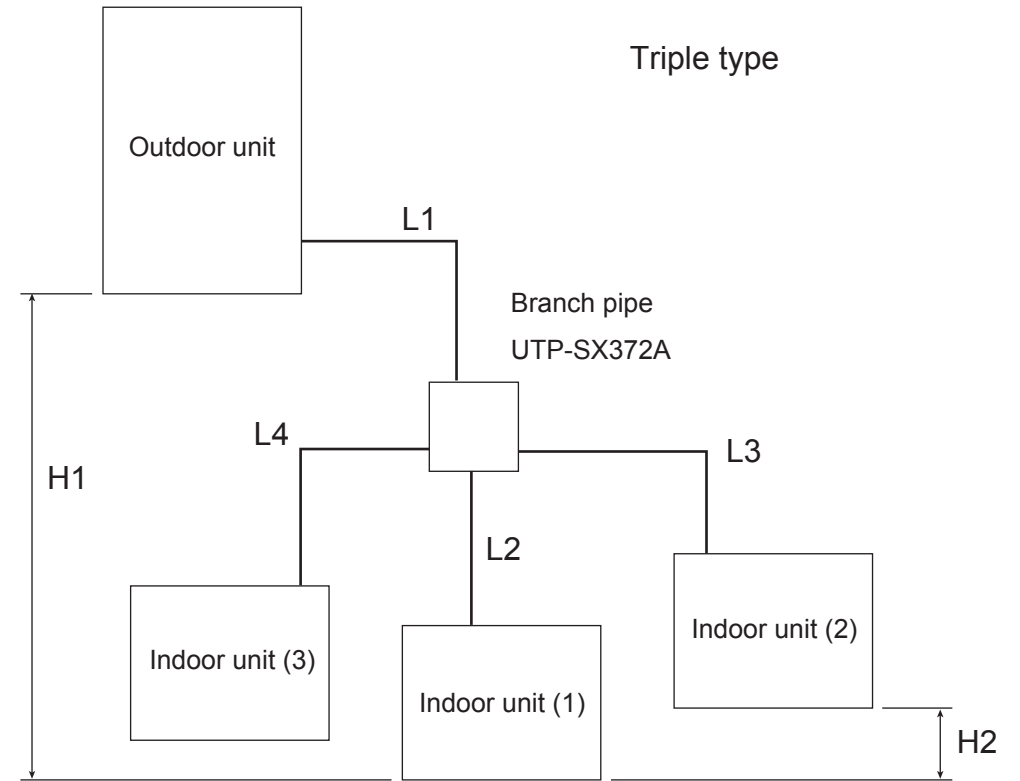
Maximum height between indoor and outdoor units

$$H1 = 30\text{m}$$

Maximum height between indoor units

$$H2 = 0.5\text{m}$$

Triple type



Maximum length of total pipe

$$L1 + L2 + L3 + L4 = 100\text{m}$$

Maximum length of branch piping

$$L2 = 20\text{m} \quad L3 = 20\text{m} \quad L4 = 20\text{m}$$

Maximum height between indoor and outdoor units

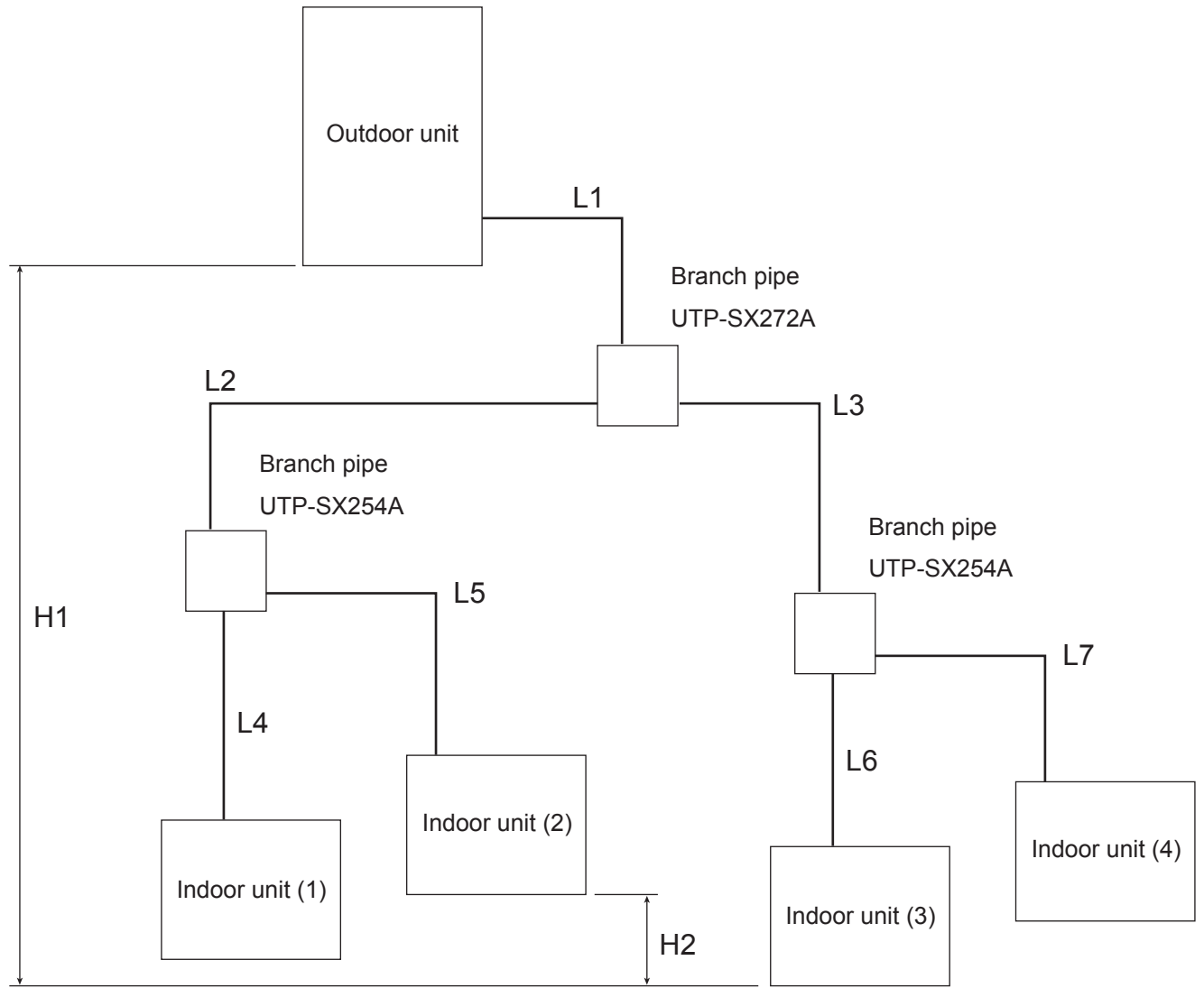
$$H1 = 30\text{m}$$

Maximum height between indoor units

$$H2 = 0.5\text{m}$$

LIMITATION OF PIPE CONNECTION

Double twin type



Maximum length of total pipe
 $L1 + L2 + L3 + L4 + L5 + L6 + L7 = 100m$

Maximum length of branch piping
 $L2 + L4 = 20m$ $L2 + L5 = 20m$
 $L3 + L6 = 20m$ $L3 + L7 = 20m$

Maximum height between indoor and outdoor units
 $H1 = 30m$

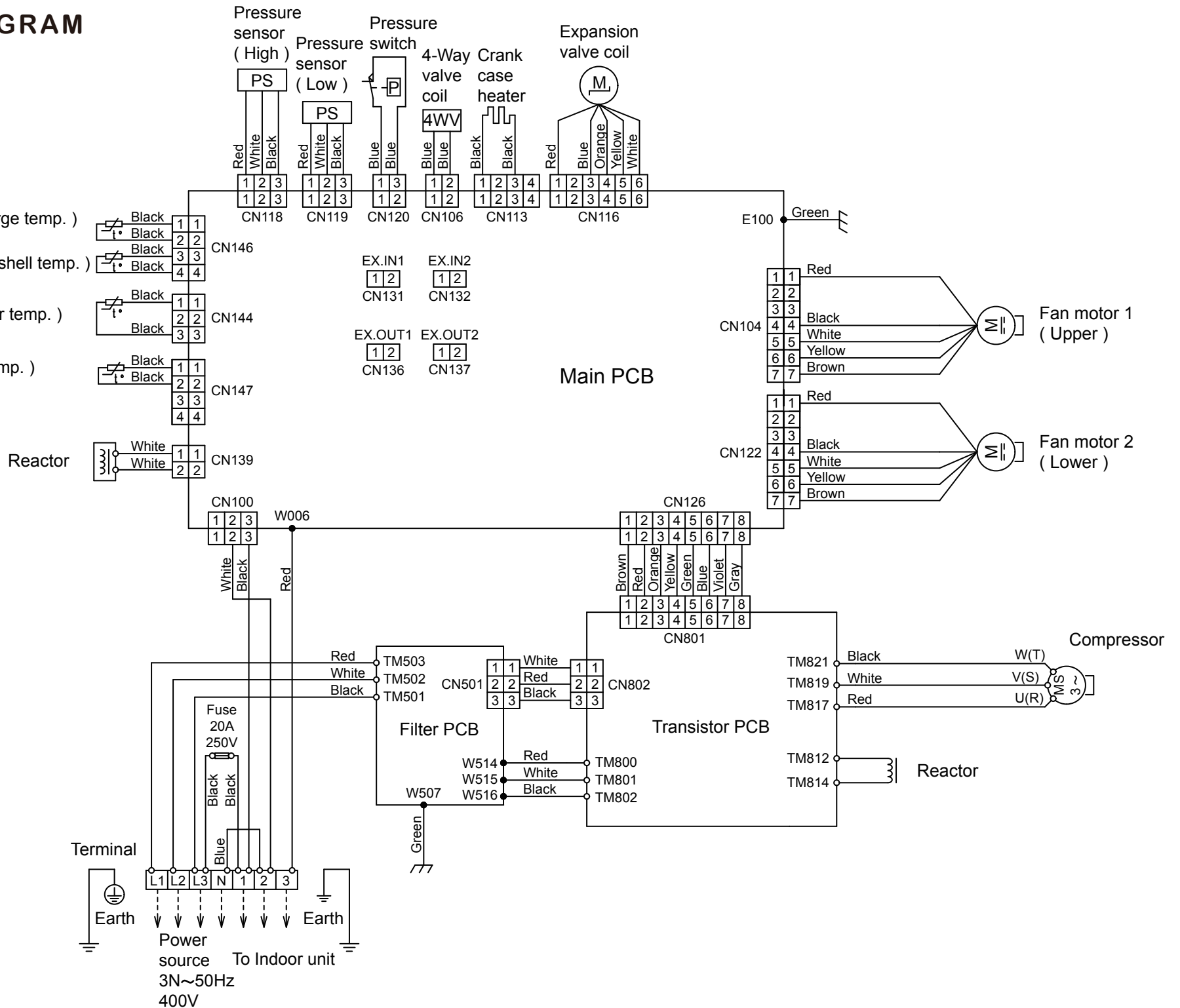
Maximum height between indoor units
 $H2 = 0.5m$

CIRCUIT DIAGRAM

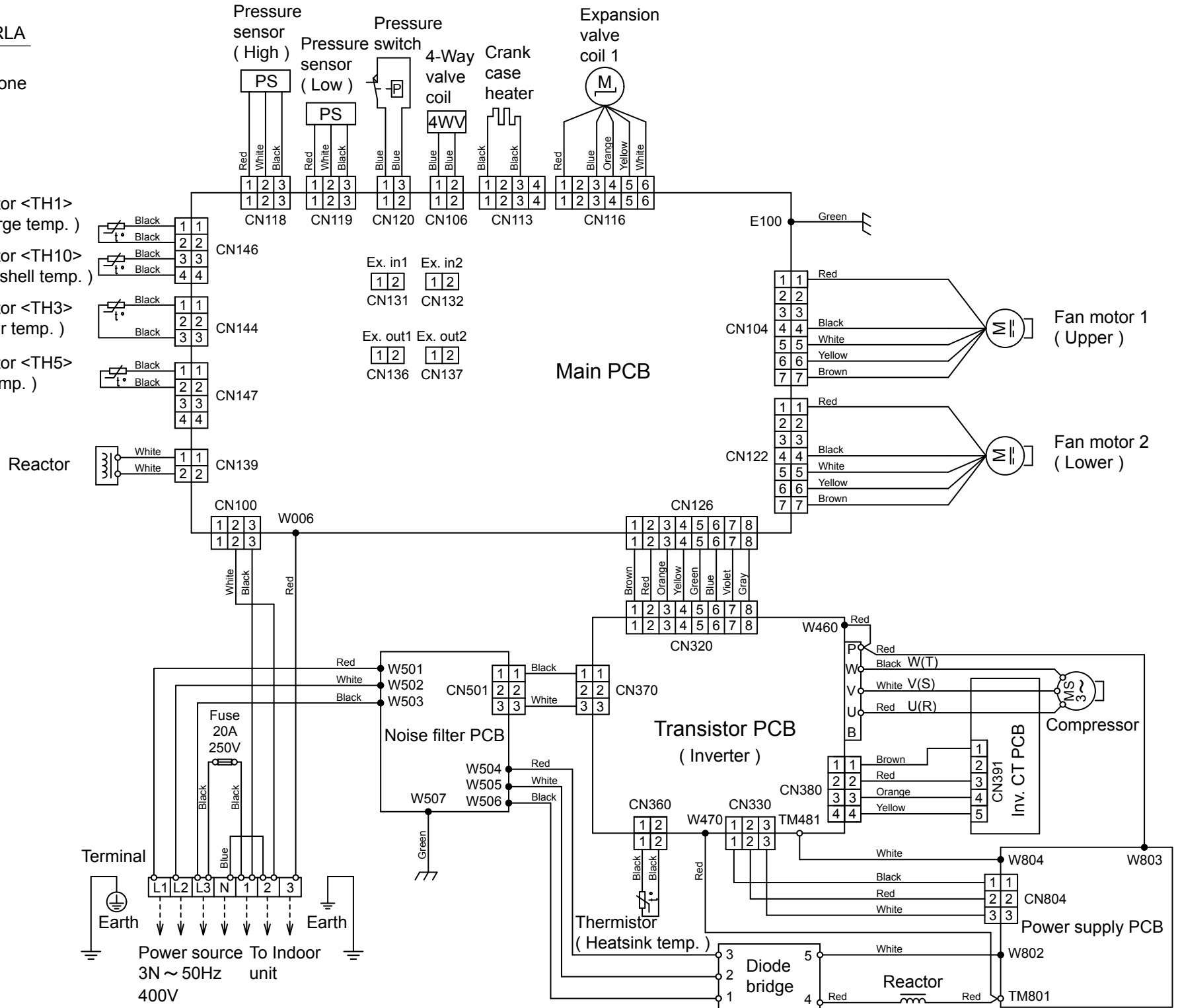
Model : AOYG90LRLA

Revision Code : A

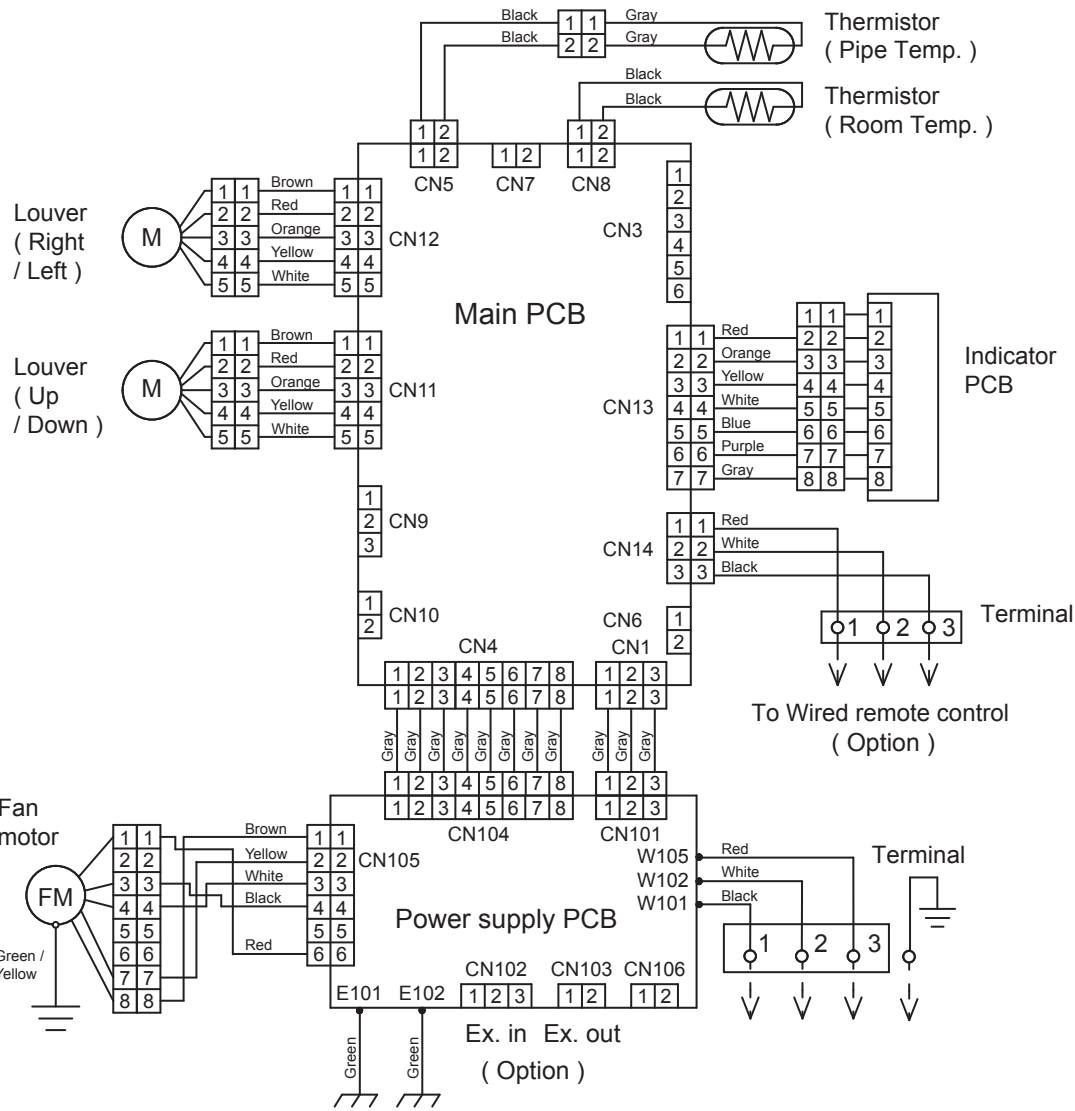
- Thermistor (Discharge temp.) <TH1>
- Thermistor (Comp. shell temp.) <TH10>
- Thermistor (Outdoor temp.) <TH3>
- Thermistor (Pipe temp.) <TH5>



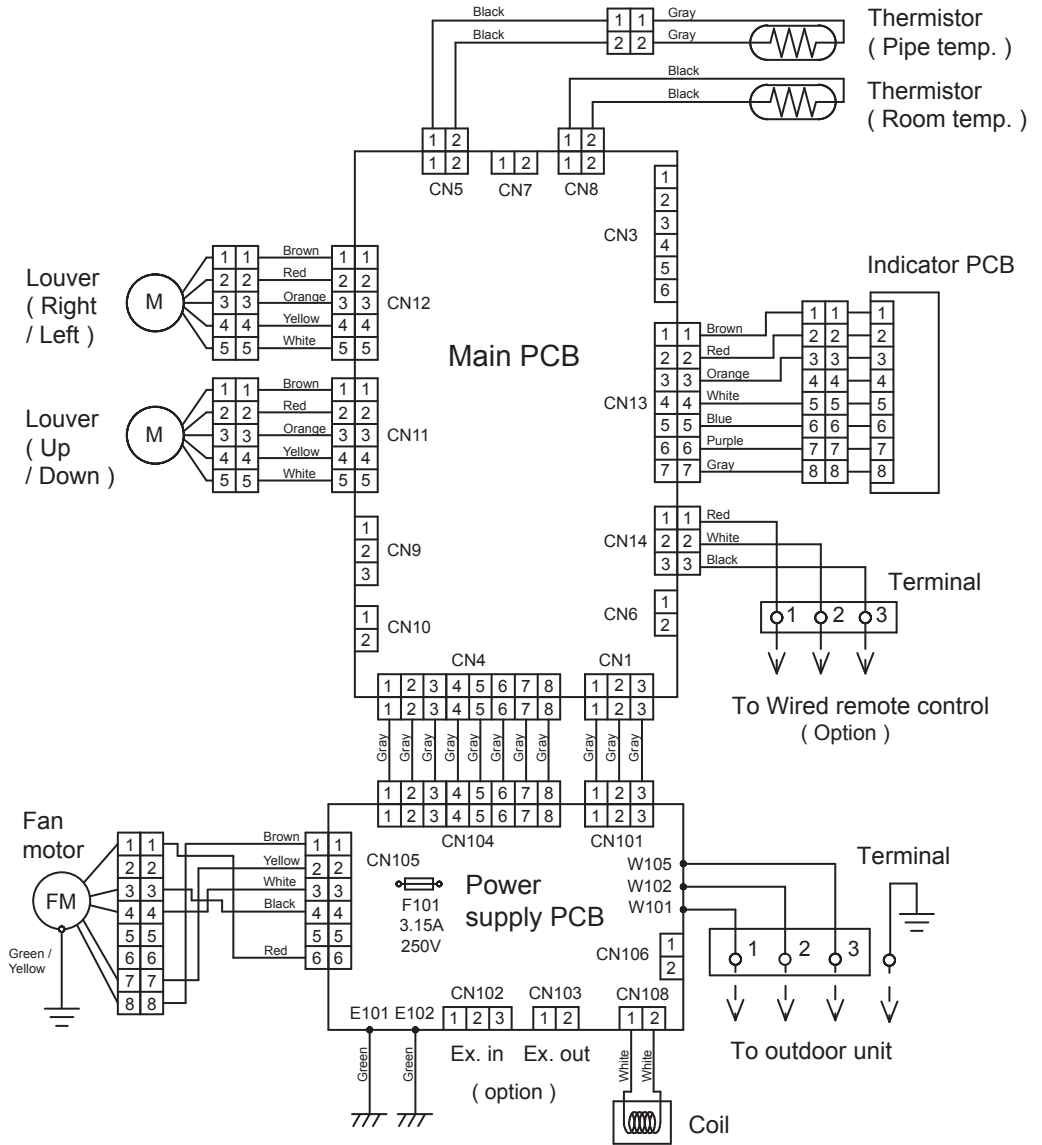
- Thermistor <TH1>
(Discharge temp.)
- Thermistor <TH10>
(Comp. shell temp.)
- Thermistor <TH3>
(Outdoor temp.)
- Thermistor <TH5>
(Pipe temp.)



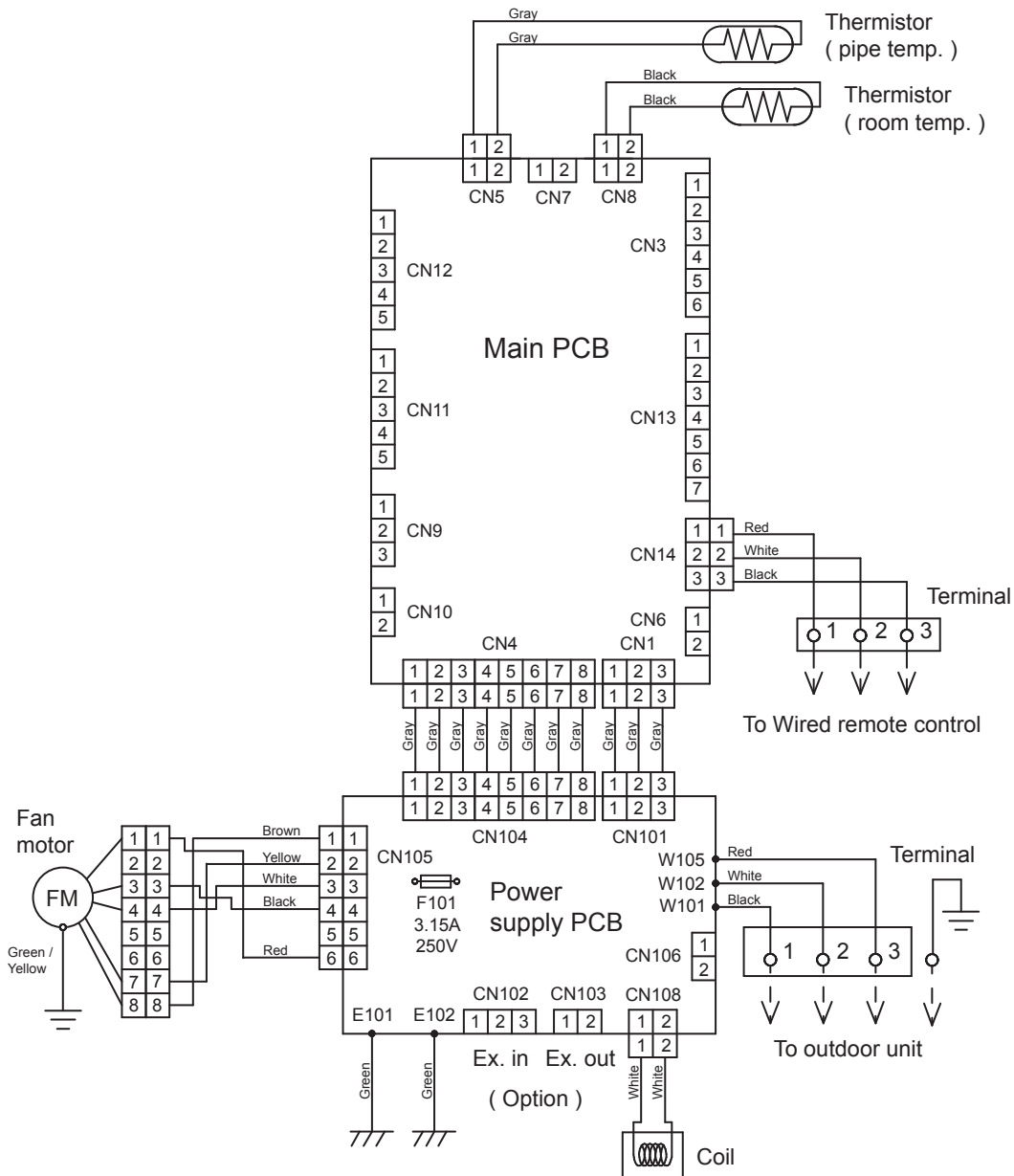
Model : ABYG22LVTA



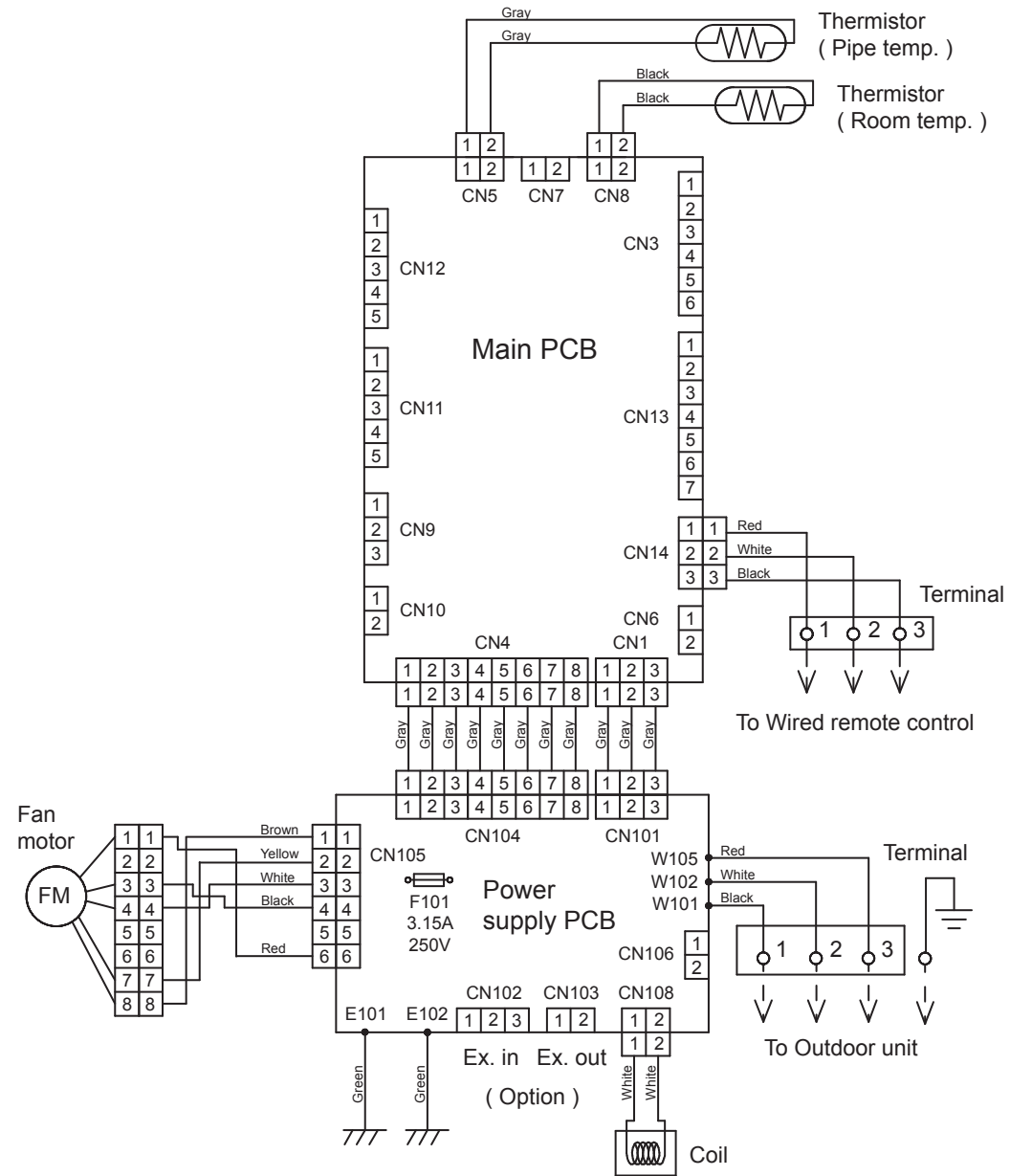
Models : ABYG30LRTE
ABYG45LRTA



Model : ARYG22LMLA

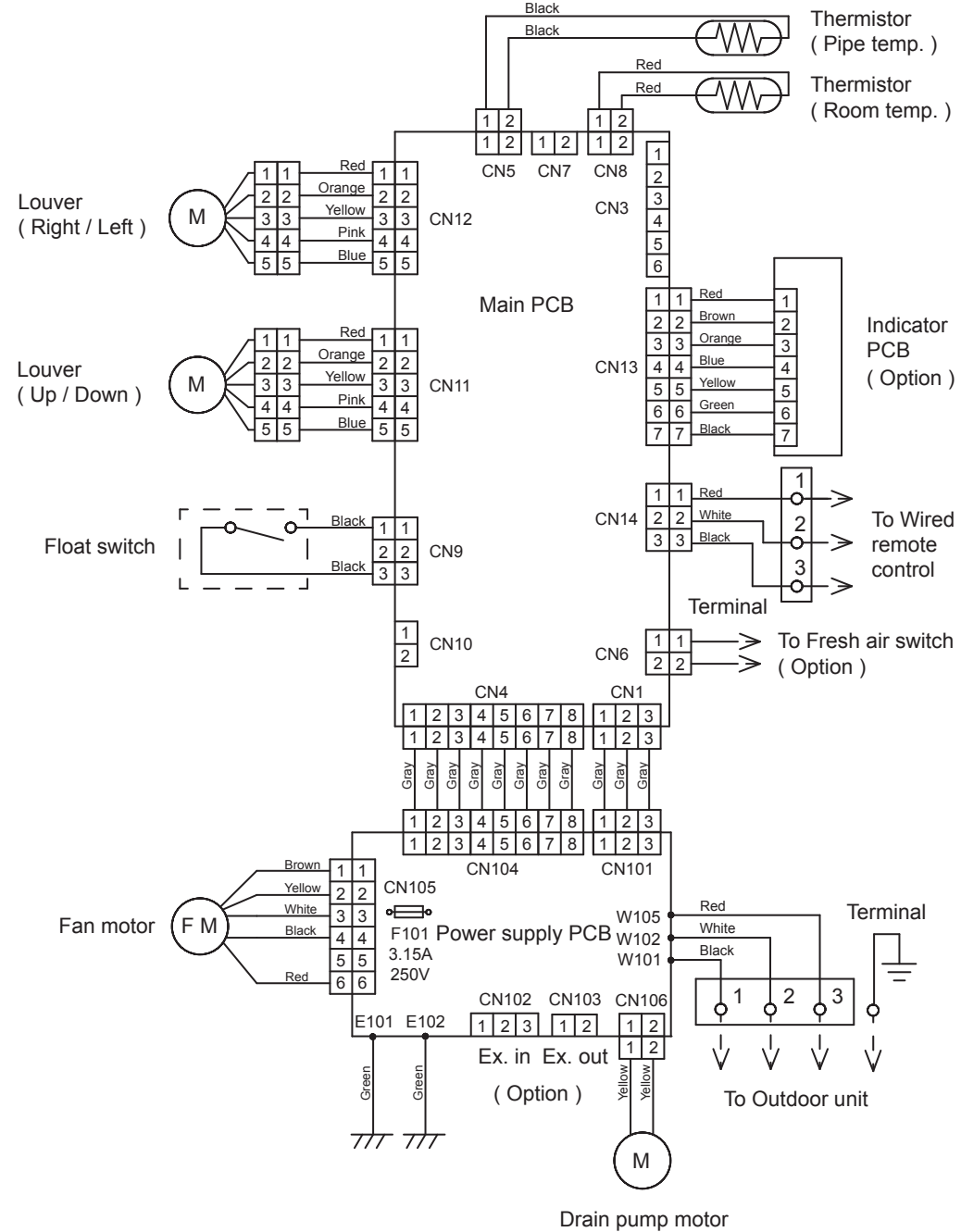
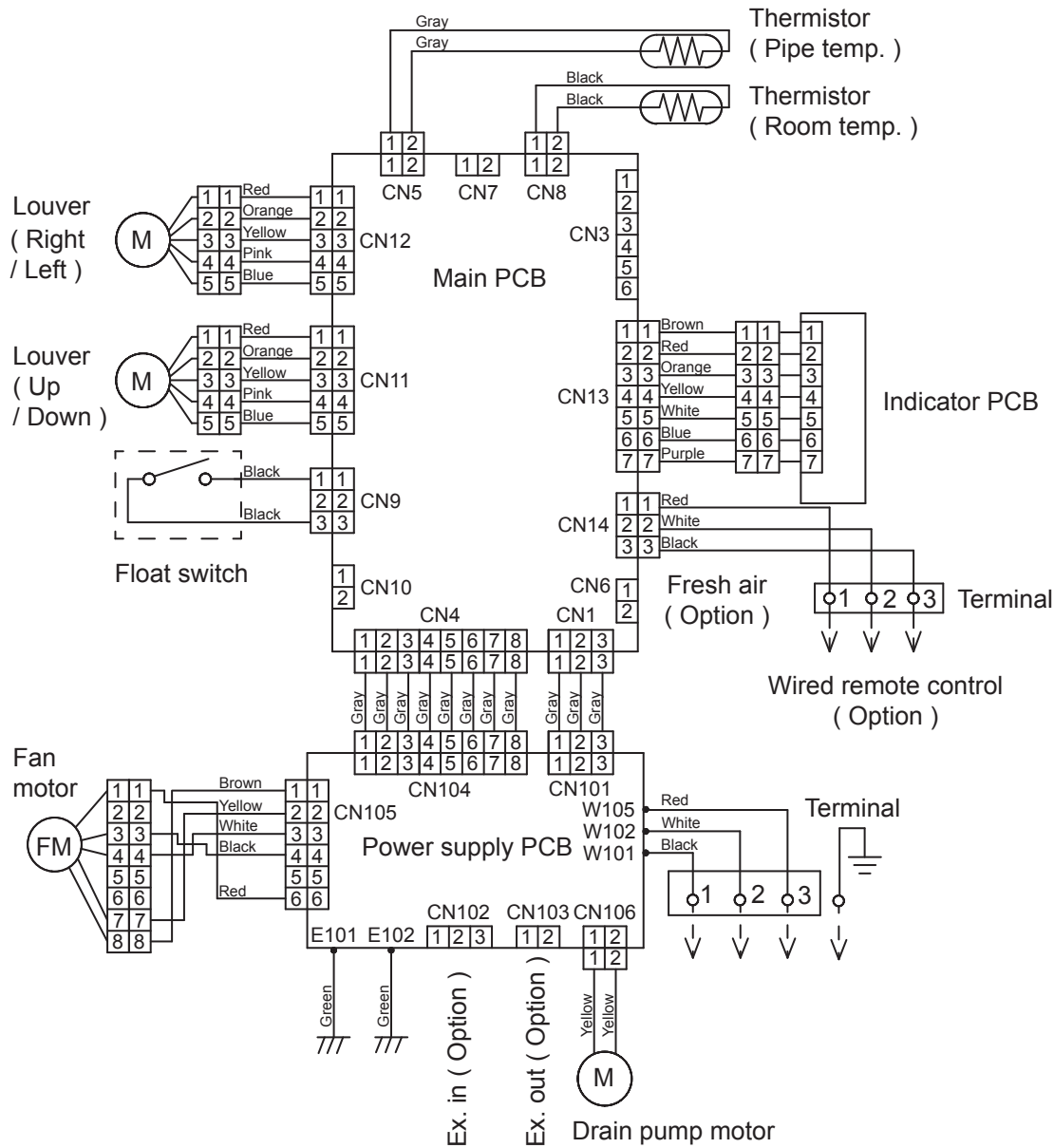


Models : ARYG30LMLE
ARYG45LMLA



Models : AUYG22LVLA
UTG-UFYD-W

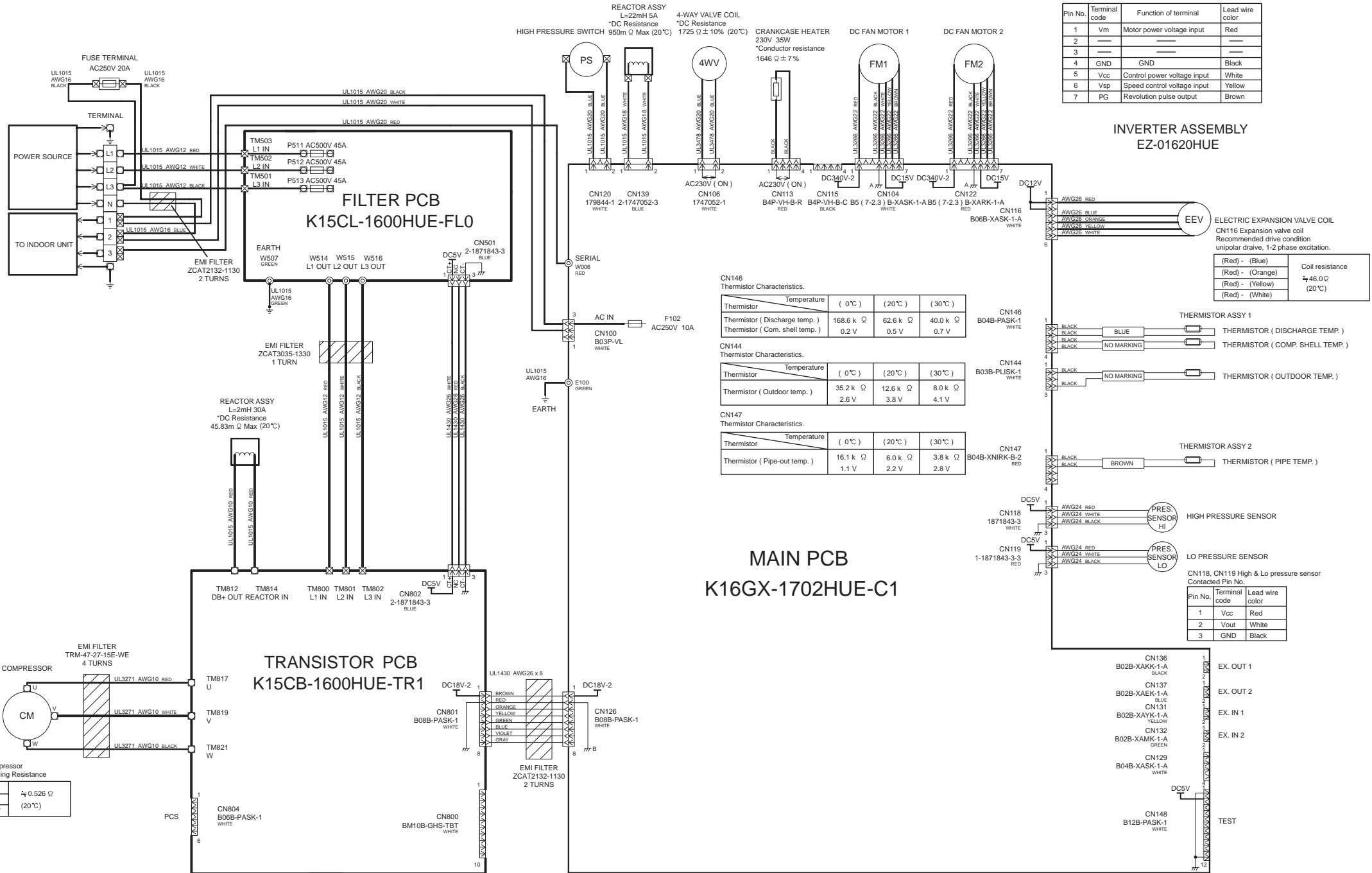
Models : AUYG30LRLE
AUYG45LRLA
UTG-UGYA-W (Option)



PCB CIRCUIT DIAGRAM

INVERTER ASSEMBLY EZ-0172HUE

Revision Code : A



INVERTER ASSEMBLY
EZ-01620HUE

REACTOR ASSY
L=22mH 5A
*DC Resistance
HIGH PRESSURE SWITCH 950m Ω Max (20°C)

4-WAY VALVE COIL
*DC Resistance
1725 Ω ± 10% (20°C)

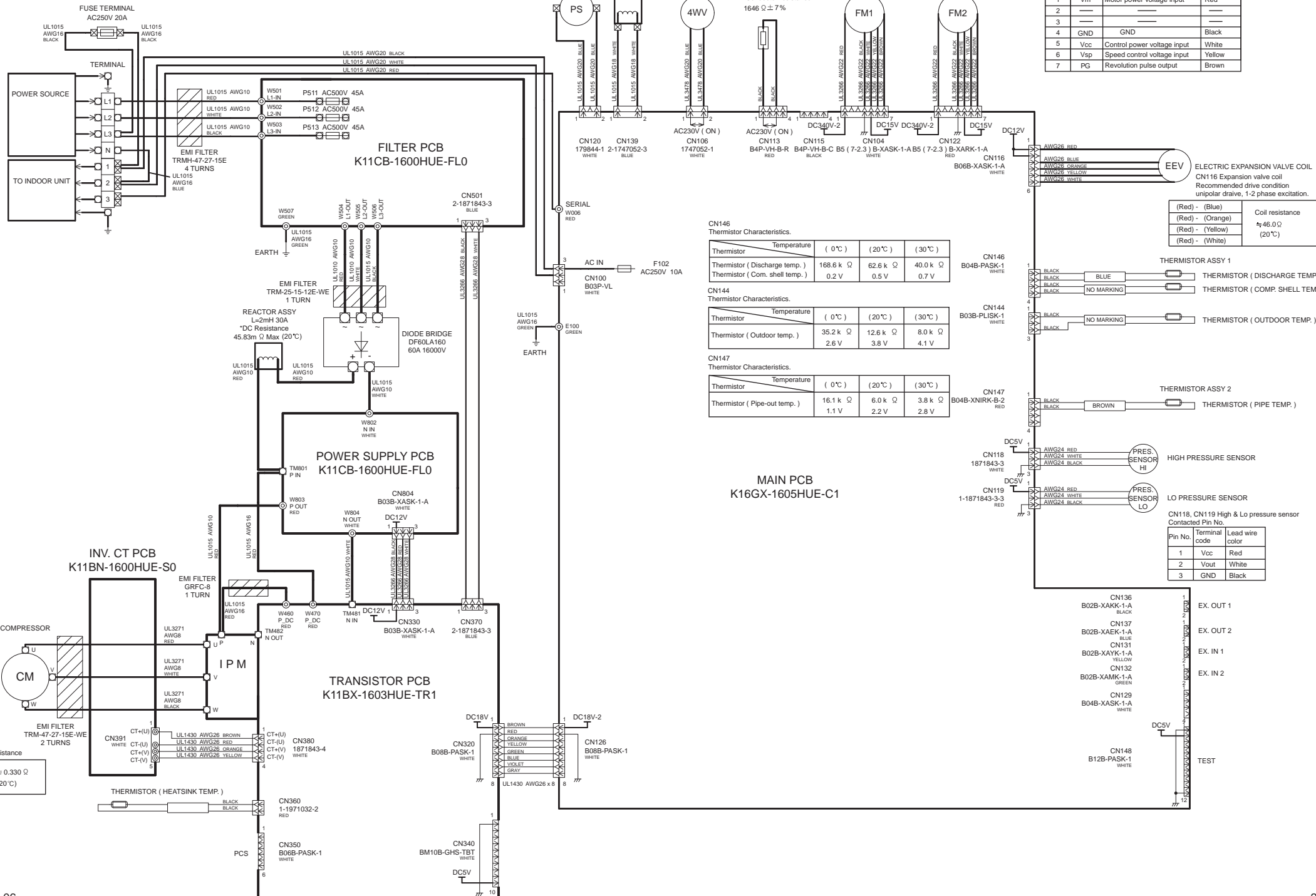
CRANKCASE HEATER
230V 35W
*Conductor resistance
1646 Ω ± 7%

DC FAN MOTOR 1

DC FAN MOTOR 2

CN104, 122 DC Fan motor1 & 2

Pin No.	Terminal code	Function of terminal	Lead wire color
1	Vm	Motor power voltage input	Red
2			
3			
4	GND	GND	Black
5	Vcc	Control power voltage input	White
6	Vsp	Speed control voltage input	Yellow
7	PG	Revolution pulse output	Brown



CN146 Thermistor Characteristics.

Thermistor	Temperature (0°C)	(20°C)	(30°C)
Thermistor (Discharge temp.)	168.6 k Ω	62.6 k Ω	40.0 k Ω
Thermistor (Com. shell temp.)	0.2 V	0.5 V	0.7 V

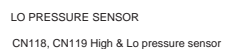
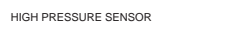
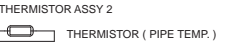
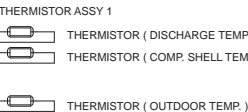
CN144 Thermistor Characteristics.

Thermistor	Temperature (0°C)	(20°C)	(30°C)
Thermistor (Outdoor temp.)	35.2 k Ω	12.6 k Ω	8.0 k Ω
	2.6 V	3.8 V	4.1 V

CN147 Thermistor Characteristics.

Thermistor	Temperature (0°C)	(20°C)	(30°C)
Thermistor (Pipe-out temp.)	16.1 k Ω	6.0 k Ω	3.8 k Ω
	1.1 V	2.2 V	2.8 V

(Red) - (Blue) Coil resistance
(Red) - (Orange) ± 46.0 Ω
(Red) - (Yellow) (20°C)
(Red) - (White)



CN118, CN119 High & Lo pressure sensor Contacted Pin No.

Pin No.	Terminal code	Lead wire color
1	Vcc	Red
2	Vout	White
3	GND	Black

Compressor Winding Resistance

U-V	≈ 0.330 Ω
V-W	
U-W	(20°C)

Model : ABYG22LVTA

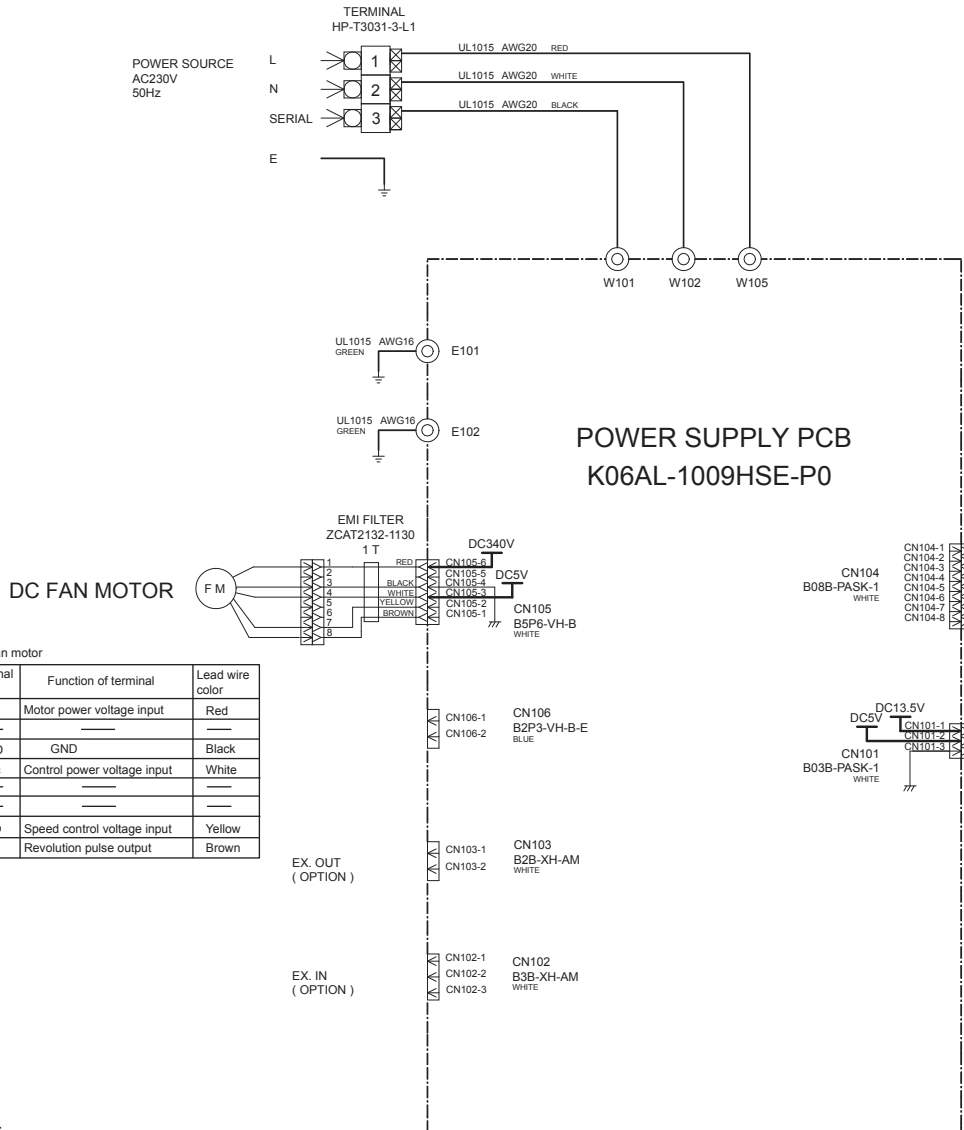
CONTROL UNIT EZ-0122YHSE

CN8
Thermistor Characteristics.

Thermistor	Temperature (0°C)	Temperature (20°C)	Temperature (30°C)
Thermistor (Room temp.)	33.6 k Ω 1.1 V	12.5 k Ω 2.2 V	8.0 k Ω 2.8 V

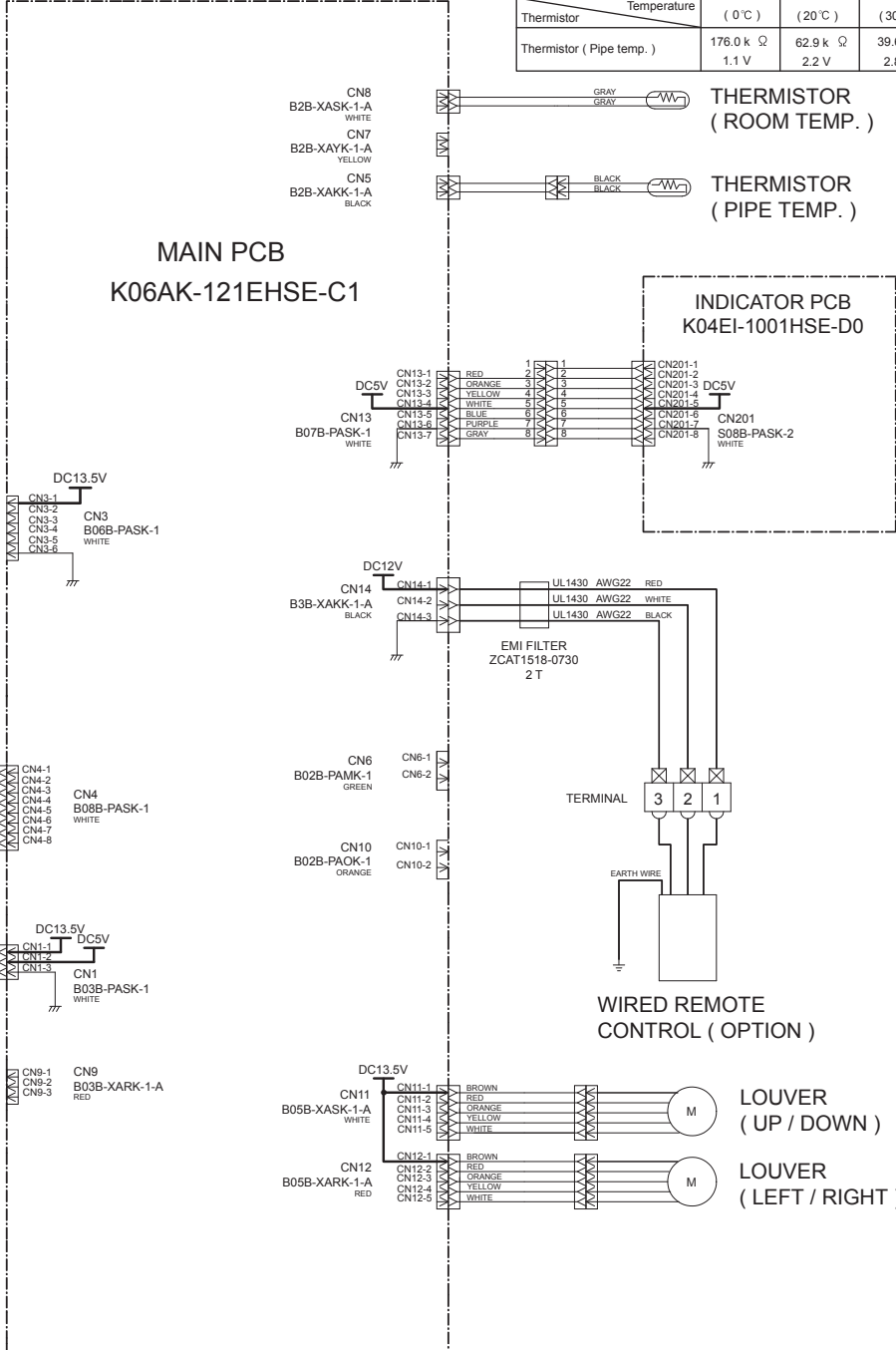
CN5
Thermistor Characteristics.

Thermistor	Temperature (0°C)	Temperature (20°C)	Temperature (30°C)
Thermistor (Pipe temp.)	176.0 k Ω 1.1 V	62.9 k Ω 2.2 V	39.6 k Ω 2.8 V



CN105 DC Fan motor

Pin No.	Terminal code	Function of terminal	Lead wire color
1	Vm	Motor power voltage input	Red
2	—	—	—
3	GND	GND	Black
4	Vcc	Control power voltage input	White
5	—	—	—
6	—	—	—
7	Vsp	Speed control voltage input	Yellow
8	FG	Revolution pulse output	Brown



THERMISTOR
(ROOM TEMP.)

THERMISTOR
(PIPE TEMP.)

INDICATOR PCB
K04EI-1001HSE-D0

WIRED REMOTE
CONTROL (OPTION)

LOUVER
(UP / DOWN)

LOUVER
(LEFT / RIGHT)

Models : ABYG30LRTE
 ABYG45LRTA

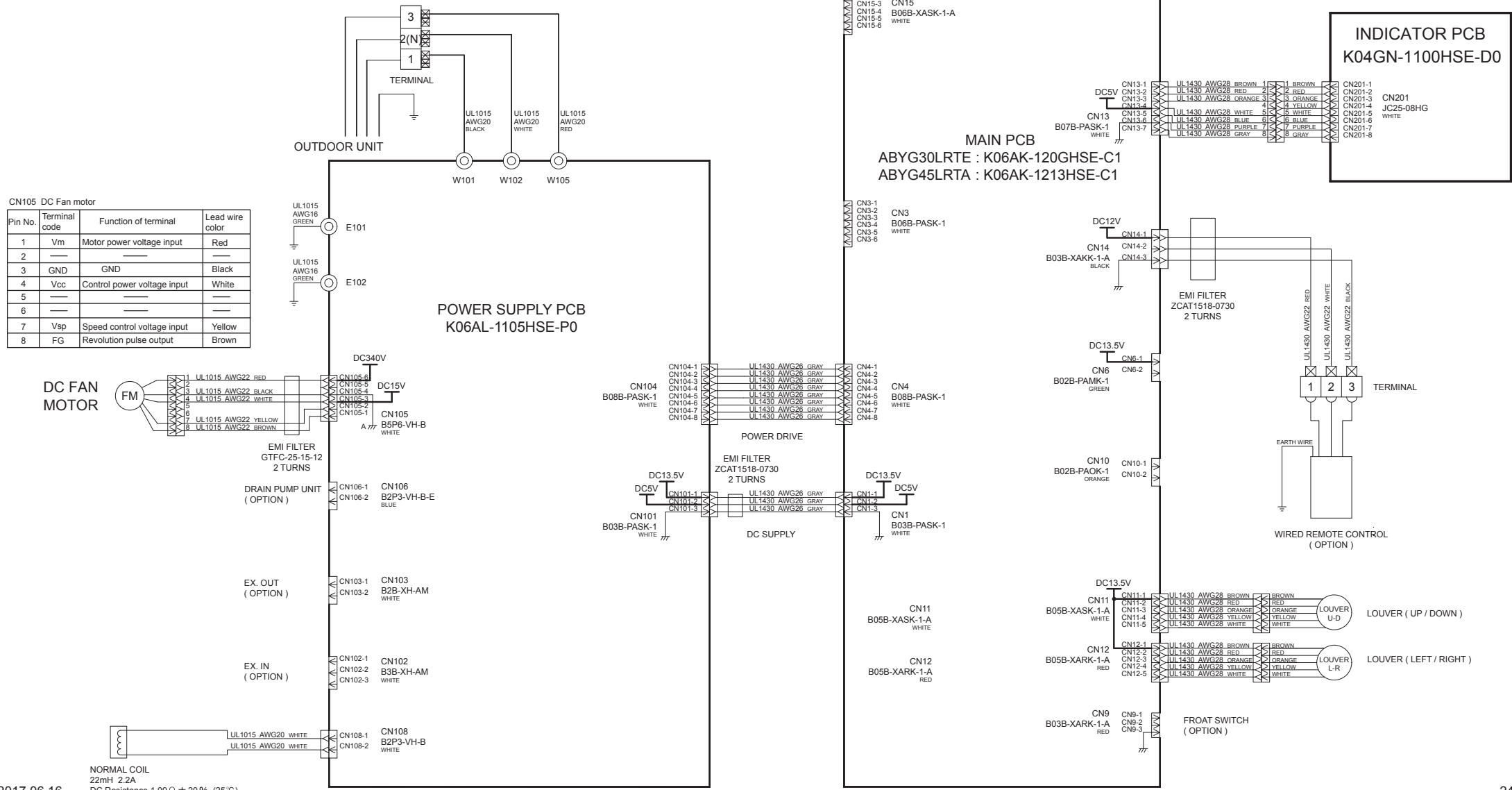
CONTROL UNIT
 ABYG30LRTE : EZ-0121SHSE
 ABYG45LRTA : EZ-0122EHSE

CN8
 Thermistor Characteristics.

Thermistor	Temperature	(0°C)	(20°C)	(30°C)
Thermistor (Room temp.)		33.6 k Ω	12.5 k Ω	8.0 k Ω
		1.1 V	2.2 V	2.8 V

CN5
 Thermistor Characteristics.

Thermistor	Temperature	(0°C)	(20°C)	(30°C)
Thermistor (Pipe temp.)		176.0 k Ω	62.9 k Ω	39.6 k Ω
		1.1 V	2.2 V	2.8 V



CN105 DC Fan motor

Pin No.	Terminal code	Function of terminal	Lead wire color
1	Vm	Motor power voltage input	Red
2	---	---	---
3	GND	GND	Black
4	Vcc	Control power voltage input	White
5	---	---	---
6	---	---	---
7	Vsp	Speed control voltage input	Yellow
8	FG	Revolution pulse output	Brown

NORMAL COIL
 22mH 2.2A
 DC Resistance 1.09 Ω ± 20% (25°C)

Models : ARYG22LMLA
 ARYG30LMLE
 ARYG45LMLA

CN8 Thermistor Characteristics.

Thermistor	Temperature	0 °C	20 °C	30 °C
Thermistor (room temp.)		33.6 k Ω	12.5 k Ω	8.0 k Ω
		1.1 V	2.2 V	2.8 V

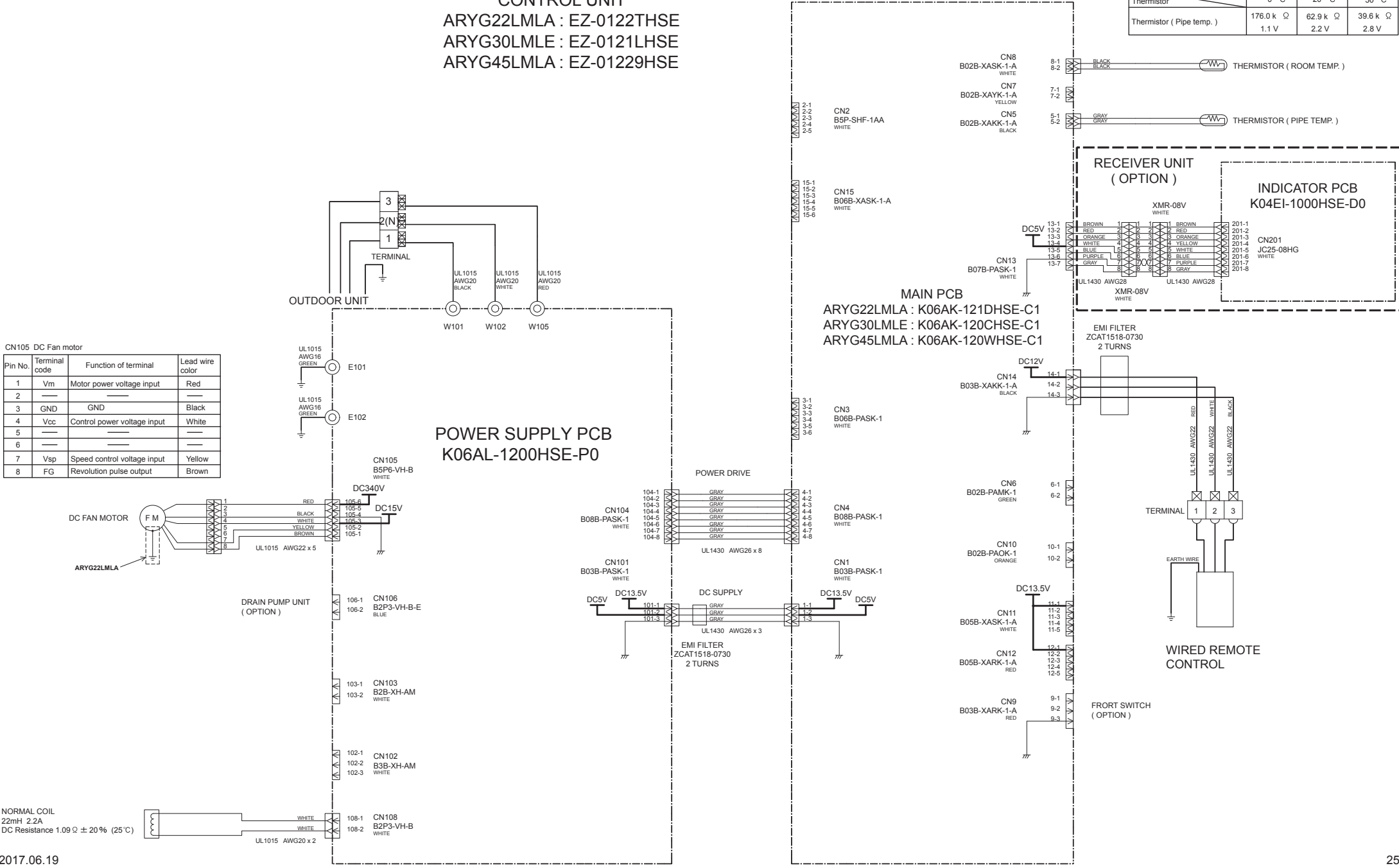
CN5 Thermistor Characteristics.

Thermistor	Temperature	0 °C	20 °C	30 °C
Thermistor (Pipe temp.)		176.0 k Ω	62.9 k Ω	39.6 k Ω
		1.1 V	2.2 V	2.8 V

CONTROL UNIT
 ARYG22LMLA : EZ-0122THSE
 ARYG30LMLE : EZ-0121LHSE
 ARYG45LMLA : EZ-01229HSE

CN105 DC Fan motor

Pin No.	Terminal code	Function of terminal	Lead wire color
1	Vm	Motor power voltage input	Red
2	—	—	—
3	GND	GND	Black
4	Vcc	Control power voltage input	White
5	—	—	—
6	—	—	—
7	Vsp	Speed control voltage input	Yellow
8	FG	Revolution pulse output	Brown



NORMAL COIL
 22mH 2.2A
 DC Resistance 1.09 Ω ± 20% (25°C)

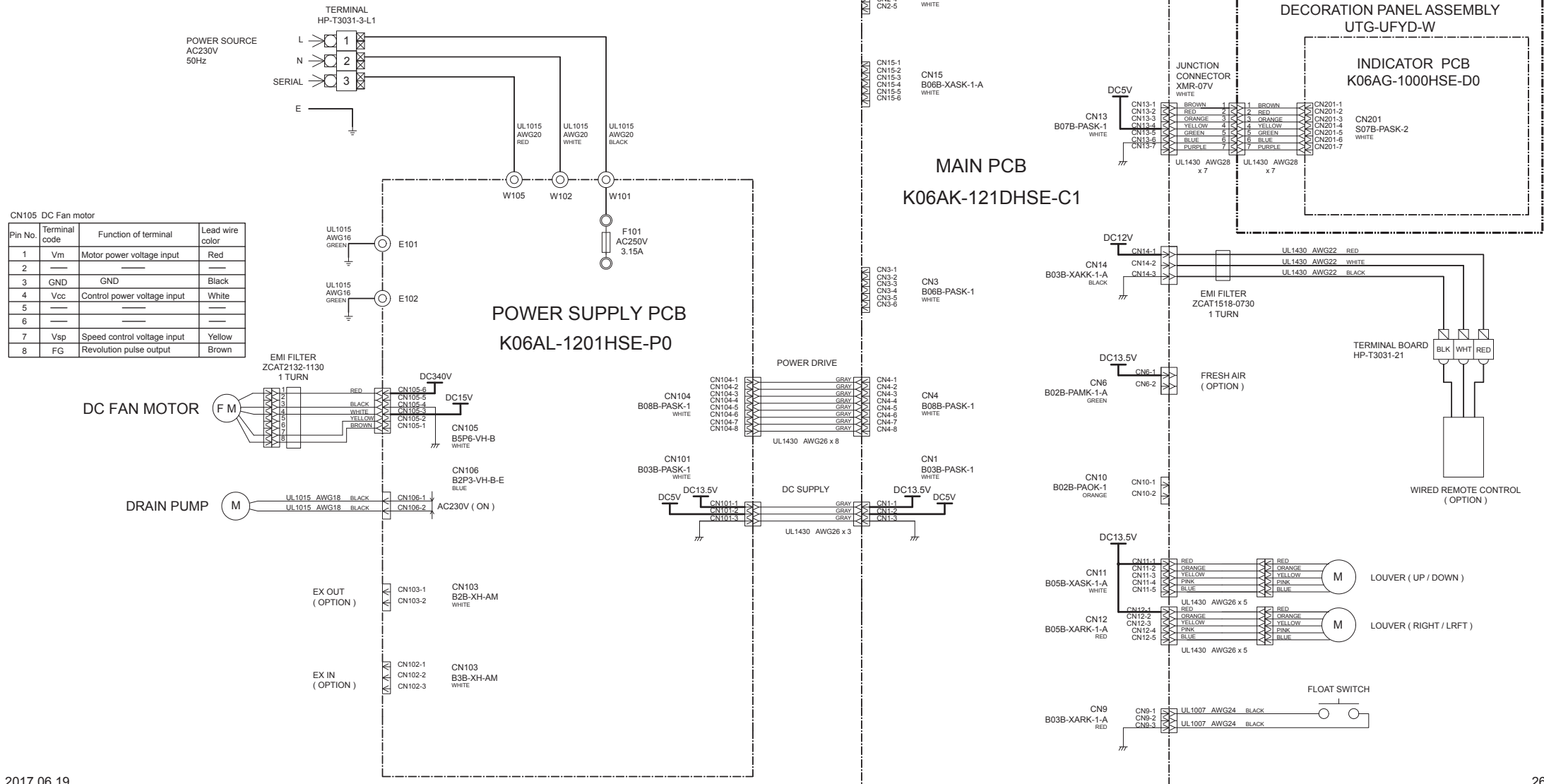
CONTROL UNIT EZ-0122THSE

CN8
 Thermistor Characteristics.

Thermistor	Temperature	(0 °C)	(20 °C)	(30 °C)
Thermistor (Room temp.)		33.6 k Ω	12.5 k Ω	8.0 k Ω
		1.1 V	2.2 V	2.8 V

CN5
 Thermistor Characteristics.

Thermistor	Temperature	(0 °C)	(20 °C)	(30 °C)
Thermistor (Pipe temp.)		176.3 k Ω	62.9 k Ω	39.6 k Ω
		1.1 V	2.2 V	2.8 V



Models : AUYG30LRLE
 AUYG45LRLA
 UTG-UGYA-W (OPTION)

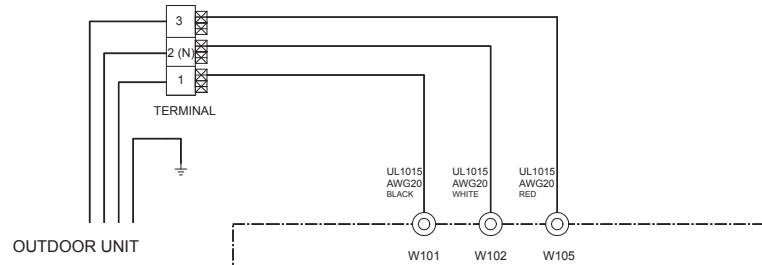
CONTROL UNIT
 AUYG30LRLE : EZ-0121PHSE
 AUYG45LRLA : EZ-0122RHSE

CN8 Thermistor Characteristics.

Thermistor	Temperature	0 °C	20 °C	30 °C
Thermistor (Room temp.)		33.6 k Ω	12.5 k Ω	8.0 k Ω
		1.1 V	2.2 V	2.8 V

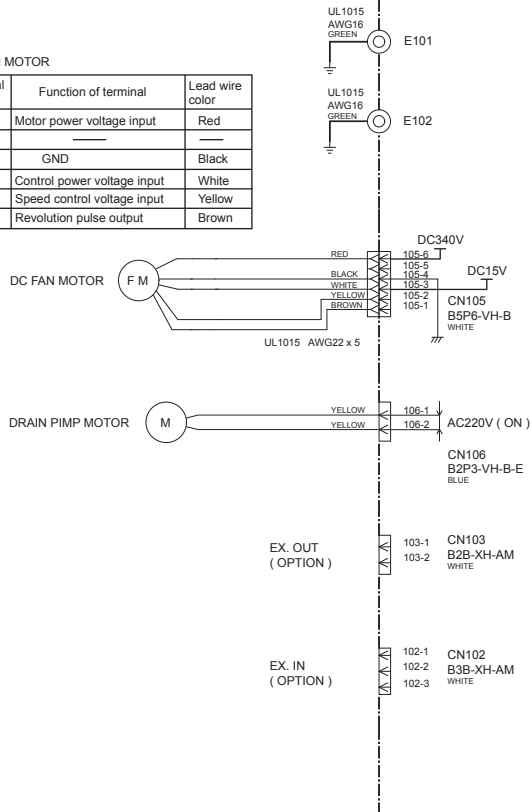
CN5 Thermistor Characteristics.

Thermistor	Temperature	0 °C	20 °C	30 °C
Thermistor (Pipe temp.)		176.0 k Ω	62.9 k Ω	39.6 k Ω
		1.1 V	2.2 V	2.8 V

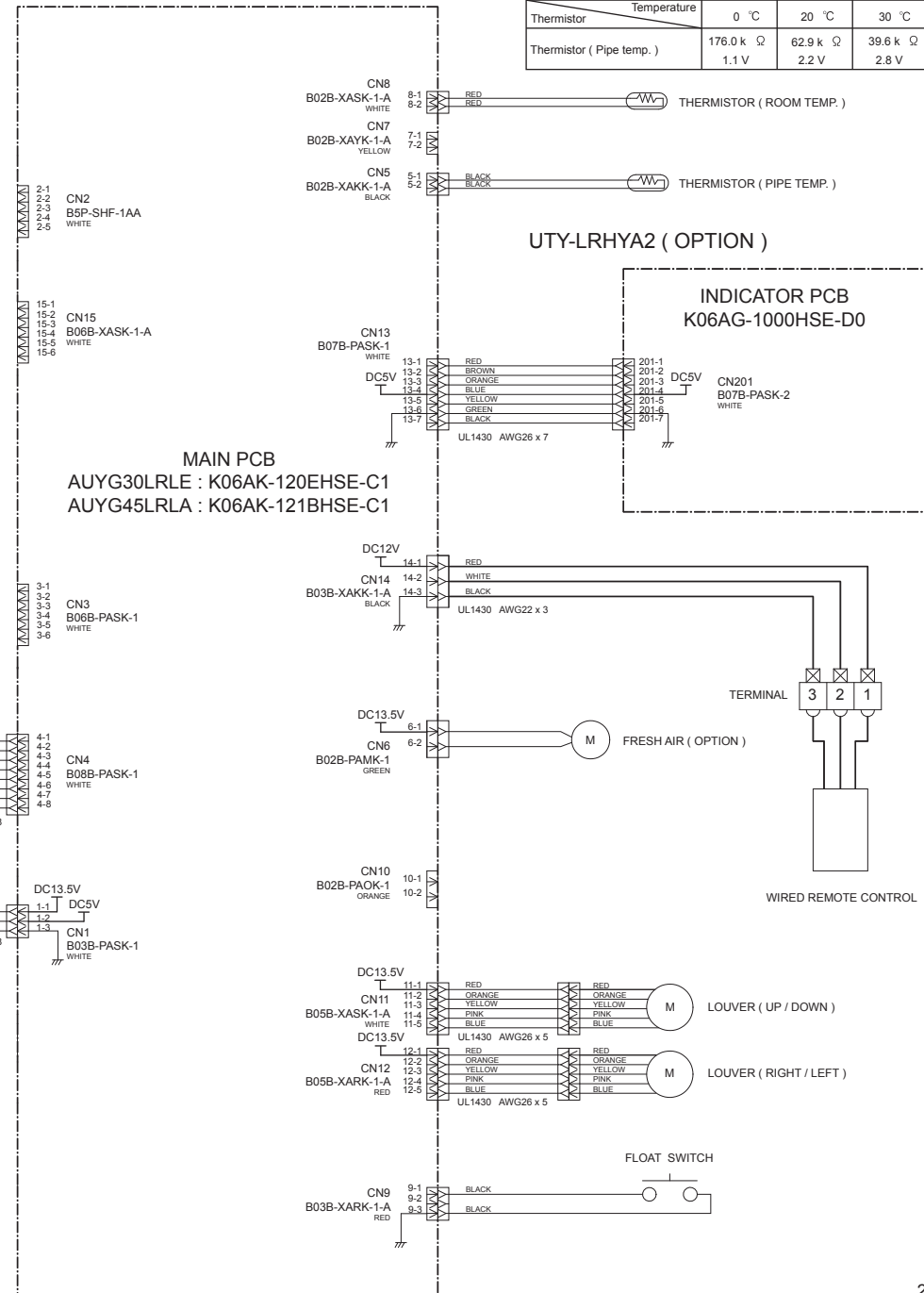
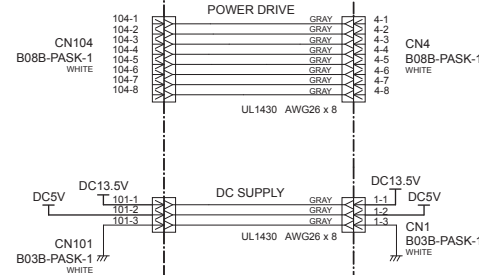


CN105 DC FAN MOTOR

Pin No.	Terminal code	Function of terminal	Lead wire color
6	V _{DC}	Motor power voltage input	Red
5	—	—	—
4	GND	GND	Black
3	V _{CC}	Control power voltage input	White
2	V _{SP}	Speed control voltage input	Yellow
1	FG	Revolution pulse output	Brown

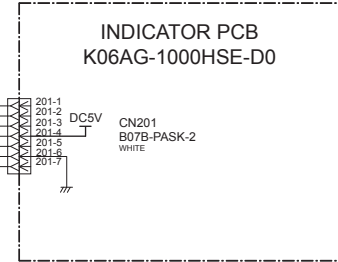


POWER SUPPLY PCB
 K06AL-1107HSE-P0

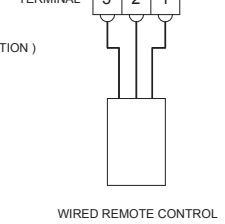


MAIN PCB
 AUYG30LRLE : K06AK-120EHSE-C1
 AUYG45LRLA : K06AK-121BHSE-C1

UTY-LRHYA2 (OPTION)



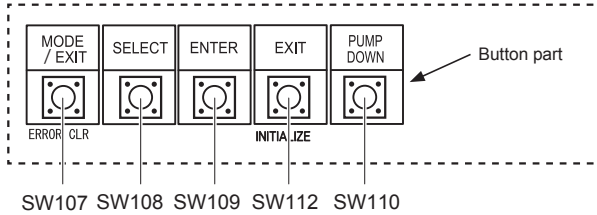
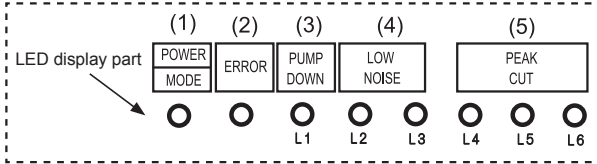
INDICATOR PCB
 K06AG-1000HSE-D0



ERROR DETECTION

OUTDOOR UNIT ERROR CODE DISPLAY

You can determine the operating status by the lighting up and blinking of the LED lamp.



Display when an error occurs

POWER MODE	ERROR	PUMP DOWN (L1)	LOW NOISE (L2) (L3)	PEAK CUT (L4) (L5) (L6)
●	Blink (Hi speed)	○	○ ○ ○	○ ○ ○ ○ ○ ○

Sign "○": Lights off, "●": Lights on

Check that the "ERROR" LED blinks, then press the [ENTER] button once.

Display mode ● : Lights on
○ : Lights off
◆ : Blink (0.5s Lights on / 0.5s Lights off)
() : Number of flashing

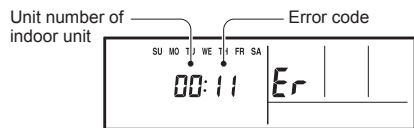
Error code check table

POWER/ MODE	ERROR	LED display						DESCRIPTION	REMARK
		PUMP DOWN (L1)	LOW NOISE (L2) (L3)		PEAK CUT (L4) (L5) (L6)				
◆(2)	●	◆(1)	◆(1)	○	○	●	●	Serial communication error	Serial forward transmission error immediately after operation
◆(2)	●	◆(1)	◆(1)	○	●	○	○		Serial forward transmission error during operation
◆(2)	●	◆(2)	◆(2)	○	○	○	●	Indoor unit capacity error	Indoor unit capacity error
◆(2)	●	◆(5)	◆(15)	○	○	○	●	Indoor unit error	Indoor unit error
◆(2)	●	◆(6)	◆(2)	○	○	○	●	Outdoor unit main PCB error	Outdoor unit PCB model information error
◆(2)	●	◆(6)	◆(3)	○	○	○	●	Inverter PCB error	Inverter error
◆(2)	●	◆(6)	◆(5)	○	○	●	●	IPM error	Trip terminal L error
◆(2)	●	◆(7)	◆(1)	○	○	○	●	Discharge temp. sensor error	Discharge temp. sensor 1 error
◆(2)	●	◆(7)	◆(2)	○	○	○	●	Compressor temp. sensor error	Compressor temp. sensor 1 error
◆(2)	●	◆(7)	◆(3)	○	○	●	○	Outdoor unit Heat Ex. sensor error	Heat Ex. middle temp. sensor error
◆(2)	●	◆(7)	◆(3)	○	○	●	●		Outdoor unit Heat Ex. liquid temp. sensor error
◆(2)	●	◆(7)	◆(4)	○	○	○	●	Outdoor temp. sensor error	Outdoor temp. sensor error
◆(2)	●	◆(7)	◆(7)	○	○	○	●	Heat sink temp. sensor error	Heat sink temp. sensor error
◆(2)	●	◆(8)	◆(4)	○	○	○	●	Current sensor error	Current sensor 1 error (stoppage permanently)
◆(2)	●	◆(8)	◆(6)	○	●	○	○	Pressure sensor error	High pressure switch 1 error
◆(2)	●	◆(8)	◆(6)	○	○	○	●		Outdoor unit discharge pressure sensor error
◆(2)	●	◆(8)	◆(6)	○	○	●	●		Outdoor unit suction pressure sensor error
◆(2)	●	◆(9)	◆(4)	○	○	○	●	Trip detection	Trip detection
◆(2)	●	◆(9)	◆(5)	○	○	○	●	Compressor motor control error	Rotor position detection error (stoppage permanently)
◆(2)	●	◆(9)	◆(7)	○	○	●	●	Outdoor unit fan motor 1 error	Duty error
◆(2)	●	◆(9)	◆(8)	○	○	●	●	Outdoor unit fan motor 2 error	Duty error
◆(2)	●	◆(9)	◆(9)	○	○	○	●	4-way valve error	4-way valve error
◆(2)	●	◆(10)	◆(1)	○	○	○	●	Discharge temp. 1 error	Discharge temp. 1 error
◆(2)	●	◆(10)	◆(3)	○	○	○	●	Compressor temp. error	Compressor 1 temp. error
◆(2)	●	◆(10)	◆(5)	○	○	○	●	Pressure error 2	Low pressure error

WIRED REMOTE CONTROL

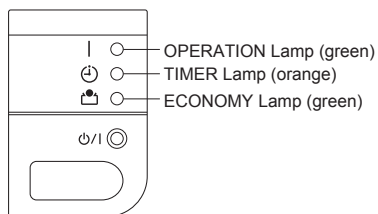
This is possible only on a wired remote control.

If an error occurs, the following display will be shown.
("Er" will appear in the set room temperature display.)

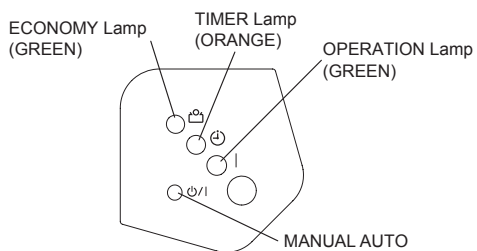


EX. Self-diagnosis

INDOOR UNIT (CEILING)



INDOOR UNIT (CASSETTE)



- : 0.5s on / 0.5s off
- ◇ : 0.1s on / 0.1s off
- () : Number of flashing

Indoor unit			Wired remote control	Description
OPERATION lamp (green)	TIMER lamp (orange)	ECONOMY lamp (green)		
● (1)	● (1)	◇	11	Serial communication error
● (1)	● (2)	◇	12	Wired remote control communication error
● (1)	● (5)	◇	15	Check run unfinished
● (2)	● (1)	◇	21	Unit number or Refrigerant circuit address setting error [Simultaneous Multi]
● (2)	● (2)	◇	22	Indoor unit capacity error
● (2)	● (3)	◇	23	Combination error
● (2)	● (4)	◇	24	• Connection unit number error (indoor slave unit) [Simultaneous Multi] • Connection unit number error (indoor unit or branch unit) [Flexible Multi]
● (2)	● (7)	◇	27	Master unit, slave unit set-up error [Simultaneous Multi]
● (3)	● (1)	◇	31	Power supply interruption error
● (3)	● (2)	◇	32	Indoor unit PCB model information error
● (3)	● (5)	◇	35	Manual auto switch error
● (4)	● (1)	◇	41	Inlet air temp. sensor error
● (4)	● (2)	◇	42	Indoor unit Heat Ex. Middle temp. sensor error
● (5)	● (1)	◇	51	Indoor unit fan motor error
● (5)	● (3)	◇	53	Drain pump error
● (5)	● (7)	◇	57	Damper error
● (5)	● (15)	◇	5U	Indoor unit error
● (6)	● (2)	◇	62	Outdoor unit main PCB model information error or communication error
● (6)	● (3)	◇	63	Inverter error
● (6)	● (4)	◇	64	Active filter error, PFC circuit error
● (6)	● (5)	◇	65	Trip terminal L error
● (6)	● (10)	◇	6A	Display PCB microcomputers communication error

Indoor unit			Wired remote control	Description
OPERATION lamp (green)	TIMER lamp (orange)	ECONOMY lamp (green)		
● (7)	● (1)	◇	71	Discharge temp. sensor error
● (7)	● (2)	◇	72	Compressor temp. sensor error
● (7)	● (3)	◇	73	Outdoor unit Heat Ex. liquid temp. sensor error
● (7)	● (4)	◇	74	Outdoor temp. sensor error
● (7)	● (5)	◇	75	Suction Gas temp. sensor error
● (7)	● (6)	◇	76	• 2-way valve temp. sensor error • 3-way valve temp. sensor error
● (7)	● (7)	◇	77	Heat sink temp. sensor error
● (8)	● (2)	◇	82	• Sub-cool Heat Ex. gas inlet temp. sensor error • Sub-cool Heat Ex. gas outlet temp. sensor error
● (8)	● (3)	◇	83	Liquid pipe temp. sensor error
● (8)	● (4)	◇	84	Current sensor error
● (8)	● (6)	◇	86	• Discharge pressure sensor error • Suction pressure sensor error • High pressure switch error
● (9)	● (4)	◇	94	Trip detection
● (9)	● (5)	◇	95	Compressor rotor position detection error (permanent stop)
● (9)	● (7)	◇	97	Outdoor unit fan motor 1 error
● (9)	● (8)	◇	98	Outdoor unit fan motor 2 error
● (9)	● (9)	◇	99	4-way valve error
● (9)	● (10)	◇	9A	Coil (expansion valve) error
● (10)	● (1)	◇	A1	Discharge temp. error
● (10)	● (3)	◇	A3	Compressor temp. error
● (10)	● (4)	◇	A4	High pressure error
● (10)	● (5)	◇	A5	Low pressure error
● (13)	● (2)	◇	J2	Branch boxes error [Flexible Multi]

CAUTION

We will change the specification of parts.
 With this change, we will not change the MODEL NAME of the product.
 Instead, add the revision code to the nameplate.
 As a result, the parts list of the service parts will be changed.

	Serial No.
Revision code : None	R000001 ~ R099999
Revision code : A	R100001 ~ R199999

Please identify it by serial number and revision code.

Carton label

Revision Code : None

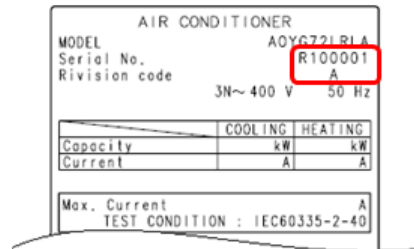
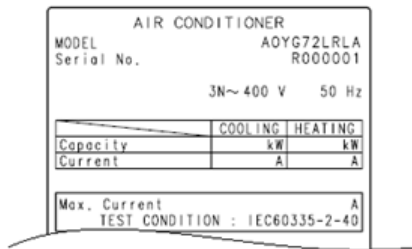
Revision Code : A



Label rating

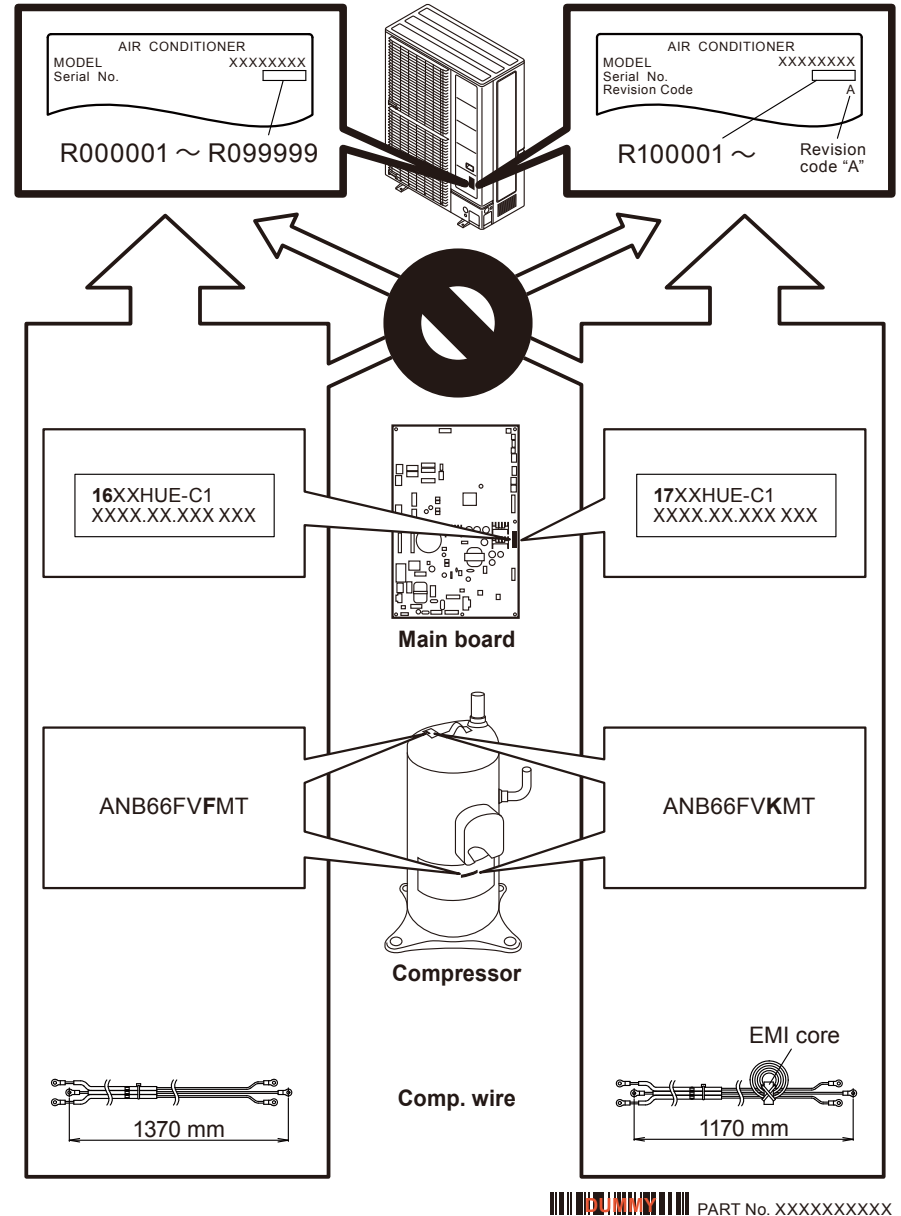
Revision Code : None

Revision Code : A



Leaflet attached with service parts

Confirm the serial number before exchange parts.



Change parts list

Ref. No.	Description		Revision code : None	Revision code : A	Remarks
	name	note			
24	MAIN PCB	(service unit)	9710851032 K16GX-1605SUE-C1	9710851063 K16GX-1702SUE-C1	Leaflet ※ attached
32	FILTER PCB		9709919033 K11CB-1600HUE-FLO	9710417016 K15CL-1600HUE-FLO	
33	POWER PCB		9710771019 K16HC-1601HUE-P0	None	
34	POWER PCB HOLDER		9382541002 PPE/PS 5VA	None	
41	POWER DIODE		0001113013 DF60LA160	None	
42	CT PCB		9708938028 K11BN-1600HUE-S0	None	
43	REACTOR ASSY(INV)		9900748012 30A 2MH L390 DPC	9900748005 30A 2MH DPC	
44	INVERTER PCB	(service unit)	9709682012 K11BX-1603HUE-TR1-SV	9709682098 K15CB-1600HUE-TR1-SV	
45	HEAT SINK A		9382538002 A6063S	9382538019 A6063S	
46	HEAT SINK B		9382539009 A6063S	None	
-	HEAT SINK THERMISTOR		9900518004 PT2EP-41F-F1-1	None	
79	COMPRESSOR SUB ASSY	(service unit)	9382796006 ANB66FVFM T	9382796013 ANB66FVKMT	Leaflet ※ attached
NEW	WIRE(INVERTER COMP)	(service unit)	9382819002 AJ*072-090LELAH, BLACK	←	Packaged with new wire and old wire and Leaflet ※ attached
NEW	SEPARATE WALL SUB ASSY		9380567028 AJY108LELAH	9380567035 AJY072LELAH	
NEW	CONTROL BOX (INV PART) ASSY		9382453022 SPOT WELD	9382453015 SPOT WELD	

About original parts before revision change

If there are original parts (shaded in the table below) in parts inventory, please use for the product before revision change.

In the future, if ordered by the part number of the original part, we arrange it with a new part (red letters)

Description		Revision code [None]		Remarks
name	note	Original [Discontinue]	New	
COMPRESSOR SUB ASSY	service unit	9379228046 ANB66FVFMT	9382796006 ANB66FVFMT	
MAIN PCB [for 72 model]	service unit	9710757044 K16GX-1604HUE-C1	9710851025 K16GX-1604SUE-C1	For AO*G72LRLA, ROG72LRLA
MAIN PCB [for 90 model]	service unit	9710757051 K16GX-1605HUE-C1	9710851032 K16GX-1605SUE-C1	For AO*G90LRLA, ROG90LRLA

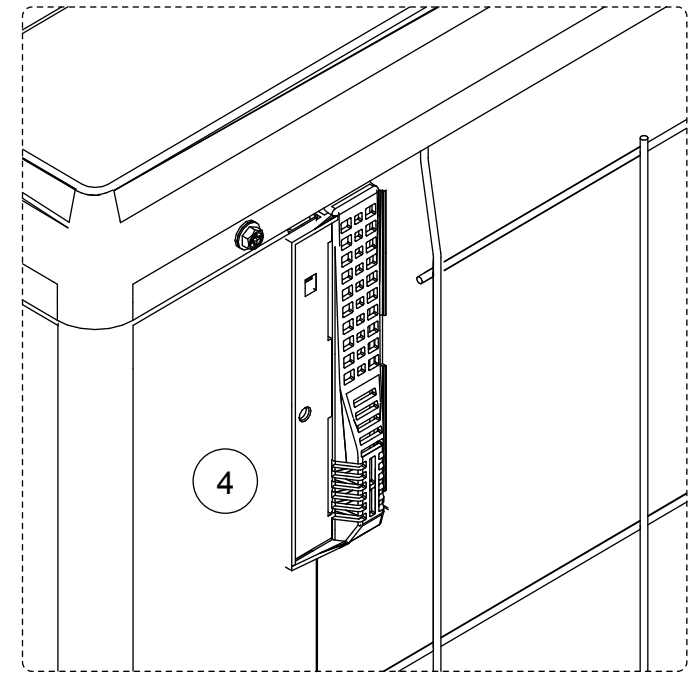
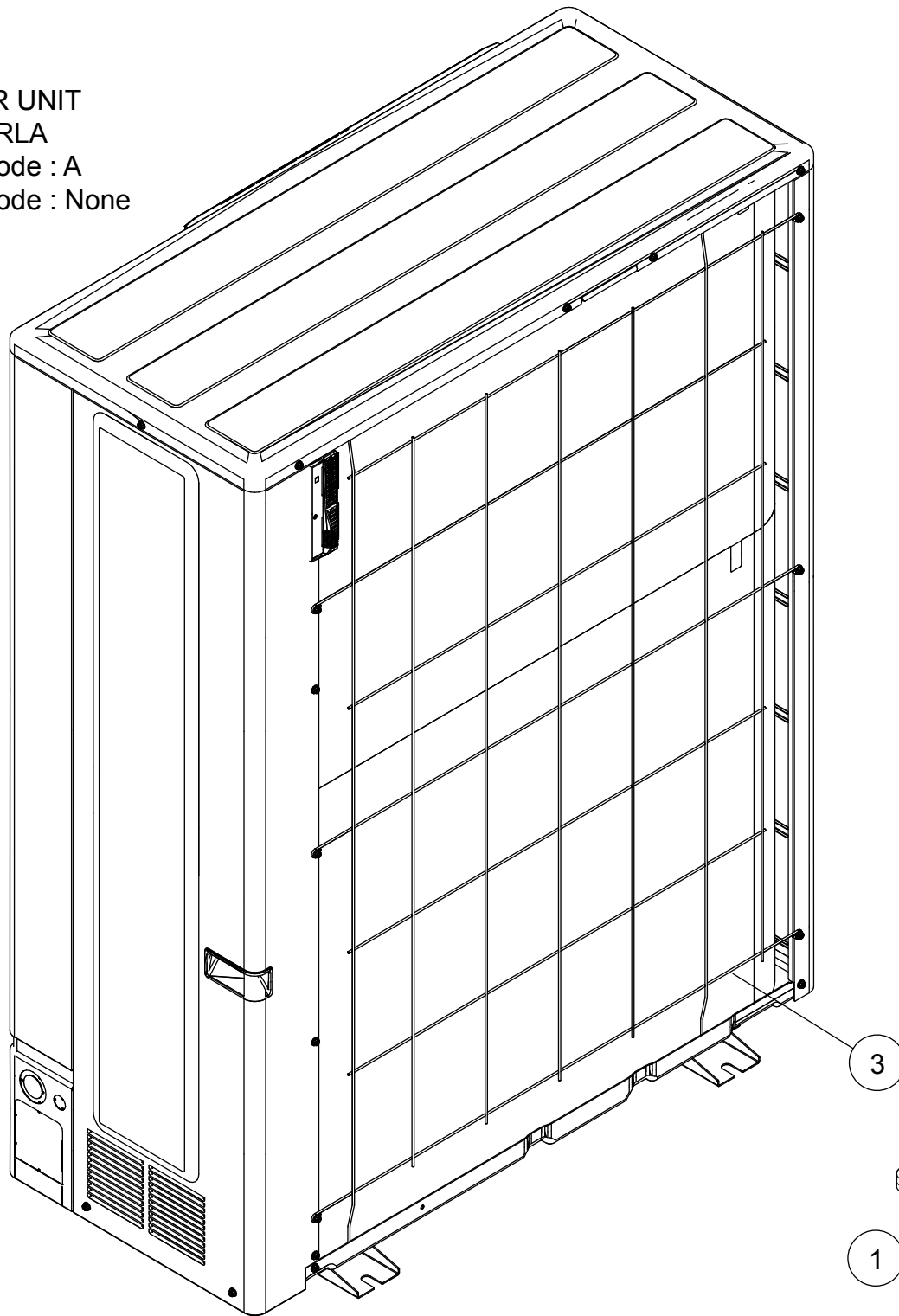
PARTS

OUTDOOR UNIT

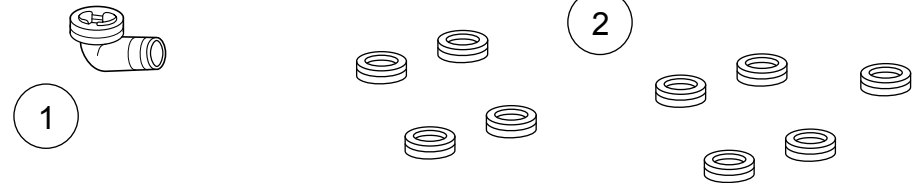
AOYG90LRLA

Revision code : A

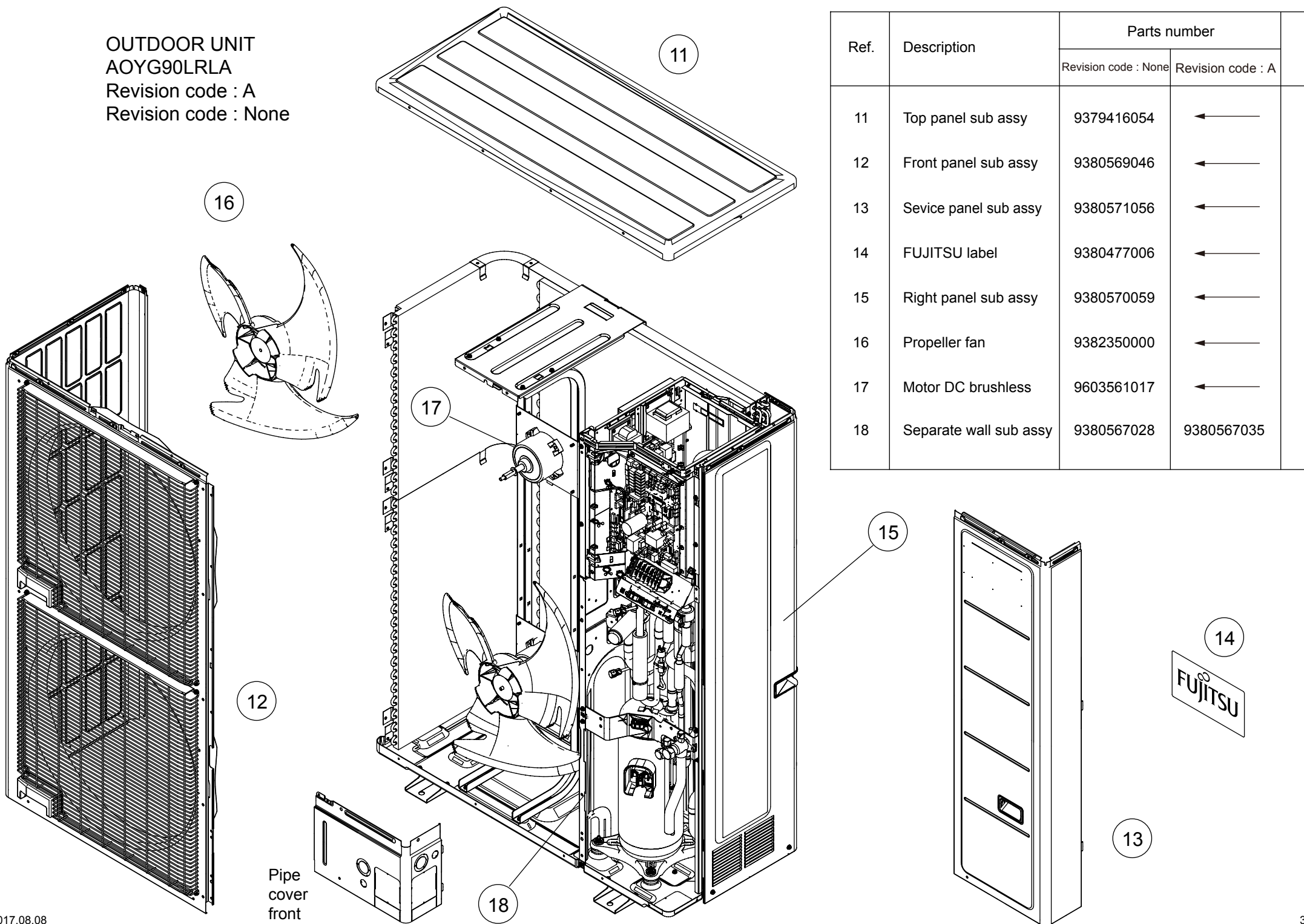
Revision code : None



Ref.	Description	Parts number	
		Revision code : None	Revision code : A
1	Drain Assy	9303029015	←
2	Drain Cap	313166024302	←
3	Protective Net assy	9378926066	←
4	Thermo Holder	9375211011	←
5	Outdoor Thermistor	9900957018	←

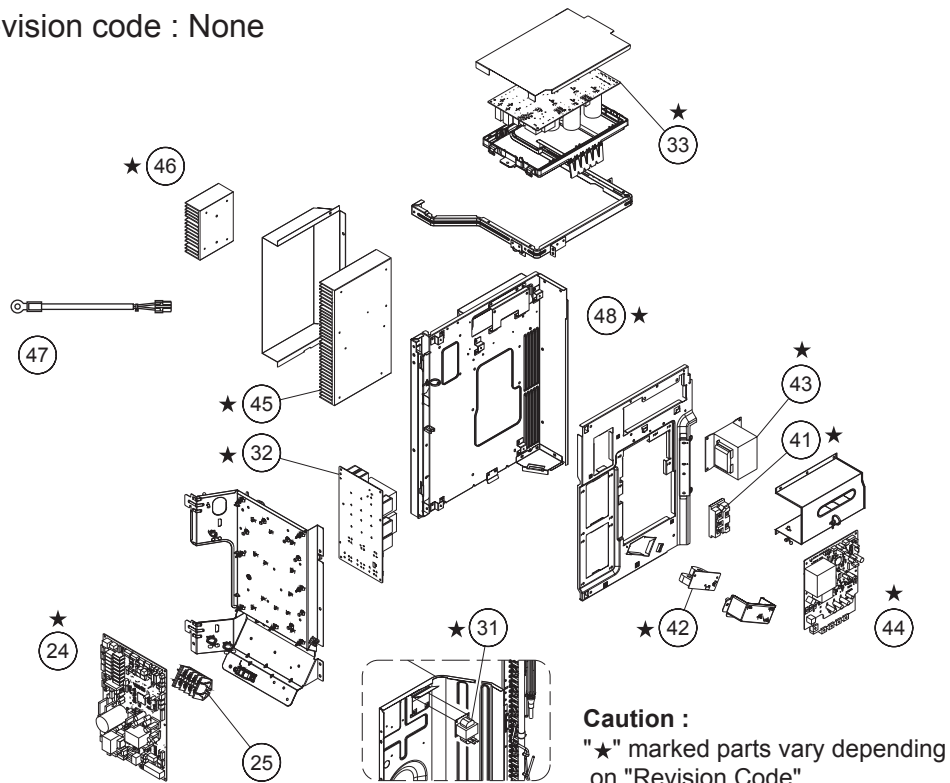


OUTDOOR UNIT
 AOYG90LRLA
 Revision code : A
 Revision code : None



Ref.	Description	Parts number	
		Revision code : None	Revision code : A
11	Top panel sub assy	9379416054	←
12	Front panel sub assy	9380569046	←
13	Sevice panel sub assy	9380571056	←
14	FUJITSU label	9380477006	←
15	Right panel sub assy	9380570059	←
16	Propeller fan	9382350000	←
17	Motor DC brushless	9603561017	←
18	Separate wall sub assy	9380567028	9380567035

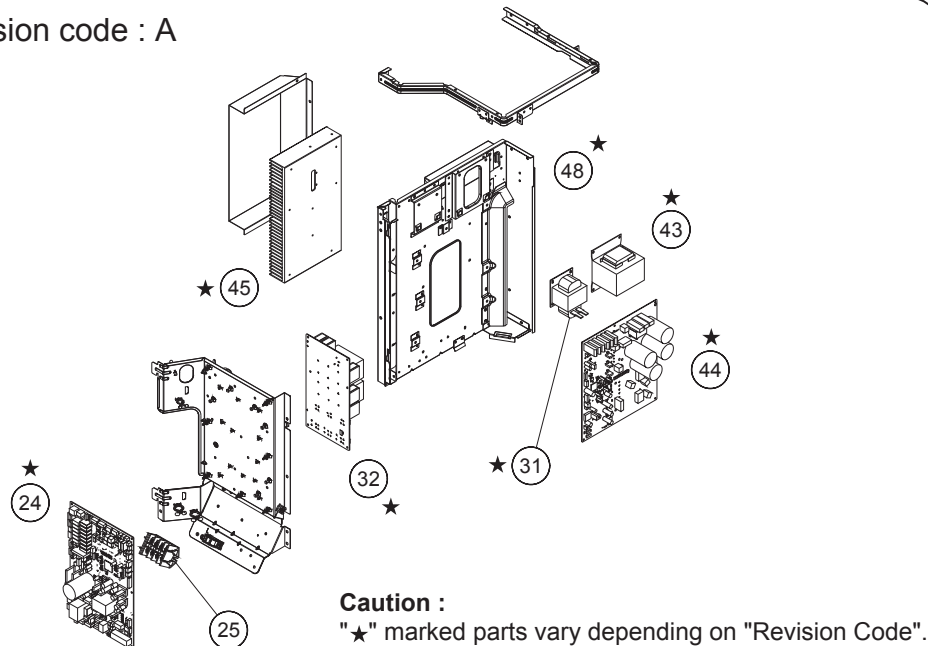
Revision code : None



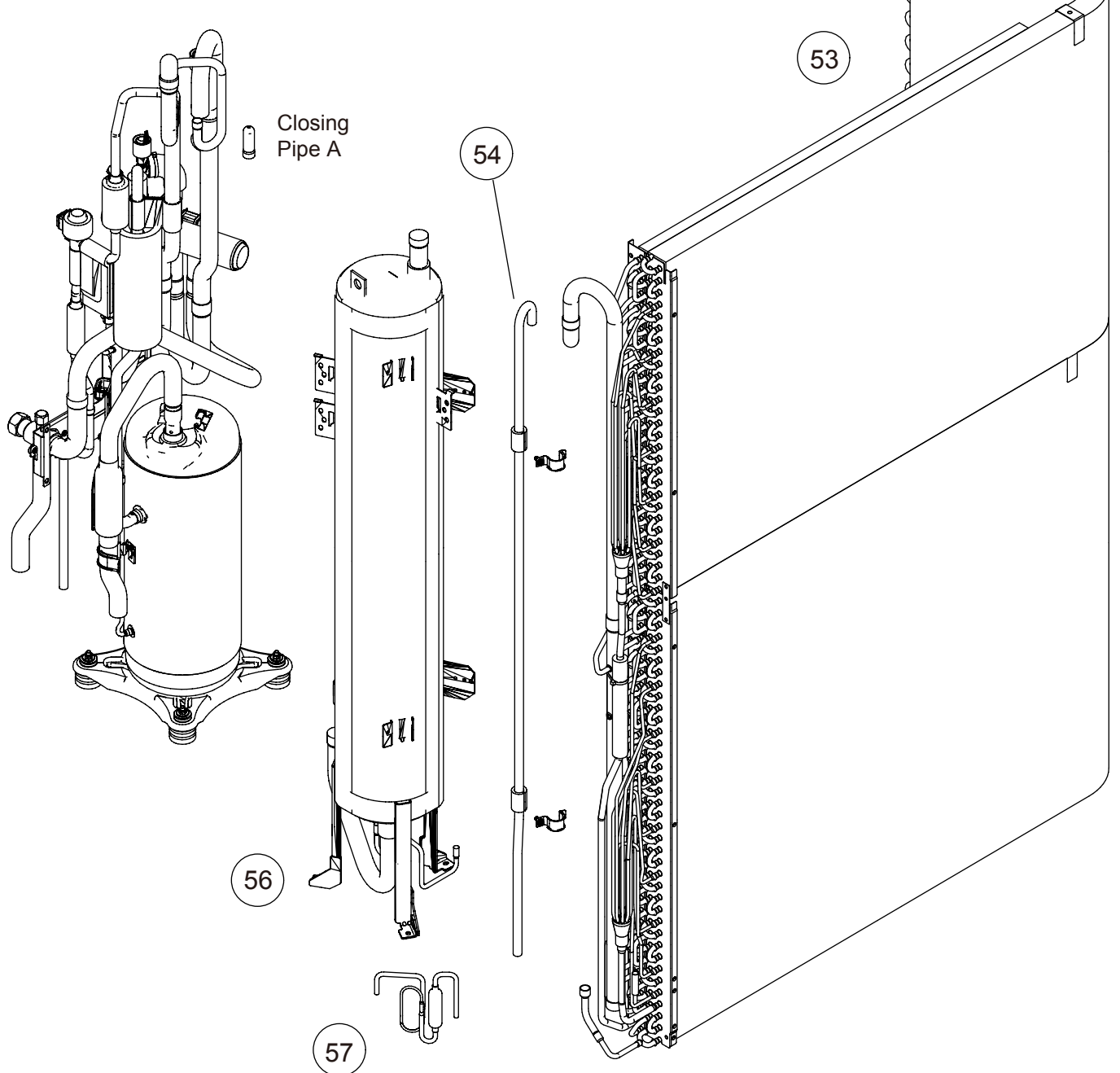
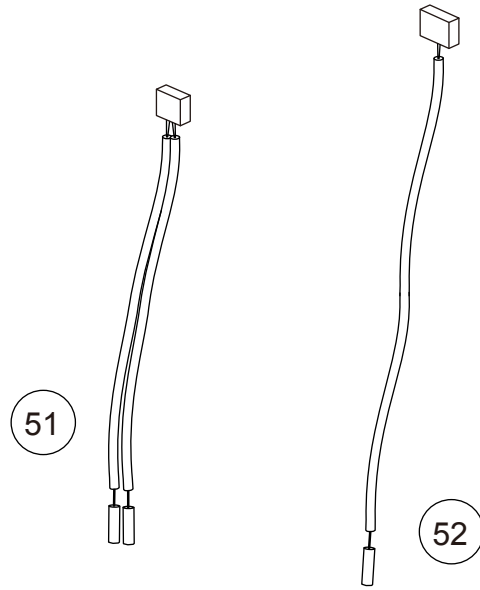
OUTDOOR UNIT AOYG90LRLA

Ref	Description	Parts number	
		Revision code : None	Revision code : A
24	Main PCB (service unit)	9710851032	9710851063
25	Terminal	9900569006	←
31	Reactor assy (main)	9900584016	←
32	Filter PCB	9709919033	9710417016
33	Power PCB	9710771019	None
41	Power Diode	0001113013	None
42	CT PCB	9708938028	None
43	Reactor assy (inv)	9900748012	9900748005
44	Inverter PCB (service unit)	9709682012	9709682098
45	Heatsink A	9382538002	9382538019
46	Heatsink B	9382539009	None
47	Heatsink thermistor	9900518004	None
48	Control box (inv part) assy	9382453022	9382453015

Revision code : A



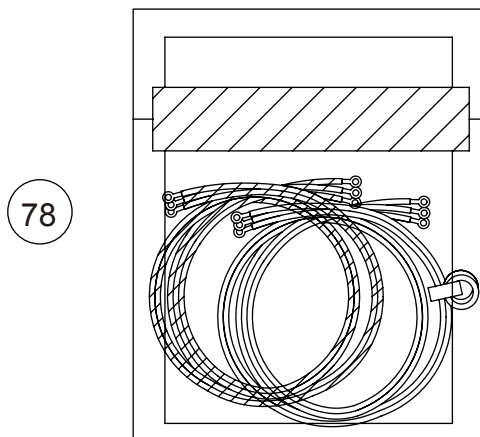
OUTDOOR UNIT
 AOYG90LRLA
 Revision code : A
 Revision code : None



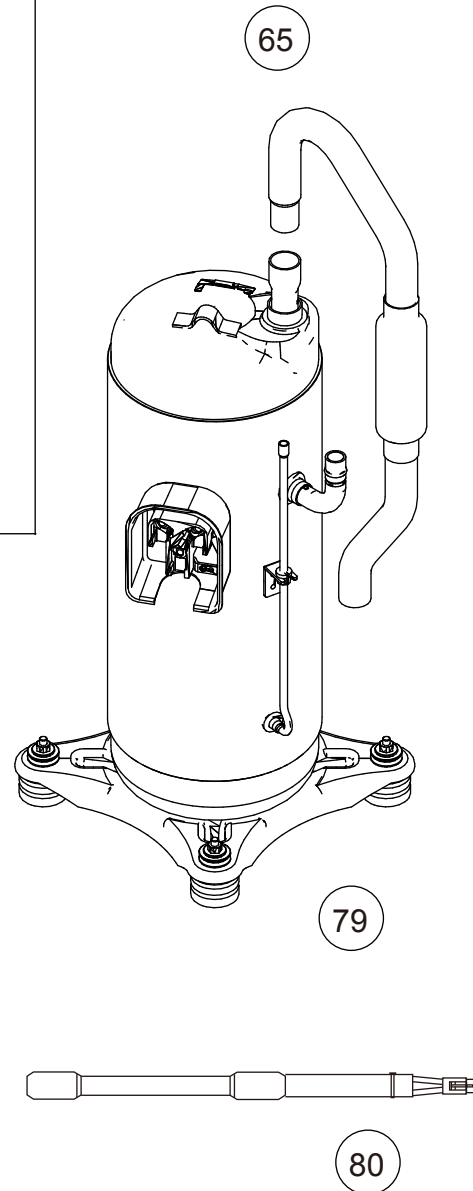
Ref.	Description	Parts number	
		Revision code : None	Revision code : A
51	Thermistor Assy	9900922023	←
52	Thermistor (Heat Exchanger)	9900967017	←
53	Condenser Total Assy	9382704001	←
54	Joint Pipe Distributor 1	9382700003	←
56	Accumulator Sub Assy	9379221085	←
57	Oil Return Pipe A Assy	9378745070	←

Ref.	Description	Parts number	
		Revision code : None	Revision code : A
61	Expansion Valve Coil	9970114007	←
62	Expansion Valve Assy	9378750173	←
63	3-way Valve Assy	9379039086	←
64	3-way Valve Assy	9379039062	←
65	Suction Pipe A Assy	9382716004	←
78	Wire (inverter comp) (service unit)	9382819002	←
79	Compressor Sub Assy (service unit)	9382796006	9382796013
80	Belt Heater	9361140332	←

OUTDOOR UNIT
 AOYG90LRLA
 Revision code : A
 Revision code : None



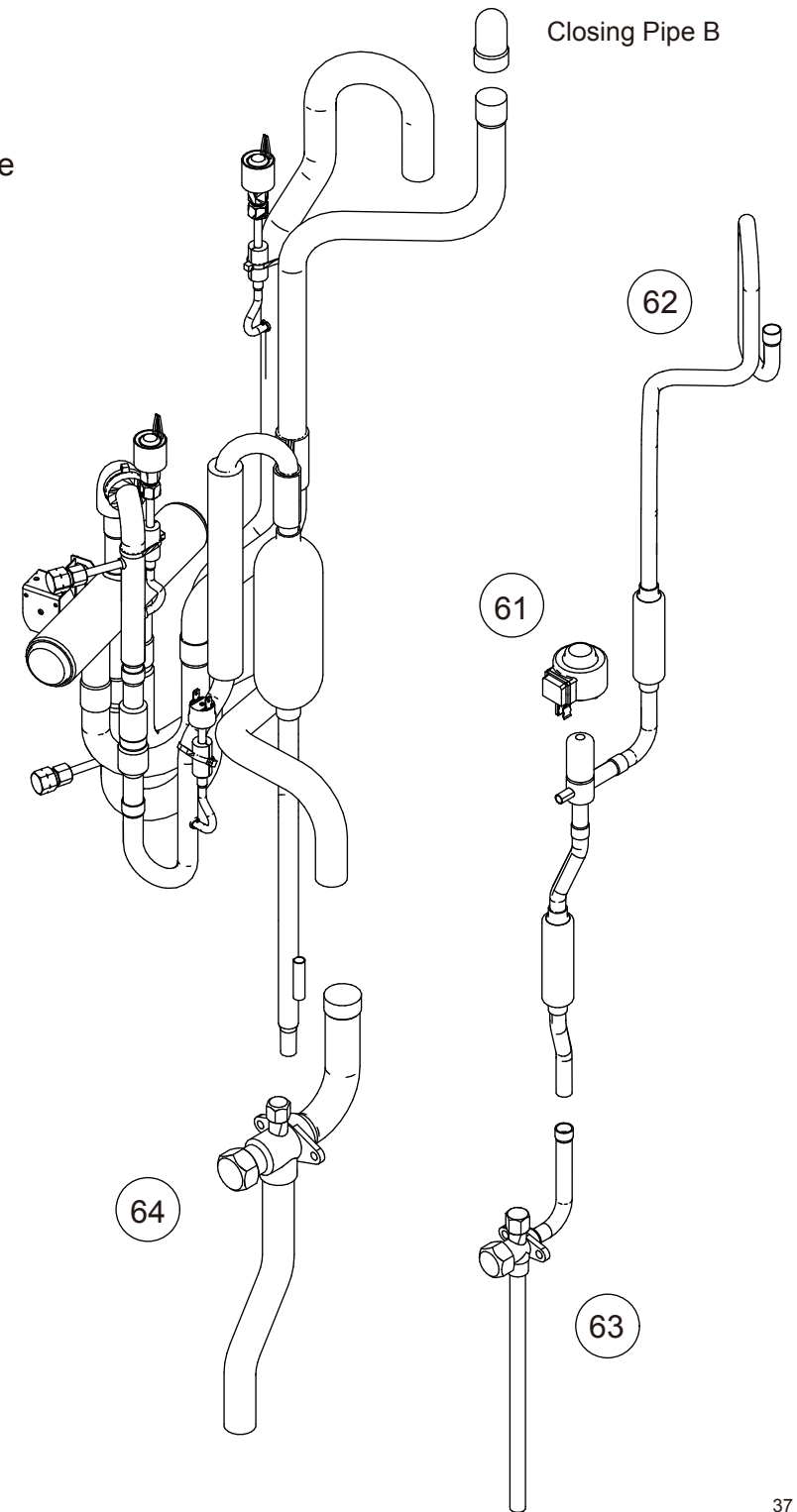
78



65

79

80



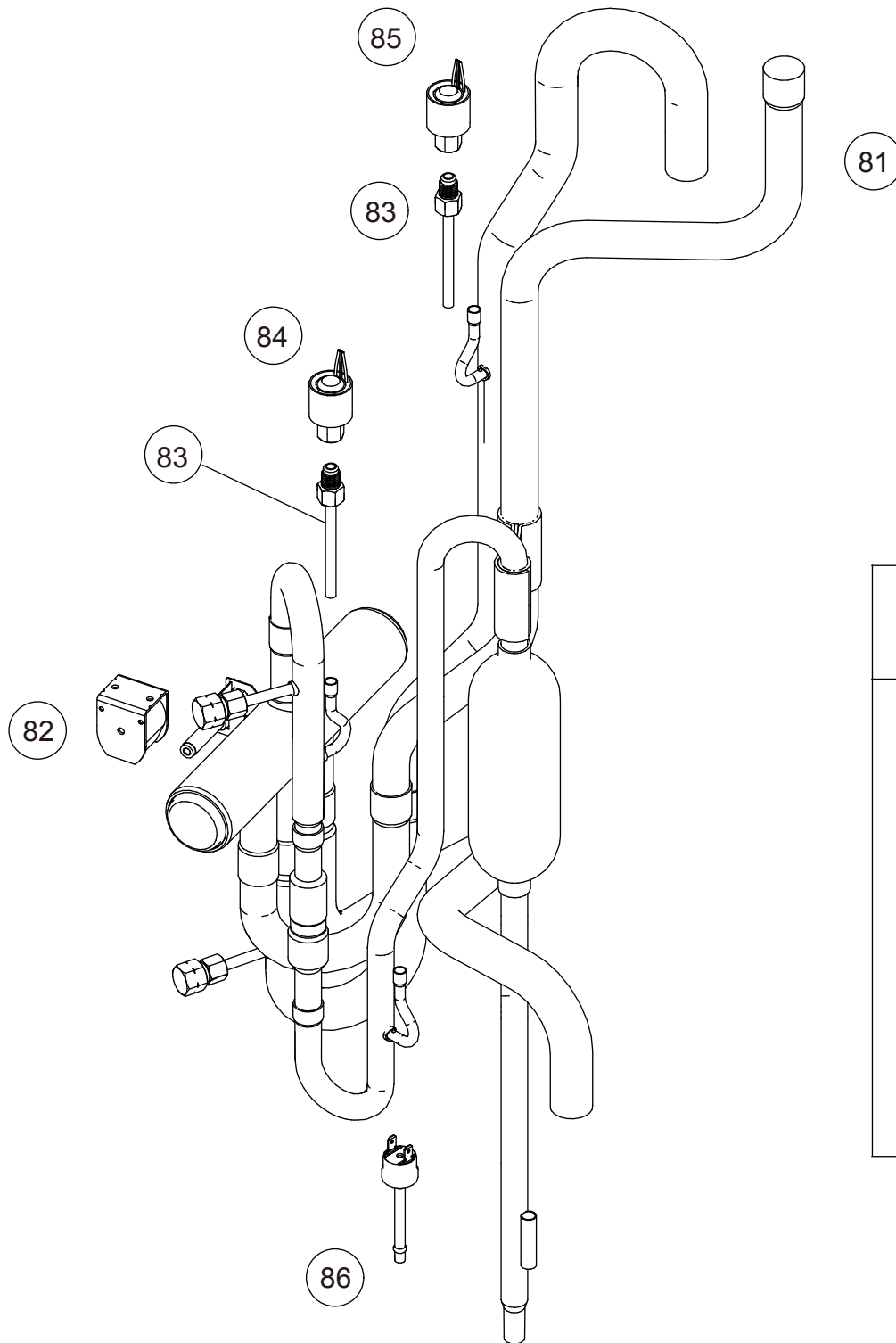
Closing Pipe B

62

61

64

63

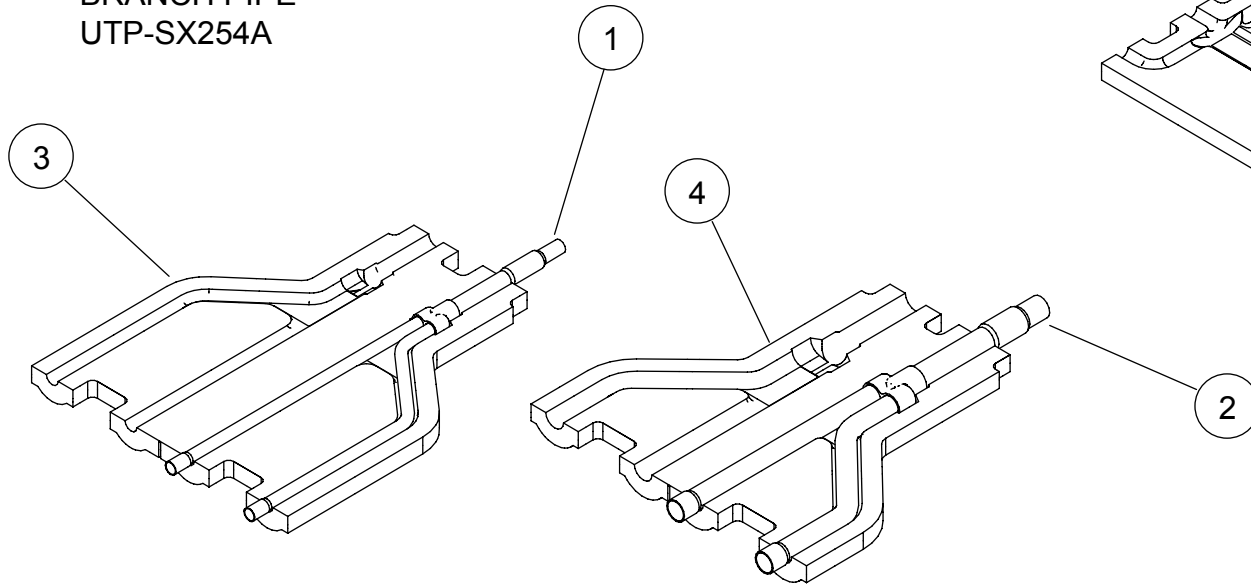


OUTDOOR UNIT
 AOYG90LRLA
 Revision code : A
 Revision code : None

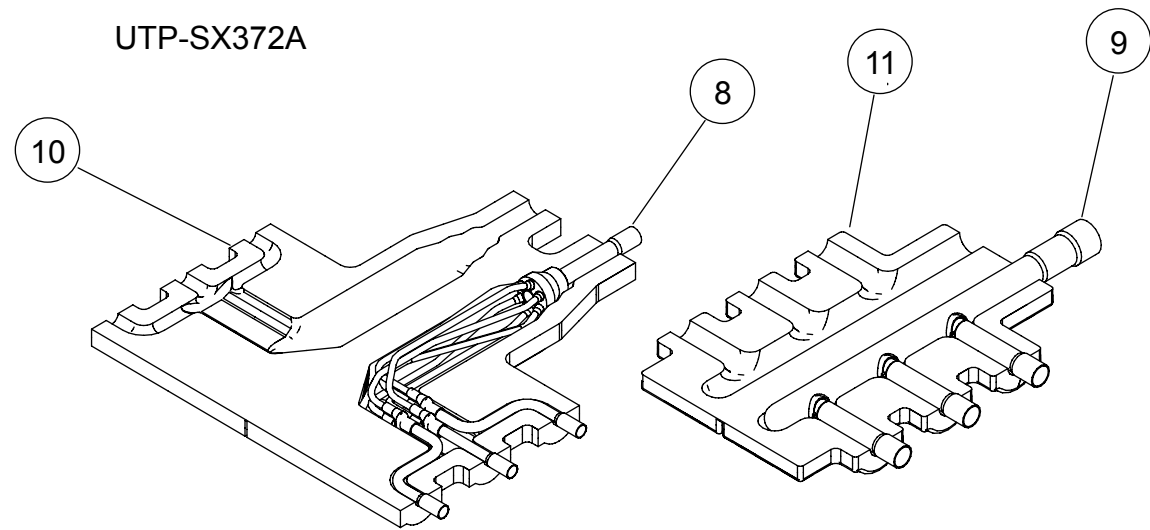
Ref.	Description	Parts number	
		Revision code : None	Revision code : A
81	4-way Valve Sub Assy	9381449040	←
82	Solenoid	9970113017	←
83	Union Joint	9970091018	←
84	High Pressure Sensor	9970178009	←
85	Low Pressure Sensor	9970178016	←
86	Pressure Switch	9900186029	←

PARTS

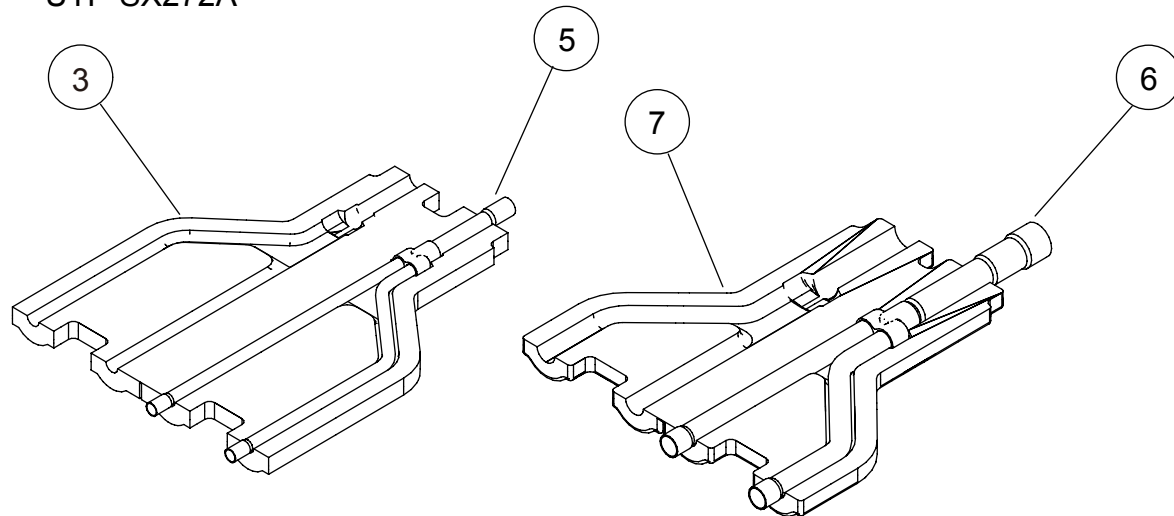
BRANCH PIPE
UTP-SX254A



UTP-SX372A



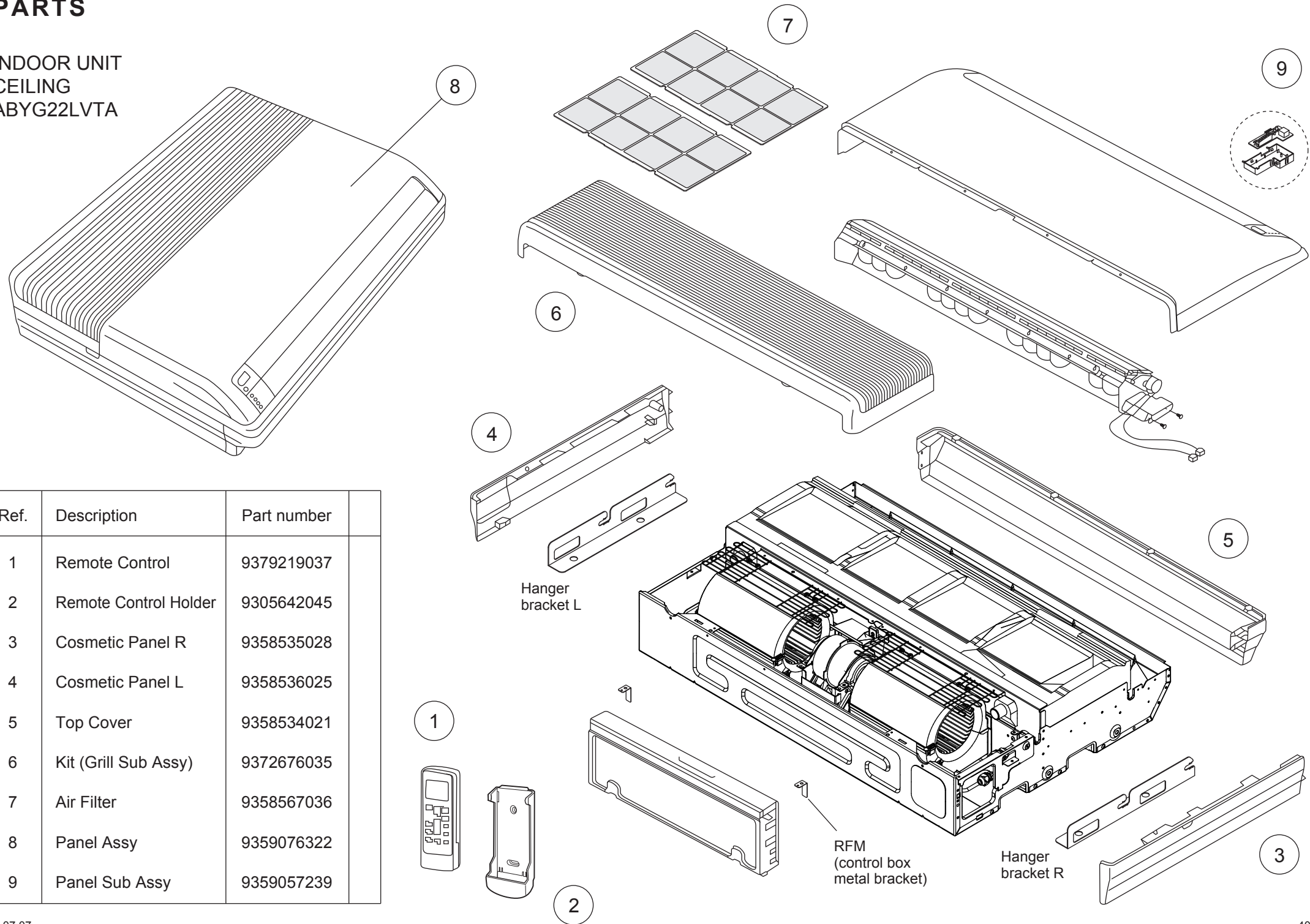
UTP-SX272A



Ref.	Description	Parts number
1	Branch Pipe A Assy	9379102018
2	Branch Pipe B Assy	9379105019
3	Insulation A	9379100014
4	Insulation B	9379101011
5	Branch Pipe A Assy	9379102032
6	Branch Pipe B Assy	9379105033
7	Insulation B	9379101028
8	Branch Pipe A Assy	9379116022
9	Branch Header B Assy	9379108027
10	Insulation A	9379111010
11	Insulation B	9379112024

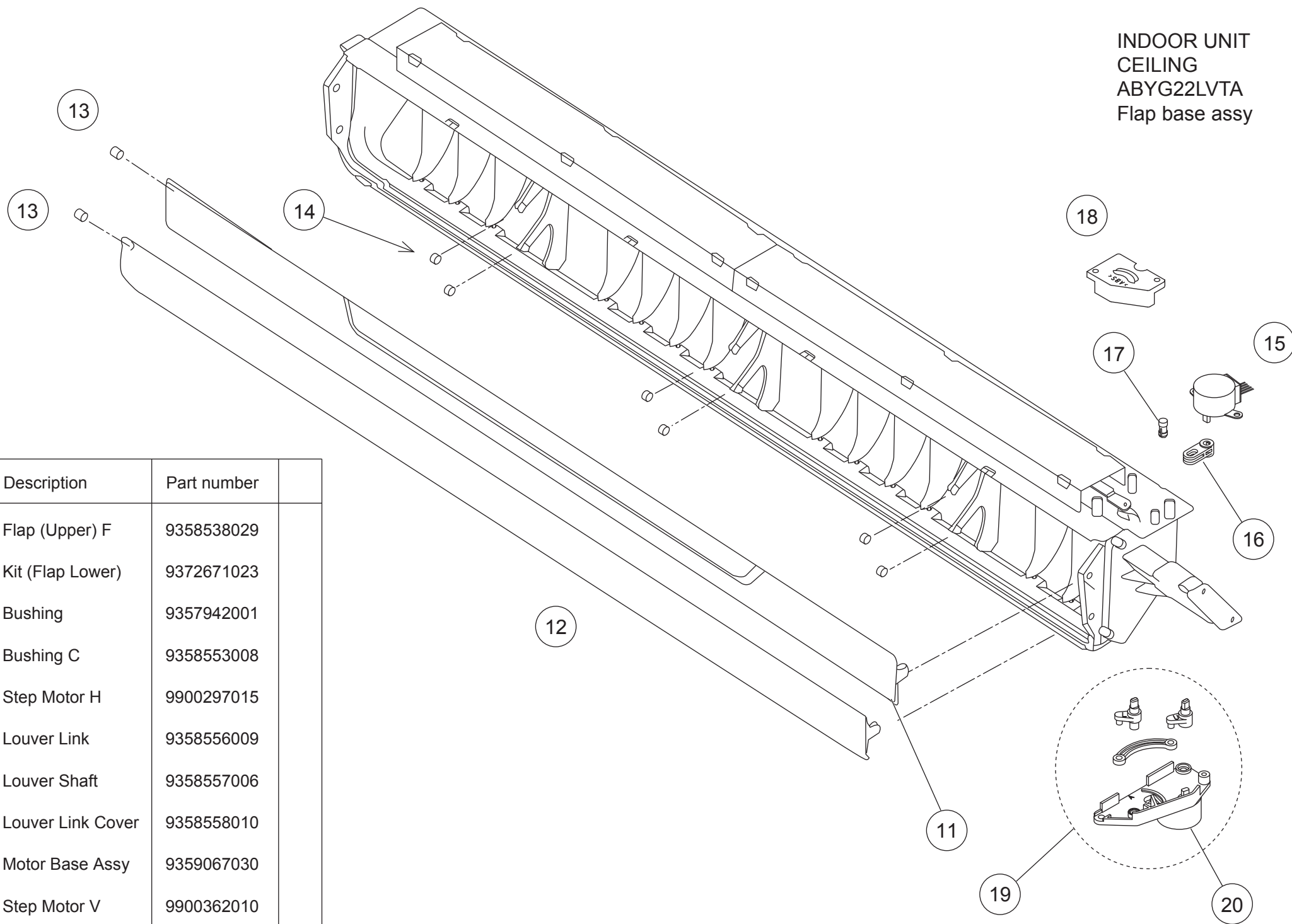
PARTS

INDOOR UNIT
CEILING
ABYG22LVTA



Ref.	Description	Part number
1	Remote Control	9379219037
2	Remote Control Holder	9305642045
3	Cosmetic Panel R	9358535028
4	Cosmetic Panel L	9358536025
5	Top Cover	9358534021
6	Kit (Grill Sub Assy)	9372676035
7	Air Filter	9358567036
8	Panel Assy	9359076322
9	Panel Sub Assy	9359057239

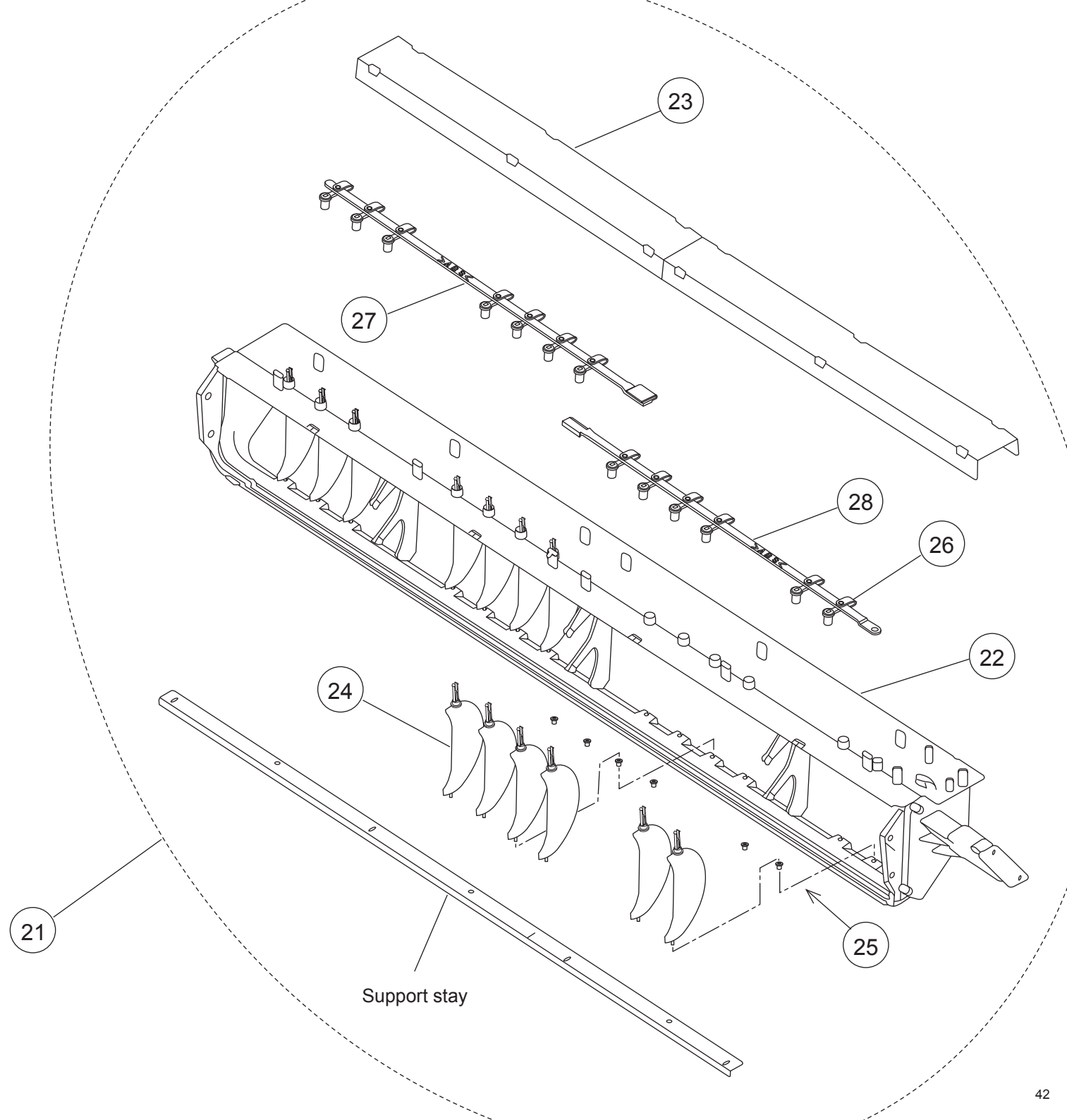
INDOOR UNIT
CEILING
ABYG22LVTA
Flap base assy



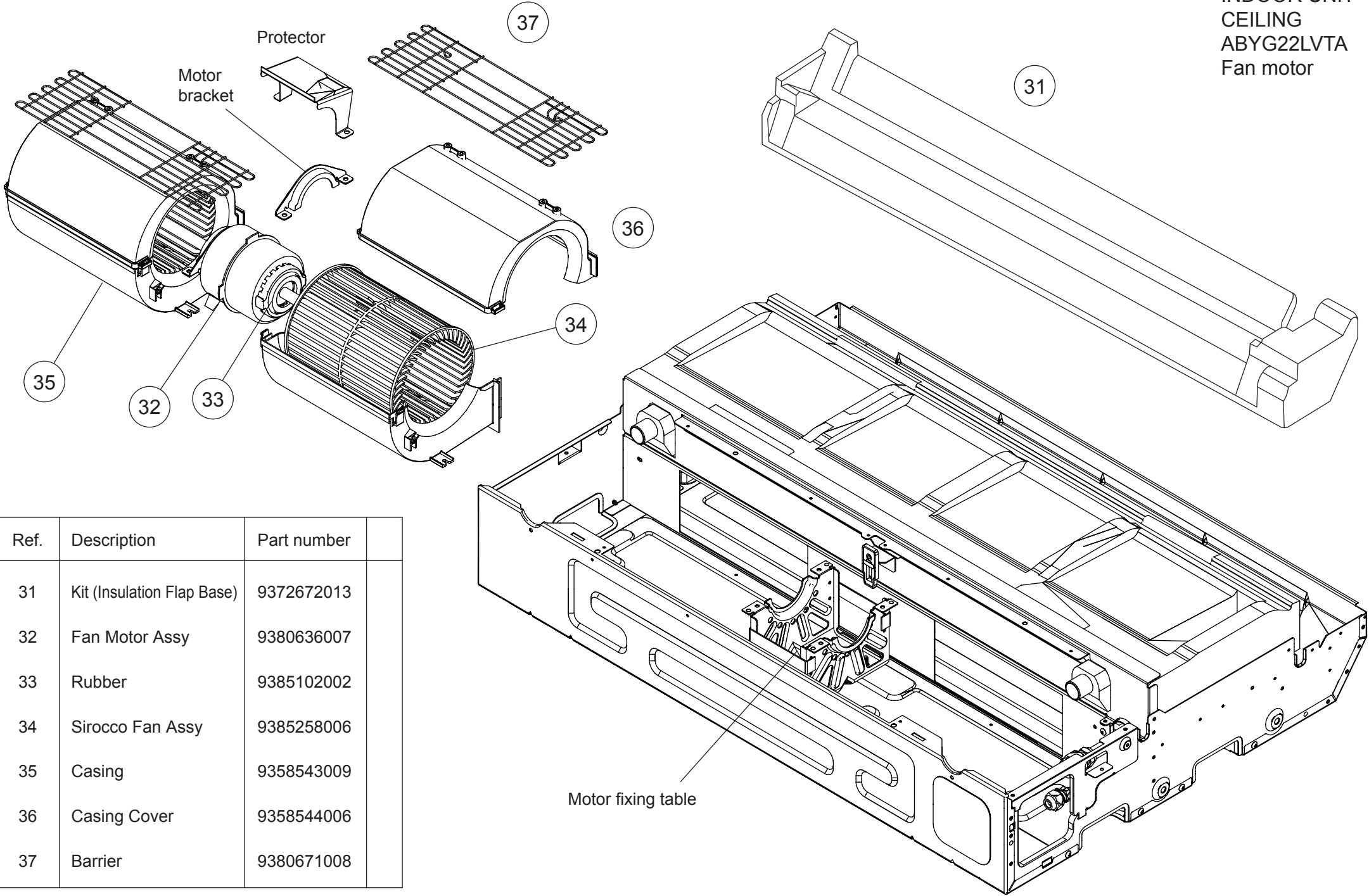
Ref.	Description	Part number
11	Flap (Upper) F	9358538029
12	Kit (Flap Lower)	9372671023
13	Bushing	9357942001
14	Bushing C	9358553008
15	Step Motor H	9900297015
16	Louver Link	9358556009
17	Louver Shaft	9358557006
18	Louver Link Cover	9358558010
19	Motor Base Assy	9359067030
20	Step Motor V	9900362010

INDOOR UNIT
 CEILING
 ABYG22LVTA
 Kit (flap base sub assy)

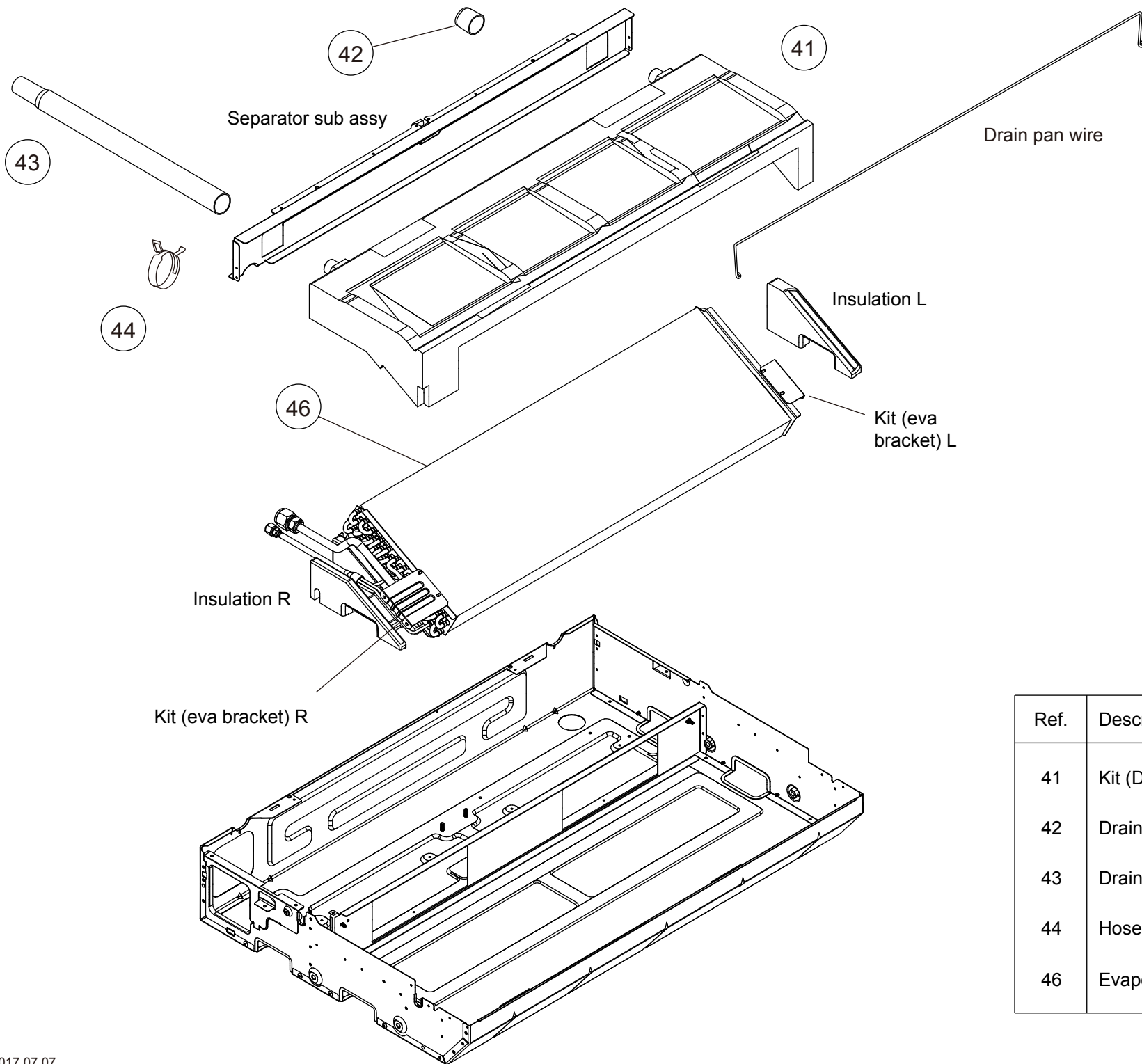
Ref.	Description	Part number
21	Kit (Flap Base Sub Assy)	9372670040
22	Flap Base	9358537022
23	Protect Cover	9358564011
24	Louver	9358561027
25	Bushing B	9358554005
26	Louver Stopper	9358555002
27	Louver Rod	9358559017
28	Motor Rod	9358560013



INDOOR UNIT
 CEILING
 ABYG22LVTA
 Fan motor



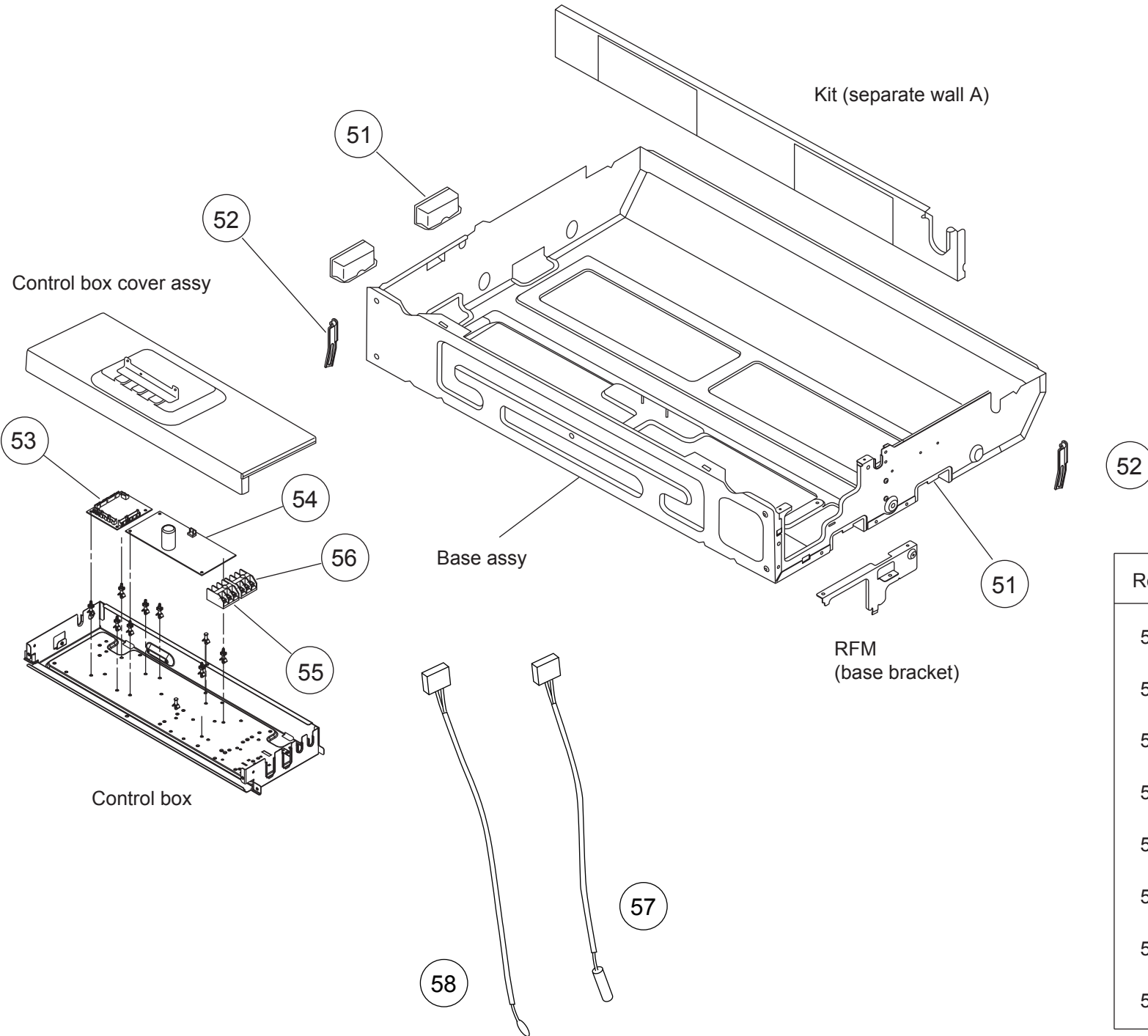
Ref.	Description	Part number
31	Kit (Insulation Flap Base)	9372672013
32	Fan Motor Assy	9380636007
33	Rubber	9385102002
34	Sirocco Fan Assy	9385258006
35	Casing	9358543009
36	Casing Cover	9358544006
37	Barrier	9380671008



INDOOR UNIT
 CEILING
 ABYG22LVTA
 Evaporator
 Drain pan

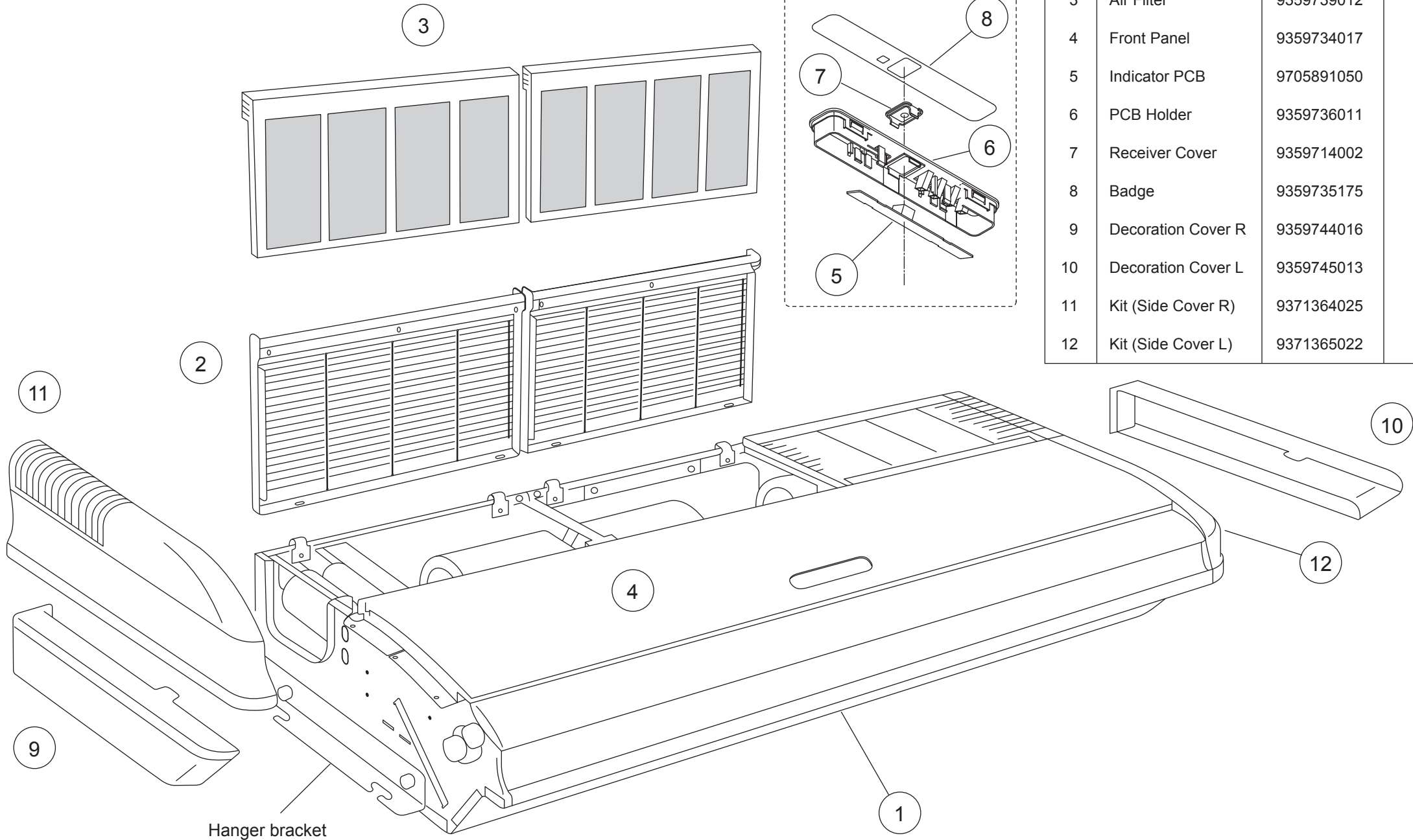
Ref.	Description	Part number
41	Kit (Drain Pan Sub Assy)	9372669013
42	Drain Cap	9358746004
43	Drain Hose Assy	9377785060
44	Hose Band	9379757003
46	Evaporator Sub Assy	9359051268

INDOOR UNIT
 CEILING
 ABYG22LVTA
 Base sub assy
 Control box



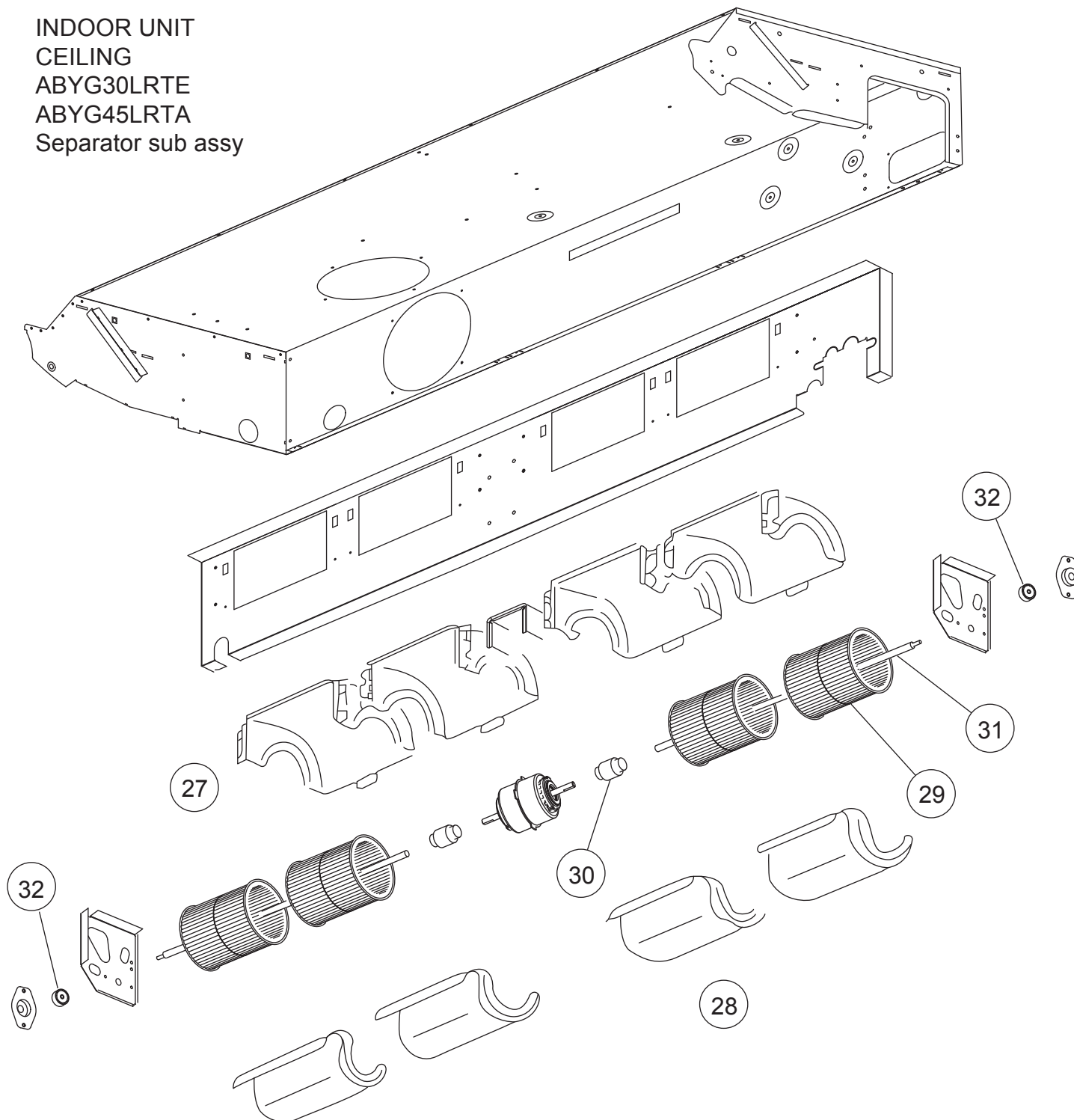
Ref.	Description	Part number
51	Cap	9358563007
52	Arm	9358565001
53	Main PCB	9709245507
54	Power Supply PCB	9707398274
55	Terminal 3P	9306489045
56	Terminal 3P	9703345012
57	Pipe Thermistor	9900022020
58	Room Thermistor	9703299087

INDOOR UNIT
 CEILING
 ABYG30LRTE
 ABYG45LRTA

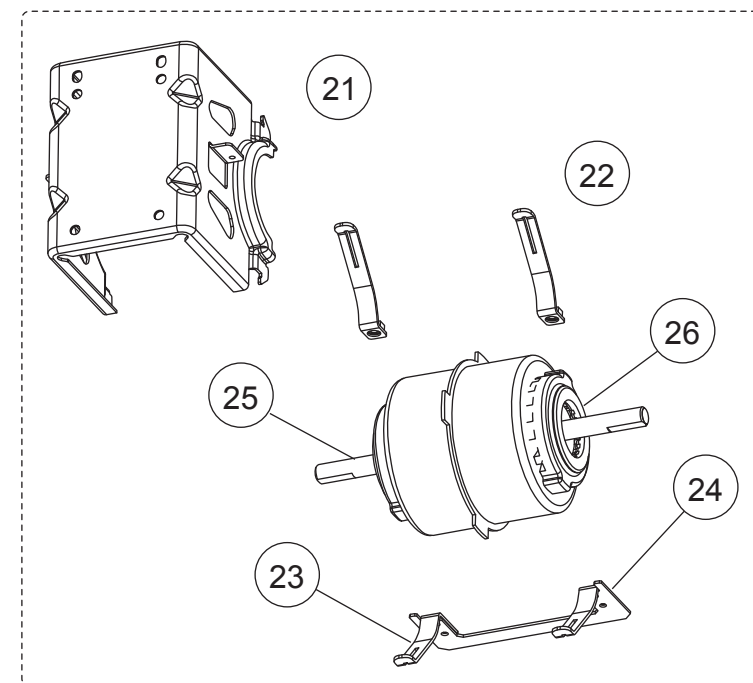


Ref.	Description	Part number
1	Top Cover	9359737018
2	Intake Grille	9359738015
3	Air Filter	9359739012
4	Front Panel	9359734017
5	Indicator PCB	9705891050
6	PCB Holder	9359736011
7	Receiver Cover	9359714002
8	Badge	9359735175
9	Decoration Cover R	9359744016
10	Decoration Cover L	9359745013
11	Kit (Side Cover R)	9371364025
12	Kit (Side Cover L)	9371365022

INDOOR UNIT
 CEILING
 ABYG30LRTE
 ABYG45LRTA
 Separator sub assy

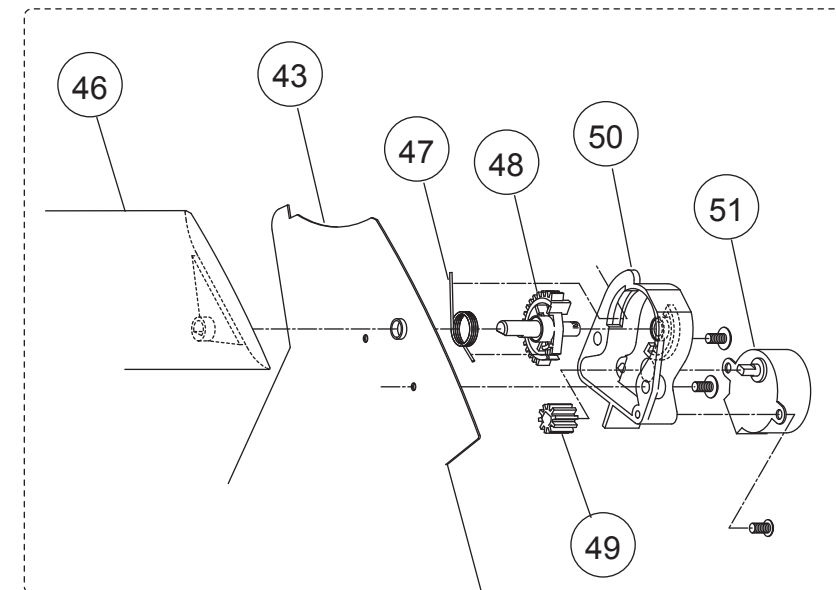
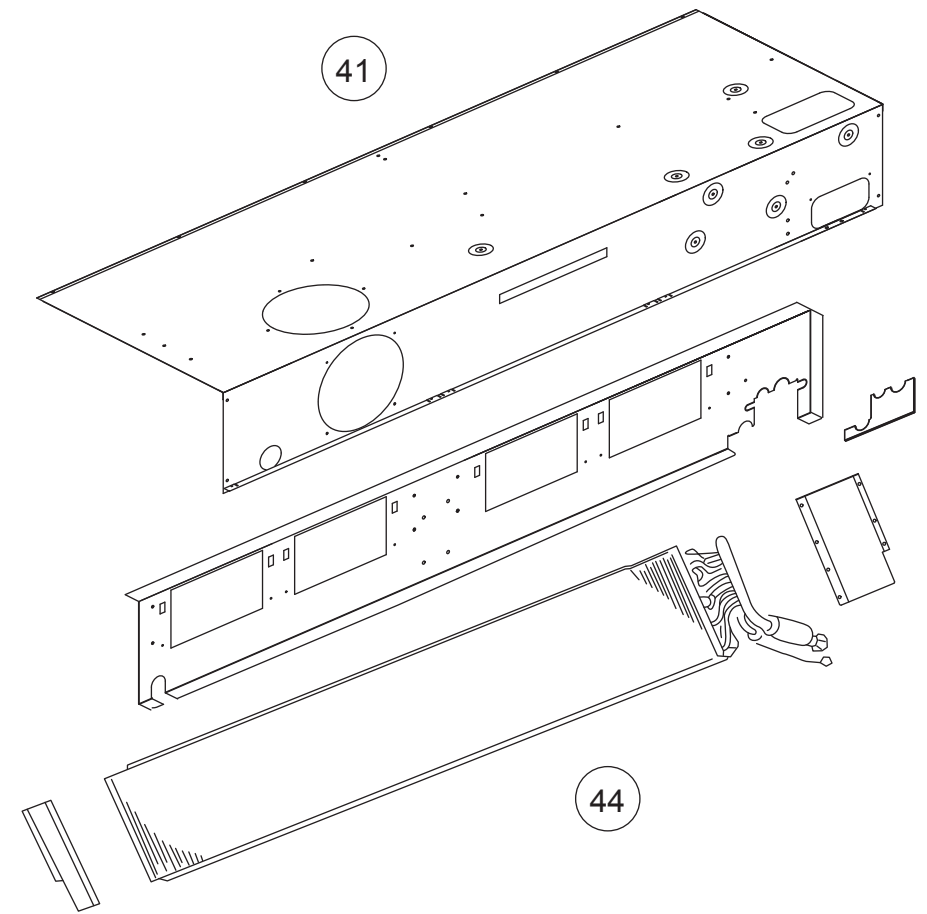
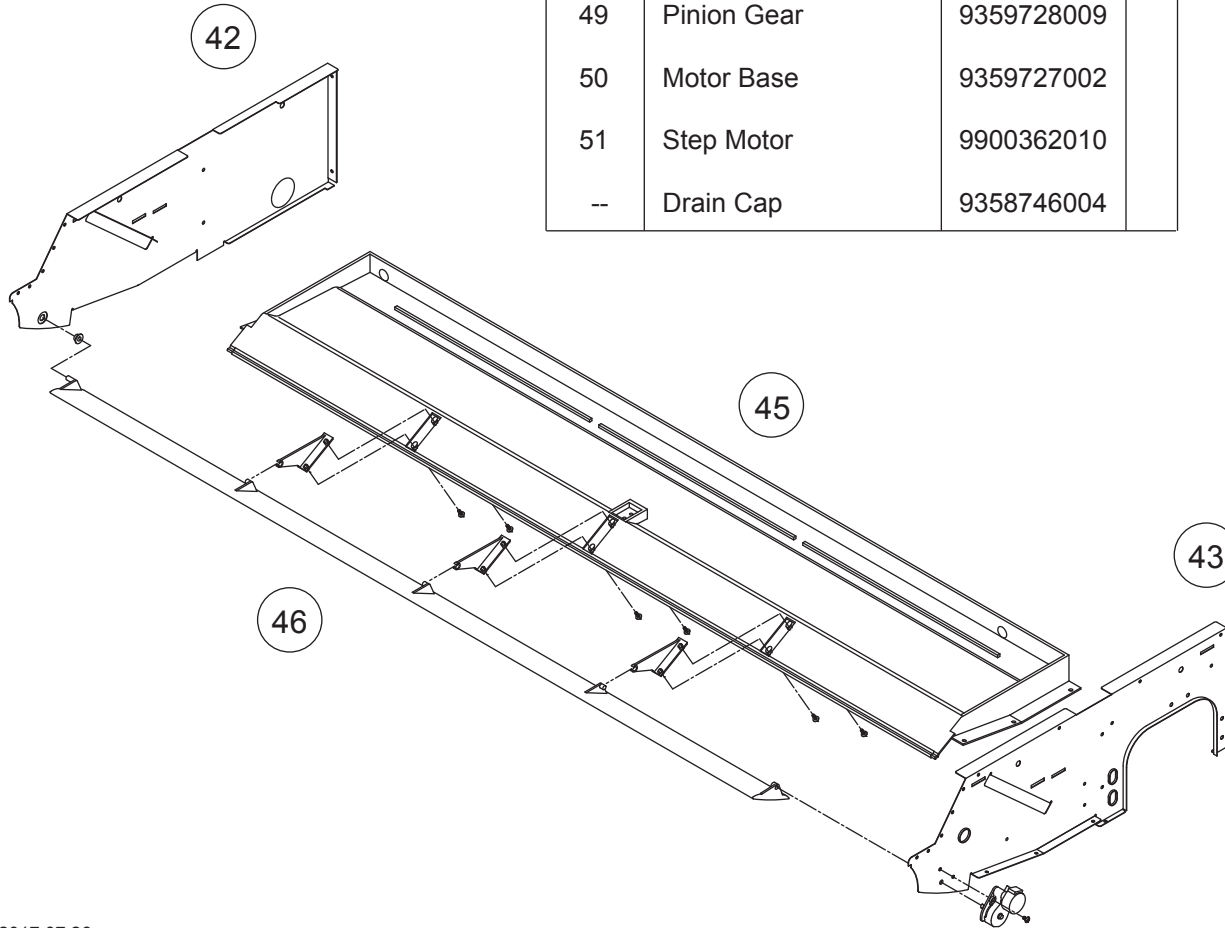


Ref.	Description	Part number
21	Motor Mount	9377999016
22	Motor Band A Assy	9374647019
23	Motor band B	9374648023
24	RFM Motor Band	9378000018
25	Fan Motor Assy	9603286019
26	Rubber (Vibration Proof)	9385102002
27	Casing	9359704003
28	Kit (Cover Casing) Sub Assy	9371367019
29	Sirocco Fan Assy	9359701002
30	Joint Assy	9378038011
31	Shaft	9359707004
32	Bearing B Assy	9357921006



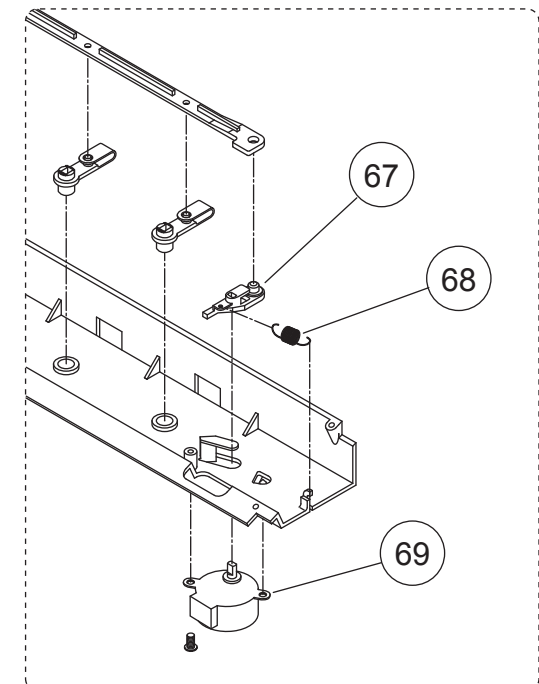
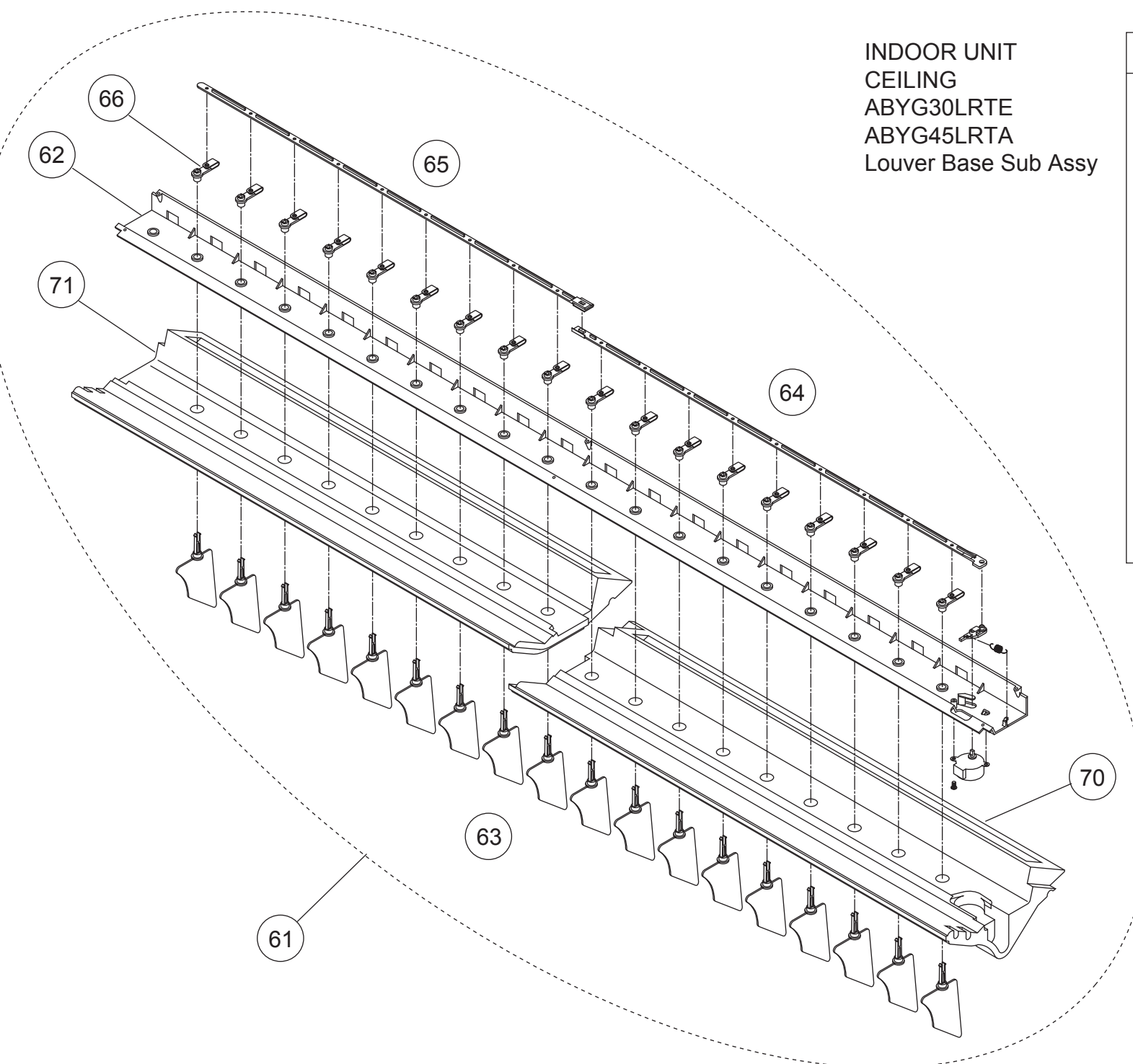
INDOOR UNIT
 CEILING
 ABYG30LRTE
 ABYG45LRTA
 Evaporator
 Drain pan
 Motor base sub assy

Ref.	Description	Part number
41	Kit (Base Sub Assy)	9371360010
42	Panel Left Sub Assy	9360427014
43	Kit (Panel Right Assy)	9371361017
44	Evaporator Sub Assy	9360428264
45	Drain Pan Sub Assy	9360429032
46	Flap Assy	9359731016
47	Flap Spring	9359730002
48	Sector Gear	9359729006
49	Pinion Gear	9359728009
50	Motor Base	9359727002
51	Step Motor	9900362010
--	Drain Cap	9358746004

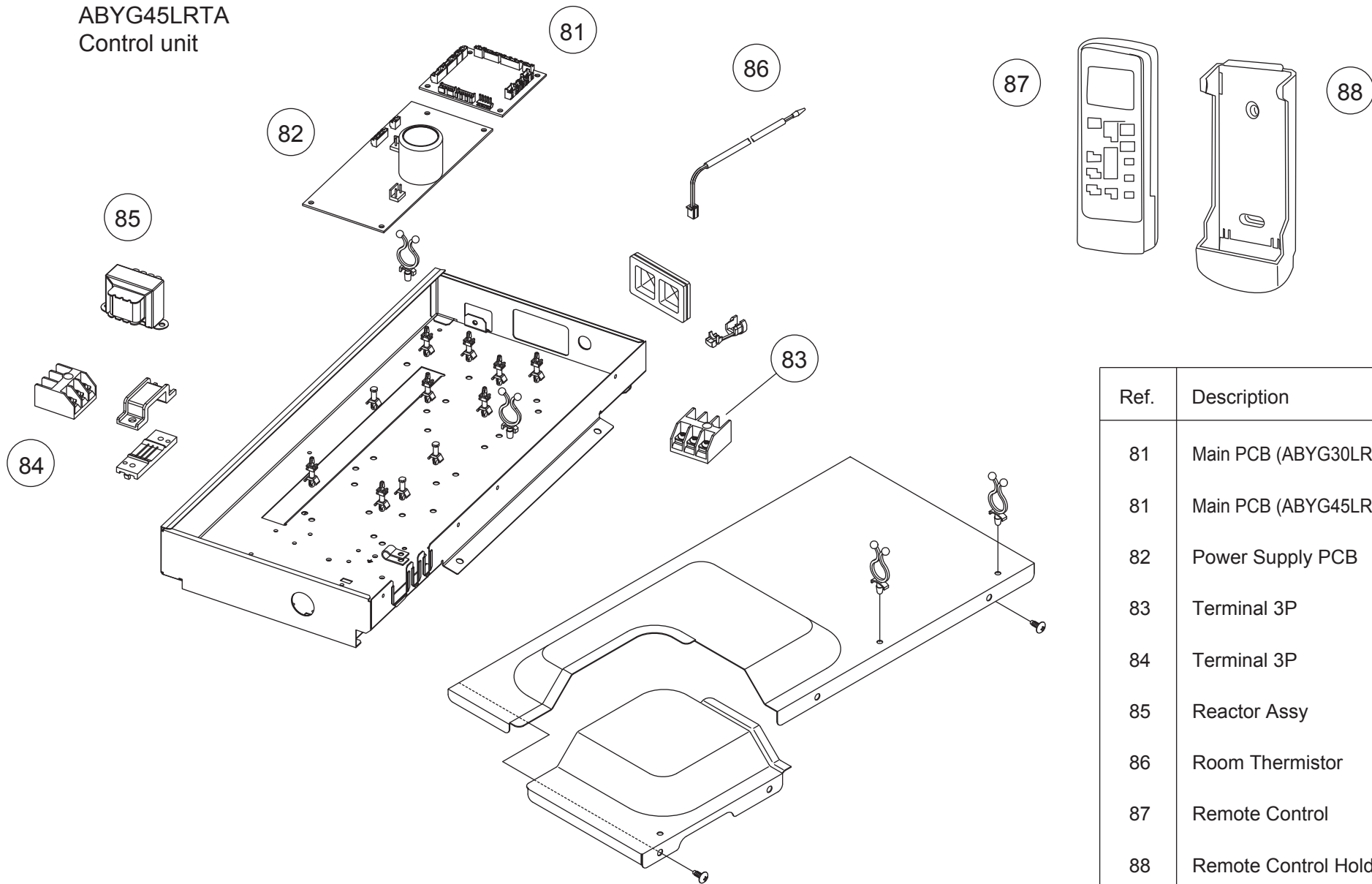


INDOOR UNIT
 CEILING
 ABYG30LRTE
 ABYG45LRTA
 Louver Base Sub Assy

Ref.	Description	Part number
61	Louver Base Sub Assy	9360432049
62	kit (Louver Base) SA	9371369013
63	Louver	9359719014
64	Motor Rod	9359723004
65	Louver Rod	9359725008
66	Louver Stopper	9359724001
67	Louver Link	9359726005
68	Louver Spring	9359720003
69	Step Motor H	9900297015
70	Louver Insulation R	9359721000
71	Louver Insulation L	9359722007



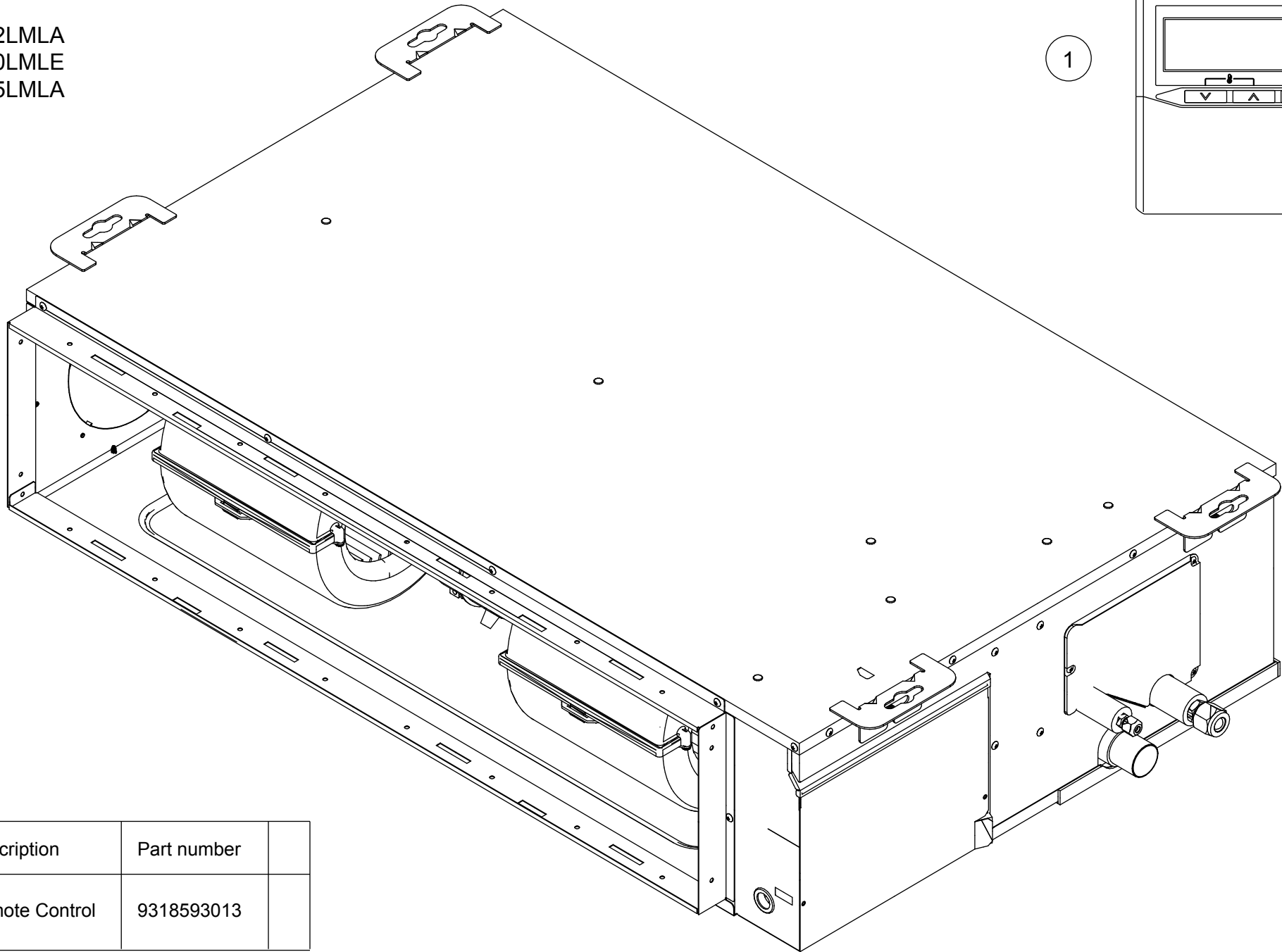
INDOOR UNIT
 CEILING
 ABYG30LRTE
 ABYG45LRTA
 Control unit



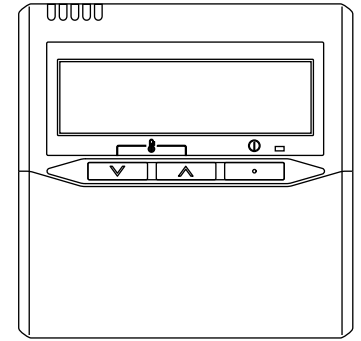
Ref.	Description	Part number
81	Main PCB (ABYG30LRTE)	9710621154
81	Main PCB (ABYG45LRTA)	9710621291
82	Power Supply PCB	9707398342
83	Terminal 3P	9703345012
84	Terminal 3P	9306489045
85	Reactor Assy	9707457018
86	Room Thermistor	9703299025
87	Remote Control	9379219037
88	Remote Control Holder	9305642045
--	Pipe Thermistor	9900949013

INDOOR UNIT
DUCT
ARYG22LMLA
ARYG30LMLE
ARYG45LMLA

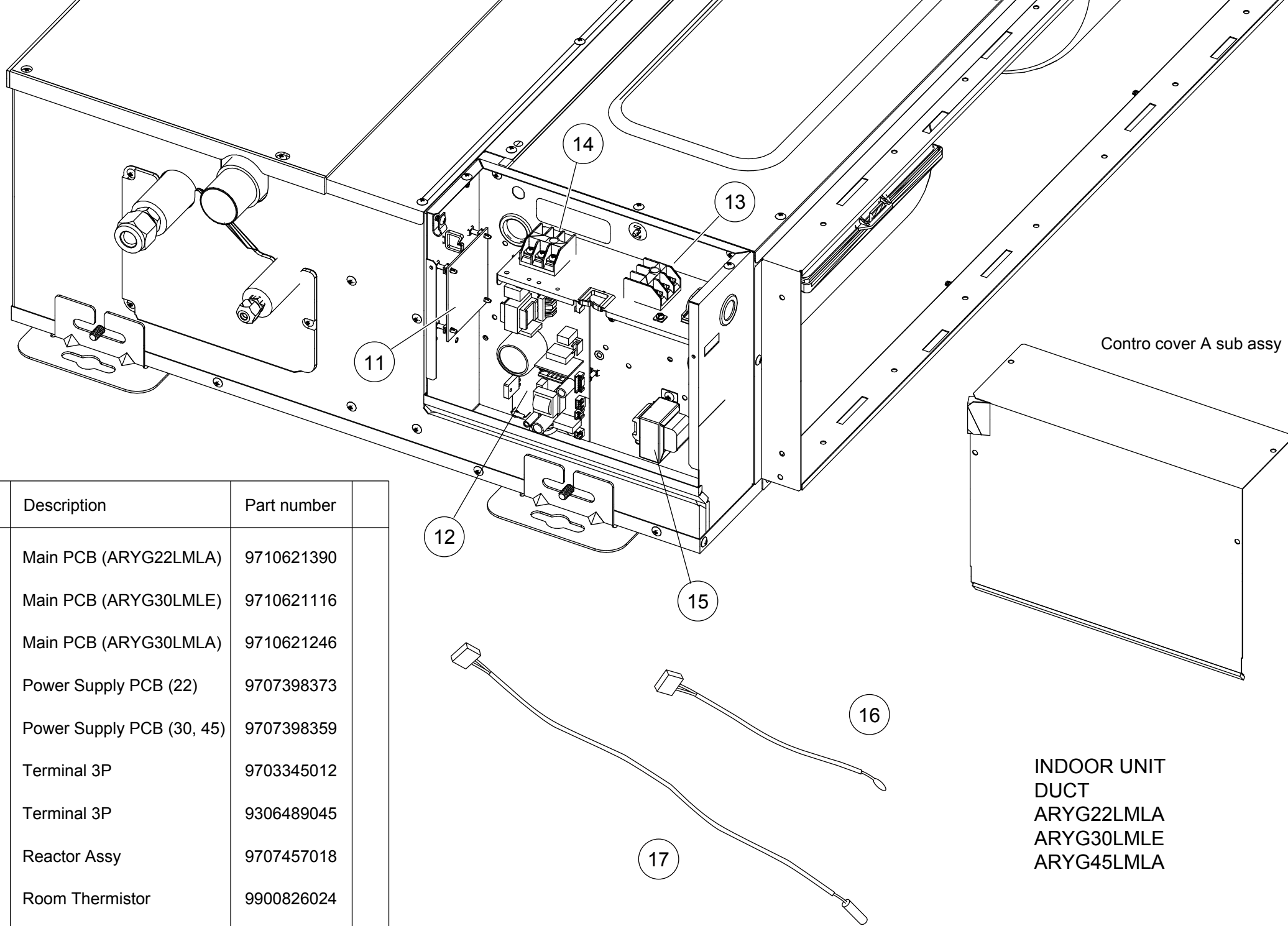
Hook metal



1



Ref.	Description	Part number	
1	Remote Control	9318593013	



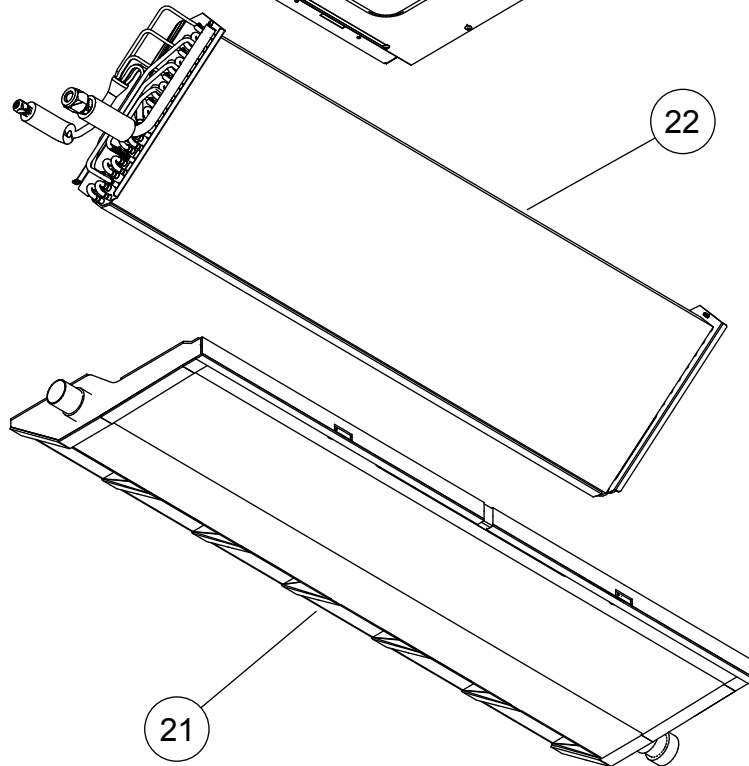
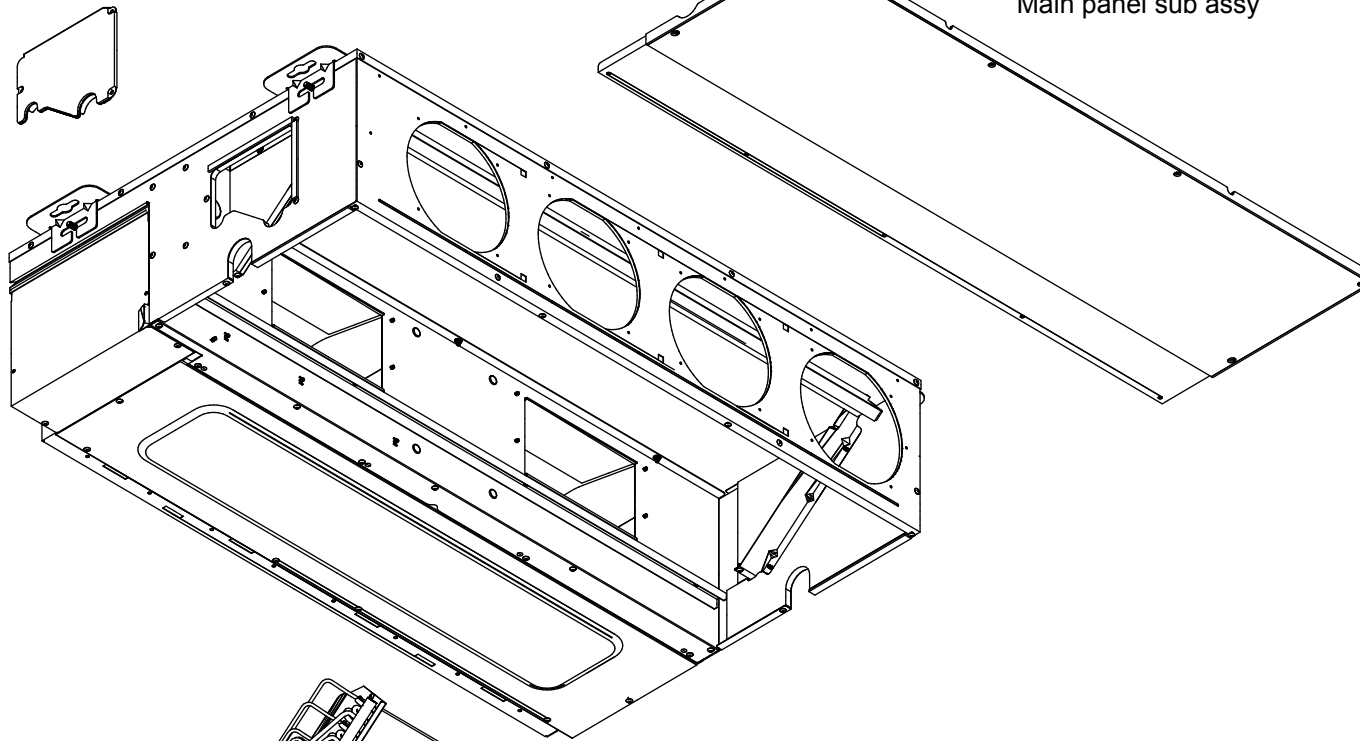
Ref.	Description	Part number
11	Main PCB (ARYG22LMLA)	9710621390
11	Main PCB (ARYG30LMLE)	9710621116
11	Main PCB (ARYG30LMLA)	9710621246
12	Power Supply PCB (22)	9707398373
12	Power Supply PCB (30, 45)	9707398359
13	Terminal 3P	9703345012
14	Terminal 3P	9306489045
15	Reactor Assy	9707457018
16	Room Thermistor	9900826024
17	Pipe Thermistor	9900814014

INDOOR UNIT
 DUCT
 ARYG22LMLA
 ARYG30LMLE
 ARYG45LMLA

Bracket pipe sub assy

Main panel sub assy

INDOOR UNIT
DUCT
ARYG22LMLA
ARYG30LMLE
ARYG45LMLA

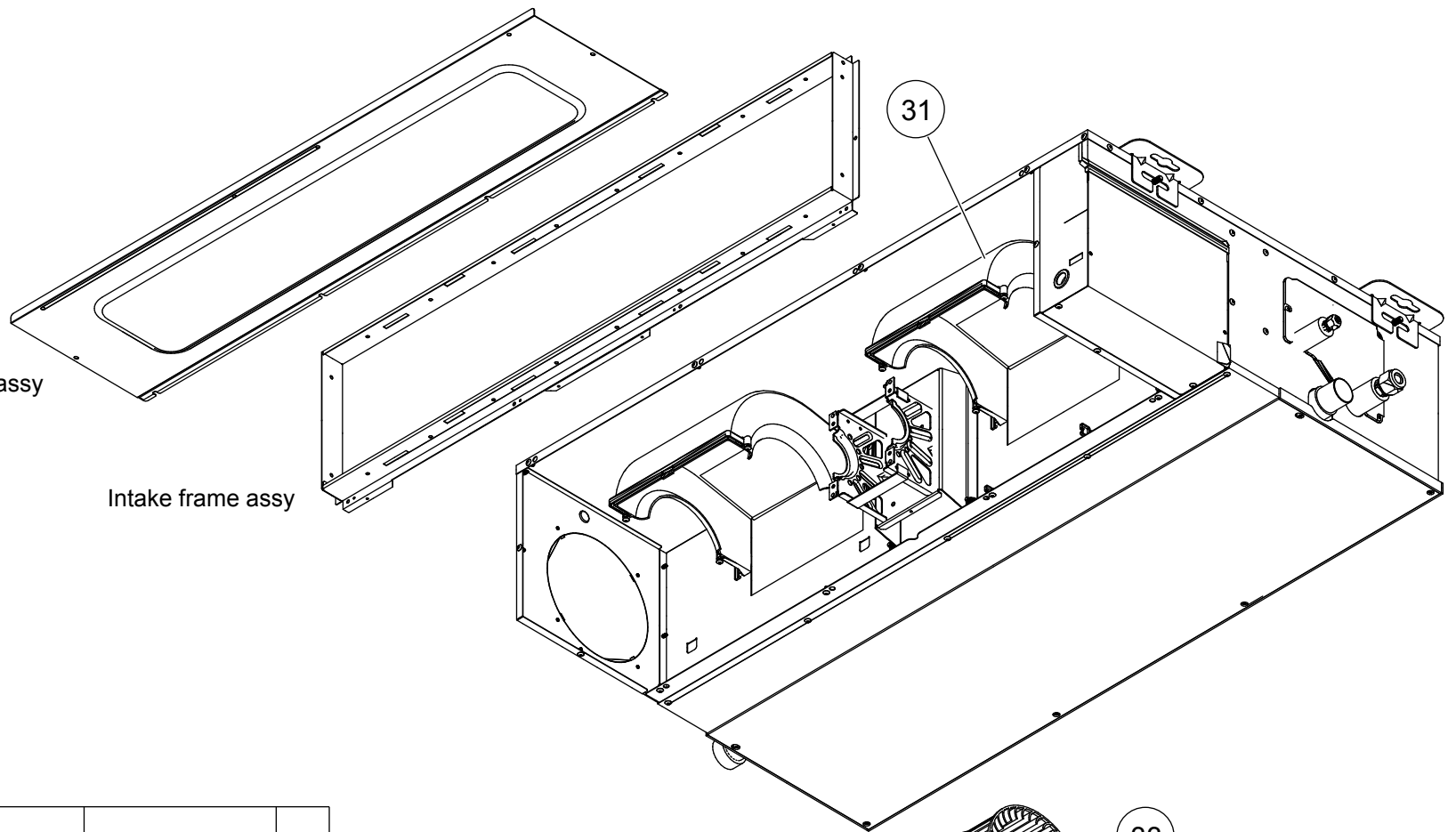


Ref.	Description	Part number	
21	Drain Pan Sub Assy	9374513017	
22	Evaporator Total Assy (ARYG22LMLA)	9374517268	
22	Evaporator Total Assy (ARYG30LMLE)	9374517312	
22	Evaporator Total Assy (ARYG45LMLA)	9374517251	

INDOOR UNIT
DUCT
ARYG22LMLA

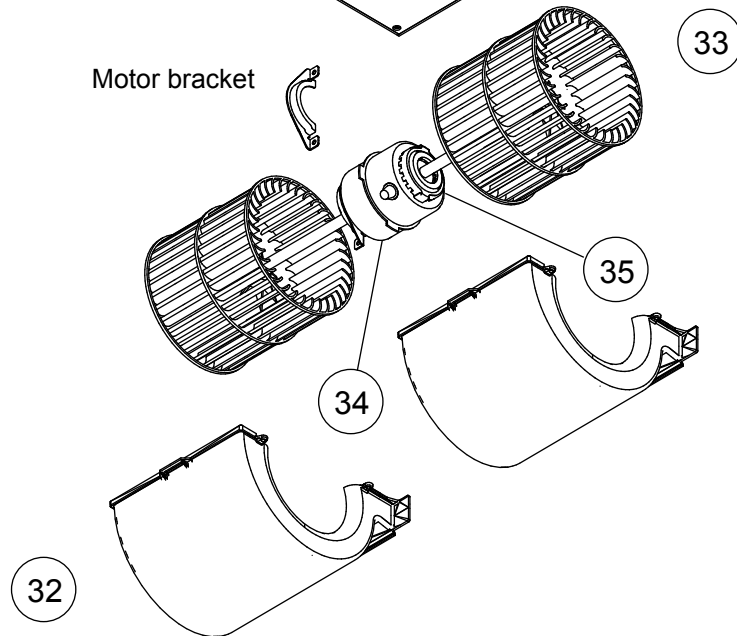
Intake cover sub assy

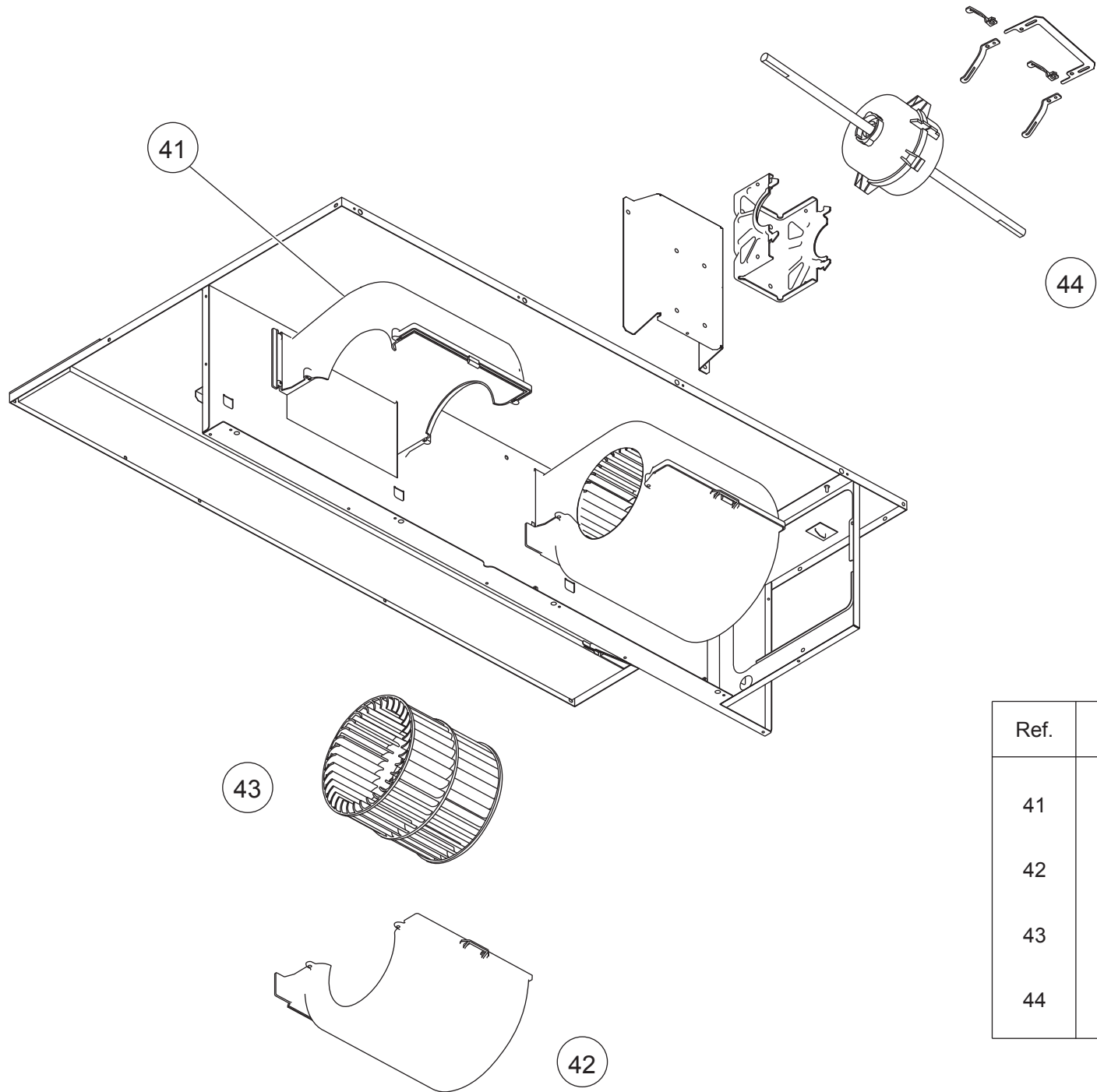
Intake frame assy



Ref.	Description	Part number	
31	Casing A	9374233021	
32	Casing B	9374234028	
33	Sirocco Fan Assy	9356531060	
34	Fan Motor Assy	9380718031	
35	Rubber	9385102002	

Motor bracket



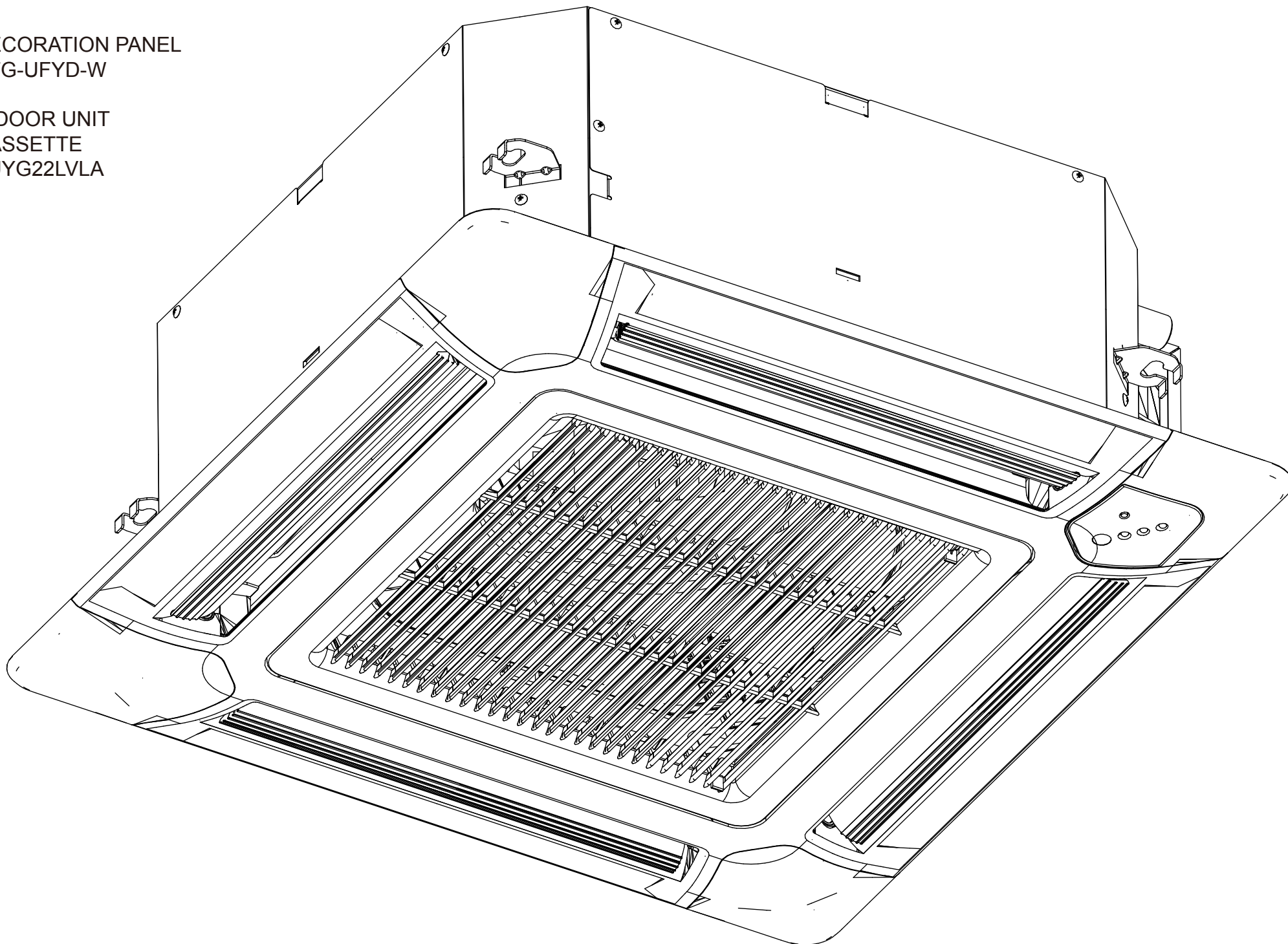


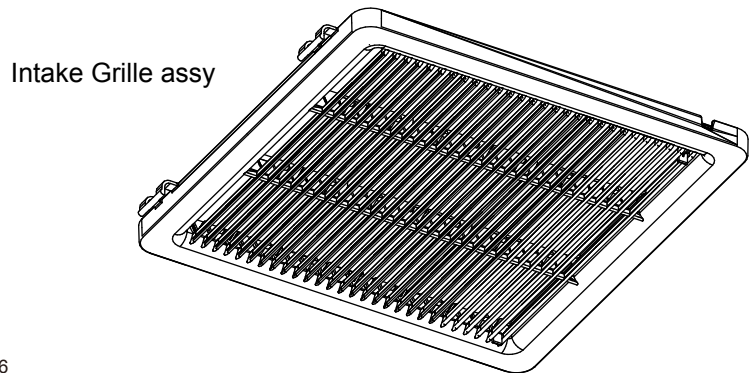
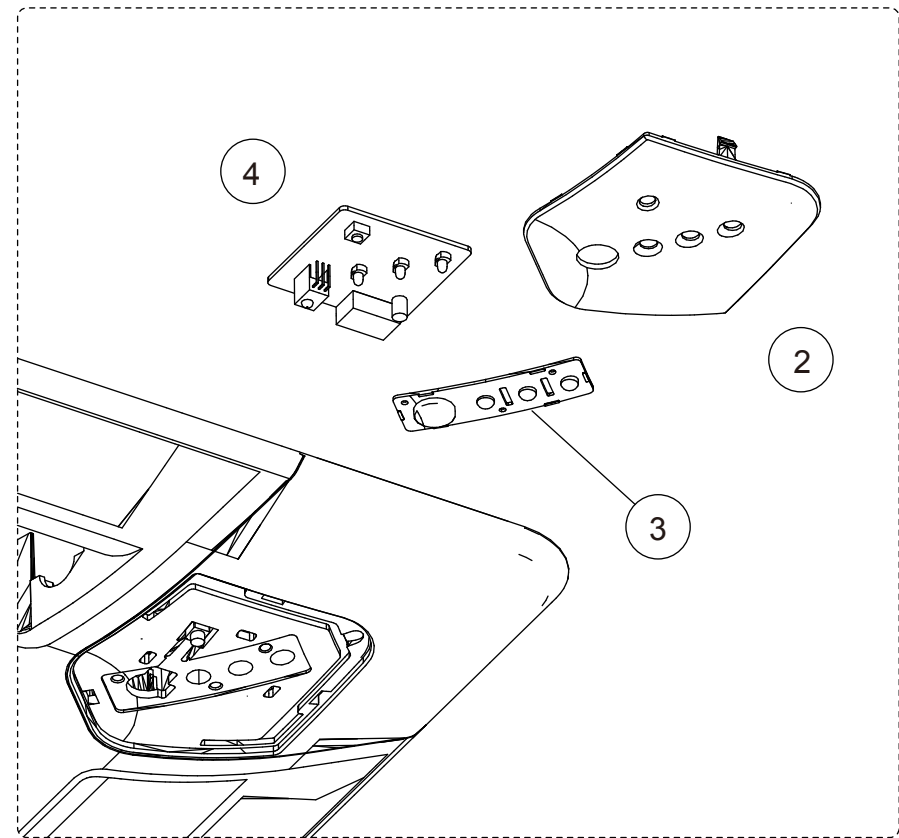
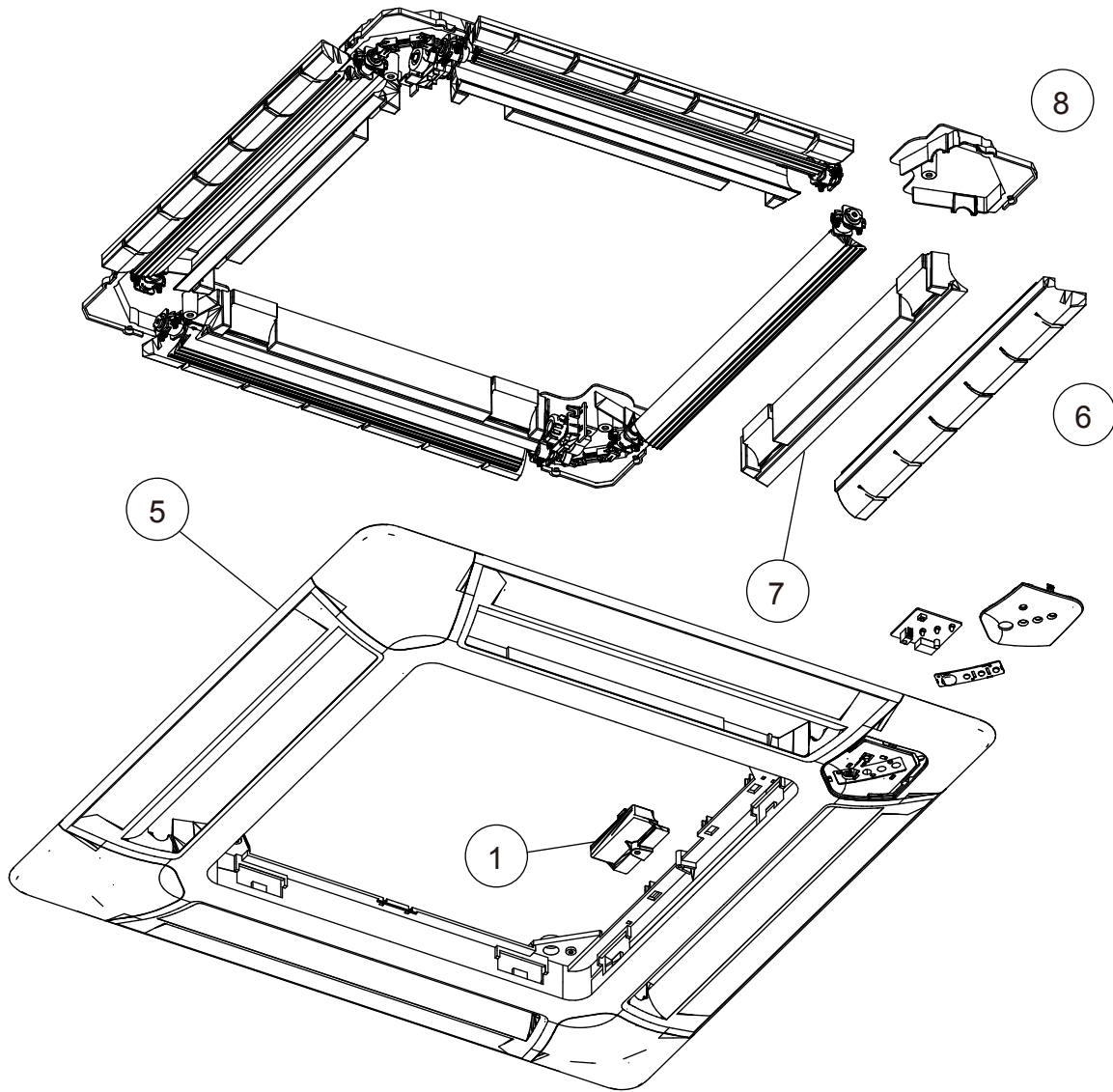
INDOOR UNIT
 DUCT
 ARYG30LMLE
 ARYG45LMLA

Ref.	Description	Part number
41	Casing A	9374233021
42	Casing B	9374234028
43	Sirocco Fan Assy	9356531046
44	Fan Motor	9603213015

DECORATION PANEL
UTG-UFYD-W

INDOOR UNIT
CASSETTE
AUYG22LVLA

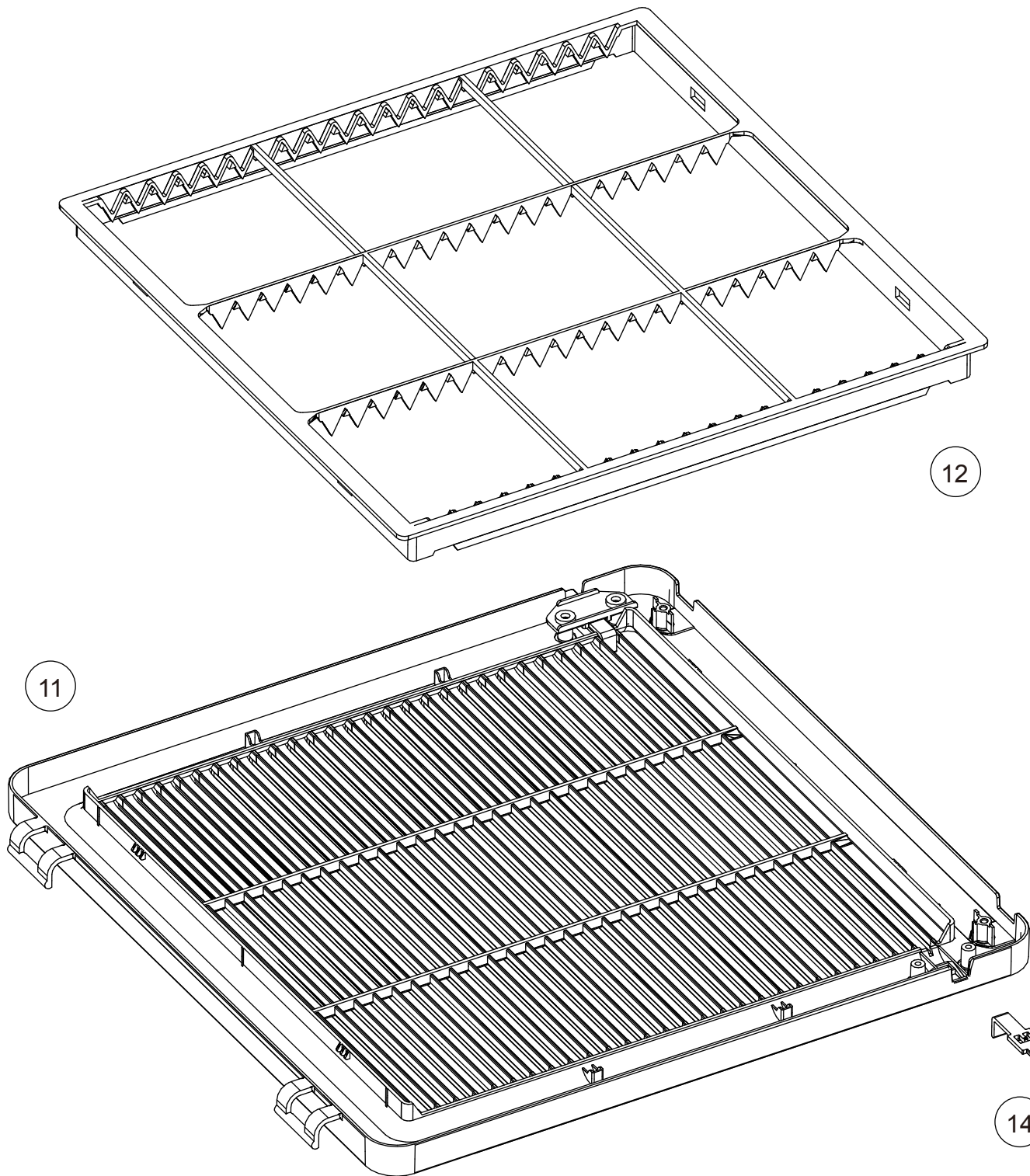




DECORATION PANEL
UTG-UFYD-W

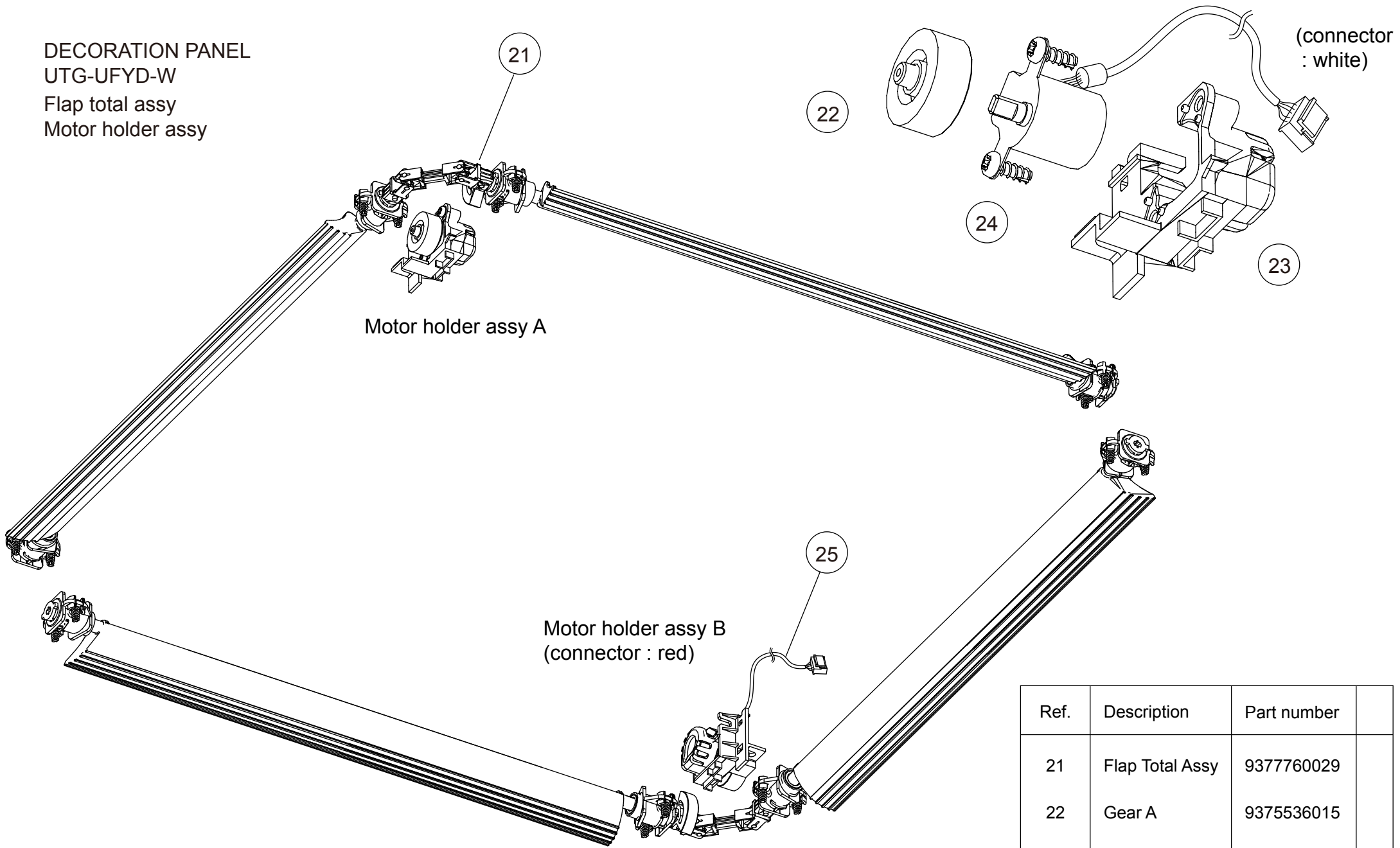
Ref.	Description	Part number
1	Connector Cover	9375549015
2	Display Panel	9375529123
3	Receiver Window	9375547011
4	Indicator PCB	9707371031
5	Decoration Panel	9375525040
6	Panel Insulation A	9375526016
7	Panel Insulation B	9375527013
8	Panel Cover	9375530013

DECORATION PANEL
 UTG-UFYD-W
 Intake grille assy



Ref.	Description	Part number	
11	Intake Grille	9375531027	
12	Long Life Filter	9375533014	
13	Hook Bracket	9375546014	
14	Grille Hook	9375532024	

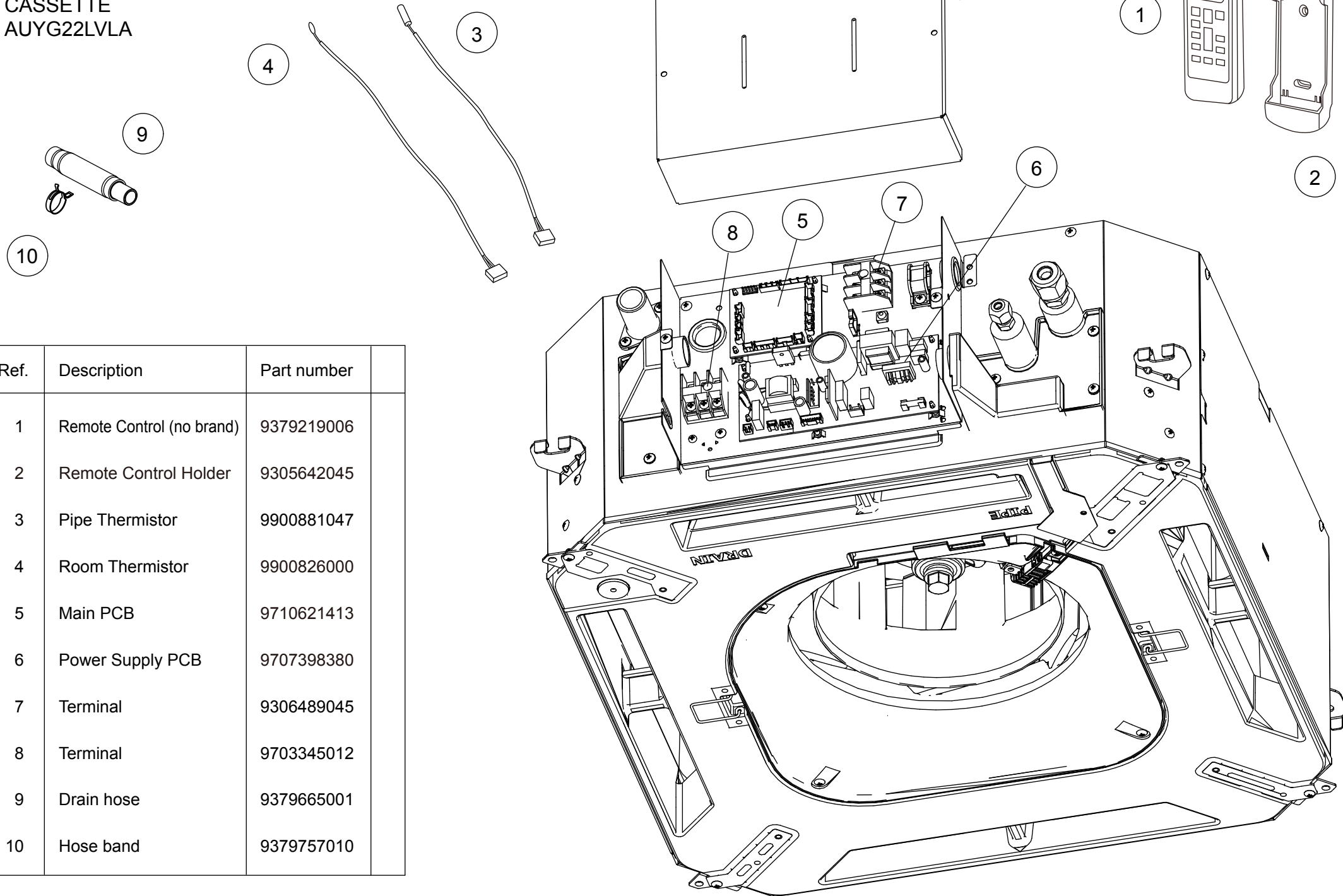
DECORATION PANEL
 UTG-UFYD-W
 Flap total assy
 Motor holder assy



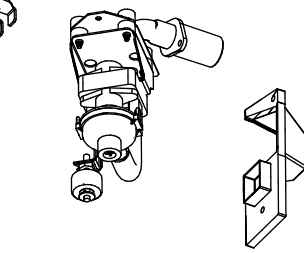
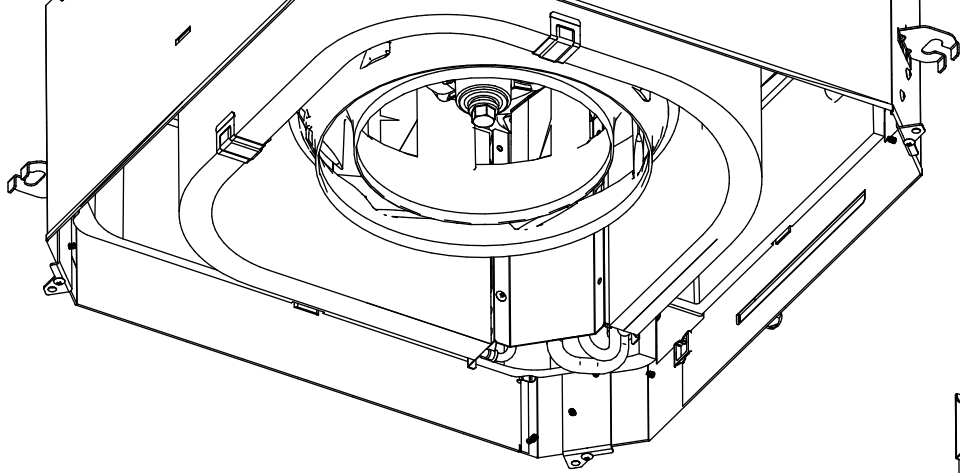
Ref.	Description	Part number
21	Flap Total Assy	9377760029
22	Gear A	9375536015
23	Motor Holder	9375535018
24	Step Motor	9900139070
25	Step Motor	9900139087

INDOOR UNIT
CASSETTE
AUYG22LVLA

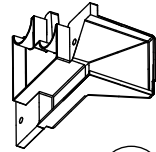
Control Box Cover



Ref.	Description	Part number
1	Remote Control (no brand)	9379219006
2	Remote Control Holder	9305642045
3	Pipe Thermistor	9900881047
4	Room Thermistor	9900826000
5	Main PCB	9710621413
6	Power Supply PCB	9707398380
7	Terminal	9306489045
8	Terminal	9703345012
9	Drain hose	9379665001
10	Hose band	9379757010

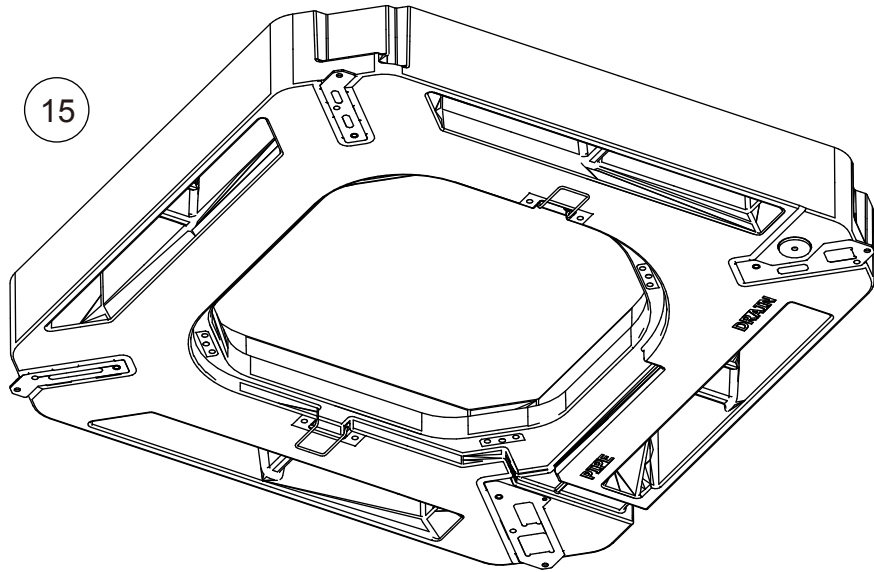


11

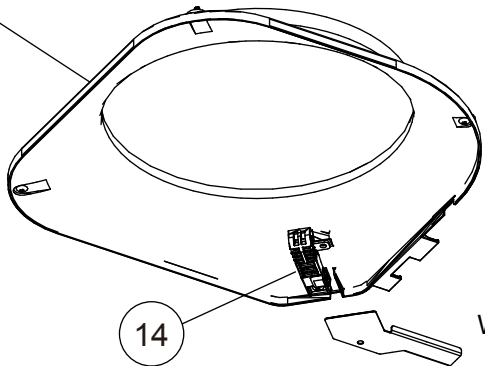


12

15



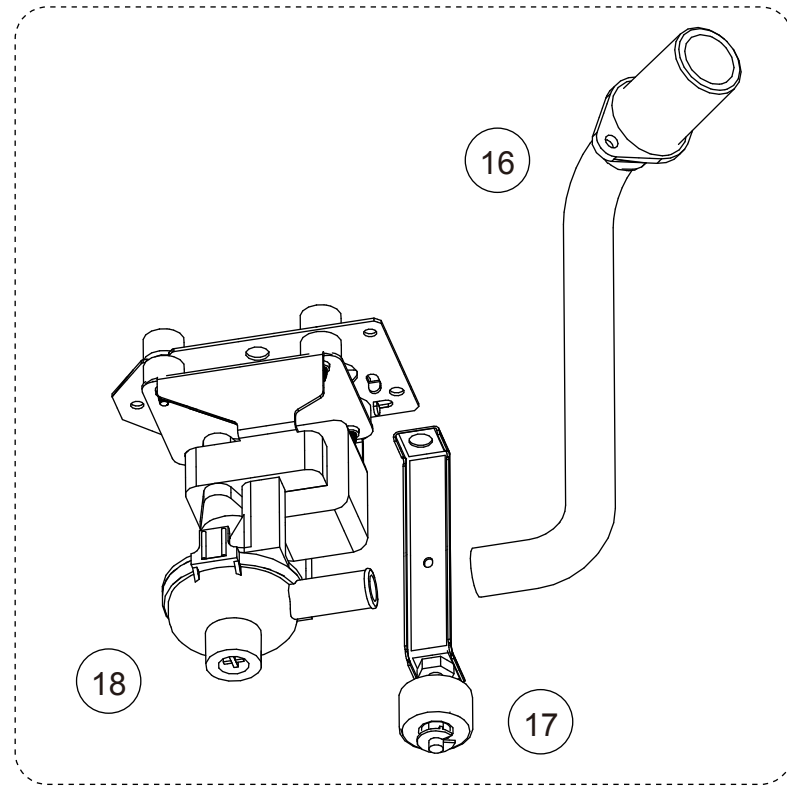
13



14

Wire holder

INDOOR UNIT
CASSETTE
AUYG22LVLA



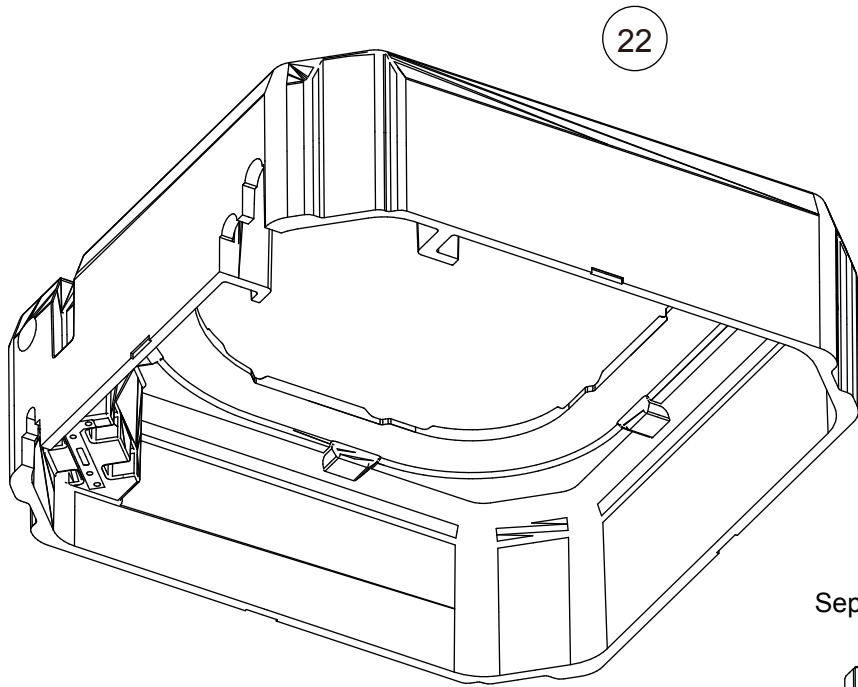
16

18

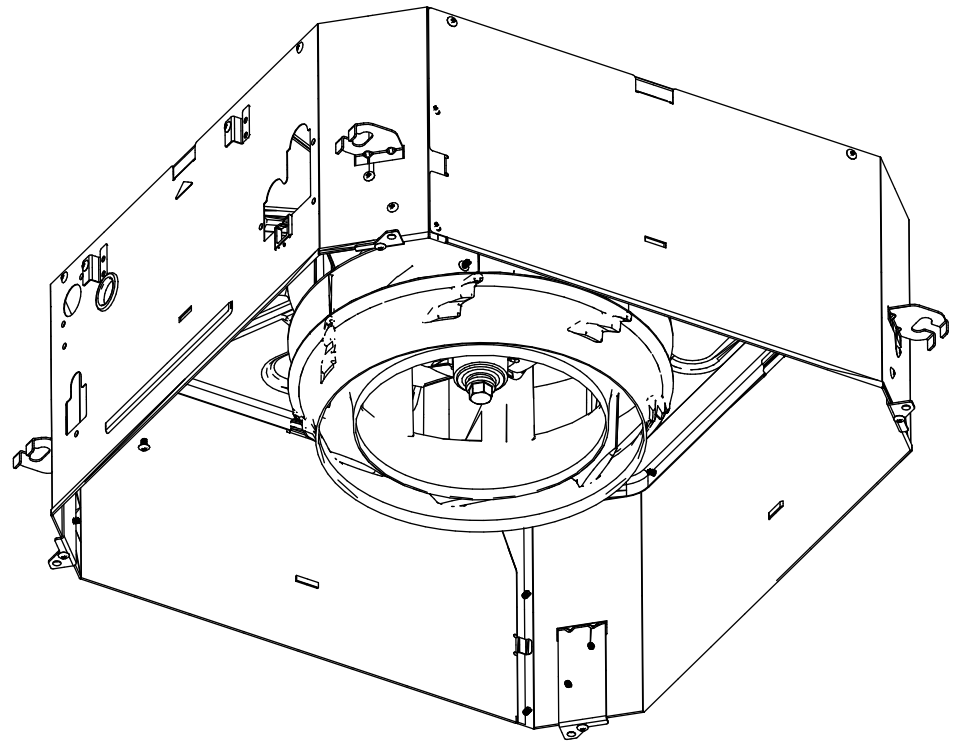
17

Ref.	Description	Part number
11	Wire Cover	9375516017
12	Pipe Cover	9375515010
13	Bellmouth	9375503017
14	Thermistor Holder	9375477011
15	Drain Pan Sub Assy	9377765017
16	Drain Port Sub Assy	9375718015
17	Float Switch Sub Assy	9375721039
18	Drain Pump Sub Assy	9375717025

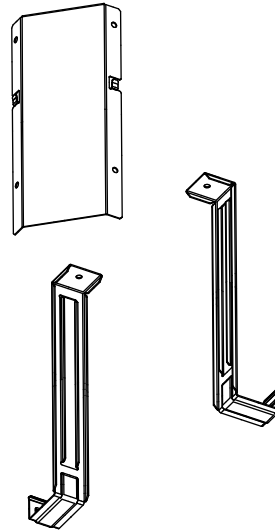
INDOOR UNIT
CASSETTE
AUYG22LVLA



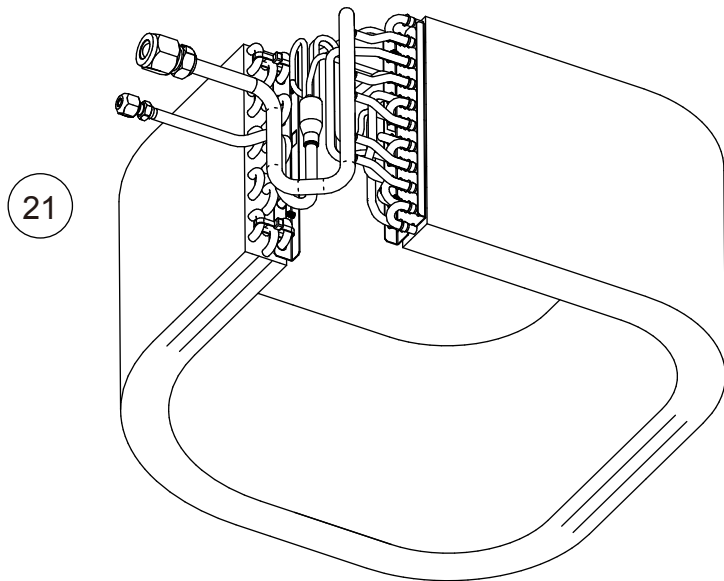
22



Separate wall



Evaporator
holder 3 row

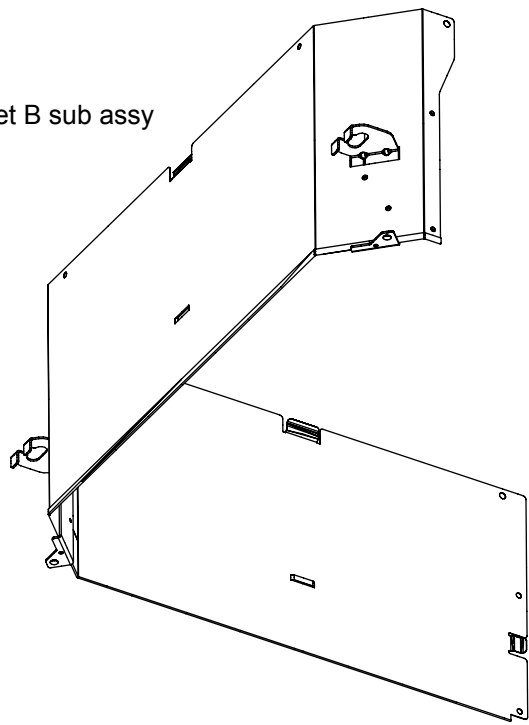


21

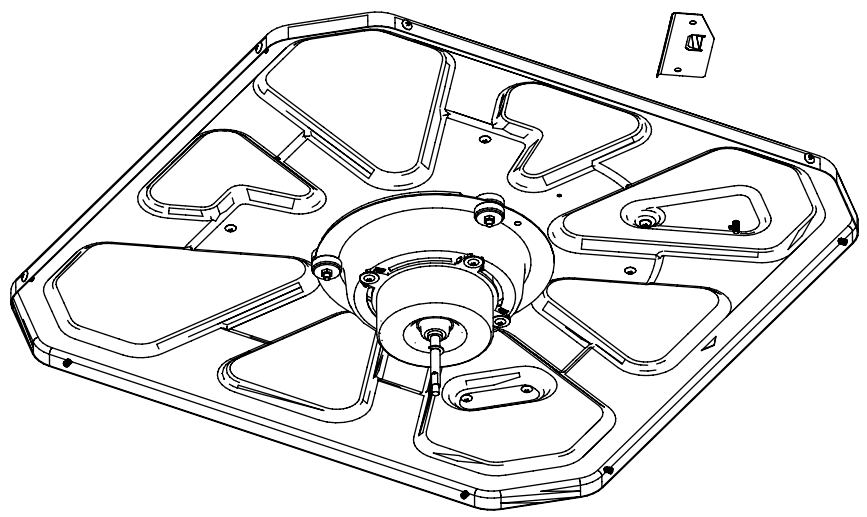
Ref.	Description	Part number
21	Evaporator Total Assy	9377914019
22	Insulation Box Sub Assy	9377764058

INDOOR UNIT
CASSETTE
AUYG22LVLA

Cabinet B sub assy

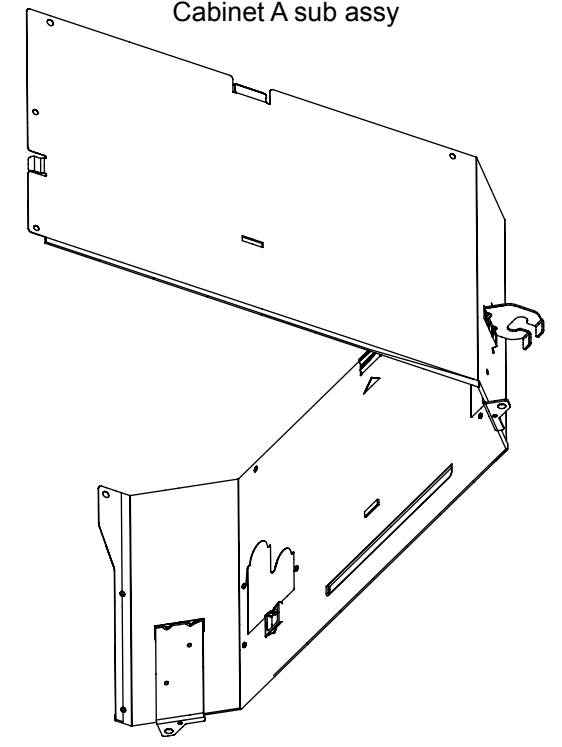


Top plate assy



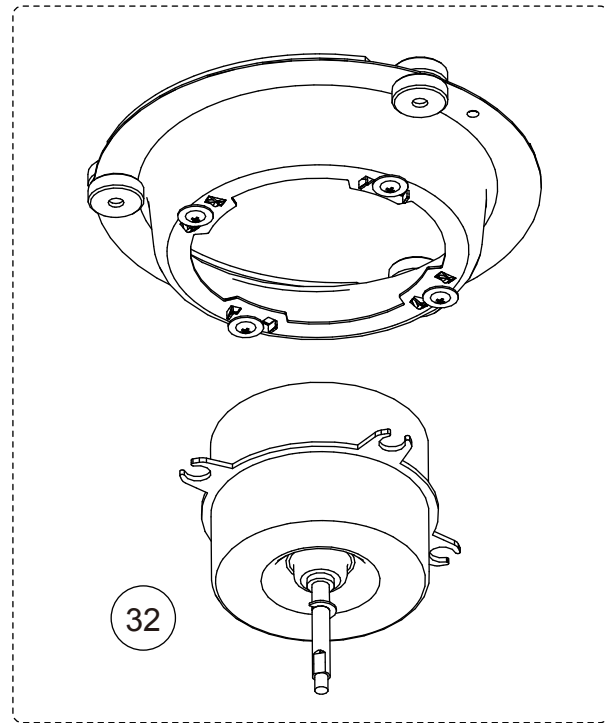
Motor wire holder

Cabinet A sub assy

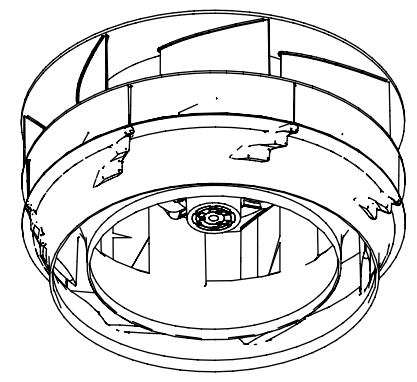


31

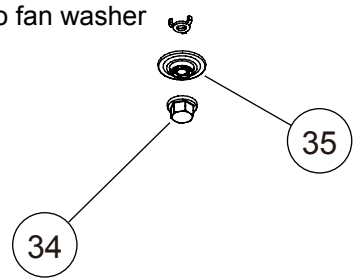
33



32



Turbo fan washer

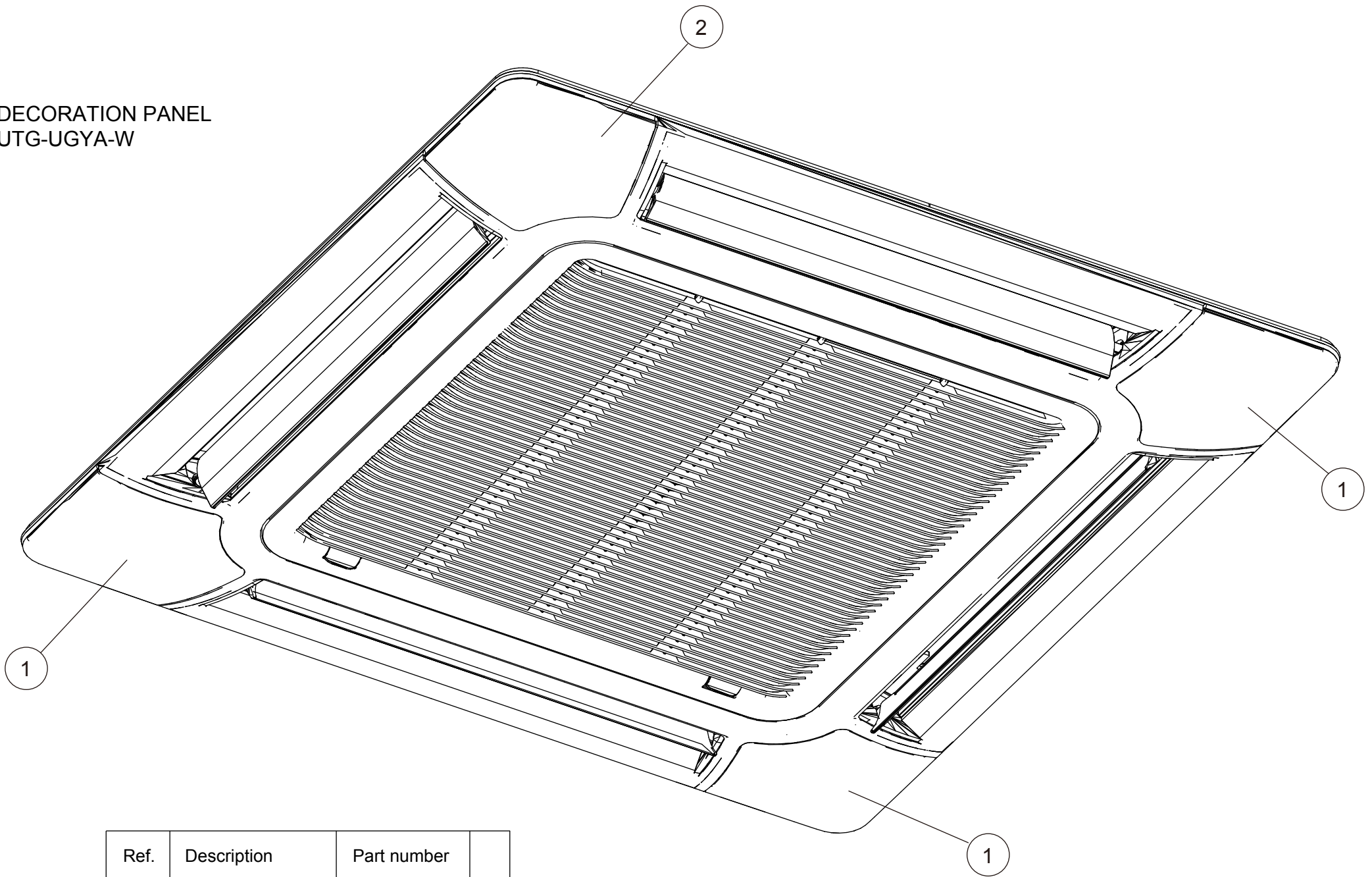


34

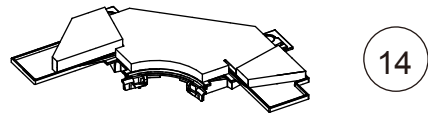
35

Ref.	Description	Part number
31	Fan Motor Sub Assy	9375719012
32	Fan Motor	9602436019
33	2 Stage Turbo Fan Assy	9375480011
34	Shaft Cap	9377807014
35	Washer Cover	9377811011

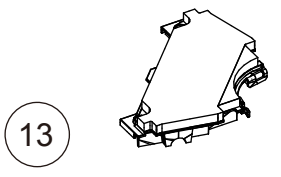
DECORATION PANEL
UTG-UGYA-W



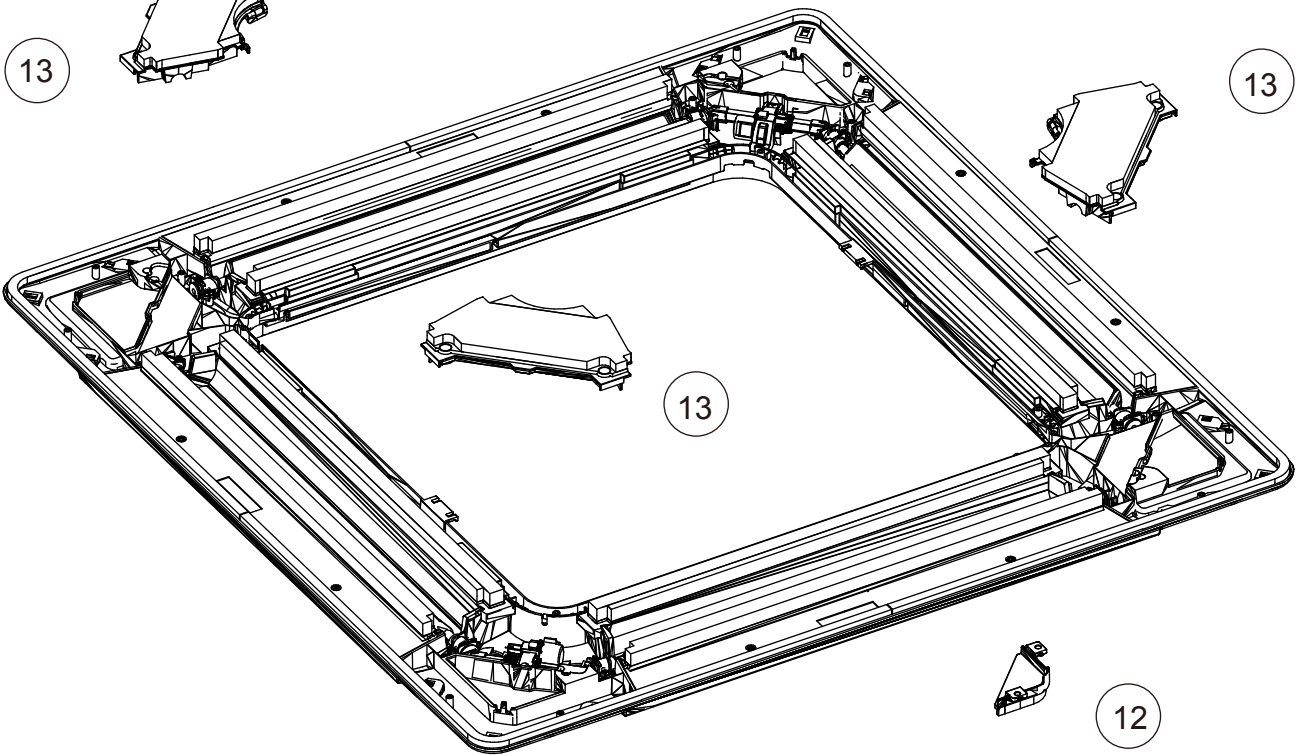
Ref.	Description	Part number	
1	Corner panel A	9378243019	
2	Corner panel A	9378243026	



14

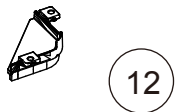


13

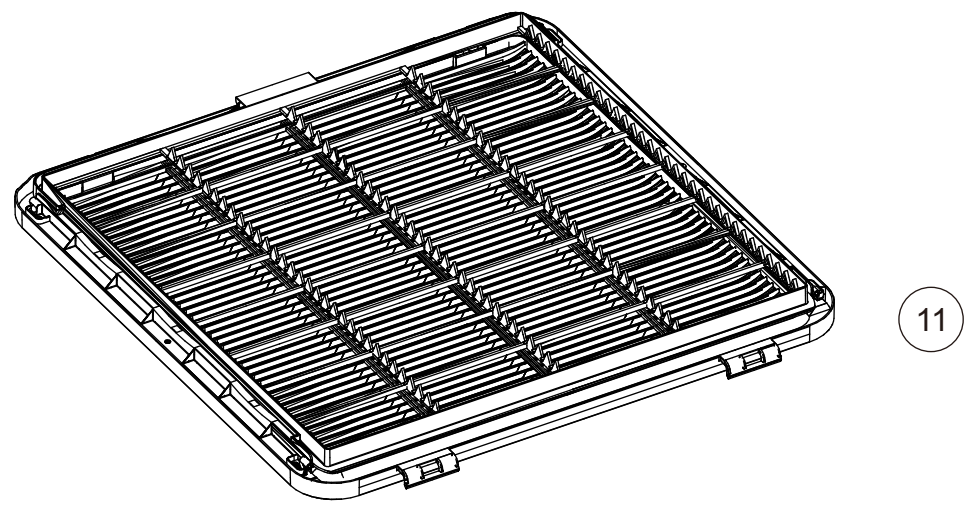


13

13



12

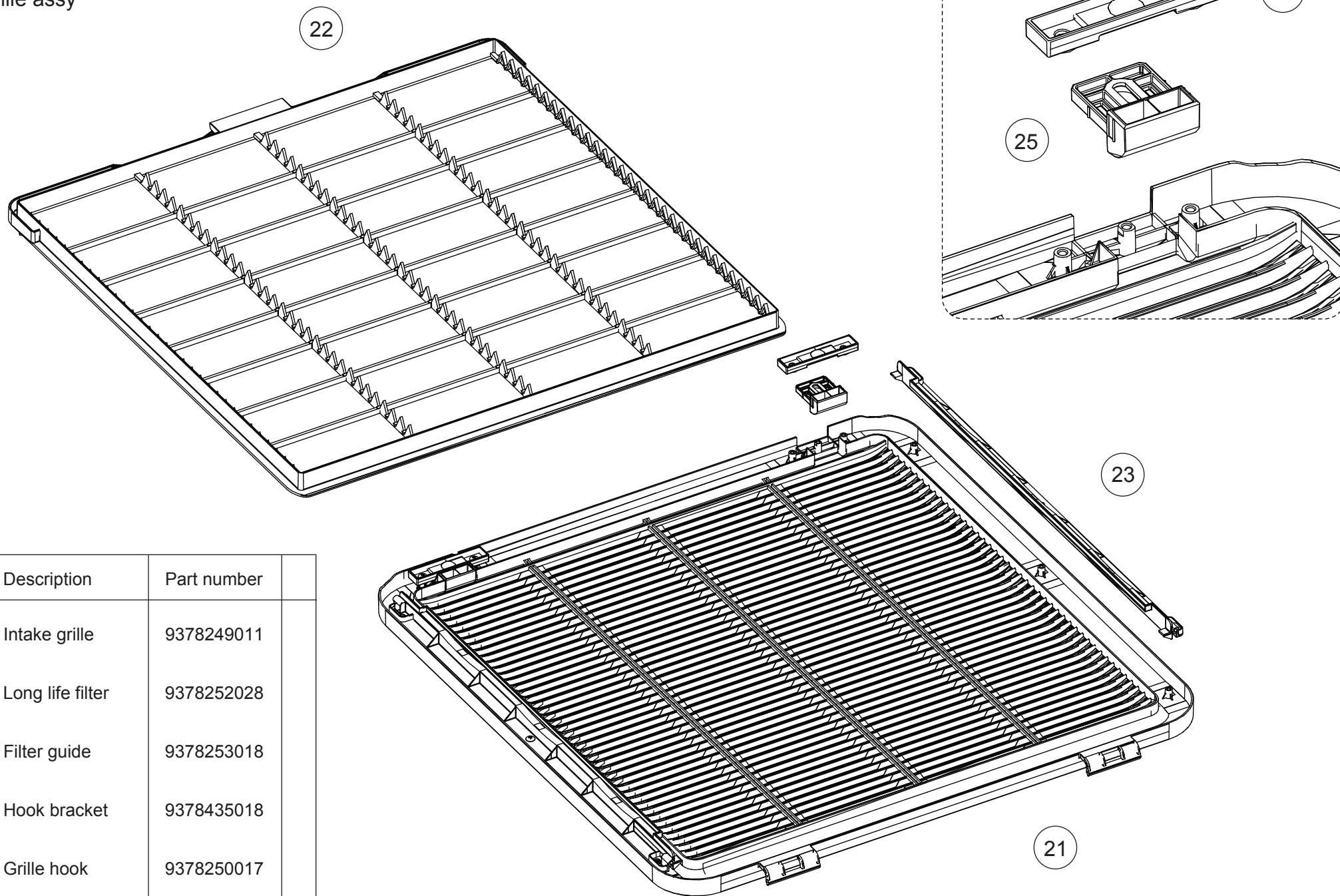


11

DECORATION PANEL
UTG-UGYA-W

Ref.	Description	Part number	
11	Intake grille assy	9378565012	
12	Drain cover	9378359017	
13	Panel cover A	9378261013	
14	Panel cover B	9378262010	

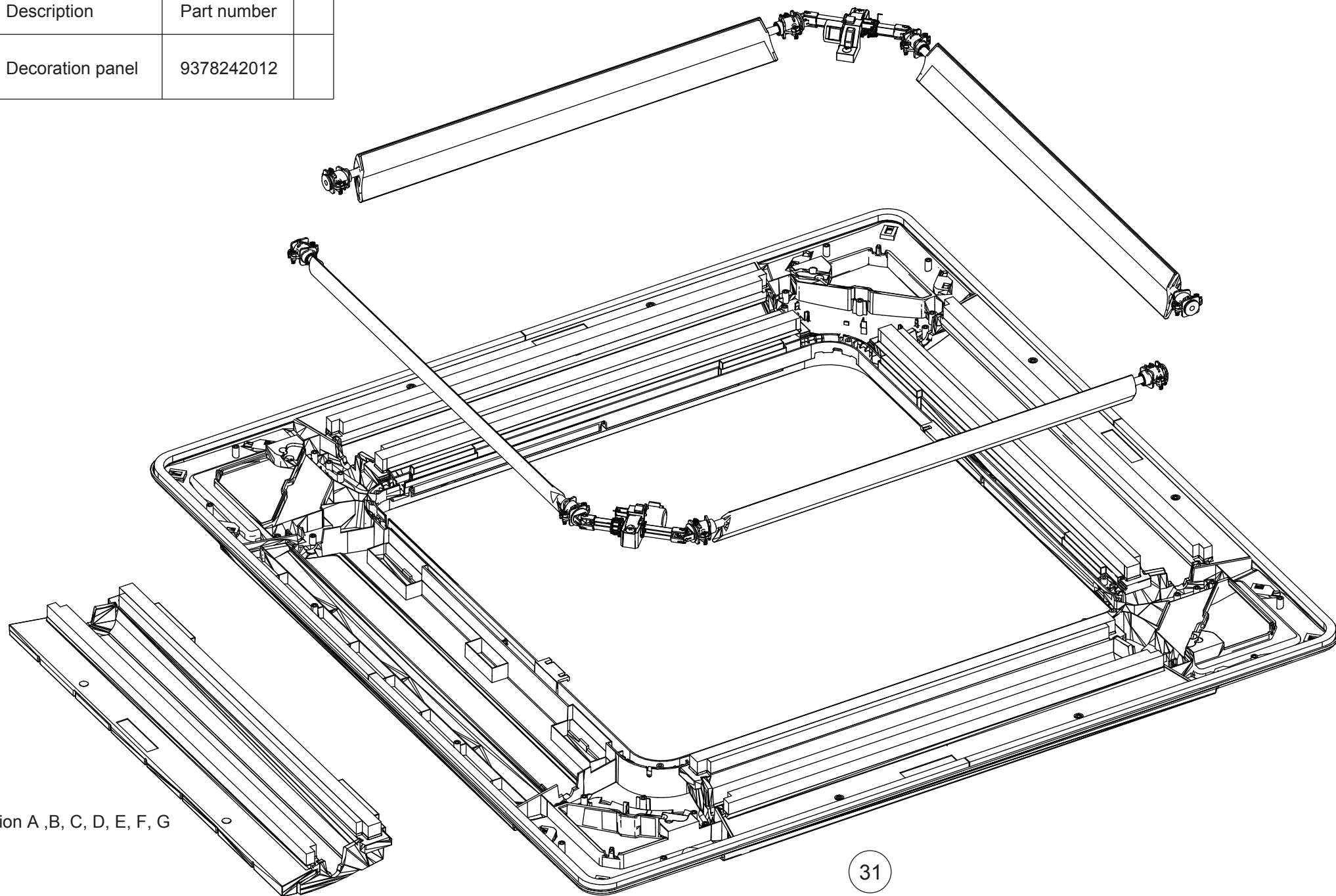
DECORATION PANEL
 UTG-UGYA-W
 Intake grille assy



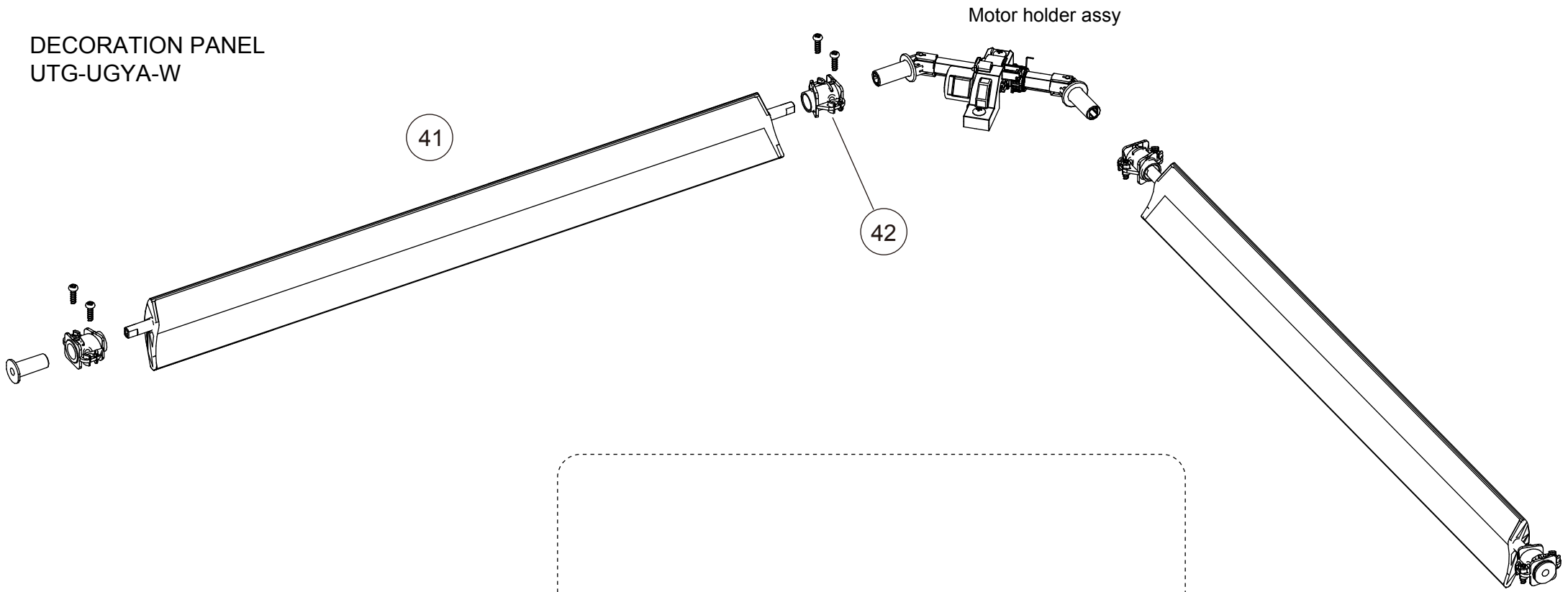
Ref.	Description	Part number
21	Intake grille	9378249011
22	Long life filter	9378252028
23	Filter guide	9378253018
24	Hook bracket	9378435018
25	Grille hook	9378250017

DECORATION PANEL
UTG-UGYA-W

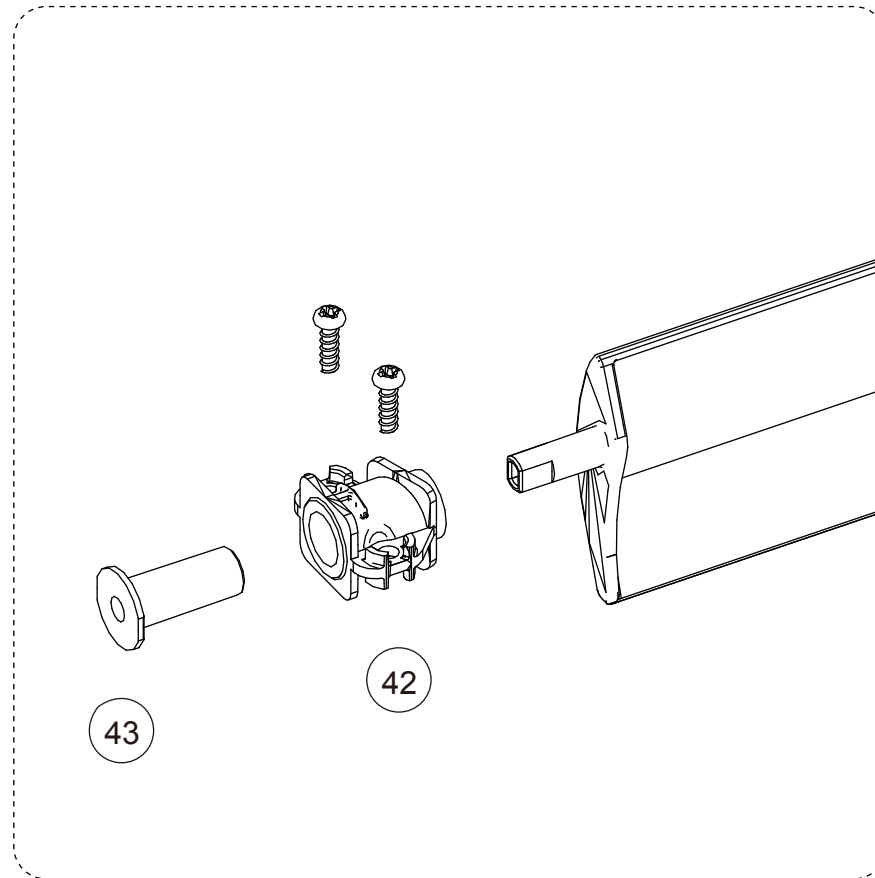
Ref.	Description	Part number	
31	Decoration panel	9378242012	



DECORATION PANEL
UTG-UGYA-W

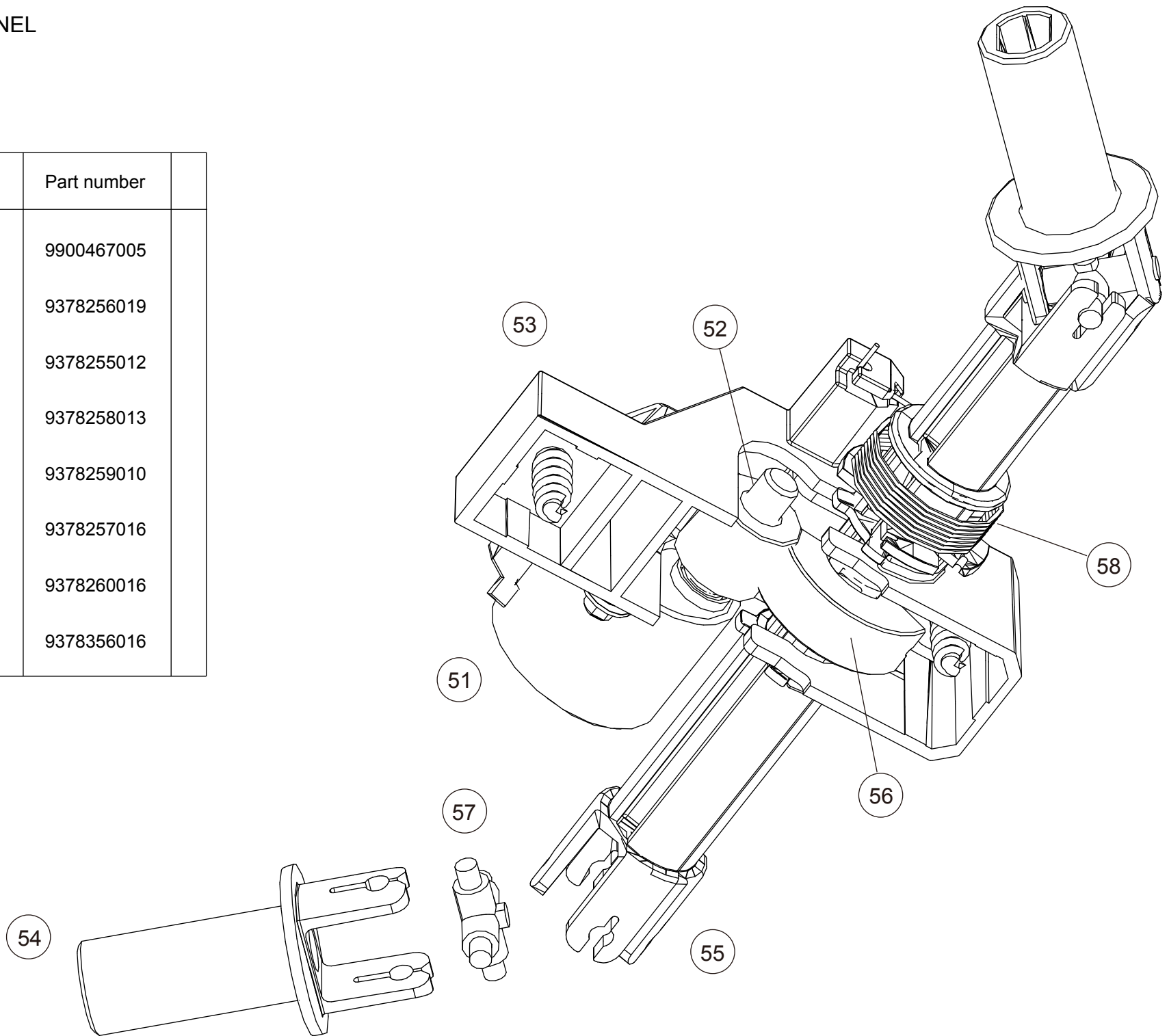


Ref.	Description	Part number	
41	Flap	9378254015	
42	Poli Slider	9375541019	
43	Joint C	9378357013	



DECORATION PANEL
 UTG-UGYA-W
 Motor holder assy

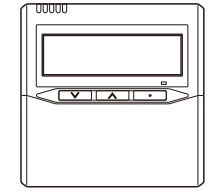
Ref.	Description	Part number
51	Step motor	9900467005
52	Gear A	9378256019
53	Motor Holder	9378255012
54	Joint A	9378258013
55	Joint B	9378259010
56	Gear B	9378257016
57	Joint Shaft	9378260016
58	Flap Spring	9378356016



INDOOR UNIT
CASSETTE
AUYG30LRLE
AUYG45LRLA

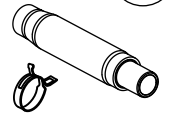
Hook L

Cabinet window



1

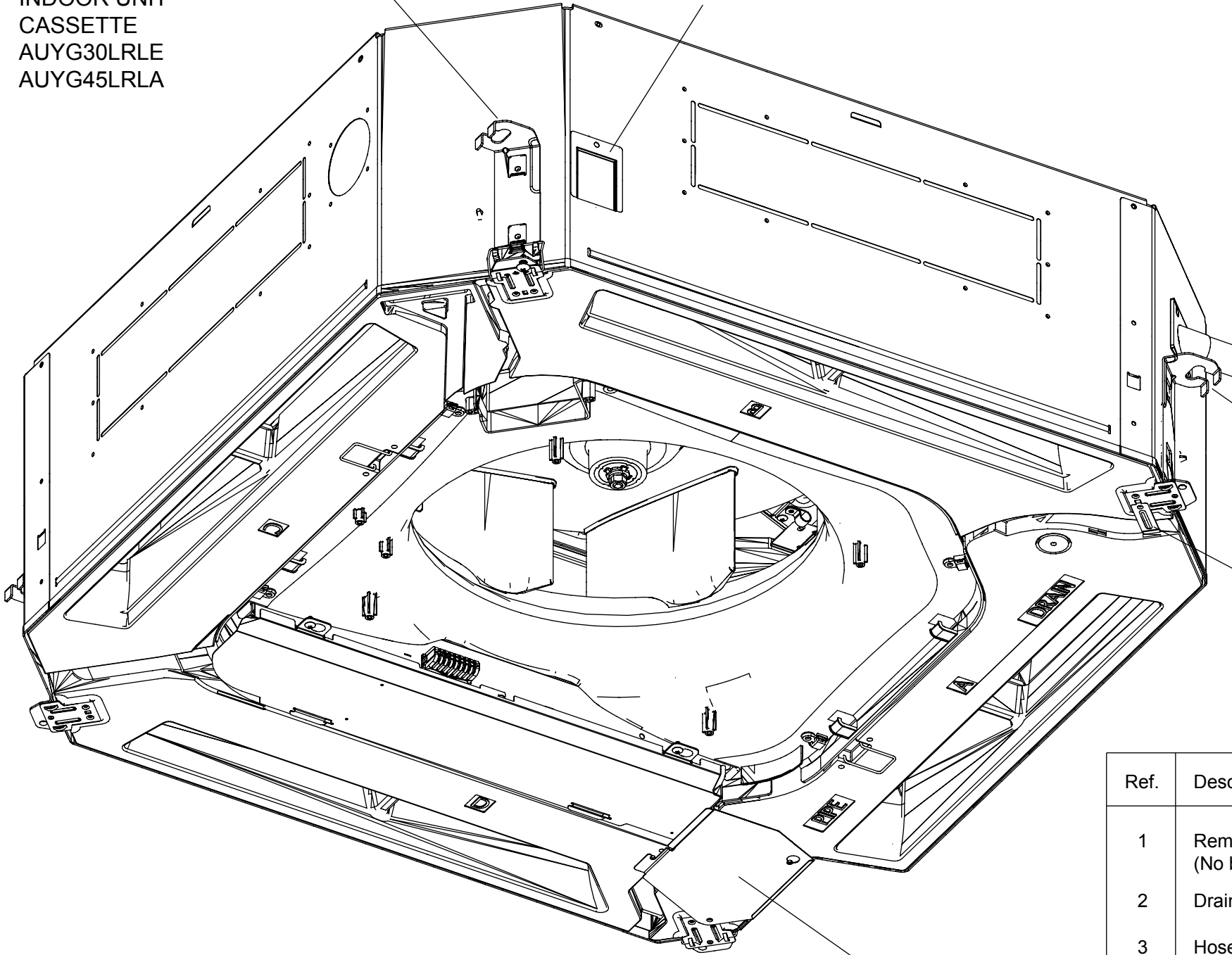
2



3

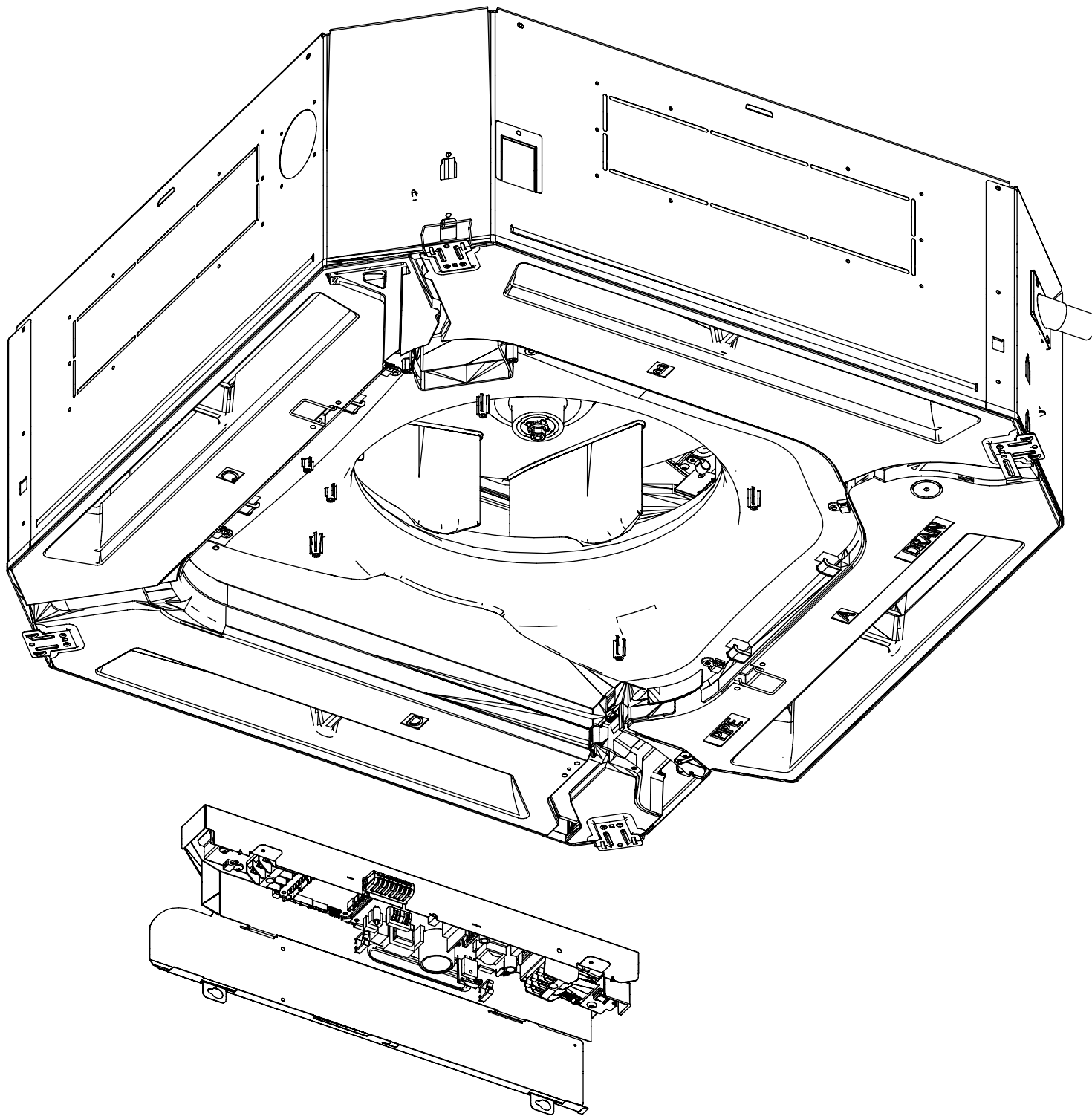
Hook R

Wire holder



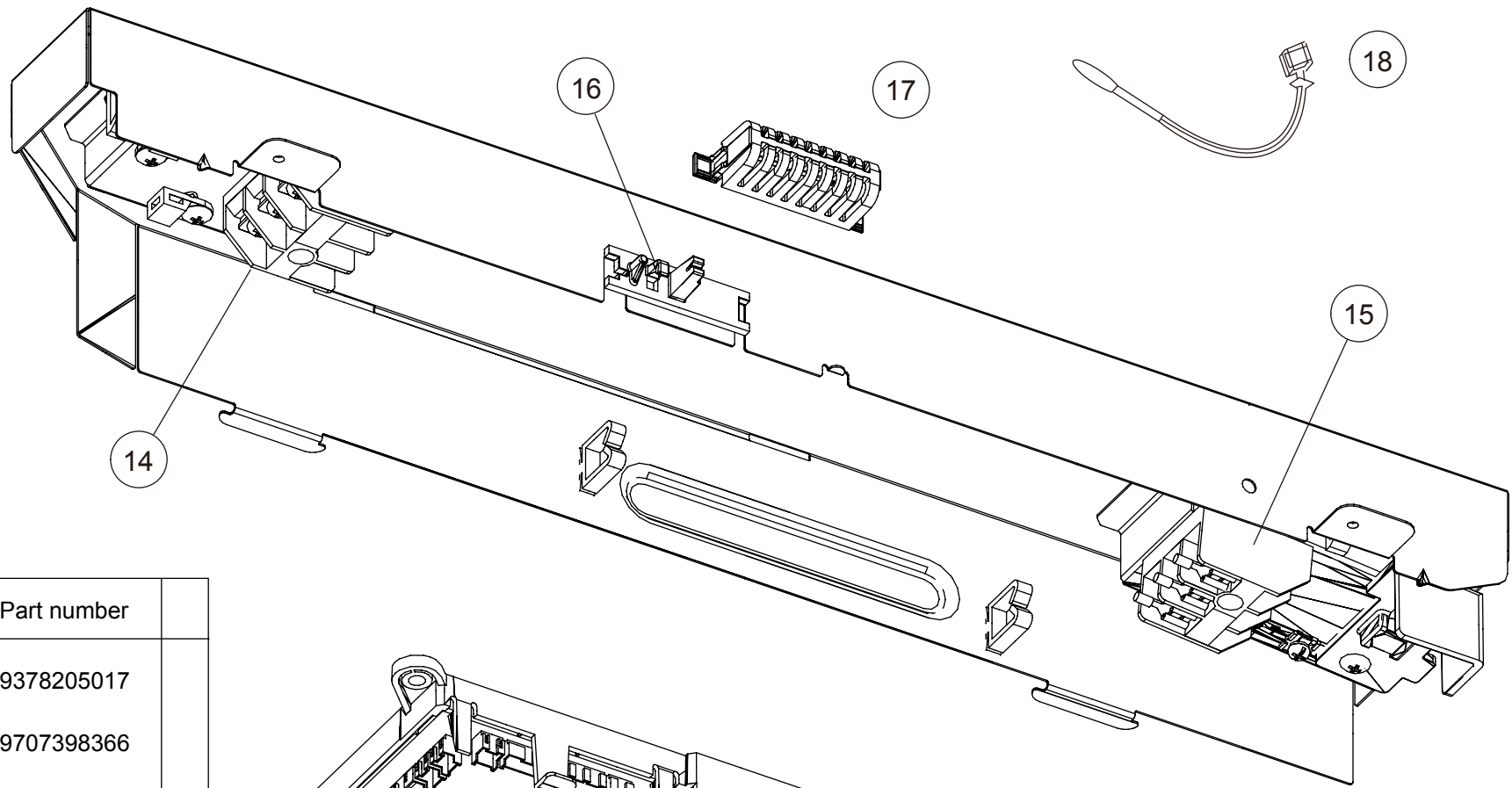
Wire cover

Ref.	Description	Part number
1	Remote control (No brand)	9318593013
2	Drain Hose	9379665001
3	Hose Band	9379757010

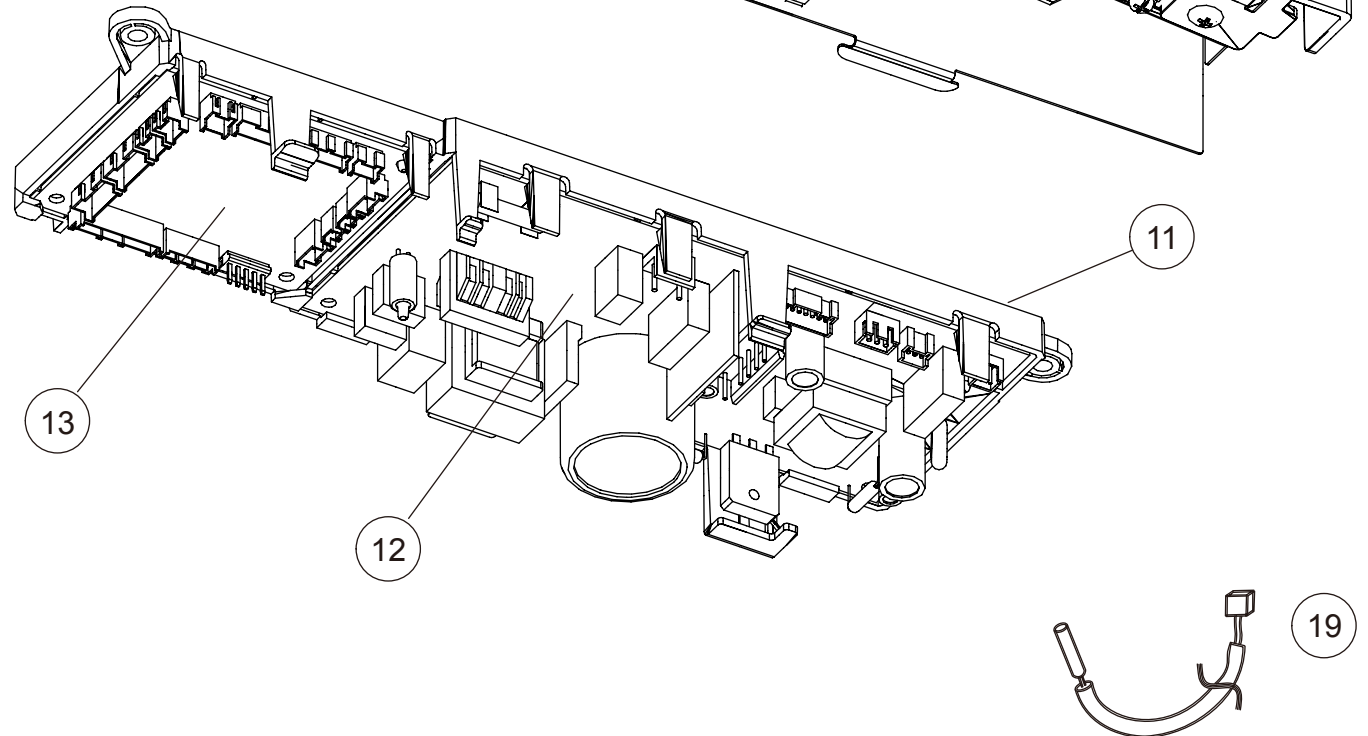


INDOOR UNIT
CASSETTE
AUYG30LRLE
AUYG45LRLA

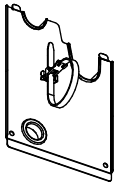
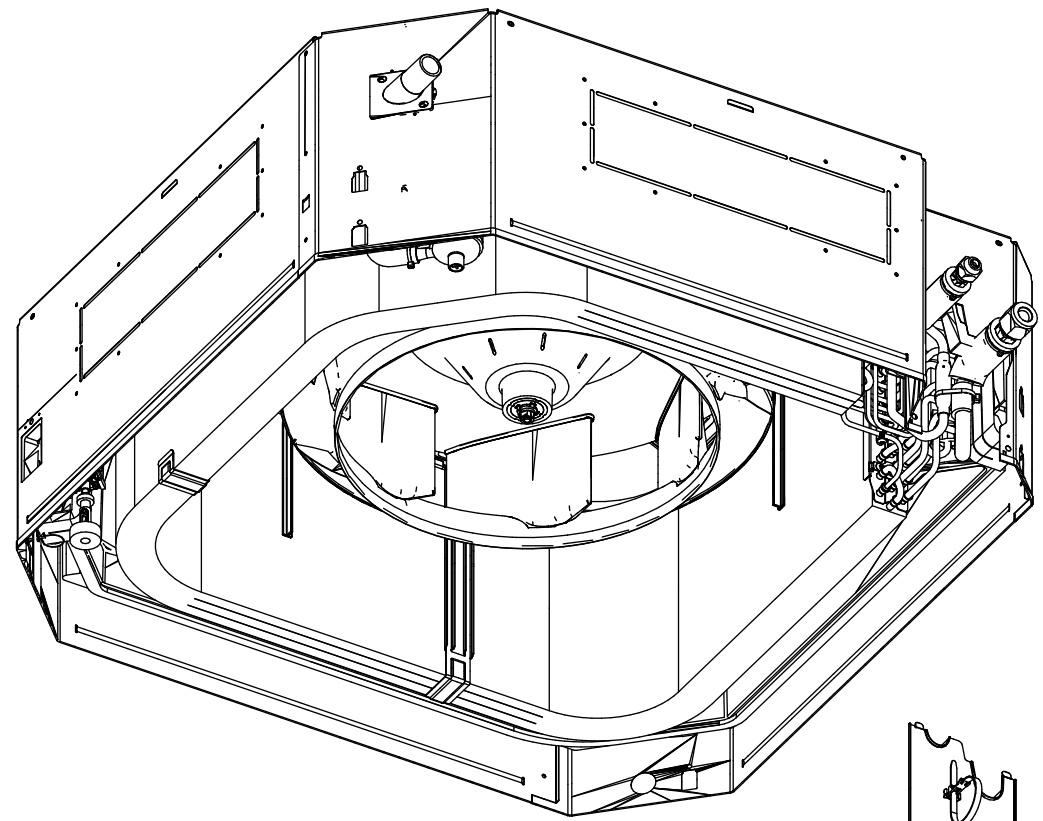
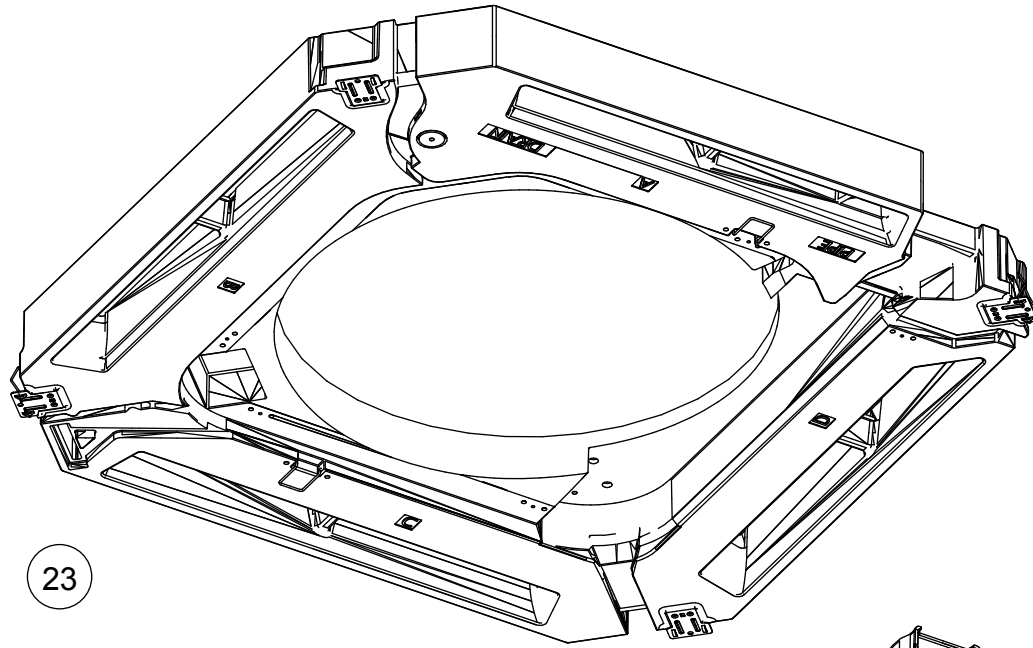
INDOOR UNIT
CASSETTE
AUYG30LRLE
AUYG45LRLA



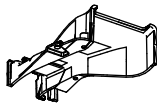
Ref.	Description	Part number
11	PCB Holder	9378205017
12	Power Supply PCB	9707398366
13	Main PCB (AUYG30)	9710621130
13	Main PCB (AUYG45)	9710621376
14	Terminal 3P	9306489045
15	Terminal 3P	9703345012
16	Thermistor Holder A	9378206014
17	Thermistor Holder B	9378330016
18	Room Thermistor	9900822002
19	Pipe Thermistor	9900941017



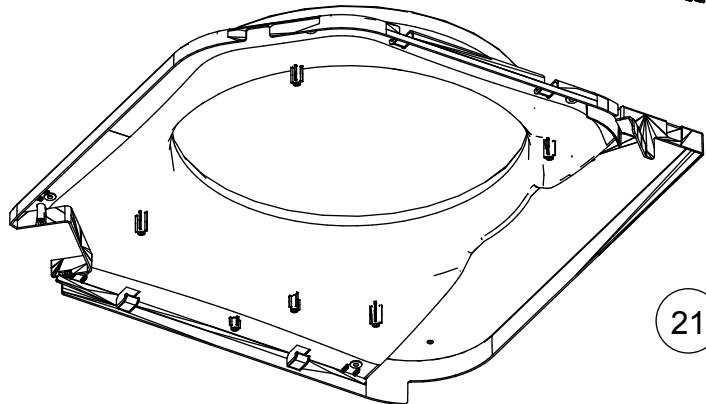
INDOOR UNIT
CASSETTE
AUYG30LRLE
AUYG45LRLA



Pipe cover



22

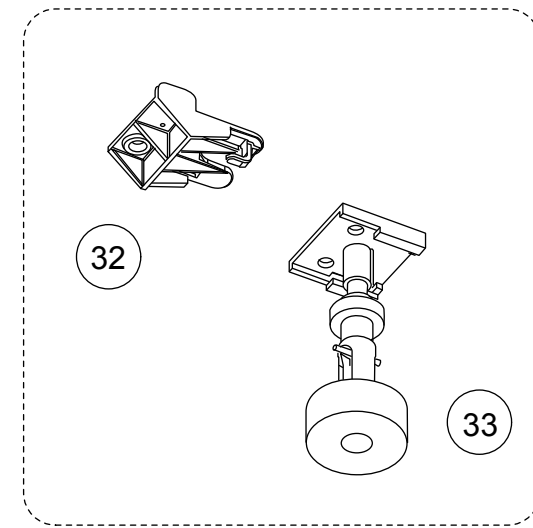
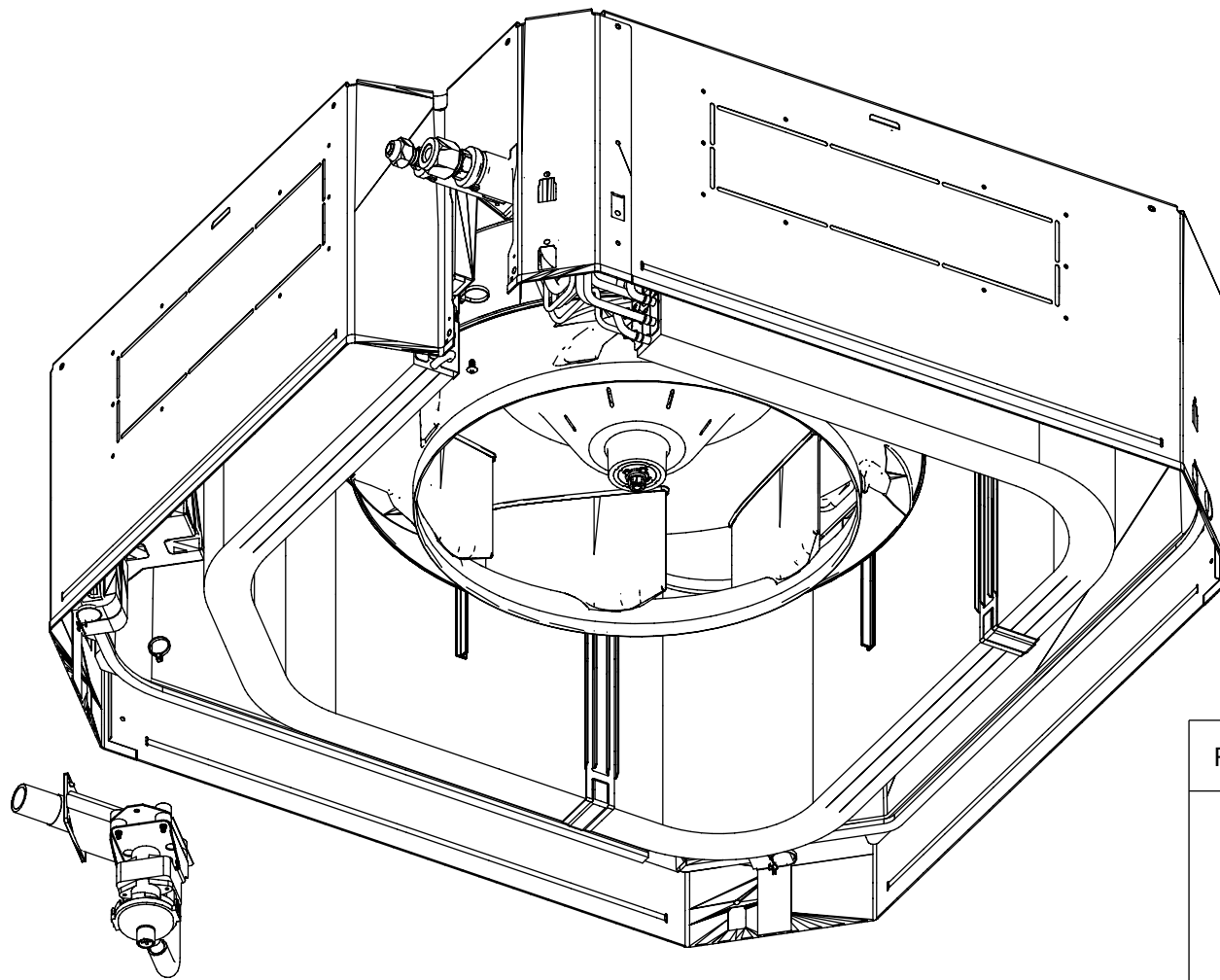


21

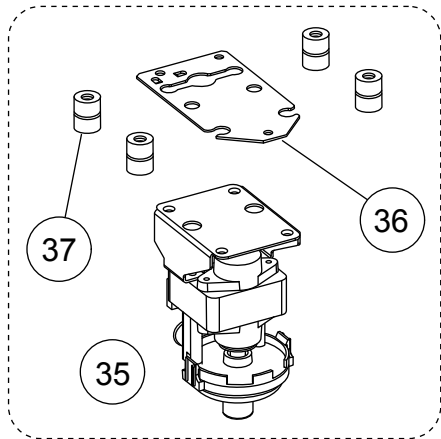
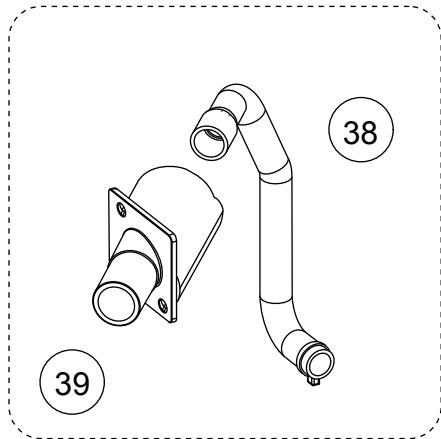
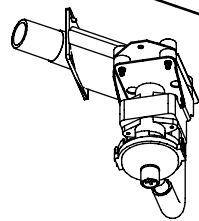
23

Ref.	Description	Part number	
21	Bell Mouth	9378227019	
22	Terminal wire cover	9378548015	
23	Drain pan sub assy	9378583016	

INDOOR UNIT
CASSETTE
AUYG30LRLE
AUYG45LRLA



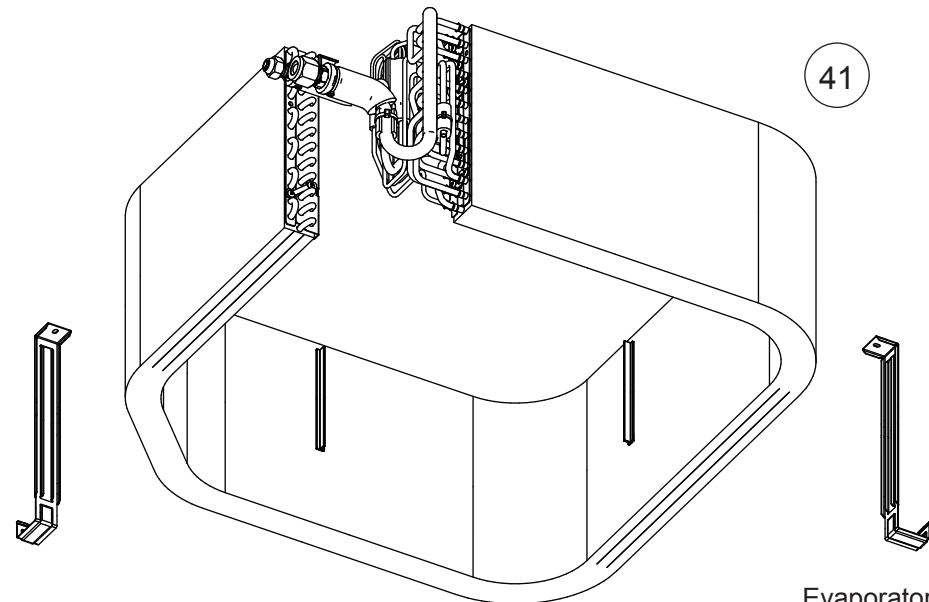
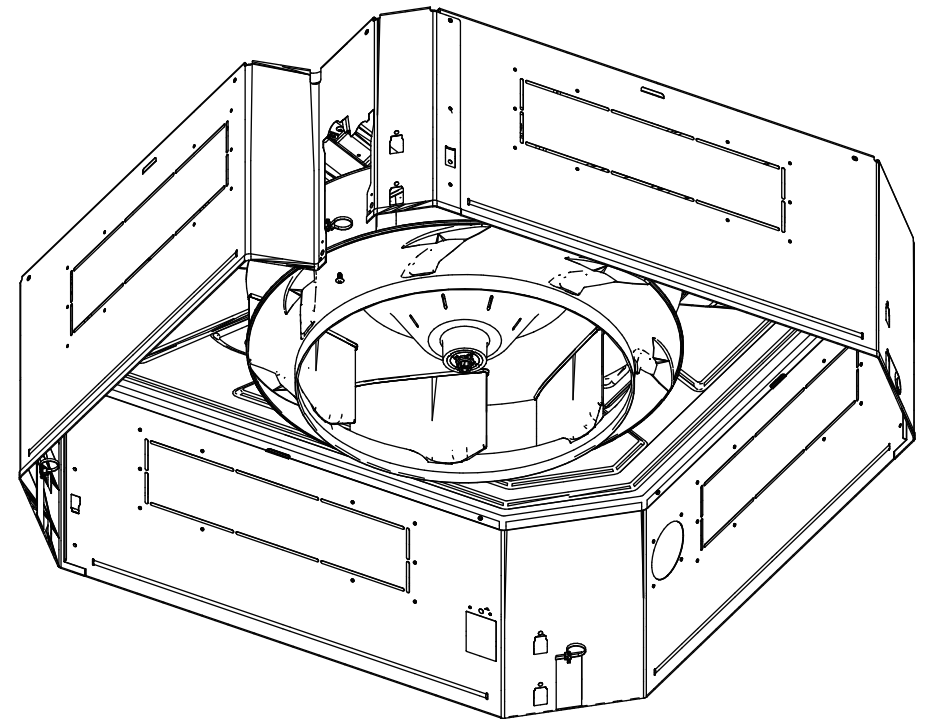
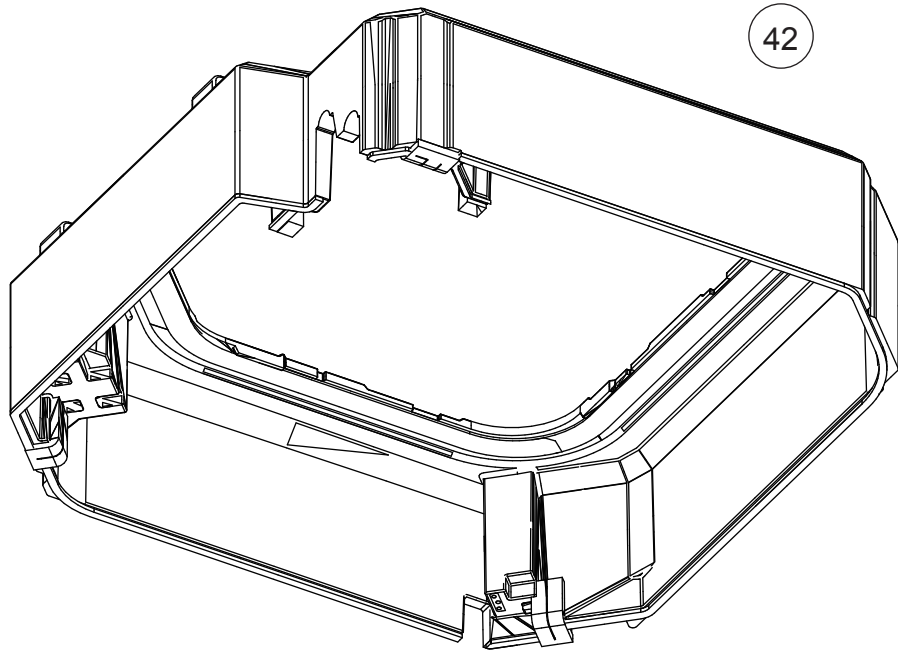
32
33
31



34

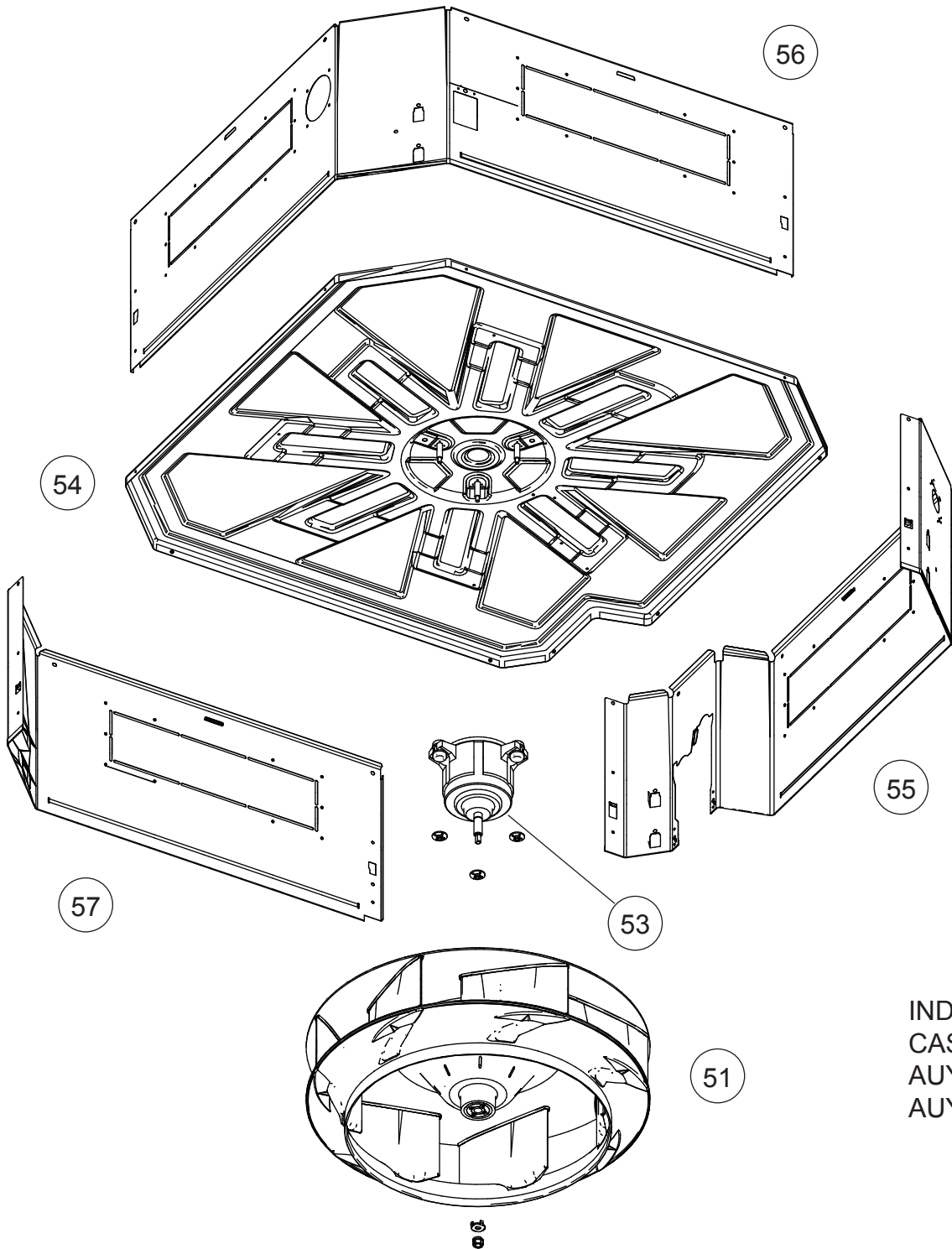
Ref.	Description	Part number
31	Float Switch Sub Assy	9378593015
32	Sensor Holder	9378329010
33	Float Switch	9900465018
34	Drain Pump Sub Assy	9378592018
35	Pump Assy	9900464011
36	Drain Pump Holder B	9375518011
37	Pump Rubber	9378426016
38	Drain Hose	9378212015
39	Drain Port	9378213012

INDOOR UNIT
CASSETTE
AUYG30LRLE
AUYG45LRLA

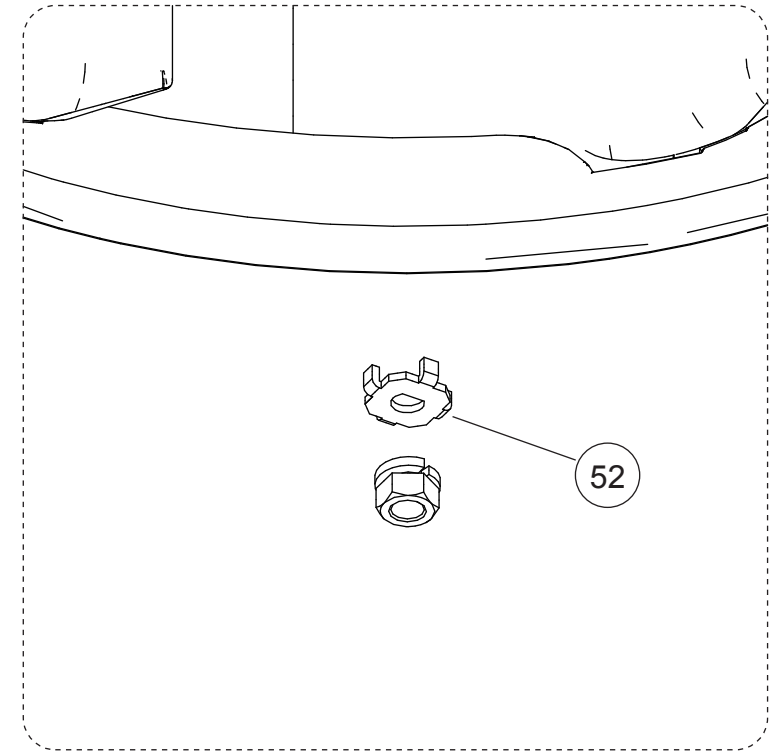


Evaporator holder

Ref.	Description	Part number
41	Evaporator Total Assy (AUYG30LRLE)	9378580015
41	Evaporator Total Assy (AUYG45LRLA)	9378580053
42	Insulation Box Sub Assy (AUYG30LRLE)	9378582019
42	Insulation Box Sub Assy (AUYG45LRLA)	9378582026



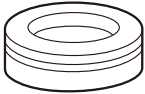
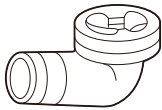
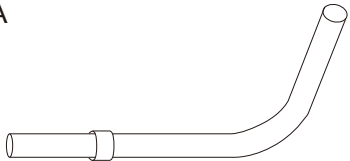



INDOOR UNIT
CASSETTE
AUYG30LRLE
AUYG45LRLE







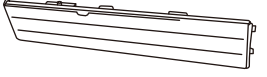



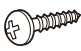



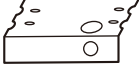
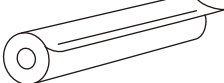




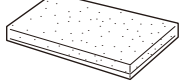
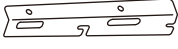


Ref.	Description	Part number
51	Turbo Fan Assy	9378228016
52	Turbo Fan Washer	9378394018
53	Motor, DC Brushless	9603373009
54	Top Plate Assy	9378395015
55	Cabinet A Sub Assy	9378594012
56	Cabinet B Sub Assy	9378595019
57	Cabinet C Sub Assy	9378570016

ACCESSORIES

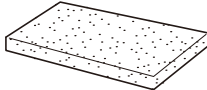






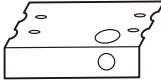


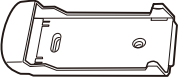


OUTDOOR UNIT
AOYG90LRLA

Name and shape	Q'ty	Description
Drain cap 	9	For outdoor unit drain piping work
Drain pipe 	1	For outdoor unit drain piping work
Joint pipe A 	1	For connecting gas pipe (L type)
Joint pipe B 	1	For connecting gas pipe (Straight type)
Push mount cable tie 	2	For binding connection cable
Grommet edging 	2	For power supply cable and con- nection cable installation. Attach to the knockout hole.

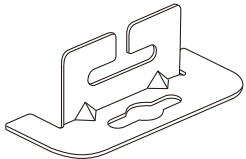
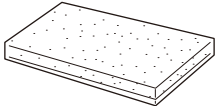



INDOOR UNIT
CEILING
ABYG22LVTA

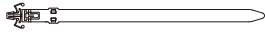
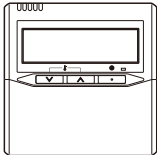
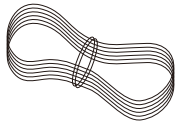


Name and Shape	Q'ty	Name and Shape	Q'ty	Name and Shape	Q'ty	Name and Shape	Q'ty
Cover plate (Left) 	1	Special nut  For suspending the indoor unit from ceiling	4	Binder (Small)  For electrical wiring	2	Remote control 	1
Cover plate (Right) 	1	Wall bracket  For suspending the indoor unit on the wall	2	Wire clammer  For electrical wiring	1	Battery  For remote control	2
Screw (M4 × 10mm) 	2	Screw (M4 × 20mm)  For fixing the wall bracket	6	Drain hose 	1	Remote control holder 	1
Installation template  Positioning for under ceiling type	1	Coupler heat insulator (Large)  For indoor side pipe joint(Large pipe)	1	Hose band  For installing drain hose	1	Screw (M3 × 12mm)  For remote control holder installation	2
Bracket (Left)  For suspending the indoor unit from ceiling	1	Coupler heat insulator (Small)  For indoor side pipe joint (Small pipe)	1	Insulation (Drain hose)  Adhesive type 100 x 220(mm)	1		
Bracket (Right)  For suspending the indoor unit from ceiling	1	Binder (Large)  For fixing drain hose	1	VT wire  For fixing drain hose L 280mm	1		

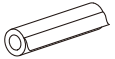


INDOOR UNIT
CEILING
ABYG30LRTE
ABYG45LRTA

Name and Shape	Q'ty	Application	Part number
Drain hose insulation 	1	Adhesive type 70 x 230	9360464002
VT wire 	1	For fixing the drain hose L 280 mm	313806350303
Coupler heat insulator (large) 	2	For indoor side pipe joint (gas pipe)	9378173569
Coupler heat insulator (small) 	1	For indoor side pipe joint (liquid pipe)	9378173521
Cable tie 	Large 4	For fixing the coupler heat insulator	9301501001
	Small 4		312300787605
Special nut A (large flange) 	4	For installing indoor unit	313005446653
Special nut B (small flange) 	4	For installing indoor unit	313005446759
Installation template 	1	For positioning the indoor unit	9360022004
Auxiliary pipe assembly 	1	For connecting the piping	9374714025
Remote control 	1	For air conditioner operation	9379219037
Remote control holder 	1	For installing remote control on the wall	9305642045
Battery 	2	For remote control	0600185541
Tapping screw 	2	For mounting the remote control holder	0700019036





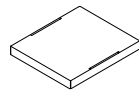
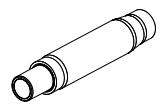

INDOOR UNIT
 DUCT
 ARYG22LMLA
 ARYG30LMLE
 ARYG45LMLA

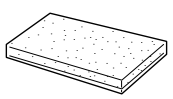

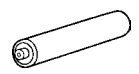



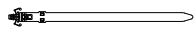
Name and Shape	Q'ty
Hanger  For suspending the indoor unit from ceiling	4
Drain hose insulation  Insulates the drain hose and vinyl hose	1
Cable tie (Large)  For fixing drain hose	1
Cable tie (Small)  For remote control and remote control cable binding	1
Cable tie  For electrical wiring	2

Name and Shape	Q'ty
Wire clammer  For electrical wiring	1
Remote control  For air conditioner operation	1
Remote control cable  For connecting the remote control	1
Screw (M4 × 16)  For installing the remote control	2
Coupler heat insulation (Large)  For indoor side pipe joint (gas)	1

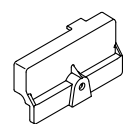
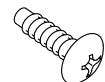

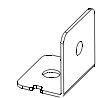
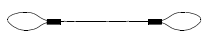
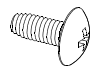
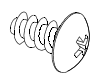
Name and Shape	Q'ty
Coupler heat insulation (Small)  For indoor side pipe joint (liquid)	1
Special nut A (Large flange)  For suspending the indoor unit from ceiling	4
Special nut B (Small flange)  For suspending the indoor unit from ceiling	4

**INDOOR UNIT
CASSETTE
AUYG22LVLA**


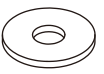
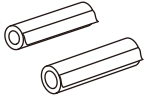
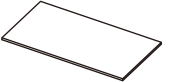
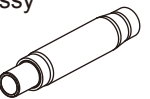

Name and Shape	Q'ty
Coupler heat insulation (Large)  For indoor side pipe joint (gas pipe)	1
Coupler heat insulation (Small)  For indoor side pipe joint (liquid pipe)	1
Special nut A (Large flange)  For installing indoor unit	4
Special nut B (Small flange)  For installing indoor unit	4
Template (Carton top)  For ceiling openings cutting Also used as packing	1
Drain hose  For installing drain pipe	1
Hose Band  For installing drain hose	1

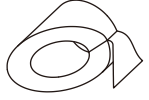





Name and Shape	Q'ty
Drain hose insulation  For installing drain pipe	1
Remote control  1	1
Battery  2	2
Remote control holder  1	1
Tapping screw (M3 × 12mm)  Mounting the remote control holder	2
Cable tie  For electrical wiring	2
Wire clasper  For electrical wiring	1

**DECORATION PANEL
UTG-UFYD-W**



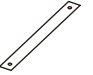

Name and Shape	Q'ty
Connector cover  For covering connector	1
Tapping Screw (M5 × 12 mm)  Mounting decoration panel	4
Tapping Screw (M4 × 12 mm)  Mounting connector cover	1
L angle  Mounting the Hook Wire to the decoration panel	2
Hook wire  Suspending the decoration panel	2
Screw [pitch small] (M4 × 10 mm)  Mounting the Hook wire (for metals)	2
Screw [pitch large] (M4 × 10 mm)  Mounting the L angle and Hook wire (for resins)	4

INDOOR UNIT
CASSETTE
AUYG30LRLE
AUYG45LRLA



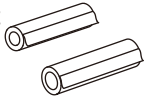
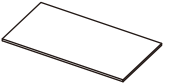
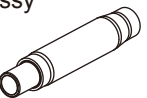

Name and Shape	Q'ty	Application
Template (Carton top) 	1	For installing indoor unit
Washer 	8	For installing indoor unit
Coupler heat insulation 	2	For indoor side pipe joint
Insulation 	1	For installing drain pipe
Drain hose assy 	1	For installing drain pipe
Hose band assy 	1	For installing drain pipe







Name and Shape	Q'ty	Application
Drain pipe insulation 	1	For installing drain pipe
Binder (Large) 	3	For electrical wiring
Binder (Small) 	1	For electrical wiring
Wired remote control 	1	
Remote Control Cord 	1	For connecting remote control
Tapping screw (φ4 x 16) 	2	For installing remote control

DECORATION PANEL
UTG-UGYA-W


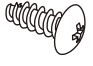


Name and Shape	Q'ty	Application
Hexagon Screw 	4	For mounting decoration panel
Screw 	4	For installing grille holding wire
Strap 	4	For installing corner panel
Grille holding wire 	2	For installing intake grille

INDOOR UNIT
CASSETTE
AUYG30LRLE
AUYG45LRLA

Name and Shape	Q'ty	Application
Template (Carton top) 	1	For installing indoor unit
Washer 	8	For installing indoor unit
Coupler heat insulation 	2	For indoor side pipe joint
Insulation 	1	For installing drain pipe
Drain hose assy 	1	For installing drain pipe
Hose band assy 	1	For installing drain pipe

Name and Shape	Q'ty	Application
Drain pipe insulation 	1	For installing drain pipe
Binder (Large) 	3	For electrical wiring
Binder (Small) 	1	For electrical wiring
Wired remote control 	1	
Remote Control Cord 	1	For connecting remote control
Tapping screw ($\phi 4 \times 16$) 	2	For installing remote control

DECORATION PANEL
UTG-UGYA-W

Name and Shape	Q'ty	Application
Hexagon Screw 	4	For mounting decoration panel
Screw 	4	For installing grille holding wire
Strap 	4	For installing corner panel
Grille holding wire 	2	For installing intake grille

1706G4625