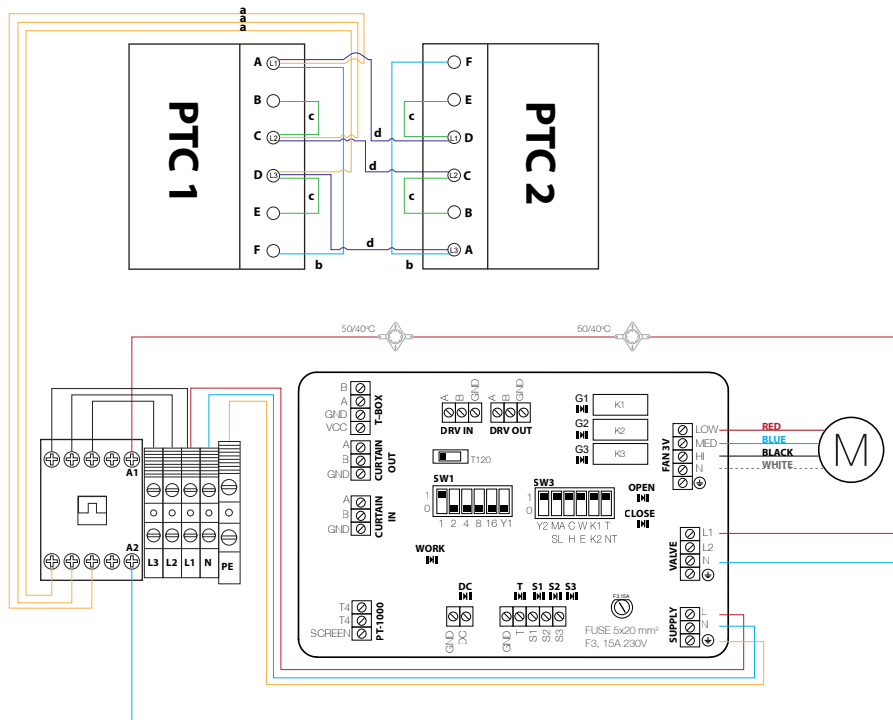


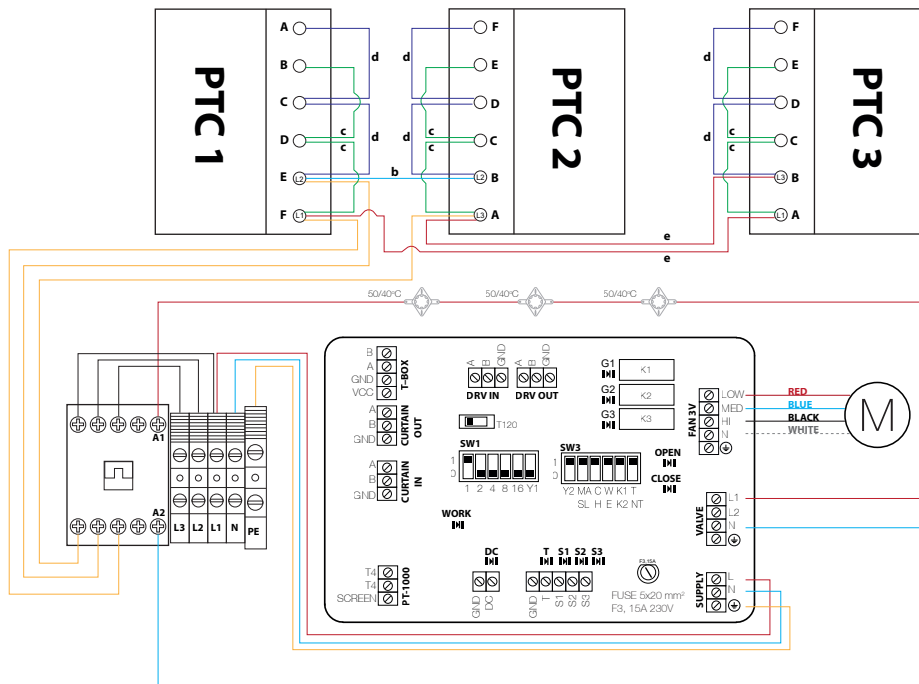
The background of the page is a grayscale photograph of a large industrial warehouse. On the left, a black forklift is partially visible. In the center, a large, multi-level industrial structure with a roll-up door is prominent. To the right, there are tall metal shelving units filled with boxes and pallets. The floor is polished and reflects the overhead lights.

# INTERNAL DIAGRAMS GUIDEBOOK

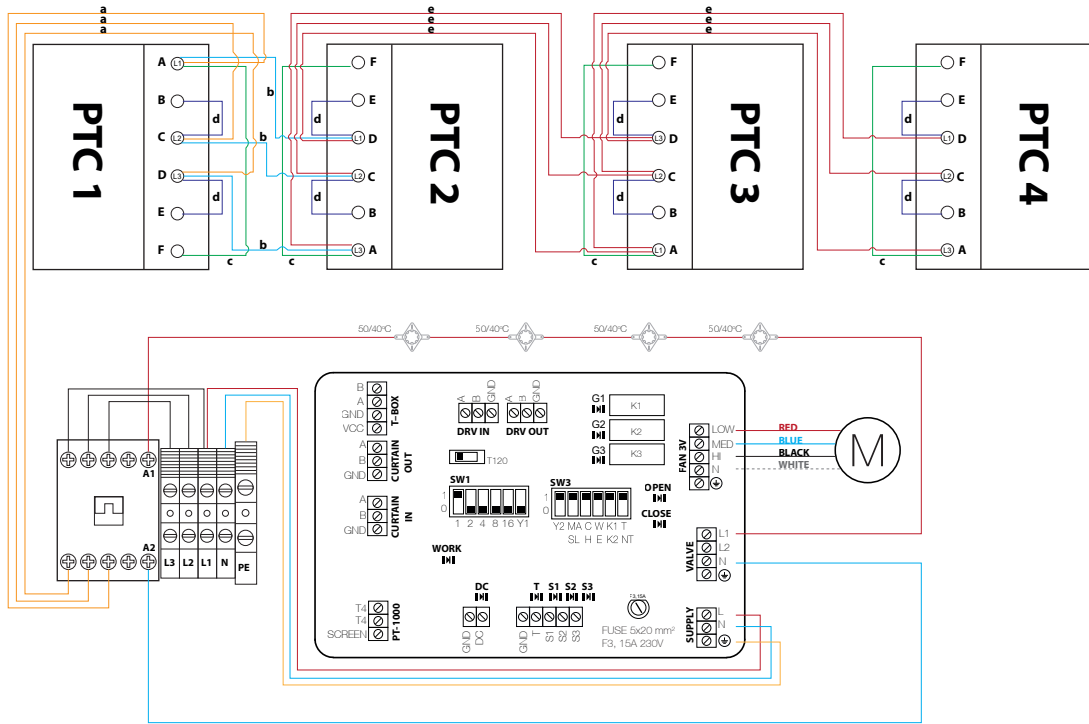
CEILING-E-100



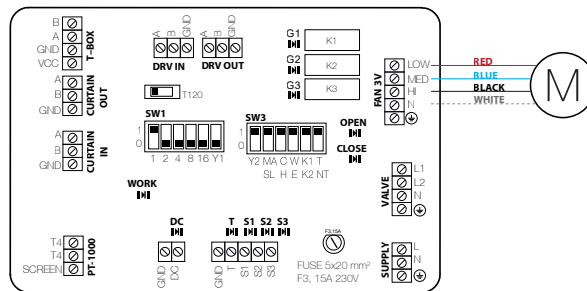
CEILING-E-150



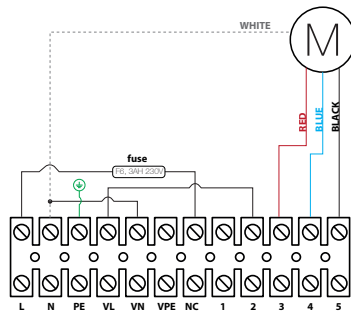
CEILING-E-200



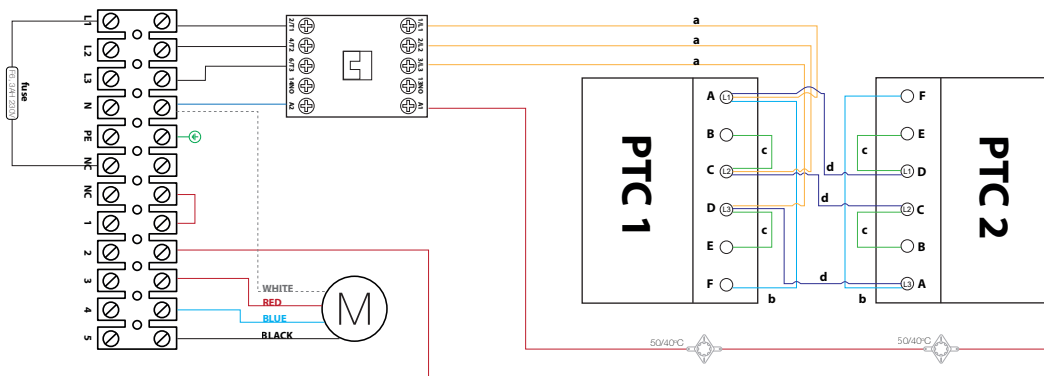
CEILING-W/N-100/150/200



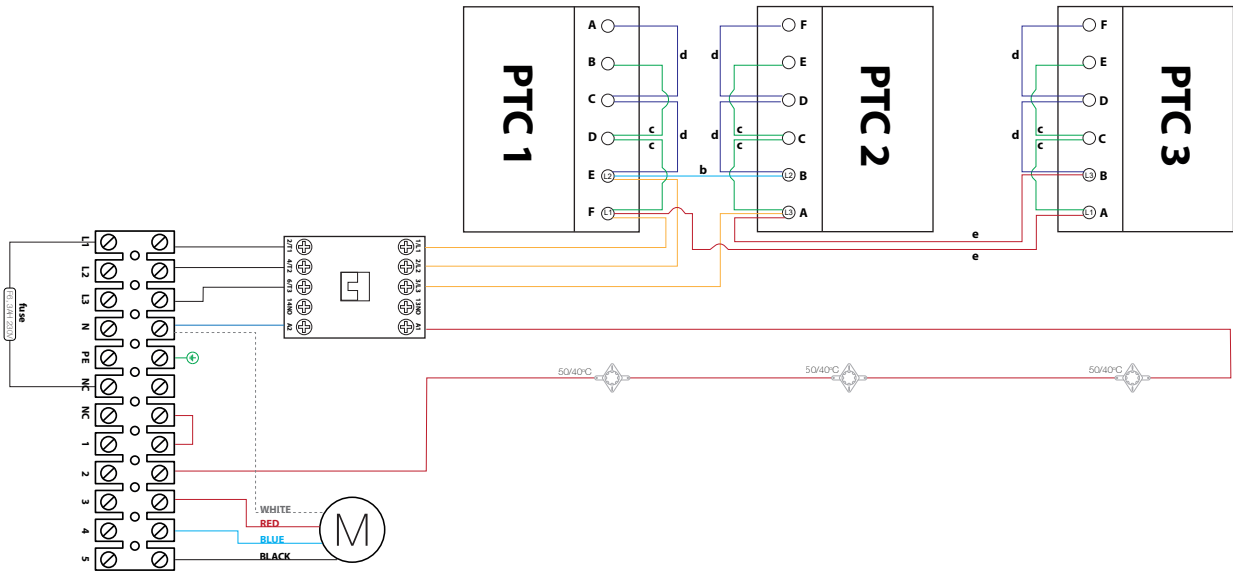
DESIGN-W/N-100/150/200



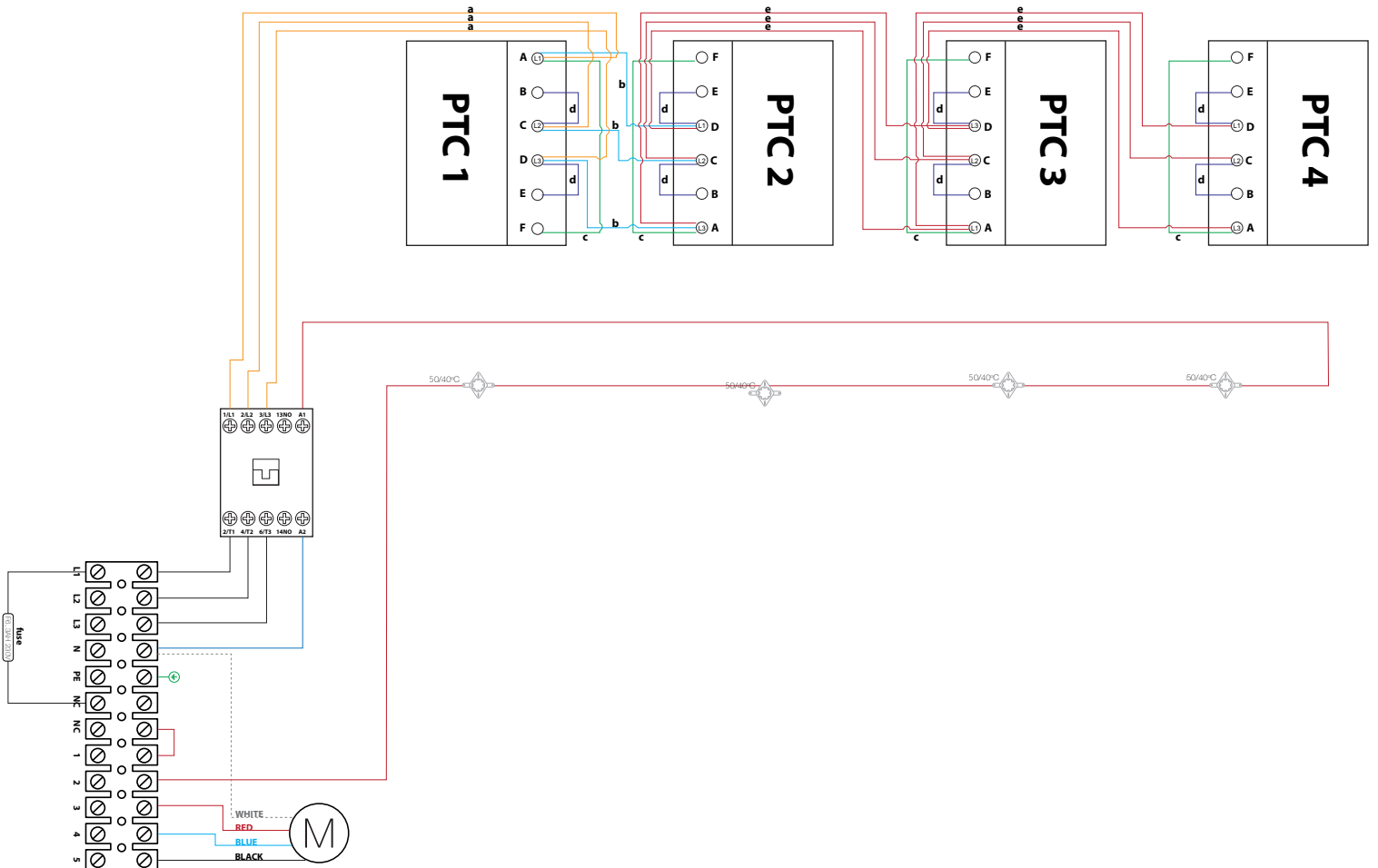
DESIGN-E-100



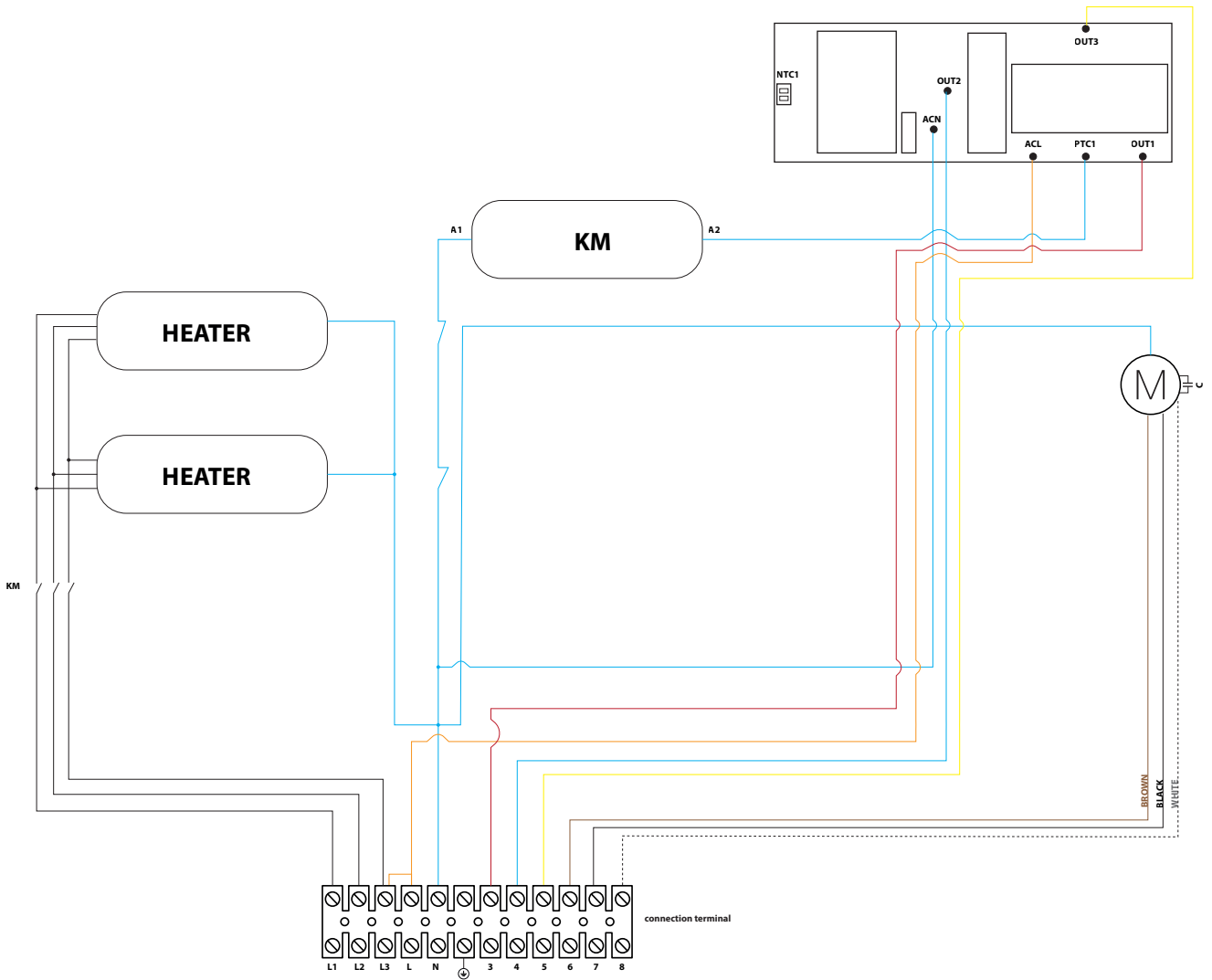
DESIGN-E-150



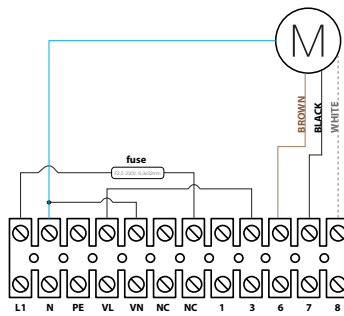
DESIGN-E-200

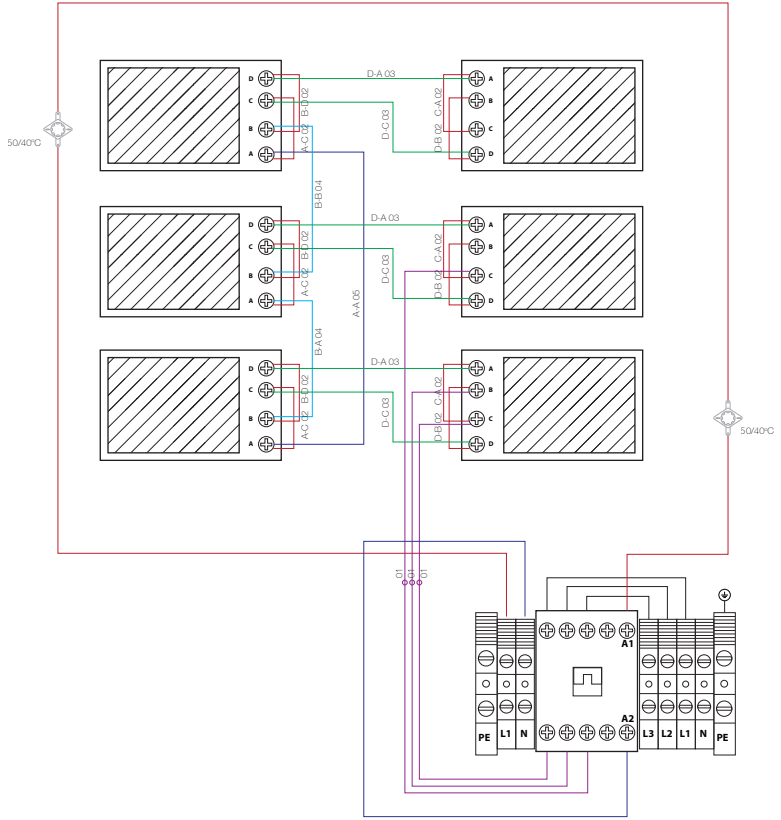
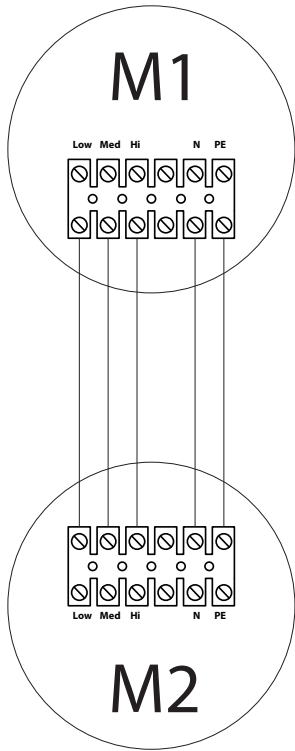


EASY-E-100/150/200

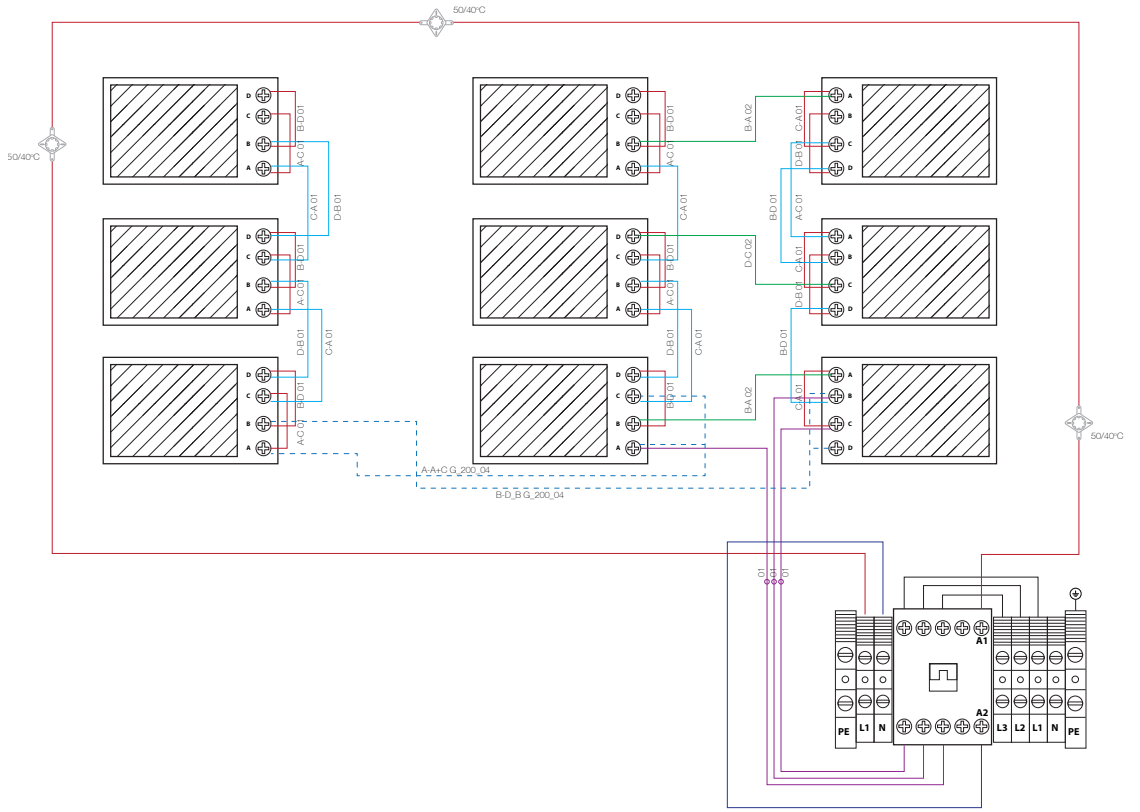
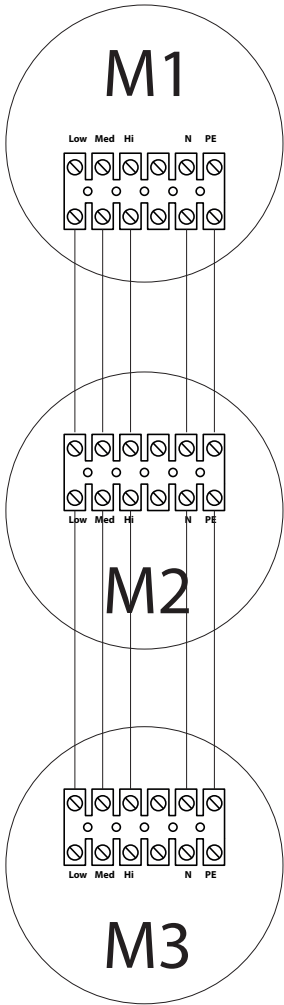


EASY-W-100/150/200

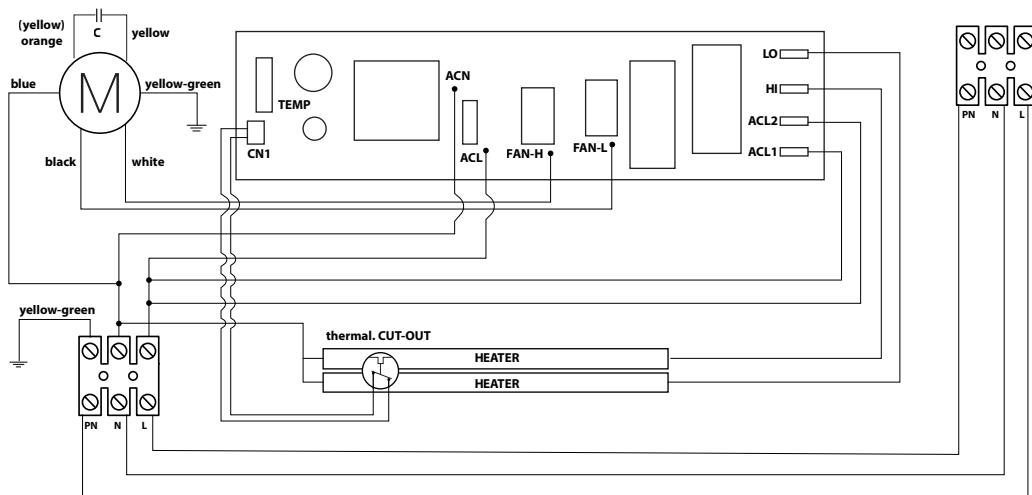




INDUSTRY-E-200

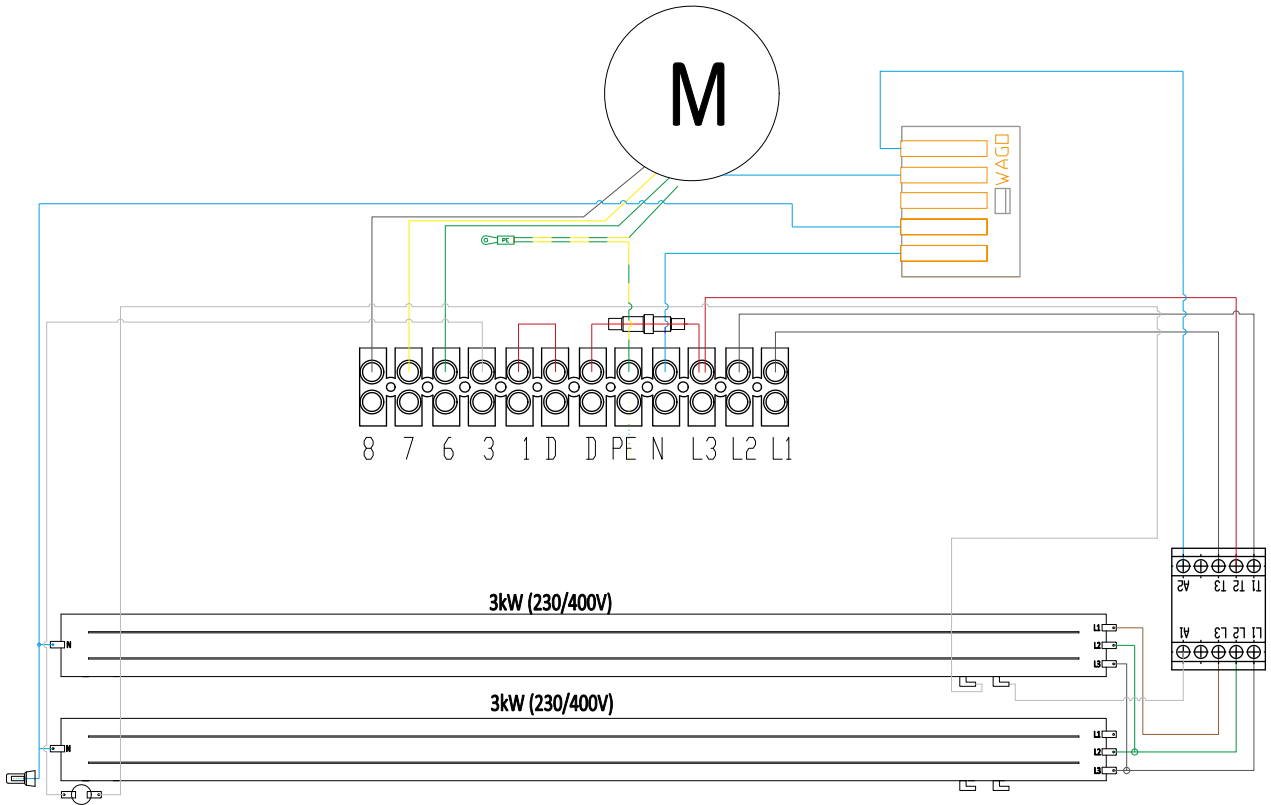


BASIC

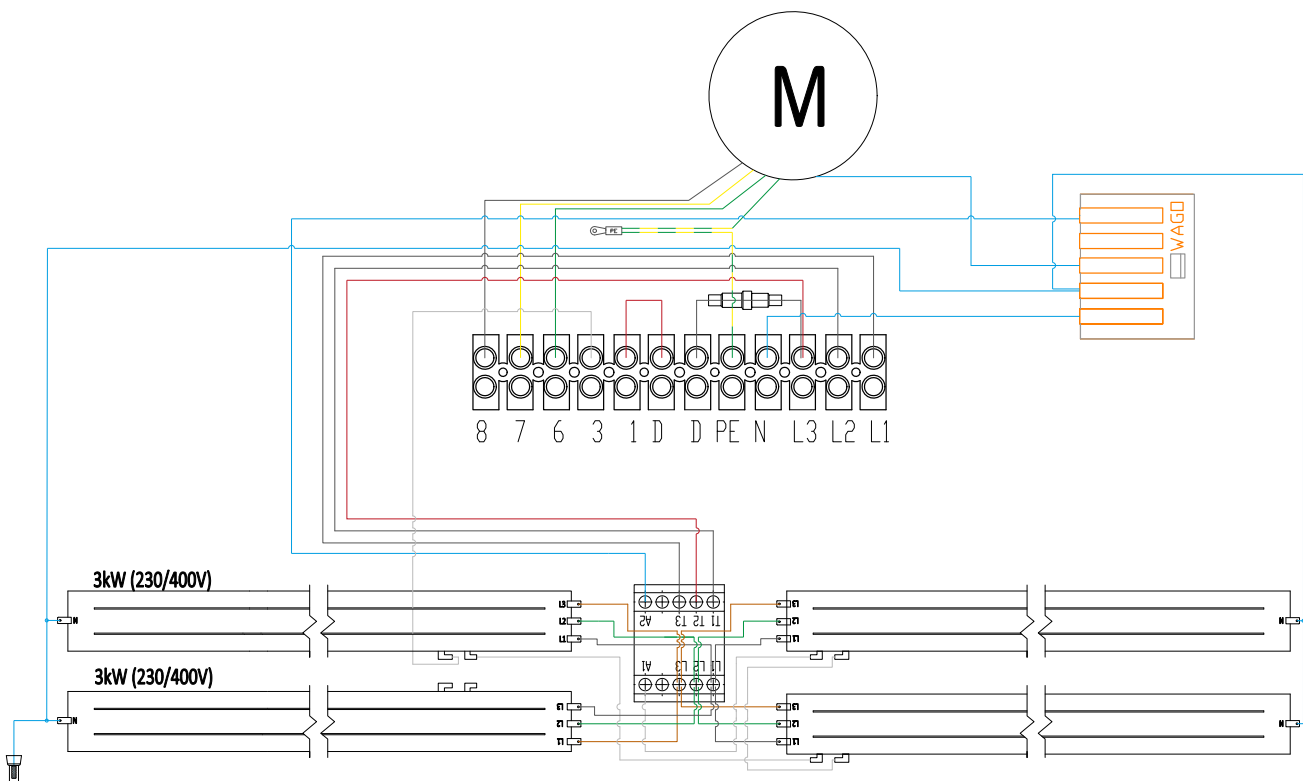




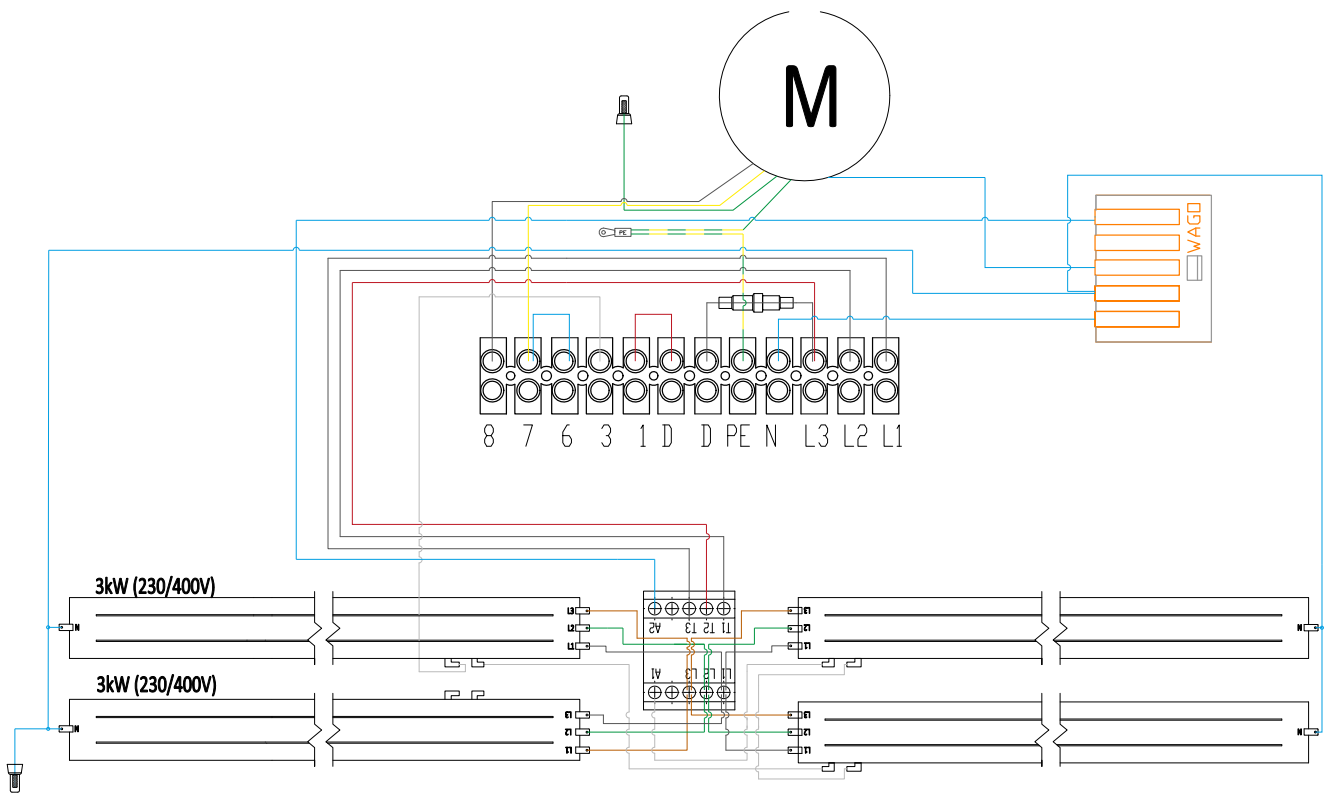
EASY PRO-E-100



EASY PRO-E-150



EASY PRO-E-200



EASY PRO-W/N-100/150/200

