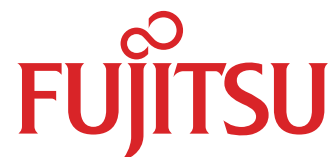


Split type room air conditioner
Wall mounted type



SERVICE MANUAL



Indoor unit	Outdoor unit
ASYG18KMTA	AOYG18KMTA
ASYG24KMTA	AOYG24KMTA

CONTENTS

SPECIFICATIONS	1
DIMENSIONS	4
REFRIGERANT SYSTEM DIAGRAM	7
PCB CIRCUIT DIAGRAM	9
ERROR DETECTION	12
PARTS (INDOOR UNIT)	13
PARTS (OUTDOOR UNIT)	22
ACCESSORIES	34

Specifications (Indoor unit)

Type				Wall mounted		
				Inverter heat pump		
Model name				ASYG18KMTA	ASYG24KMTA	
Power supply				230 V ~ 50 Hz		
Power supply intake				Outdoor unit		
Available voltage range				198—264 V		
Capacity	Cooling	Rated	kW	5.20	7.10	
			Btu/h	17,700	24,200	
		Min.—Max.	kW	0.90—6.00	0.90—8.30	
	Heating	Rated	Btu/h	3,100—20,500	3,100—28,300	
			kW	6.30	8.00	
			Btu/h	21,500	27,200	
Min.—Max.		kW	0.90—8.70	0.90—10.10		
		Btu/h	3,100—29,600	3,100—34,400		
		kW	1.39	2.08		
Input power	Cooling	Min.—Max.	kW	0.09—1.66	0.24—3.15	
		Rated	1.56	1.91		
	Heating	Min.—Max.	0.09—2.86	0.14—3.00		
		Fan	HIGH	37.5	61.6	
			MED	22.9	26.7	
			LOW	13.3	13.3	
QUIET	8.2		8.2			
Current	Cooling	Rated	A	6.1	9.3	
	Heating		7.0	8.6		
EER	Cooling			3.74	3.41	
COP	Heating			4.04	4.19	
Sensible capacity	Cooling			4.05	5.30	
Power factor	Cooling			98	98	
	Heating			98	96	
Moisture removal			L/h (pints/h)	1.7 (3.0)	2.7 (4.8)	
Maximum operating current *1	Cooling			9.5	13.5	
	Heating			13.5	16.0	
Fan	Airflow rate	Cooling	HIGH	980	1,170	
			MED	810	850	
			LOW	640	640	
			QUIET	510	510	
		Heating	HIGH	1,020	1,170	
			MED	850	850	
			LOW	640	640	
			QUIET	510	510	
	Type × Q'ty					Cross flow fan × 1
	Motor output			W	59	
Sound pressure level *2	Cooling		HIGH	45	49	
			MED	40	40	
			LOW	35	35	
			QUIET	29	29	
	Heating		HIGH	46	49	
			MED	40	40	
			LOW	35	35	
			QUIET	29	29	
Heat exchanger type	Dimensions (H × W × D)		mm	Main1: 210 × 798 × 26.6, Main2: 135 × 798 × 20 Sub1: 84 × 798 × 13.3, Sub2: 84 × 798 × 13.3		
	Fin pitch			Main1: 1.2, Main2: 1.1 Sub1: 1.4, Sub2: 1.4		
	Rows × Stages			Main1: 2 × 10, Main2: 2 × 8 Sub1: 1 × 4, Sub2: 1 × 4		
	Pipe type			Copper		
	Fin type			Aluminum		
Enclosure	Material		Polystyrene			
	Color		White Approximate color of Munsell N 9.25/			
Dimensions (H × W × D)	Net			mm	280 × 980 × 240	
	Gross			mm	322 × 1,078 × 346	
Weight	Net			kg	12.5	
	Gross			kg	18	
Connection pipe	Size	Liquid			mm (in)	Ø 6.35 (Ø 1/4)
		Gas			mm (in)	Ø 12.70 (Ø 1/2)
Drain hose	Method		Flare			
	Material		PP + HDPE			
Operation range	Cooling			°C	18 to 32	
				%RH	80 or less	
	Heating			°C	16 to 30	
Remote control				Wireless remote controller (Option: Wired remote controller, Mobile app*3 [FGLair™])		
NOTES: <ul style="list-style-type: none"> Specifications are based on the following conditions: <ul style="list-style-type: none"> Cooling: Indoor temperature of 27 °CDB/19 °CWB, and outdoor temperature of 35 °CDB/24 °CWB. Heating: Indoor temperature of 20 °CDB/15 °CWB, and outdoor temperature of 7 °CDB/6 °CWB. Pipe length: 5 m, Height difference: 0 m. (Between outdoor unit and indoor unit.) Protective function might work when using it outside the operation range. *1: Maximum operating current is the total current of the indoor unit and the outdoor unit. *2: Sound pressure level: <ul style="list-style-type: none"> Measured values in manufacturer's anechoic chamber. Because of the surrounding sound environment, the sound levels measured in actual installation conditions might be higher than the specified values here. *3: Available on Google Play™ store or on App Store®. Optional WLAN adapter is also required. For details, refer to the setting manual. 						

Specifications (Indoor unit) continues

Specifications for ErP Lot10				
Model name			ASYG18KMTA	ASYG24KMTA
Energy efficiency class	Cooling		A ⁺⁺	
	Heating (Average)		A ⁺	
Pdesign	Cooling	kW	5.2 (35°C)	7.1 (35°C)
	Heating (Average)		4.8 (-10°C)	7.1 (-10°C)
SEER	Cooling	kWh/kWh	7.77	7.28
SCOP	Heating (Average)		4.56	4.18
Annual energy consumption	QCE		234	341
	QHE (Average)		1,472	2,372
Sound power level	Cooling	HIGH	dB (A)	60
	Heating			61

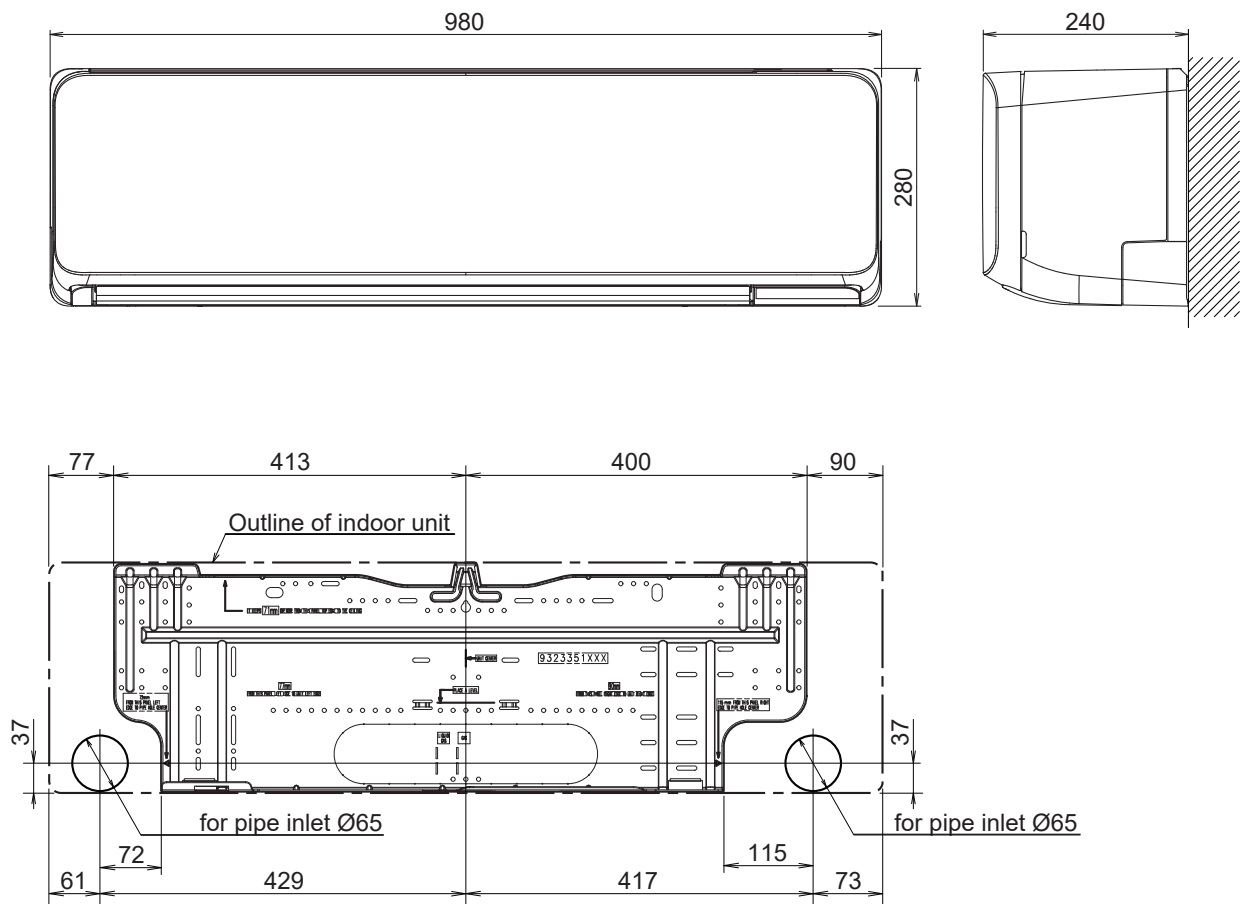
Specifications (Outdoor unit)

Type			Inverter heat pump		
Model name			AOYG18KMTA	AOYG24KMTA	
Power supply			230 V ~ 50 Hz		
Power supply intake			Outdoor unit		
Available voltage range			198—264 V		
Starting current			A		
			7.0	8.6	
Fan	Airflow rate	Cooling	m ³ /h	2,350	3,240
		Heating		2,100	2,820
	Type × Q'ty	Propeller fan × 1			
Motor output			W	49	
Sound pressure level *1			Cooling	50	54
			Heating	50	52
Sound power level			Cooling	65	67
			Heating	65	66
Heat exchanger type			Dimensions (H × W × D)	588 × 881 × 18.19	672 × 881 × 18.19
			588 × 851 × 18.19	672 × 851 × 18.19	
			Fin pitch	1.3	
			Rows × Stages	1 × 28	1 × 32
			Pipe type	Copper tube	
			Fin type	Aluminum	
			Type (Material)	PC fin	
			Surface treatment		
Compressor			Type	DC twin rotary	
			Motor output	W	900
				1,020	1,320
Refrigerant			Type (Global warming potential)	R32 (675)	
			Charge	g	
Refrigerant oil			Type	FW68S	RmM68AF
			Amount	cm ³	350
					400
Enclosure			Material	Steel sheet	
			Color	Beige	
				Approximate color of Munsell 10YR 7.5/1.0	
Dimensions (H × W × D)			Net	632 × 799 × 290	716 × 820 × 315
			Gross	692 × 940 × 375	776 × 961 × 450
Weight			Net	36	42
			Gross	40	46
Connection pipe			Size	Liquid	Ø 6.35 (Ø 1/4)
				Gas	Ø 12.70 (Ø 1/2)
			Method	Flare	
			Pre-charge length	15	
			Max. length	25	30
			Max. height difference	20	25
Operation range			Cooling	-10 to 46	
			Heating	-15 to 24	
Drain hose			Material	PP	
			Size	mm	
				Ø 13.0 (I. D.), Ø 16.0 to Ø 16.7 (O. D.)	
NOTES:					
<ul style="list-style-type: none"> • Specifications are based on the following conditions: <ul style="list-style-type: none"> – Cooling: Indoor temperature of 27 °CDB/19 °CWB, and outdoor temperature of 35 °CDB/24 °CWB. – Heating: Indoor temperature of 20 °CDB/15 °CWB, and outdoor temperature of 7 °CDB/6 °CWB. – Pipe length: 5 m, Height difference: 0 m. • Protective function might work when using it outside the operation range. • *1: Sound pressure level <ul style="list-style-type: none"> – Measured values in manufacturer's anechoic chamber. – Because of the surrounding sound environment, the sound levels measured in actual installation conditions might be higher than the specified values here. 					

Dimensions

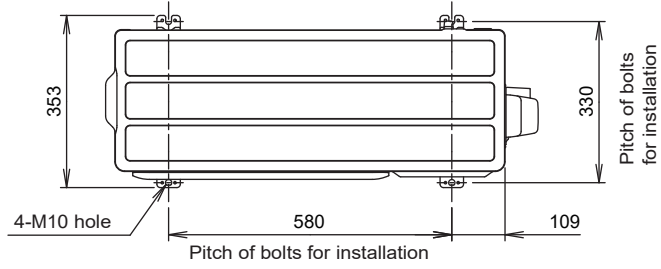
Models: ASYG18KMTA and ASYG24KMTA

Unit: mm

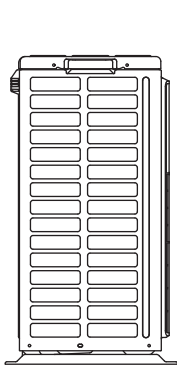


Model: AOYG18KMTA

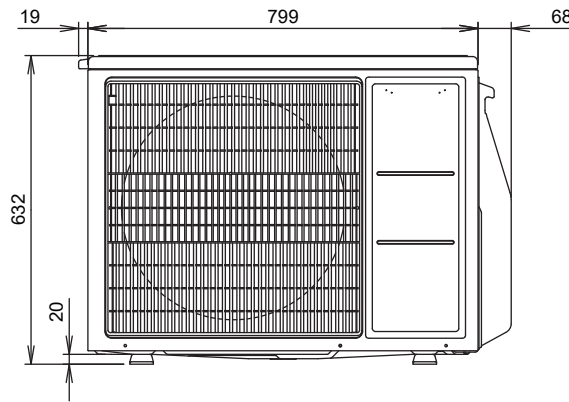
Unit: mm



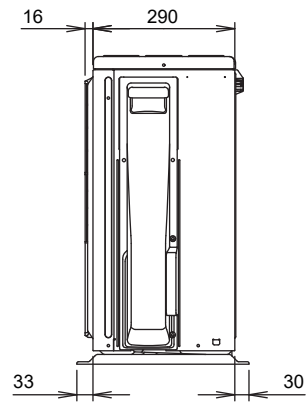
Top view



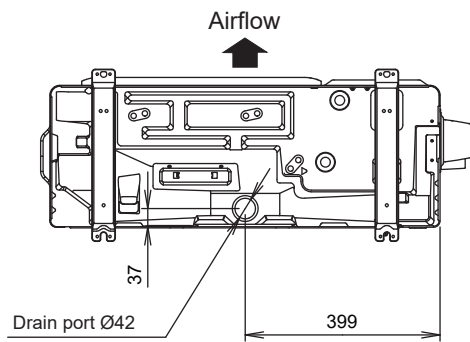
Side view



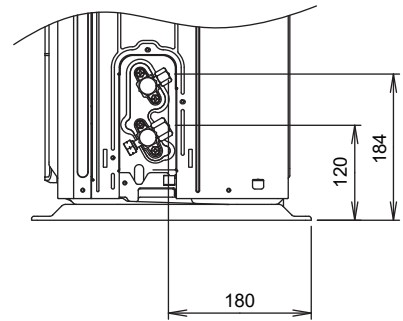
Front view



Side view



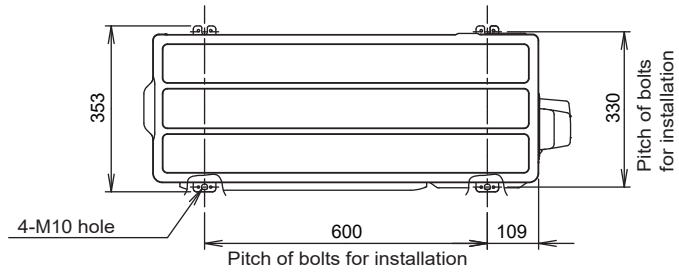
Bottom view



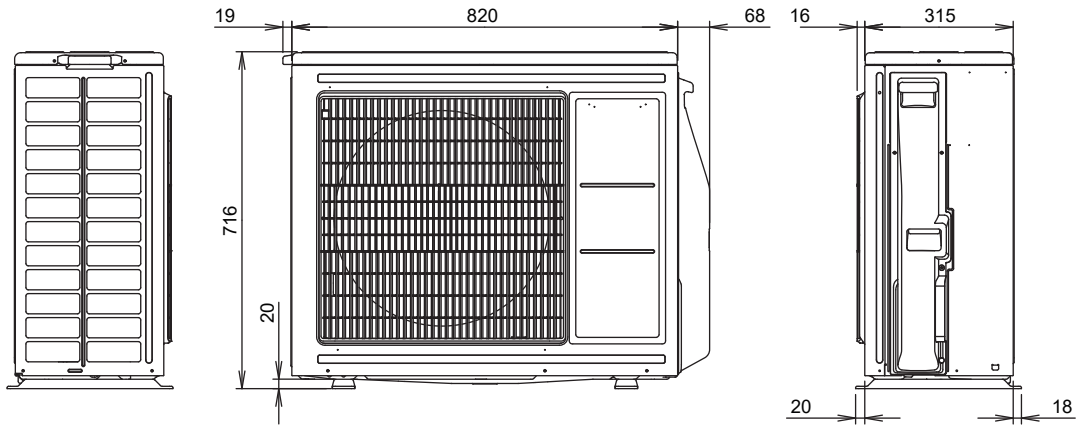
Side view (Valve part)

Model: AOYG24KMTA

Unit: mm



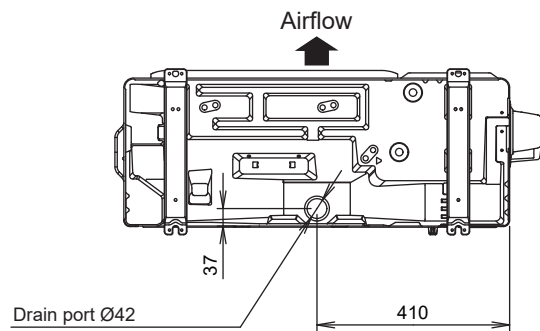
Top view



Side view

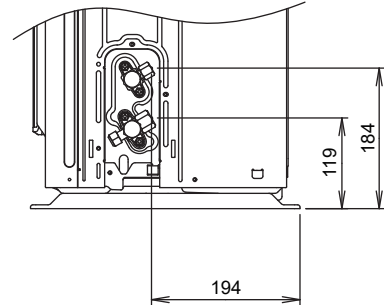
Front view

Side view



Drain port Ø42

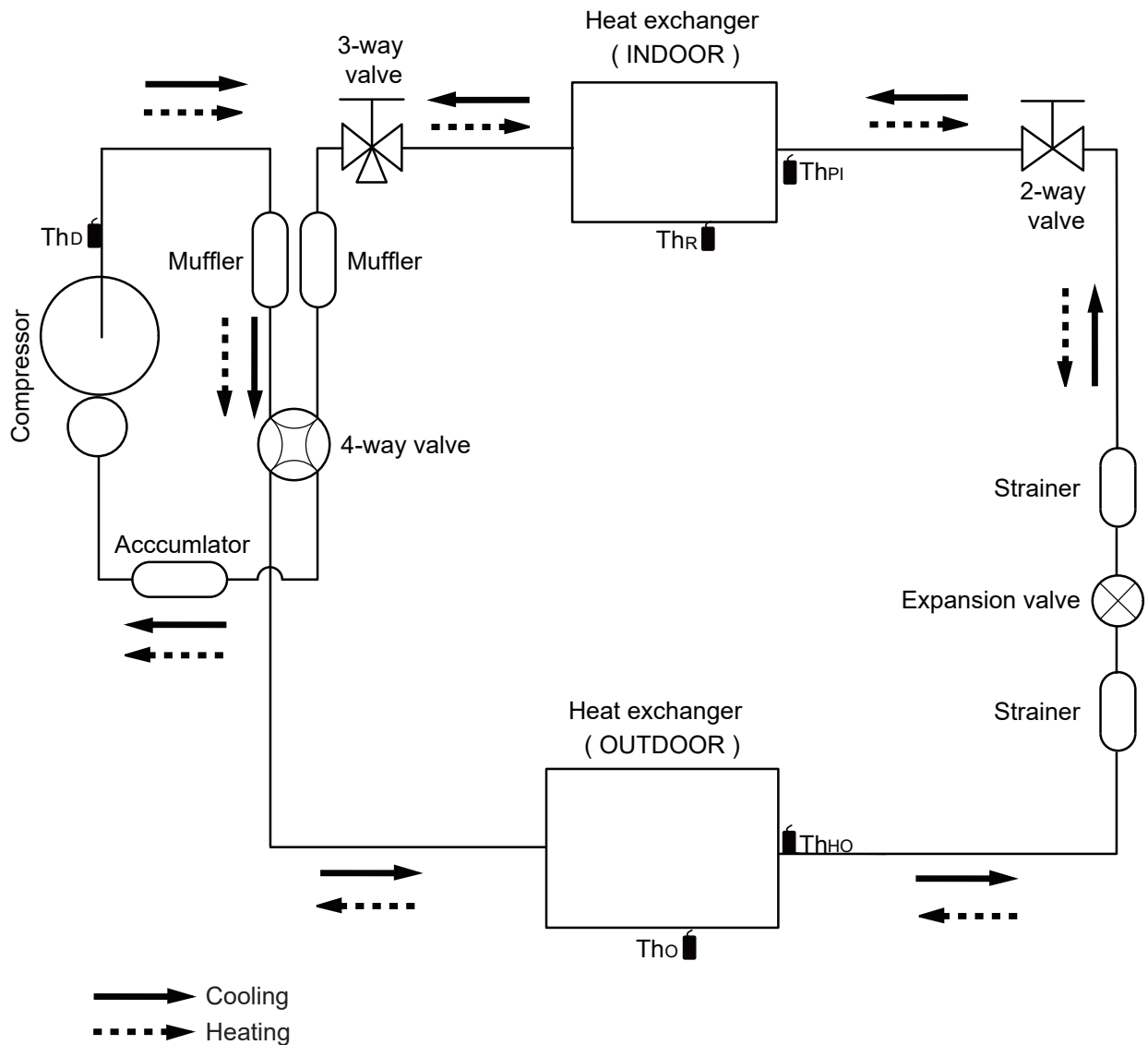
Bottom view



Side view (Valve part)

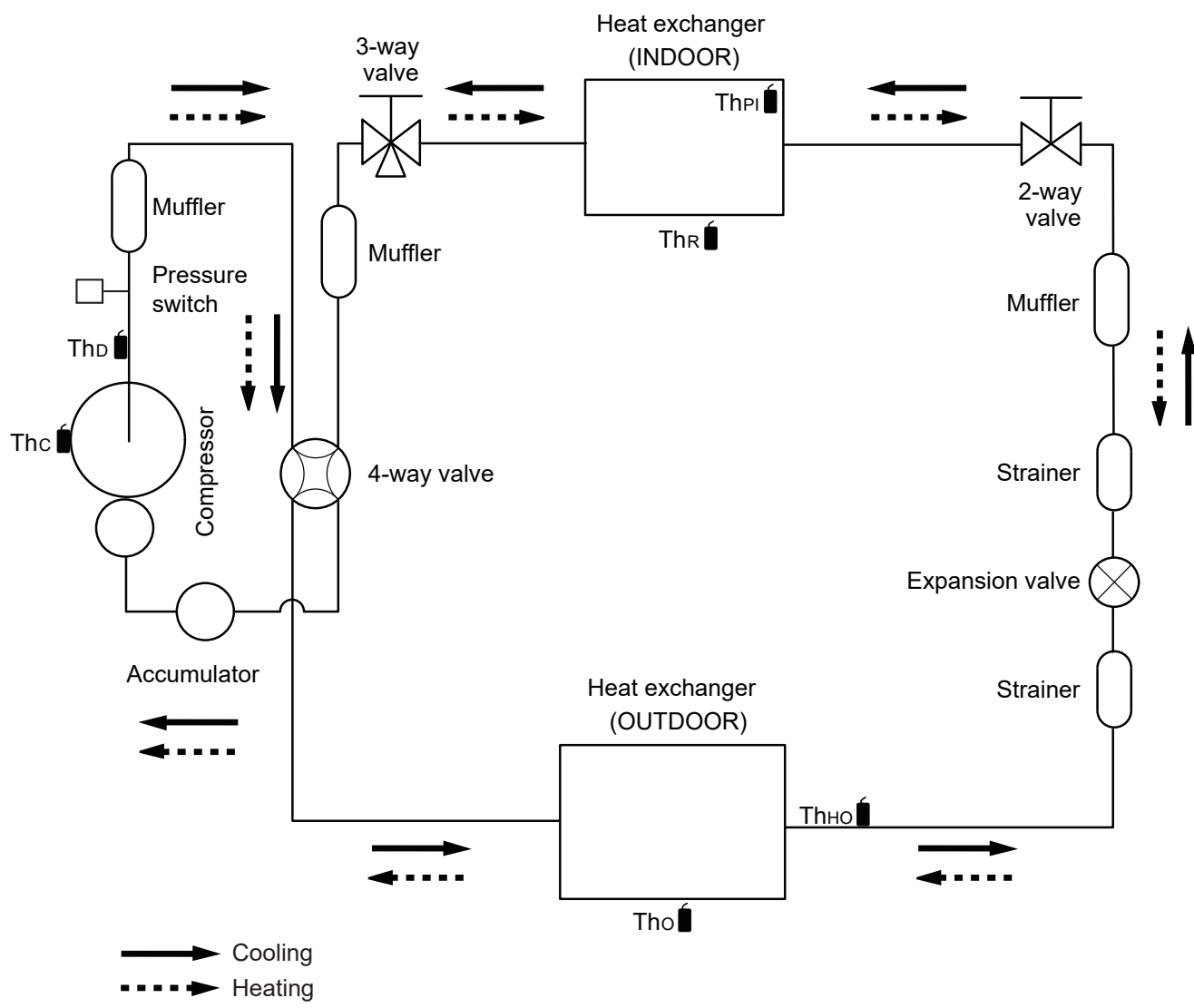
Refrigerant circuit

Models: ASYG18KMTA/AOYG18KMTA



- Cooling
- Heating
- Th_D : Thermistor (Discharge temperature)
- Th_O : Thermistor (Outdoor temperature)
- Th_{HO} : Thermistor (Heat exchanger out temperature)
- Th_R : Thermistor (Room temperature)
- Th_{PI} : Thermistor (Pipe temperature)

Models: ASYG24KMTA/AOYG24KMTA



INDOOR PRINTED CIRCUIT BOARD CIRCUIT DIAGRAM

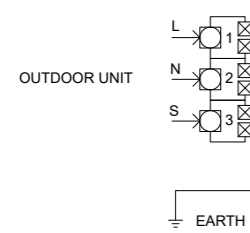
Models : ASYG18KMTA
ASYG24KMTA

CONTROL UNIT
ASYG18KMTA : EZ-0183AHSE
ASYG24KMTA : EZ-0183BHSE

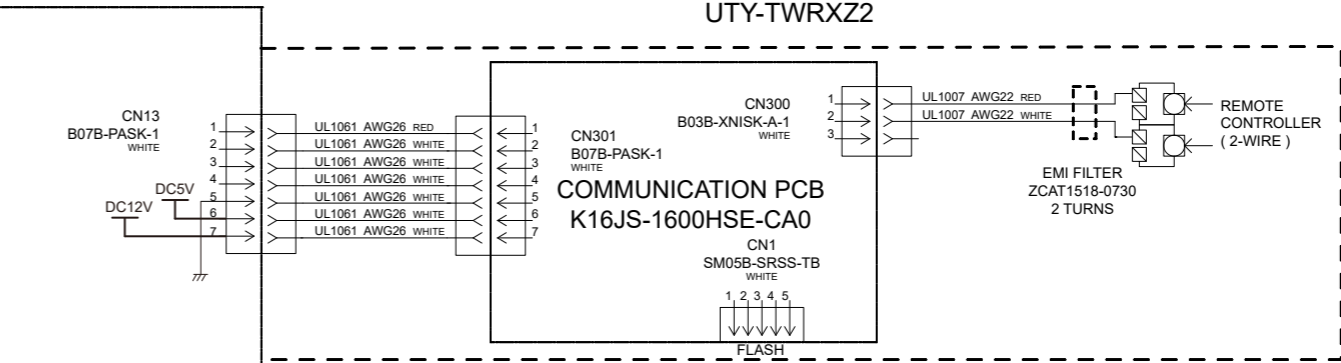
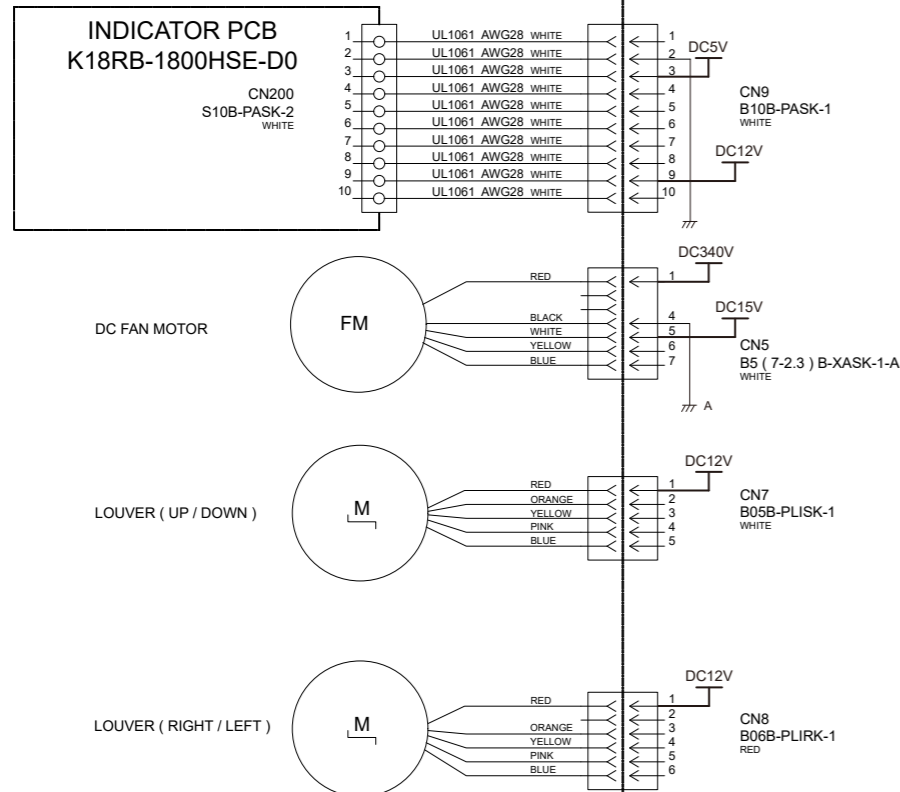
2-WIRE REMOTE CONTROL UNIT (OPTION)
UTY-TWRXZ2

CN5 DC Fan motor

Pin No.	Terminal code	Function of terminal	Lead wire color
1	Vm	Motor power voltage input	Red
2	---	---	---
3	---	---	---
4	GND	GND	Black
5	Vcc	Control power voltage input	White
6	Vsp	Speed control voltage input	Yellow
7	FG	Revolution pulse output	Blue

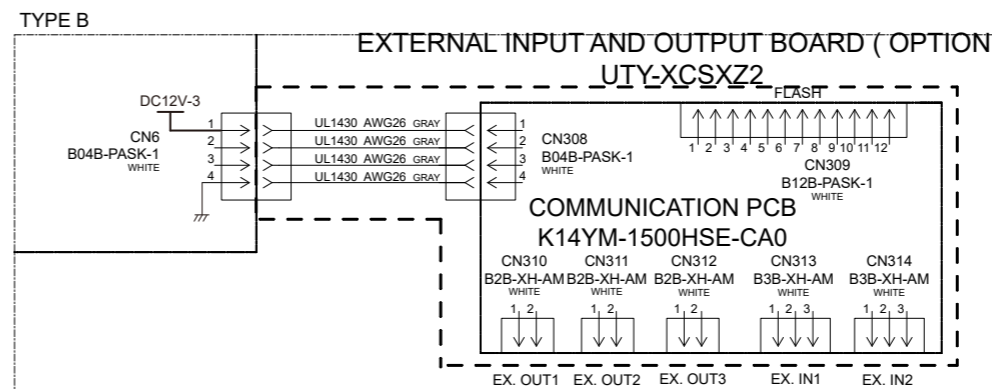
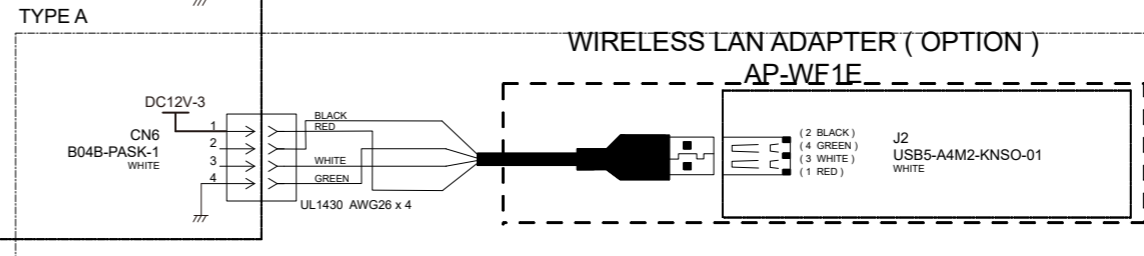
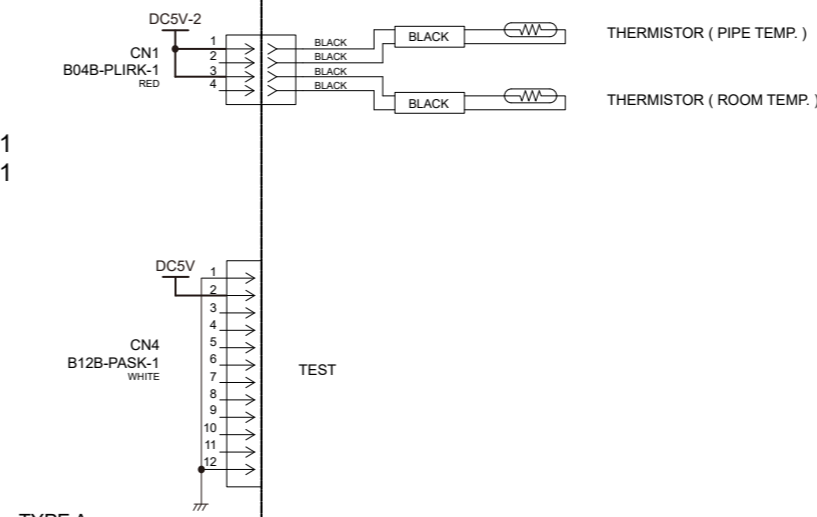


MAIN PCB
ASYG18KMTA : K18RA-180AHSE-C1
ASYG24KMTA : K18RA-180BHSE-C1



CN1 Thermistor Characteristics.

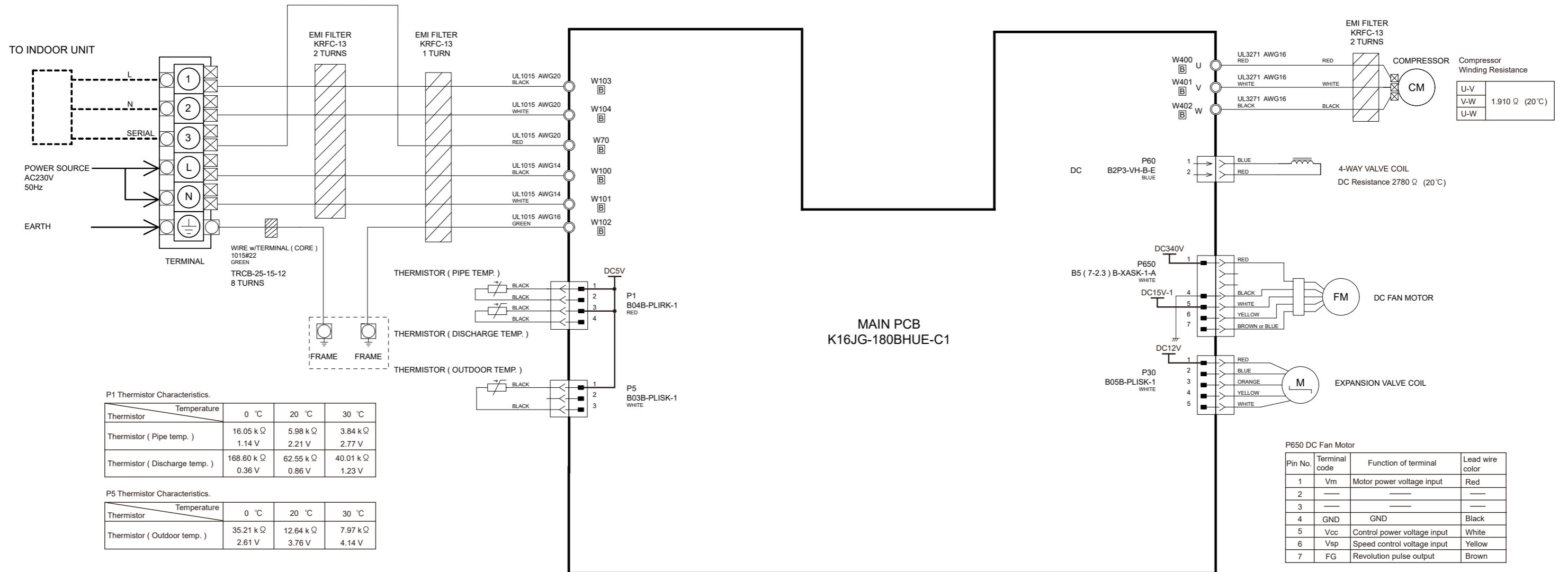
Thermistor	Temperature		
	(0°C)	(20°C)	(30°C)
Thermistor (Pipe temp.)	176.03 k Ω	62.91 k Ω	39.57 k Ω
Thermistor (Room temp.)	1.10 V	2.21 V	2.79 V
Thermistor (Room temp.)	33.62 k Ω	12.54 k Ω	8.04 k Ω
Thermistor (Room temp.)	1.15 V	2.22 V	2.77 V



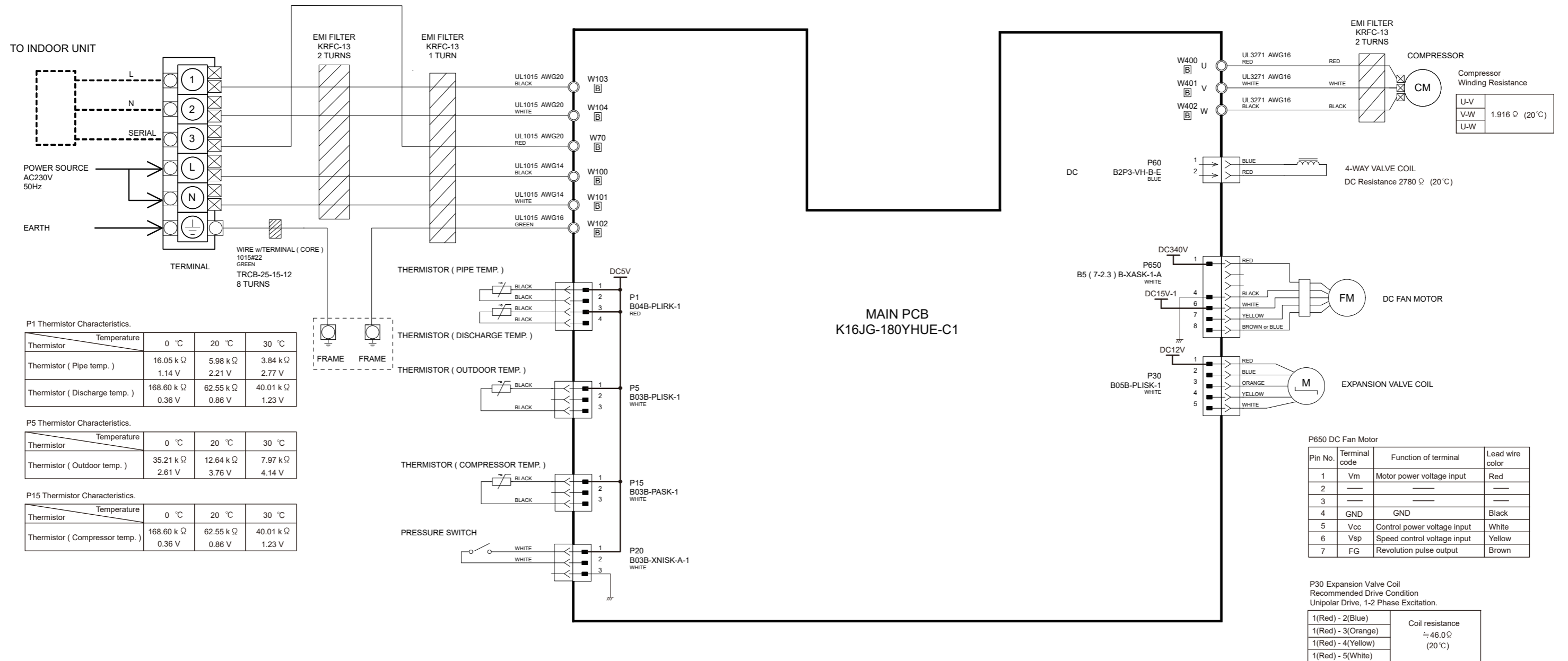
OUTDOOR PRINTED CIRCUIT BOARD CIRCUIT DIAGRAM

Model : AOYG18KMTA

INVERTER ASSEMBLY EZ-01827HUE



INVERTER ASSEMBLY
EZ-0182YHUE



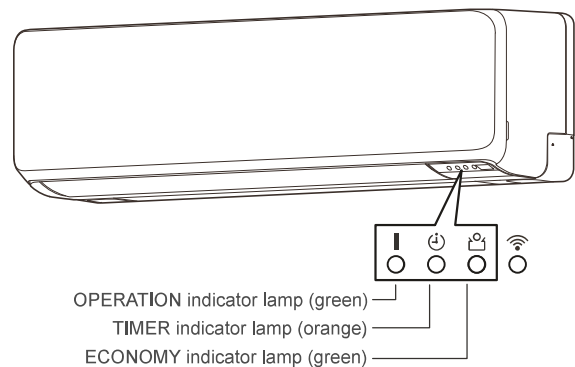
Error detection

Error display			Error code	Description
OPERATION lamp (green)	TIMER lamp (orange)	ECONOMY lamp (green)		
●(2)	●(6)	◇	26	Indoor unit address setting error
●(2)	●(7)	◇	27	Primary unit, secondary unit setup error [Simultaneous Multi]
●(2)	●(9)	◇	29	Connection unit number error in wired remote controller system
●(3)	●(1)	◇	31	Power supply interruption error
●(3)	●(2)	◇	32	Indoor unit PCB model information error
●(3)	●(3)	◇	33	Indoor unit motor electricity consumption detection error
●(3)	●(5)	◇	35	Manual auto switch error
●(3)	●(9)	◇	39	Indoor unit power supply error for fan motor
●(3)	●(10)	◇	3A	Indoor unit communication circuit (wired remote controller) error
●(4)	●(1)	◇	41	Room temp. sensor error
●(4)	●(2)	◇	42	Indoor unit heat ex. middle temp. sensor error
●(5)	●(1)	◇	51	Indoor unit fan motor error
●(5)	●(3)	◇	53	Drain pump error
●(5)	●(4)	◇	54	Electric air cleaner reverse VDD error
●(5)	●(5)	◇	55	Filter set error
●(5)	●(7)	◇	57	Damper error
●(5)	●(8)	◇	58	Intake grille error
●(5)	●(9)	◇	59	Indoor unit fan motor 2 error (Left side fan)
●(5)	●(10)	◇	5A	Indoor unit fan motor 3 error (Right side fan)
●(5)	●(15)	◇	5U	Indoor unit error
●(6)	●(1)	◇	61	Outdoor unit reverse/missing phase and wiring error
●(6)	●(2)	◇	62	Outdoor unit main PCB model information error or communication error
●(6)	●(3)	◇	63	Inverter error
●(6)	●(4)	◇	64	Active filter error, PFC circuit error
●(6)	●(5)	◇	65	Trip terminal L error
●(6)	●(8)	◇	68	Outdoor unit rush current limiting resistor temp. rise error
●(6)	●(10)	◇	6A	Display PCB microcomputers communication error
●(7)	●(1)	◇	71	Discharge temp. sensor error
●(7)	●(2)	◇	72	Compressor temp. sensor error
●(7)	●(3)	◇	73	Outdoor unit Heat Ex. liquid temp. sensor error
●(7)	●(4)	◇	74	Outdoor temp. sensor error
●(7)	●(5)	◇	75	Suction Gas temp. sensor error
●(7)	●(6)	◇	76	• 2-way valve temp. sensor error • 3-way valve temp. sensor error
●(7)	●(7)	◇	77	Heat sink temp. sensor error

Error display			Error code	Description
OPERATION lamp (green)	TIMER lamp (orange)	ECONOMY lamp (green)		
●(8)	●(2)	◇	82	• Sub-cool Heat Ex. gas inlet temp. sensor error • Sub-cool Heat Ex. gas outlet temp. sensor error
●(8)	●(3)	◇	83	Liquid pipe temp. sensor error
●(8)	●(4)	◇	84	Current sensor error
●(8)	●(6)	◇	86	• Discharge pressure sensor error • Suction pressure sensor error • High pressure switch error
●(9)	●(4)	◇	94	Trip detection
●(9)	●(5)	◇	95	Compressor rotor position detection error (permanent stop)
●(9)	●(7)	◇	97	Outdoor unit fan motor 1 error
●(9)	●(8)	◇	98	Outdoor unit fan motor 2 error
●(9)	●(9)	◇	99	4-way valve error
●(9)	●(10)	◇	9A	Coil (expansion valve) error
●(10)	●(1)	◇	A1	Discharge temp. error
●(10)	●(3)	◇	A3	Compressor temp. error
●(10)	●(4)	◇	A4	High pressure error
●(10)	●(5)	◇	A5	Low pressure error
●(13)	●(2)	◇	J2	Branch boxes error [Flexible Multi]

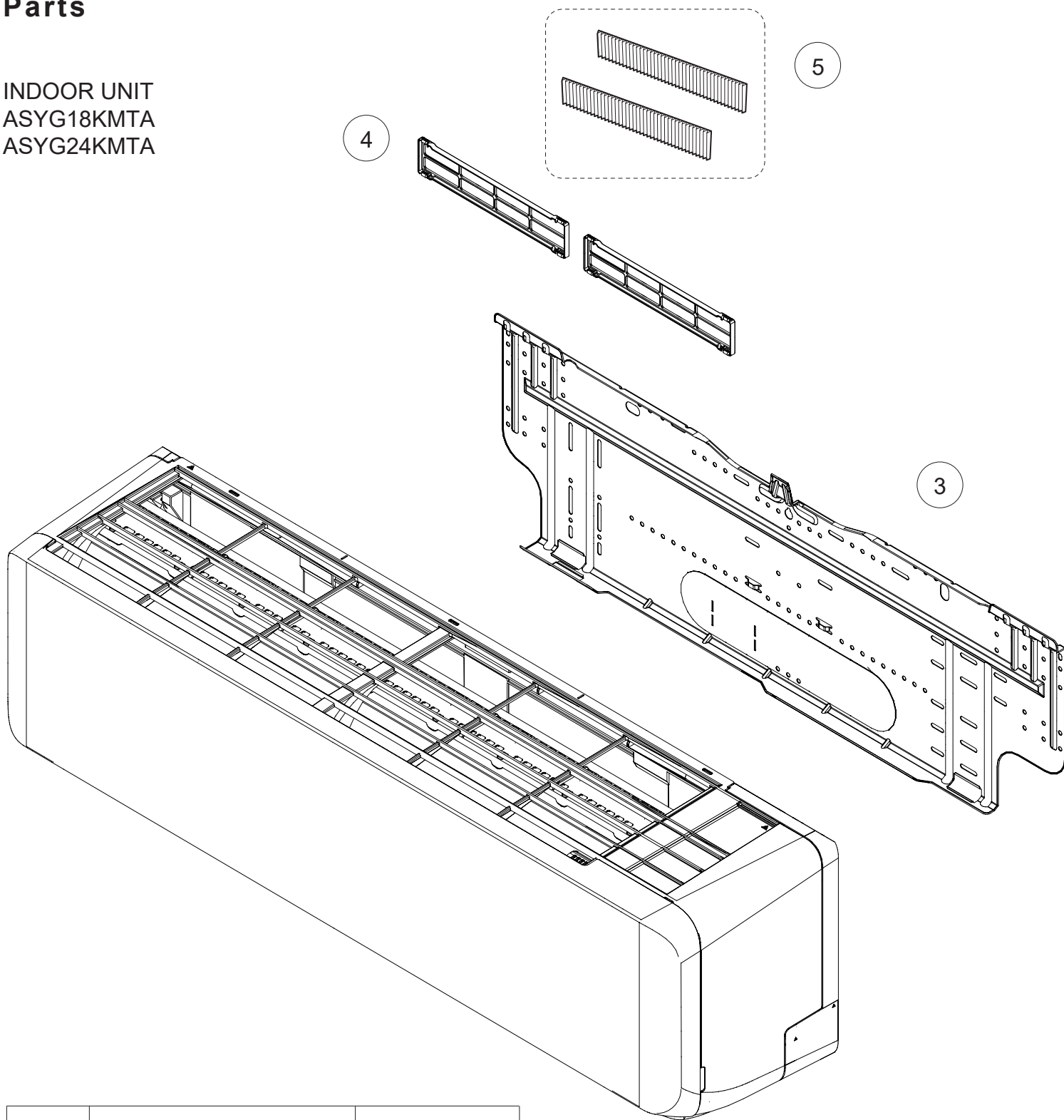
Display mode ● : 0.5s ON / 0.5s OFF
 ◇ : 0.1s ON / 0.1s OFF
 () : Number of flashing

■ Error display on the indoor unit

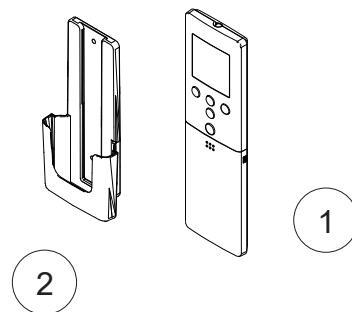


Parts

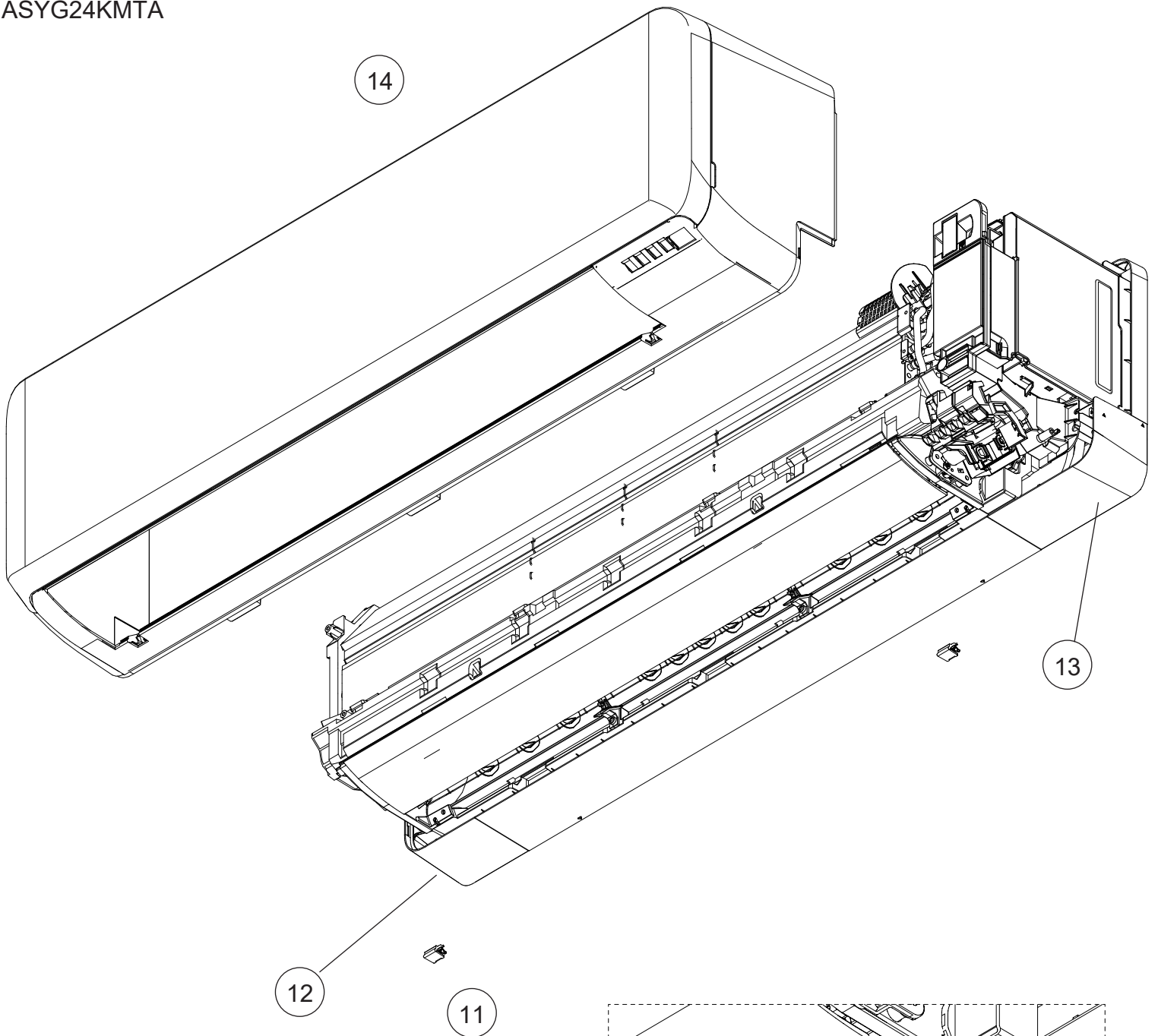
INDOOR UNIT
ASYG18KMTA
ASYG24KMTA



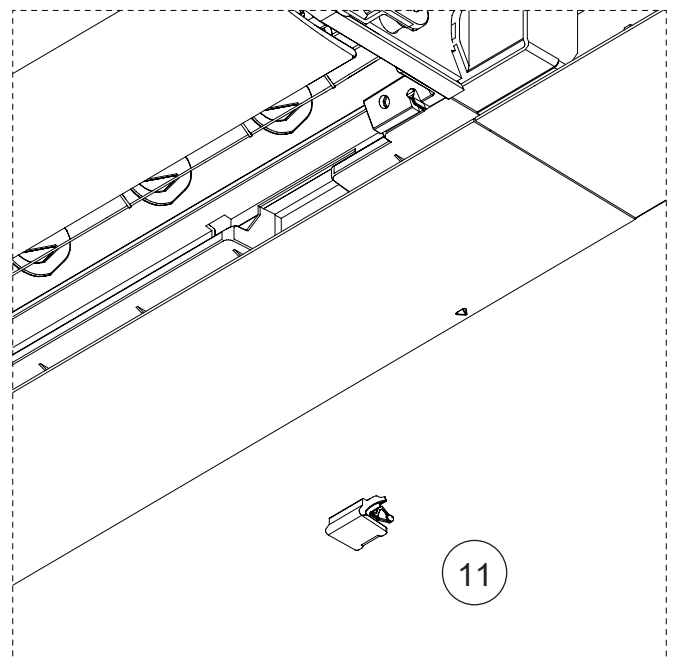
Ref.	Description	Part number
1	Remote control (no brand)	9383712012
2	Remote control holder	9318912005
3	Bracket panel	9323351004
4	Electric filter holder	9332911008
5	Air clean filter assy	9317250009



INDOOR UNIT
 ASYG18KMTA
 ASYG24KMTA

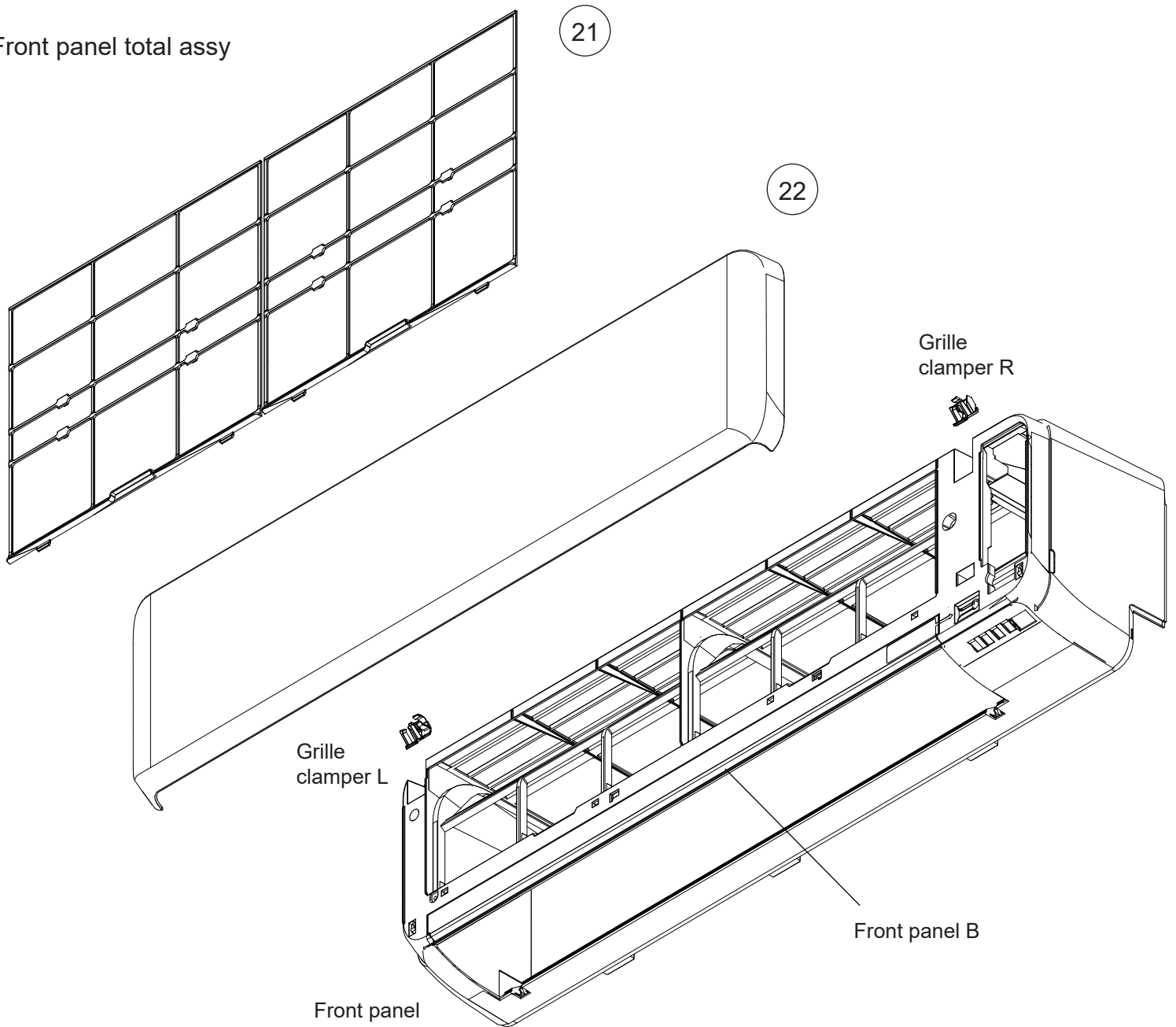


Ref.	Description	Part number
11	Screw cap	9387476002
12	Under cover L	9323341012
13	Under cover R	9323342019
14	Front panel total assy	9387596236

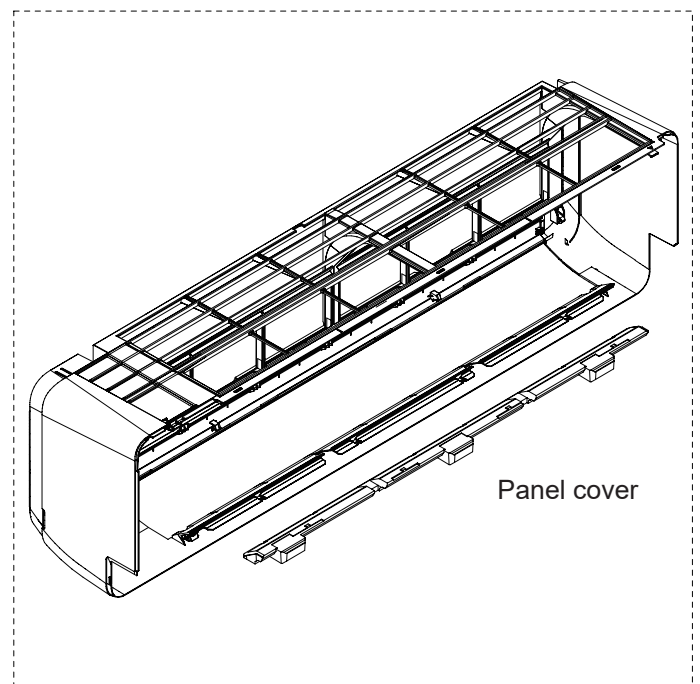


INDOOR UNIT
 ASYG18KMTA
 ASYG24KMTA

Front panel total assy

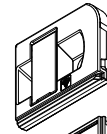


Ref.	Description	Part number
21	Air filter	9323340008
22	Intake grille assy (FUJITSU)	9387756067

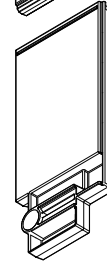


INDOOR UNIT
ASYG18KMTA
ASYG24KMTA

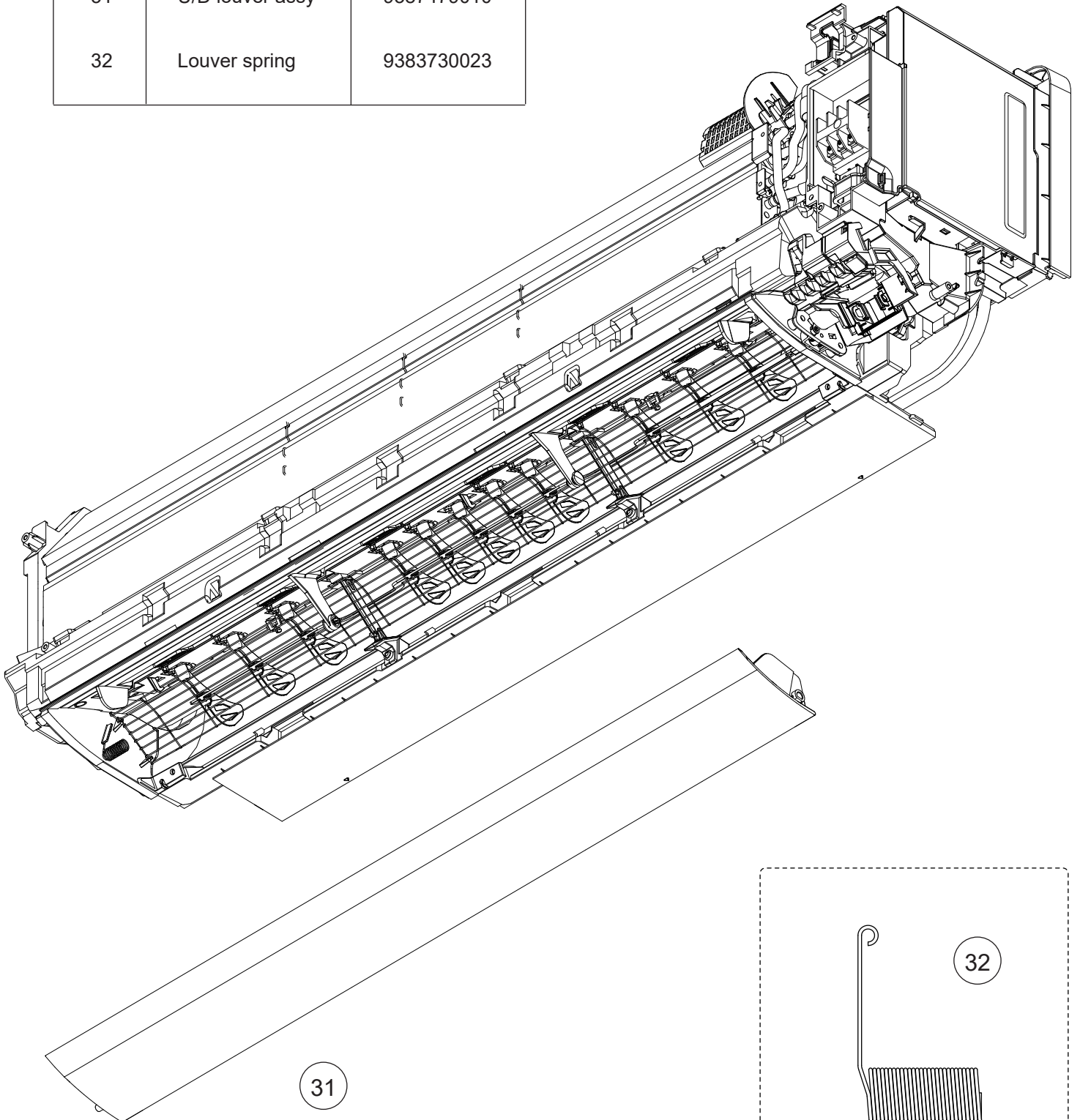
Ref.	Description	Part number
31	U/D louver assy	9387479010
32	Louver spring	9383730023



Wire cover B assy

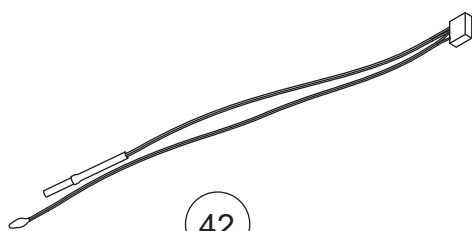
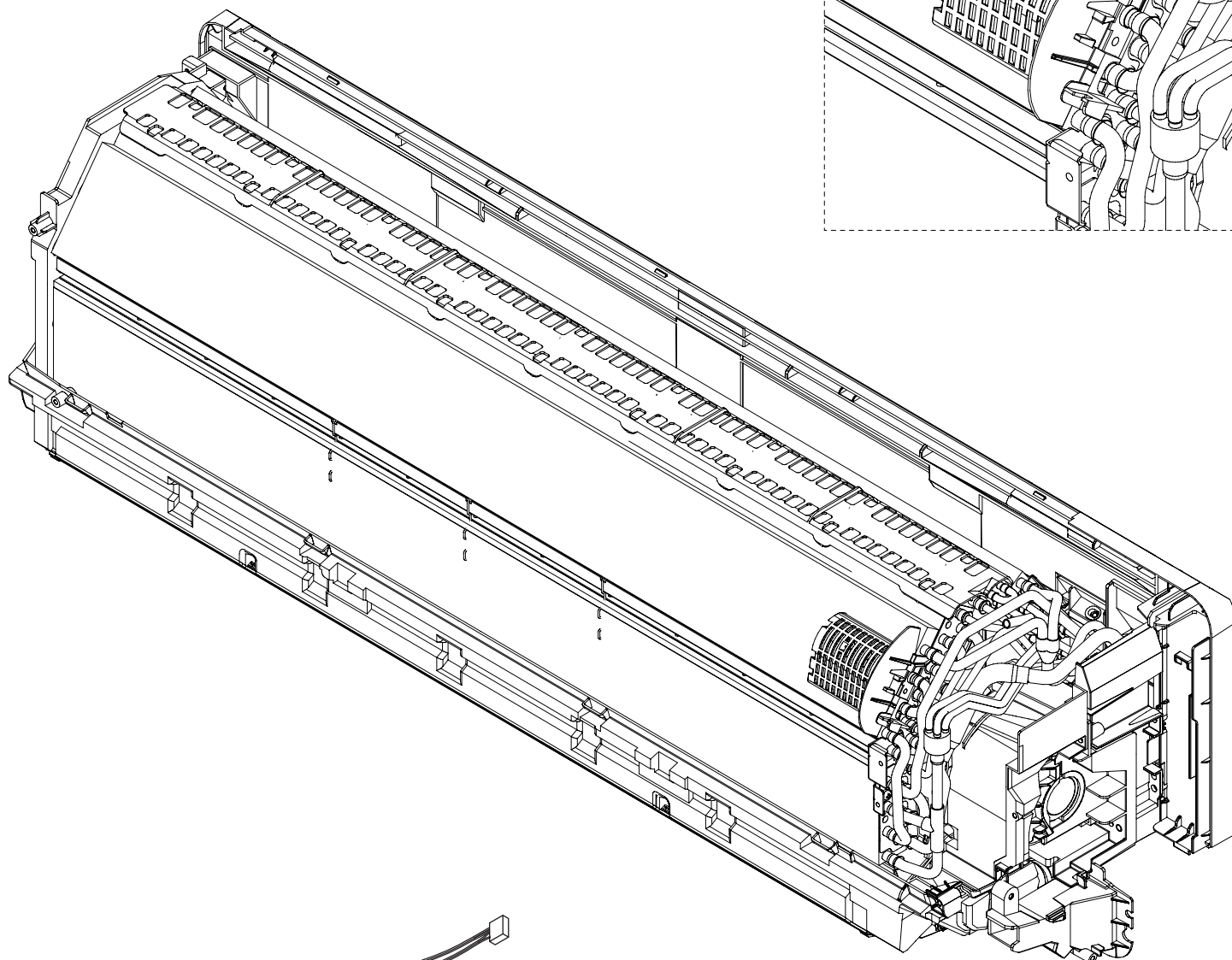
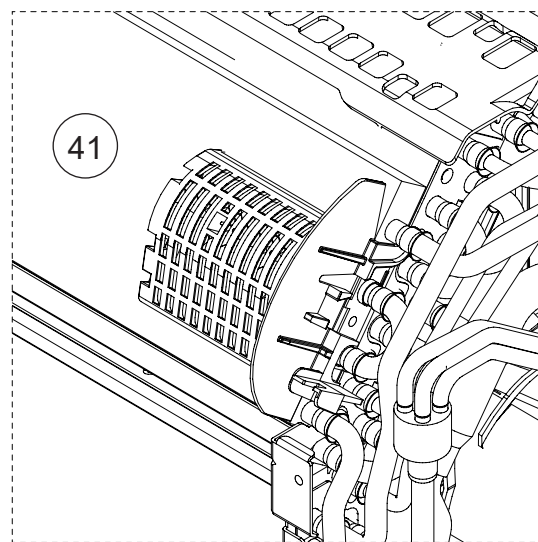


Wire cover assy

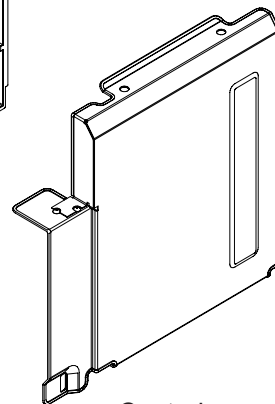
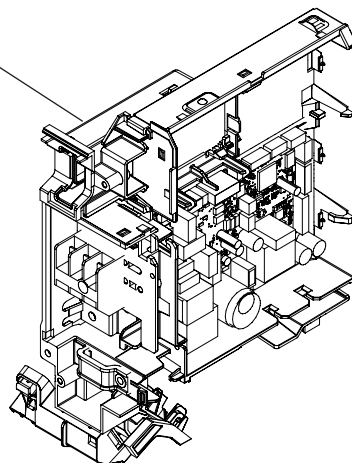


INDOOR UNIT
 ASYG18KMTA
 ASYG24KMTA

Control box



Wifi holder assy

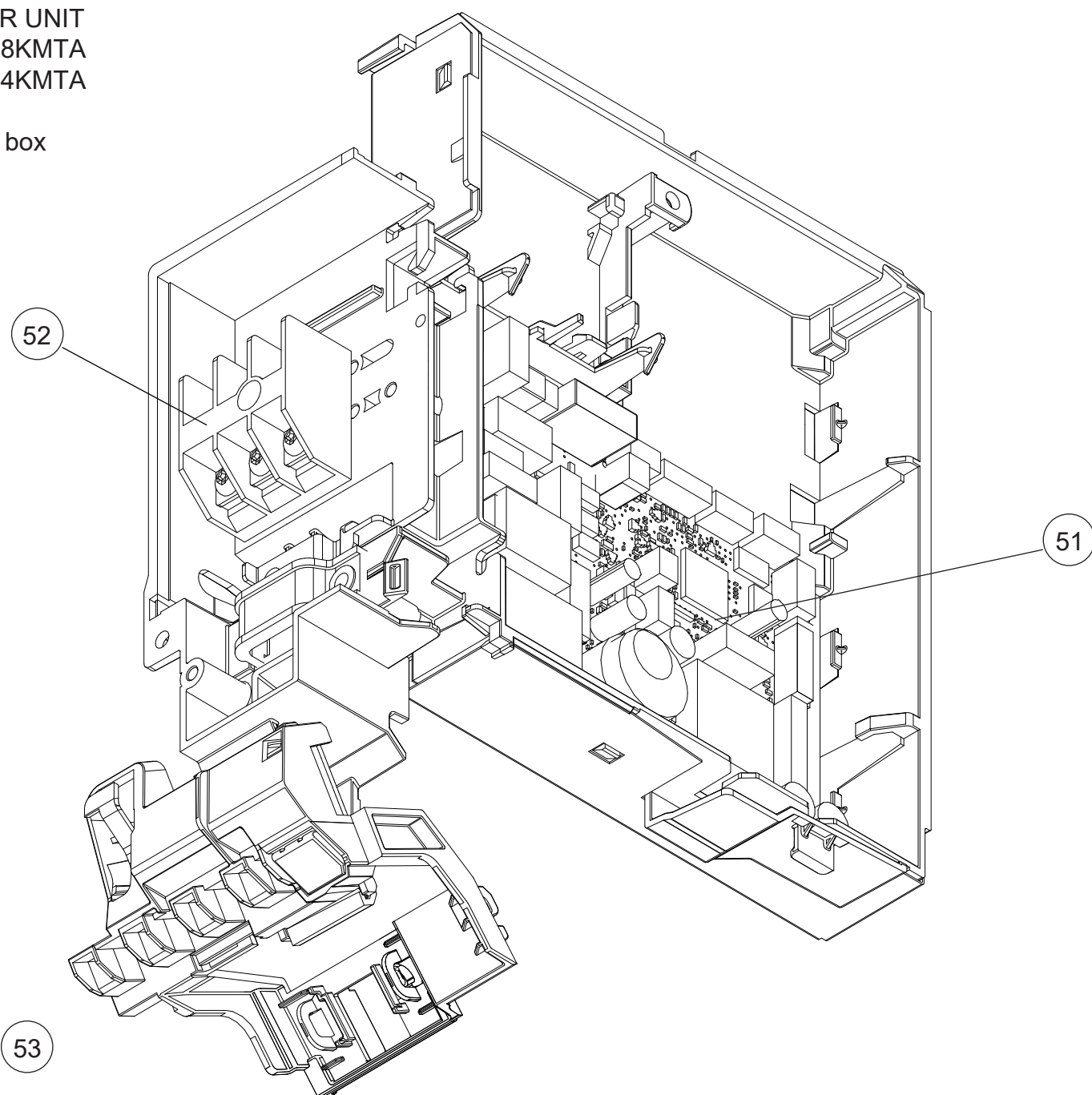


Control cover

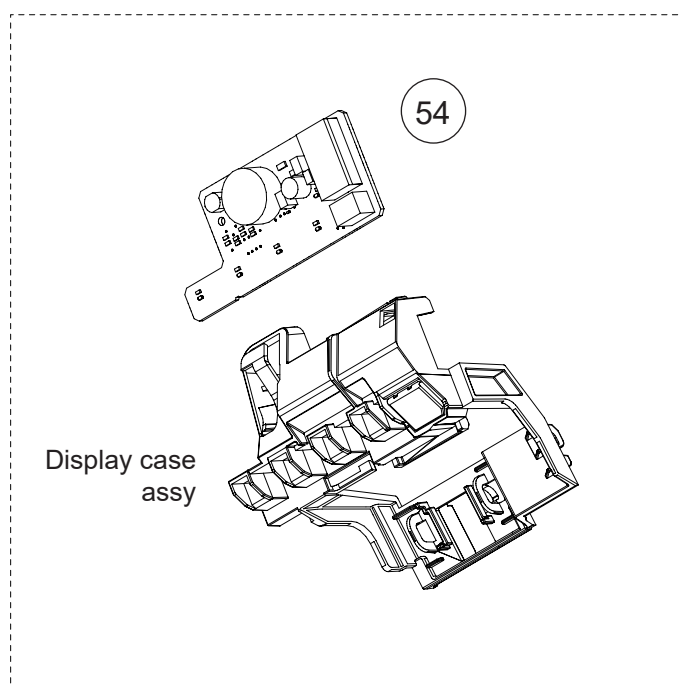
Ref.	Description	Part number
41	Room thermistor holder	9387467000
42	Thermistor assy	9900627041

INDOOR UNIT
ASYG18KMTA
ASYG24KMTA

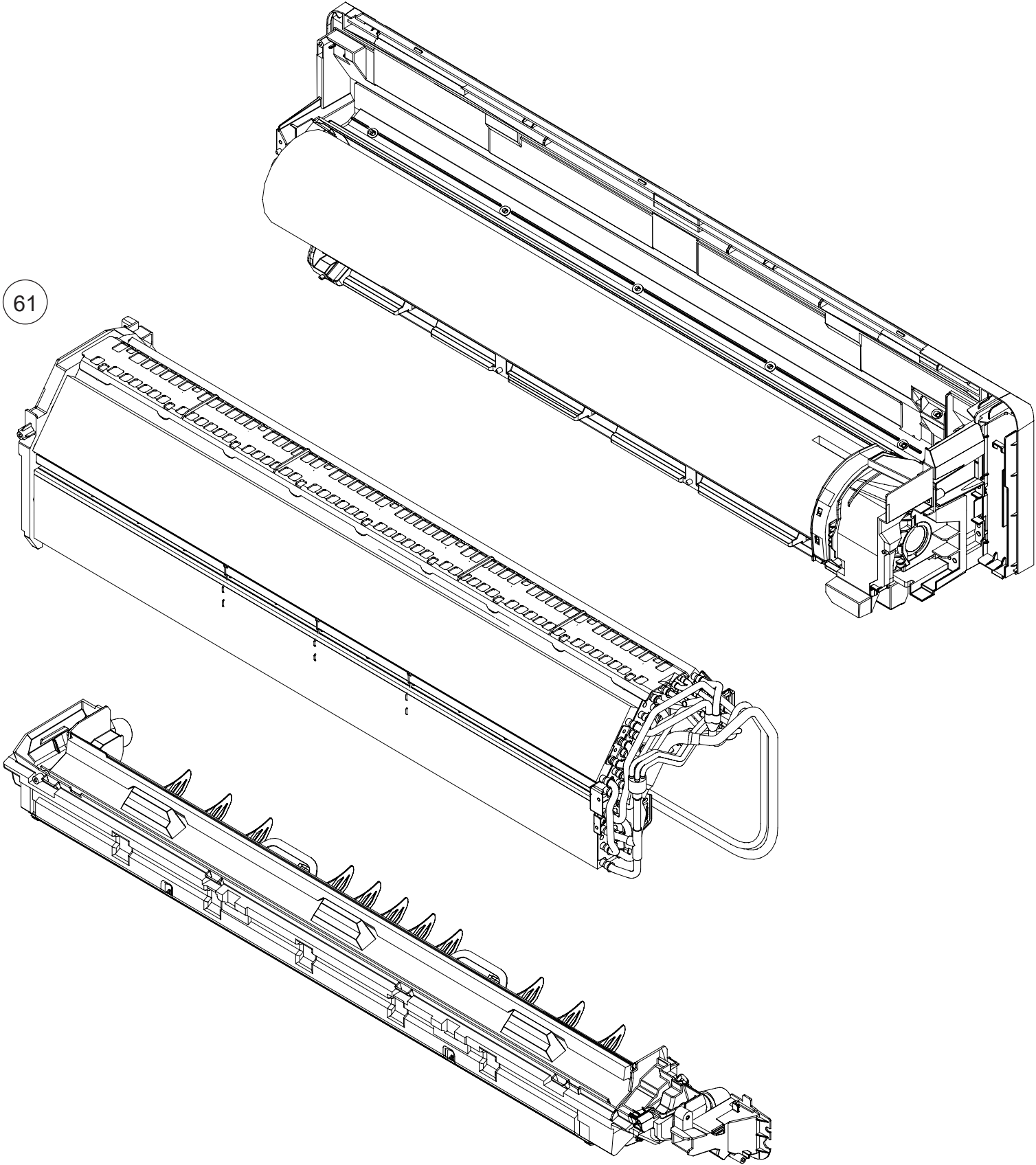
Control box



Ref.	Description	Part number
51	Main PCB (ASYG18)	9711141118
51	Main PCB (ASYG24)	9711141125
52	Terminal	9306489045
53	Display assy	9711146052
54	Indicator PCB	9711147011



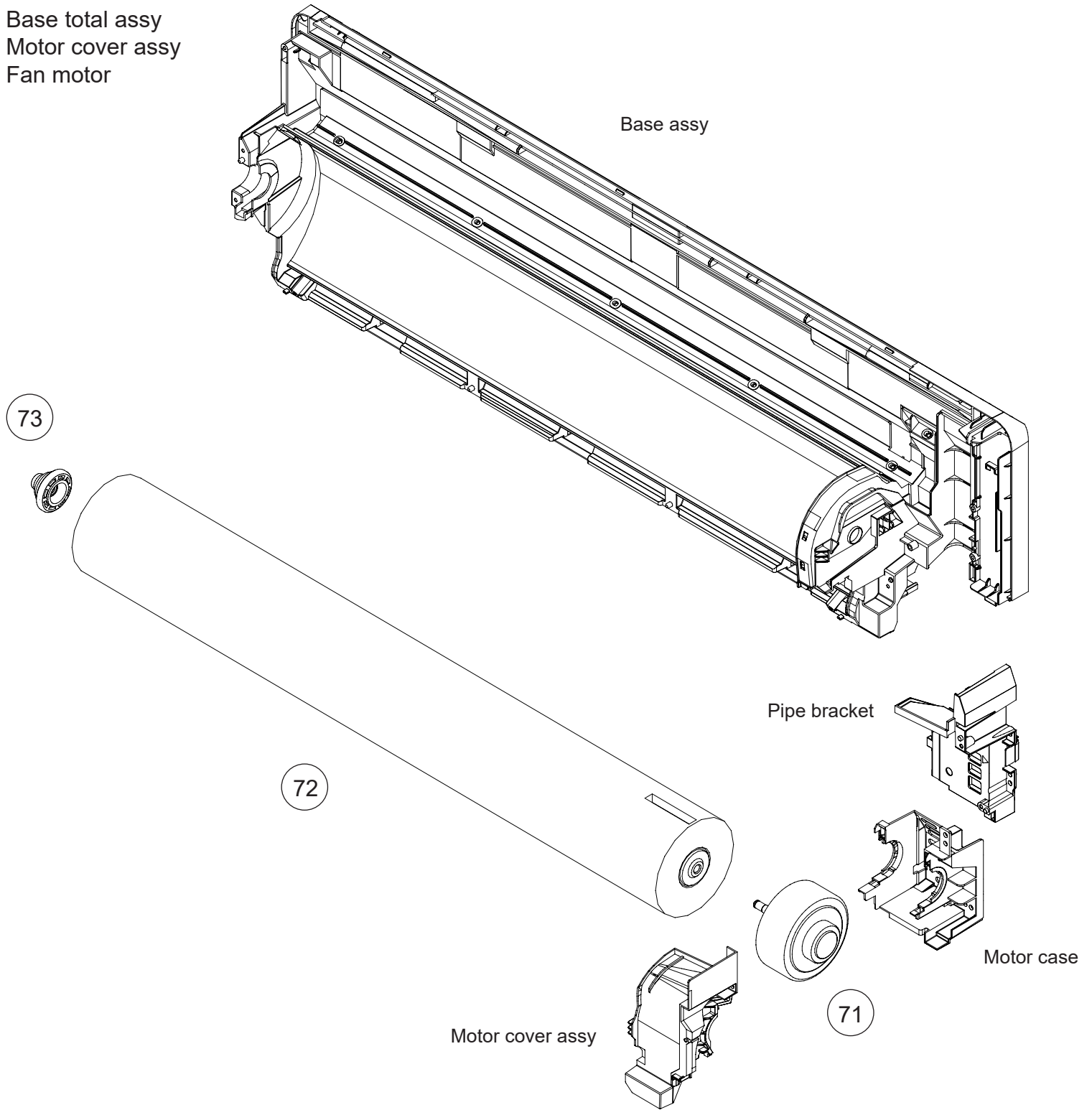
INDOOR UNIT
ASYG18KMTA
ASYG24KMTA



Ref.	Description	Part number
61	Evaporator total assy	9383735011

INDOOR UNIT
 ASYG18KMTA
 ASYG24KMTA

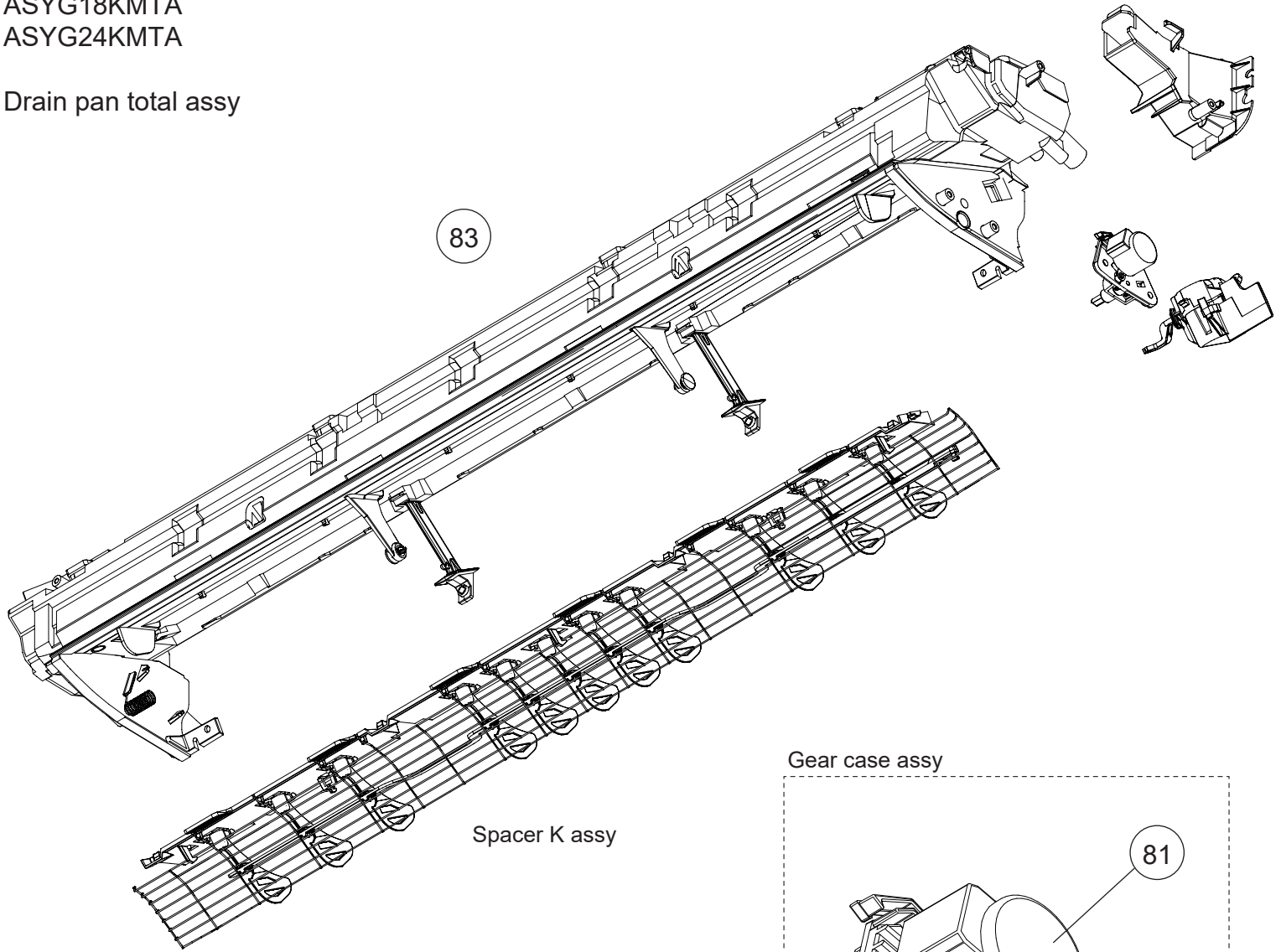
Base total assy
 Motor cover assy
 Fan motor



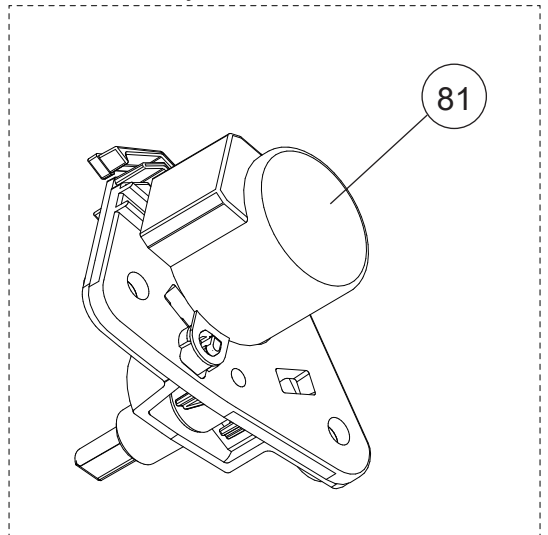
Ref.	Description	Part number
71	Brushless motor	9603631000
72	Crossflow fan assy	9387055030
73	Bearing D assy	9333628004

INDOOR UNIT
 ASYG18KMTA
 ASYG24KMTA

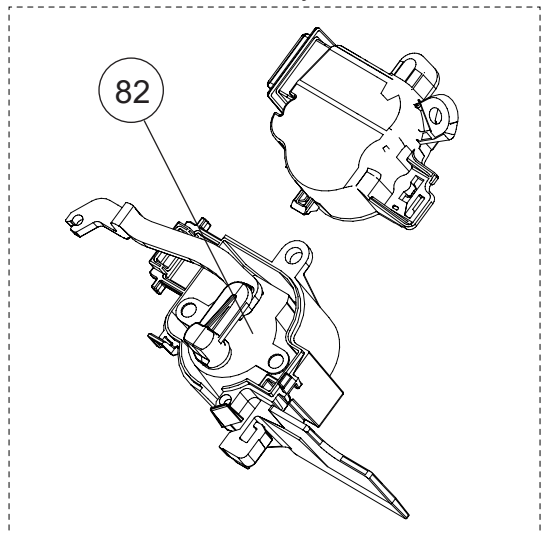
Drain pan total assy



Gear case assy



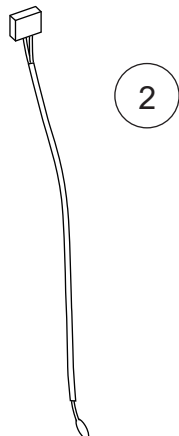
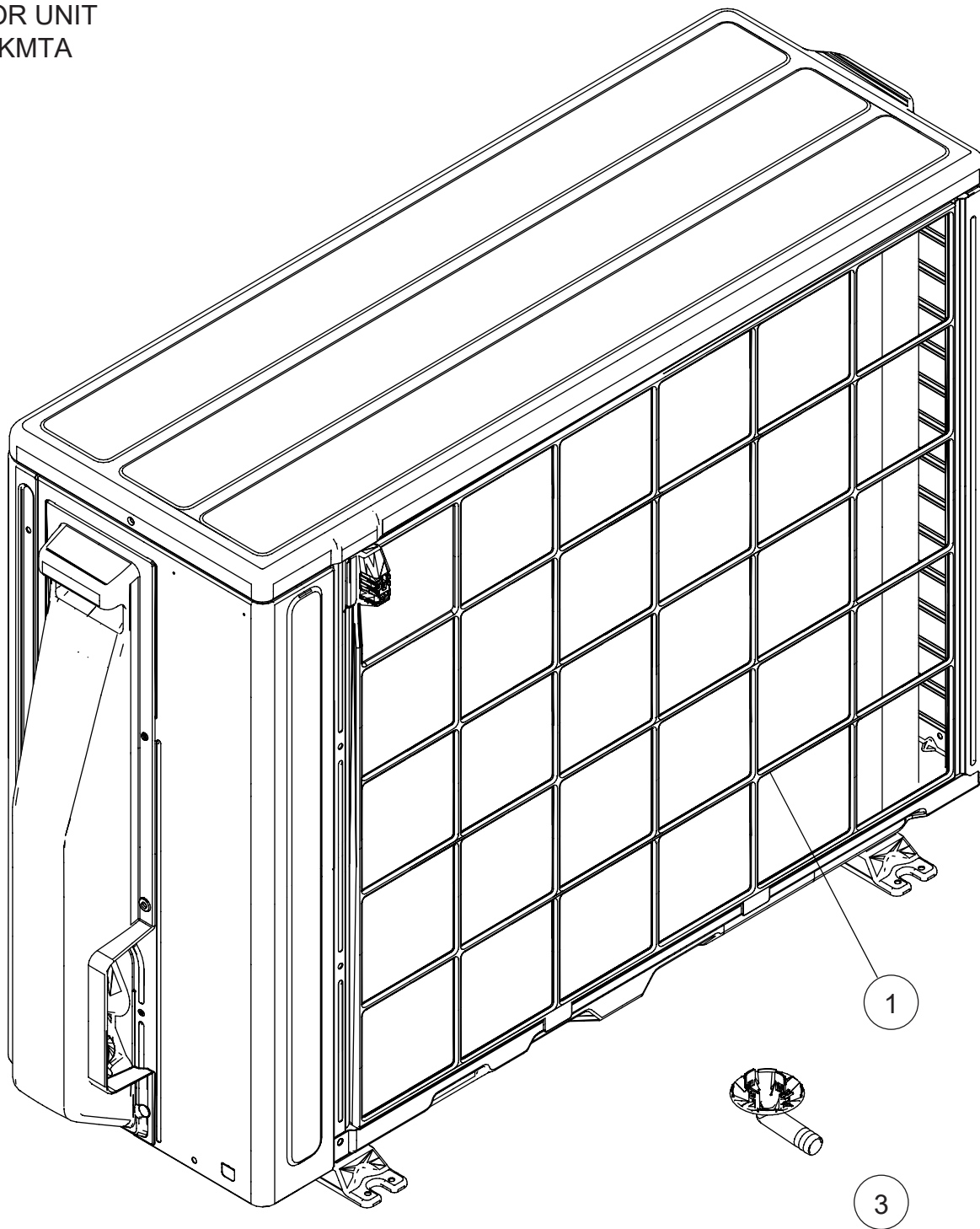
R and L louver SPM assy



Ref.	Description	Part number
81	Stepping motor	9901011016
82	Stepping motor	9901011023
83	Drain pan assy	9387591019

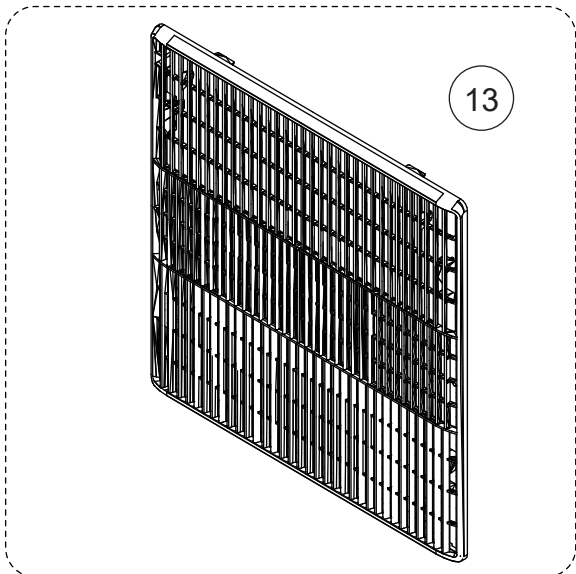
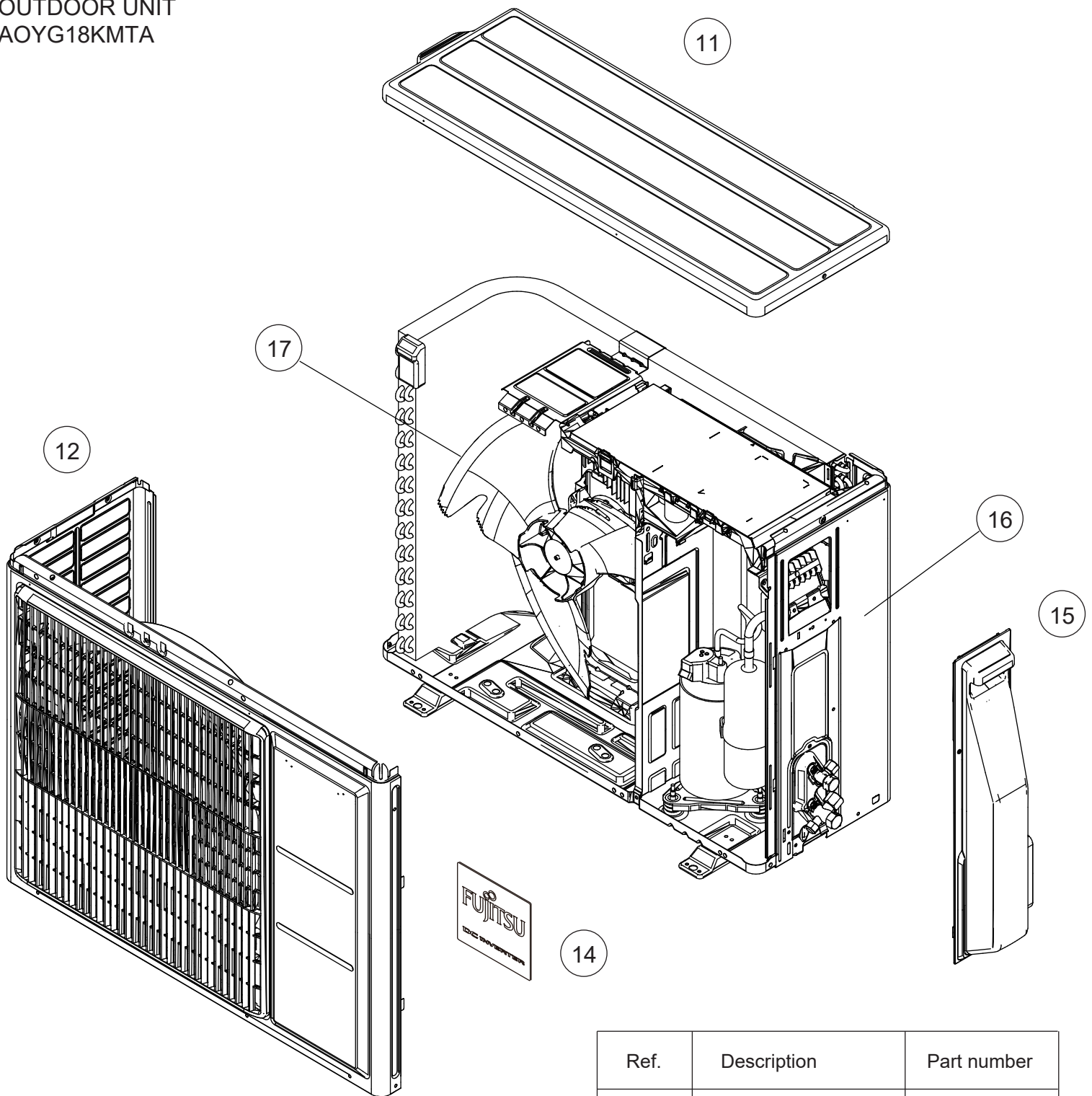
Parts

OUTDOOR UNIT
AOYG18KMTA



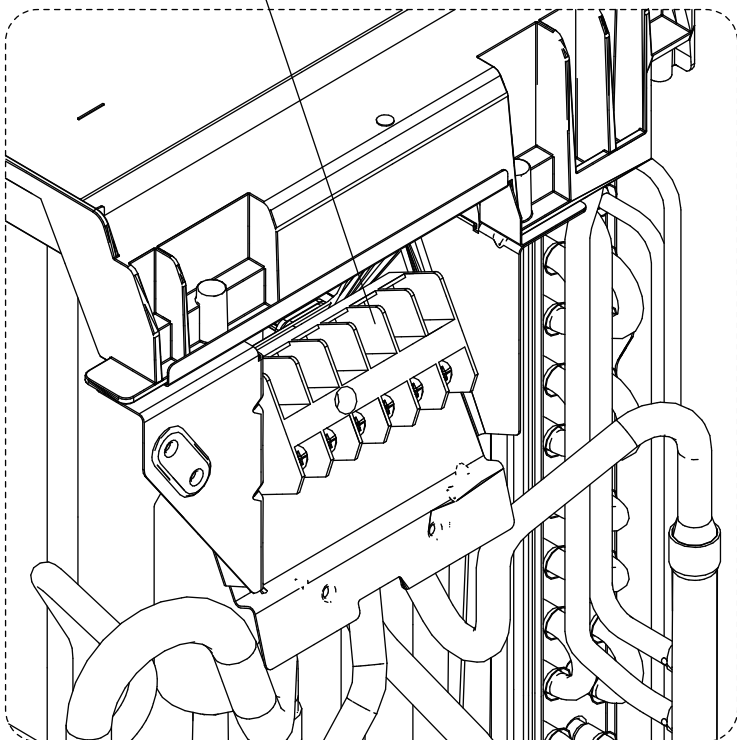
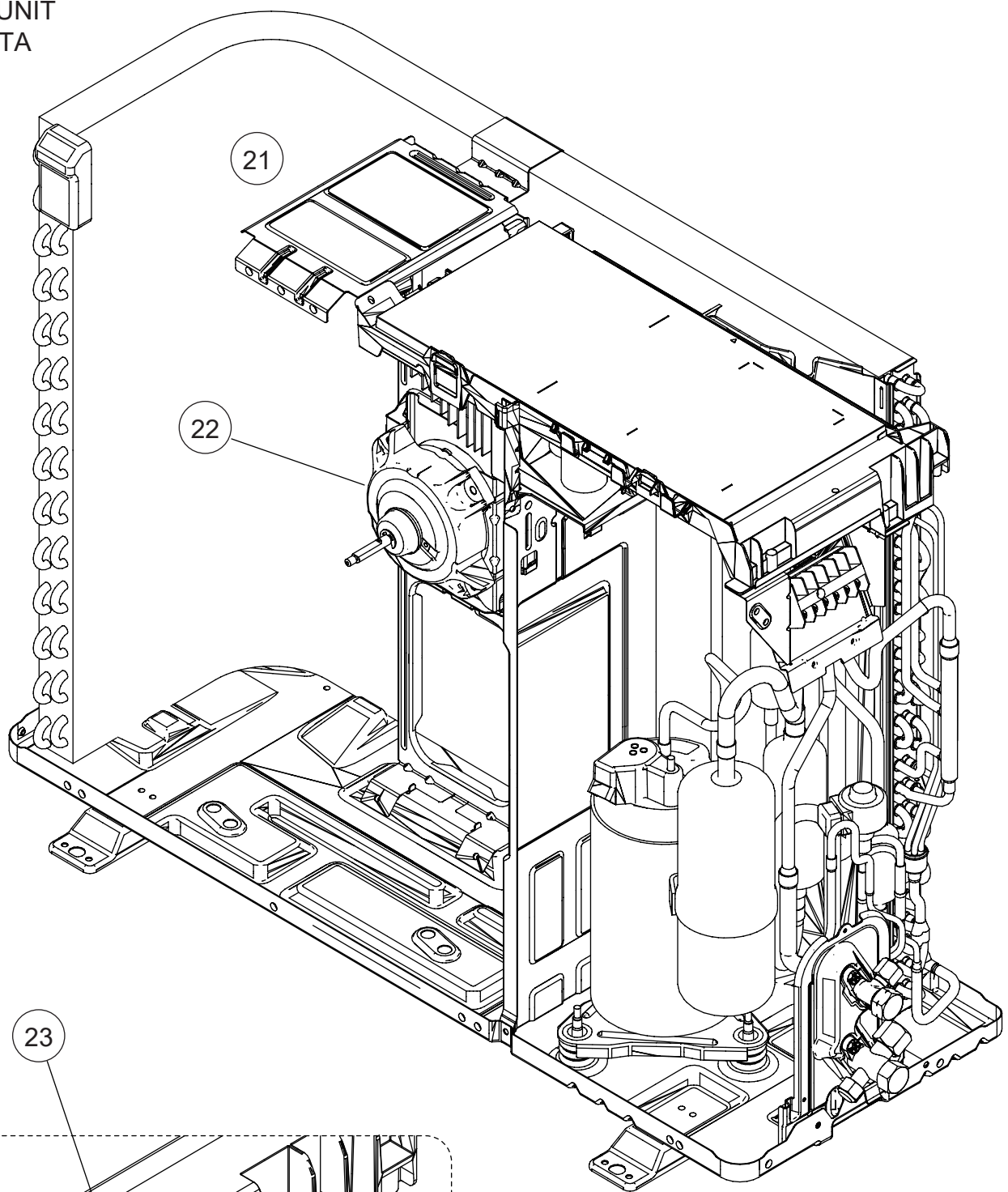
Ref.	Description	Part number
1	Protective net assy	9322811028
2	Outdoor thermistor	9900565060
3	Drain pipe	9322144003

OUTDOOR UNIT
AOYG18KMTA



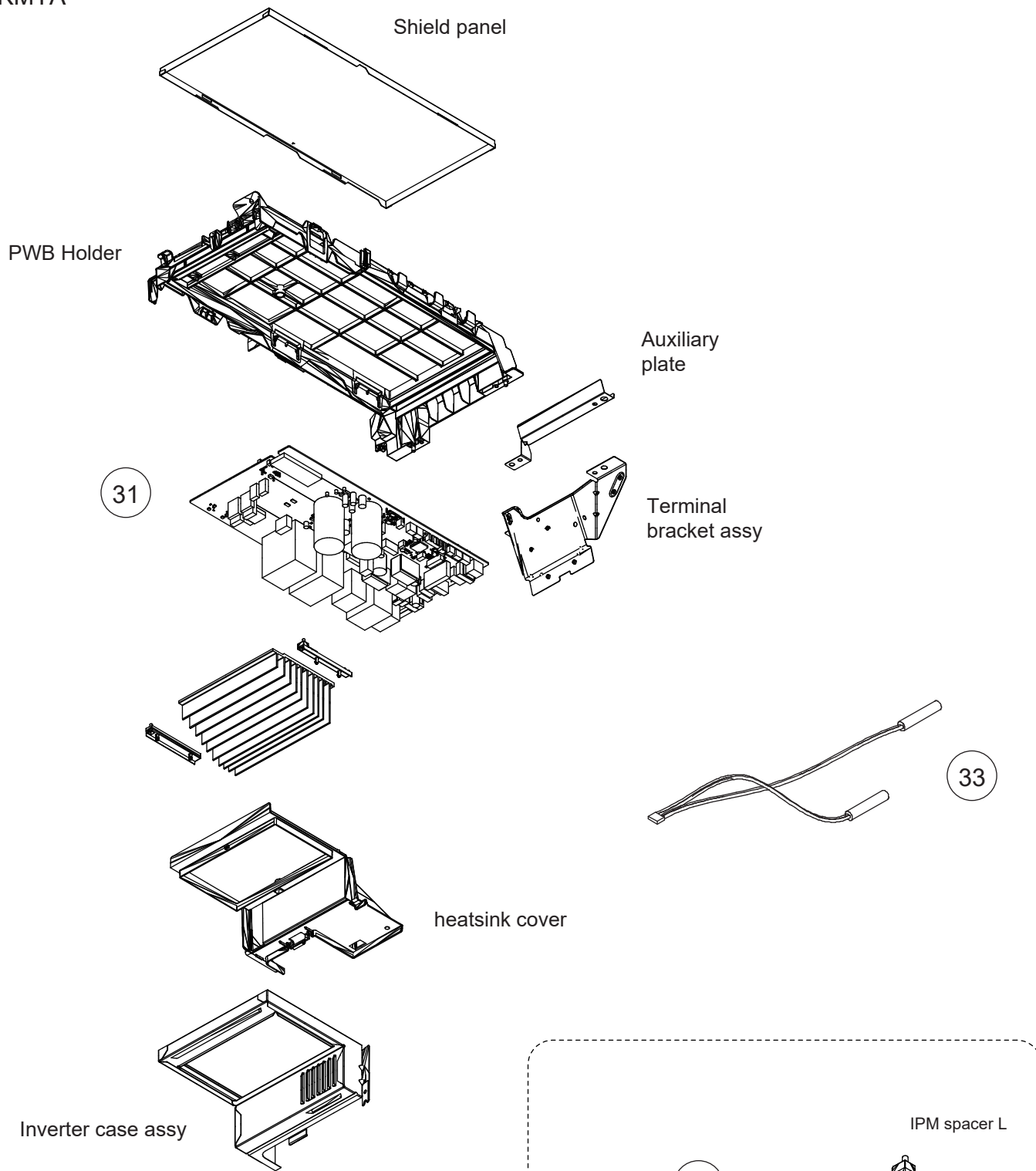
Ref.	Description	Part number
11	Top panel assy	9322556028
12	Front panel assy	9322555021
13	Blow grille	9322149008
14	Emblem	9319151007
15	Switch cover assy	9322570024
16	Cabinet right assy	9322552099
17	Propeller fan	9322150004

OUTDOOR UNIT
AOYG18KMTA



Ref.	Description	Part number
21	Motor bracket assy	9322553027
22	Brushless motor	9603601003
23	Terminal	9900435028

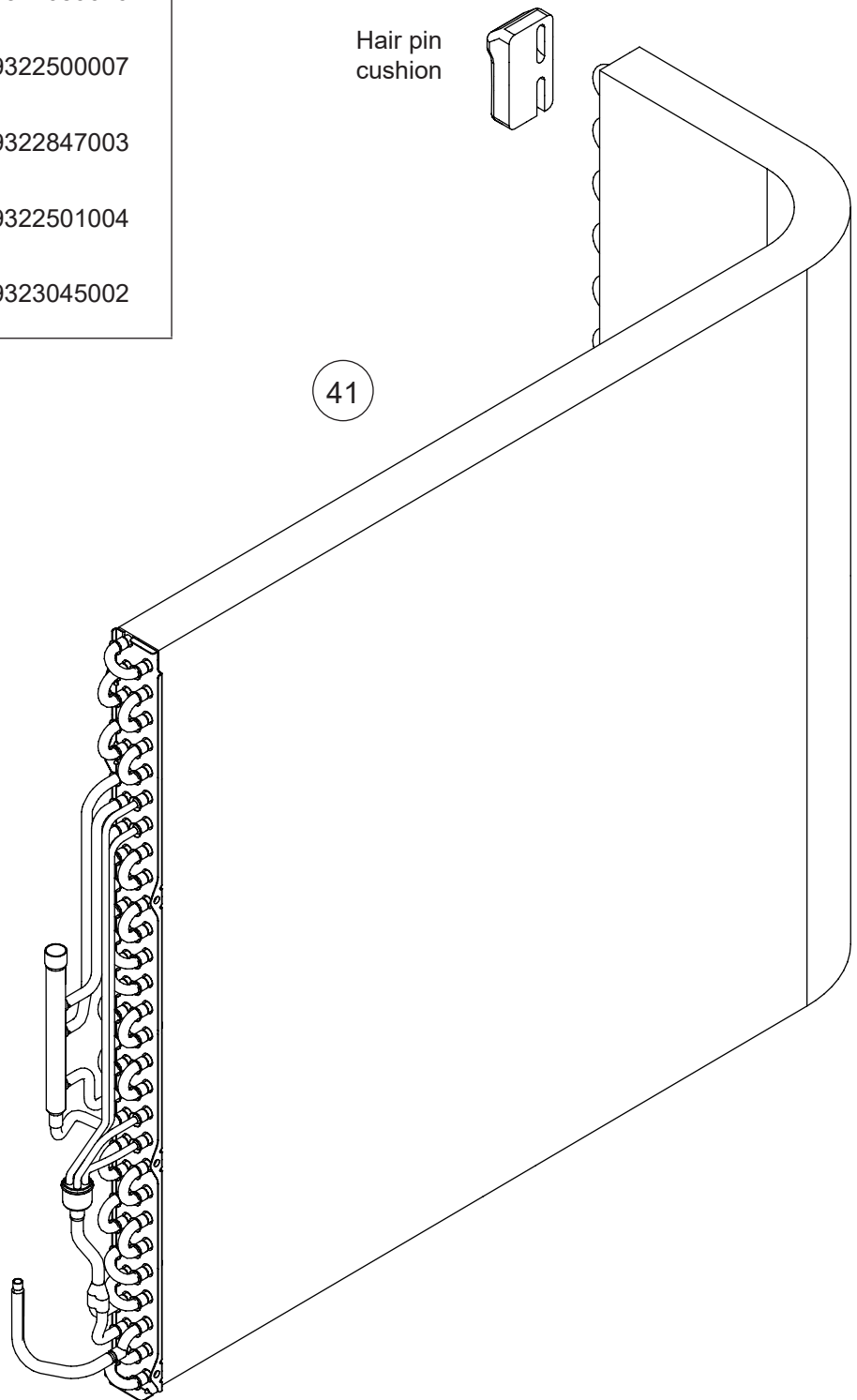
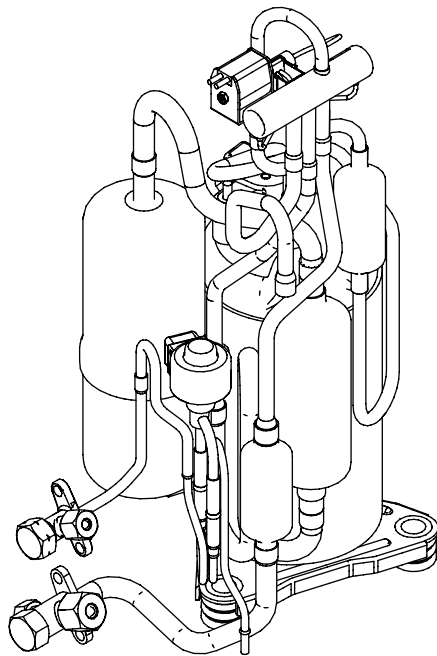
OUTDOOR UNIT
AOYG18KMTA



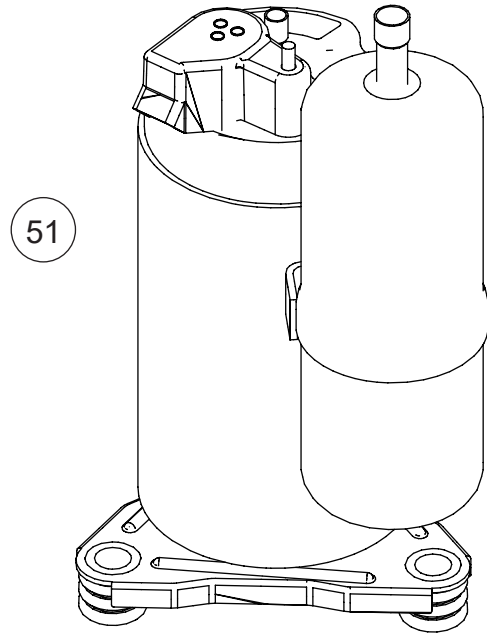
Ref.	Description	Part number
31	Main PCB	9710802140
32	Heatsink	9322420039
33	Thermistor assy	9900727079

OUTDOOR UNIT
AOYG18KMTA

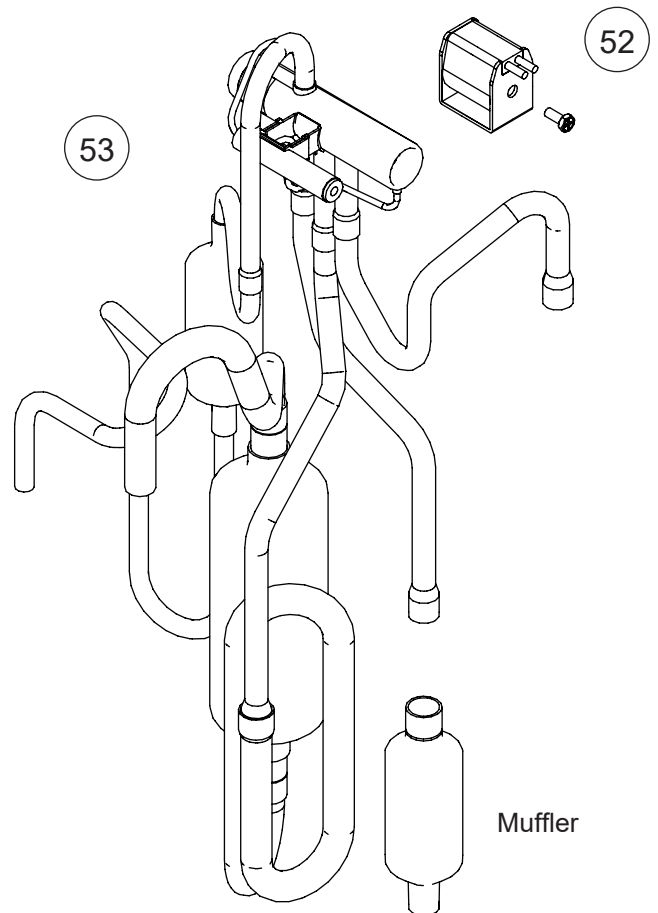
Ref.	Description	Part number
41	Condenser total assy	9317089616
-	S-insulator B	9322500007
-	S-insulator F	9322847003
-	S-insulator H	9322501004
-	S-insulator V	9323045002



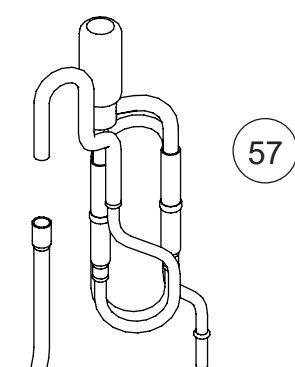
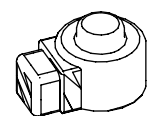
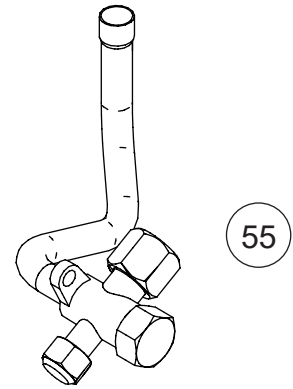
OUTDOOR UNIT
AOYG18KMTA



Rubber cushion



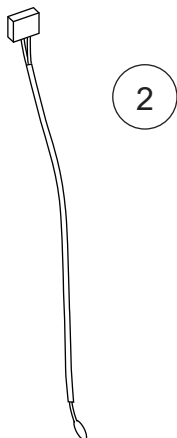
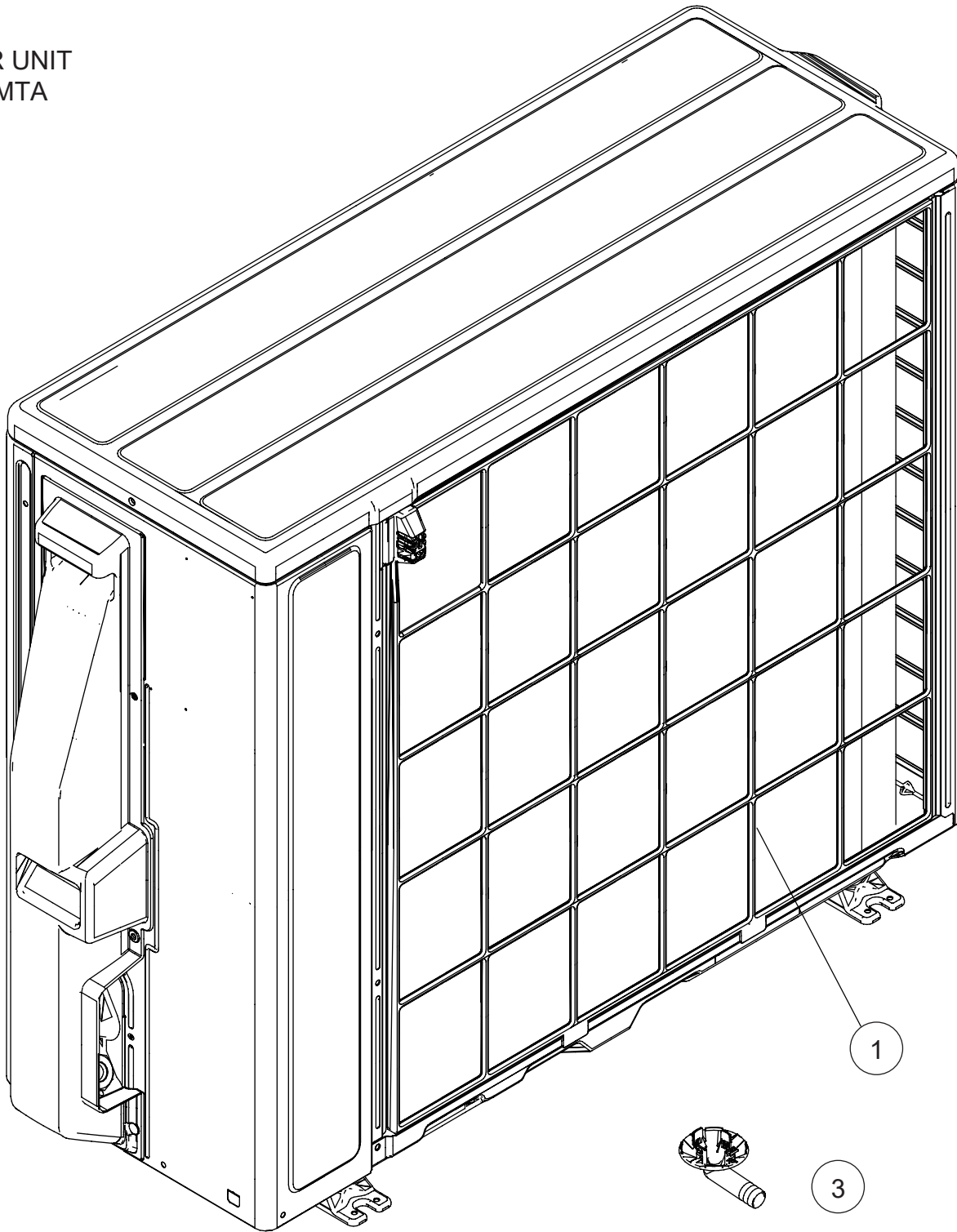
Muffler



Ref.	Description	Part number
51	Compressor assy	9322433008
52	Solenoid	9970195006
53	4-way valve assy	9322783004
55	3-way valve assy	9387831016
56	Expansion valve coil	9970173028
57	Pulse motor valve assy	9322463029
58	2-way valve assy	9322474001

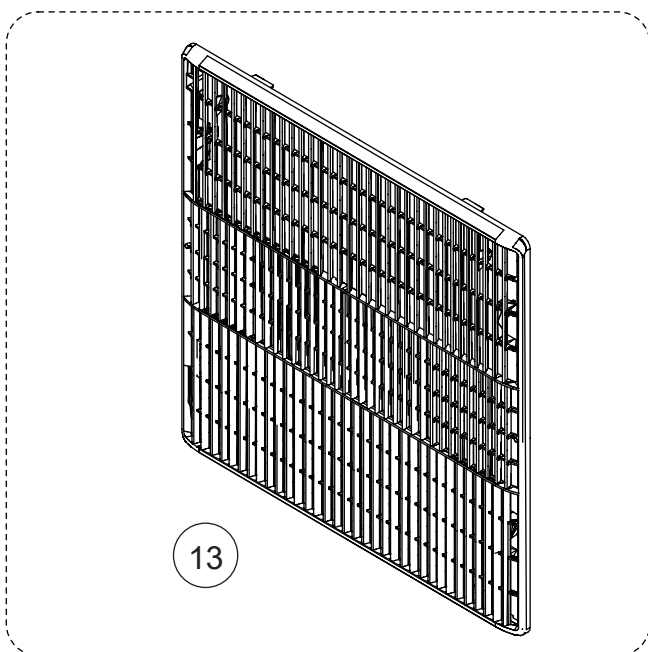
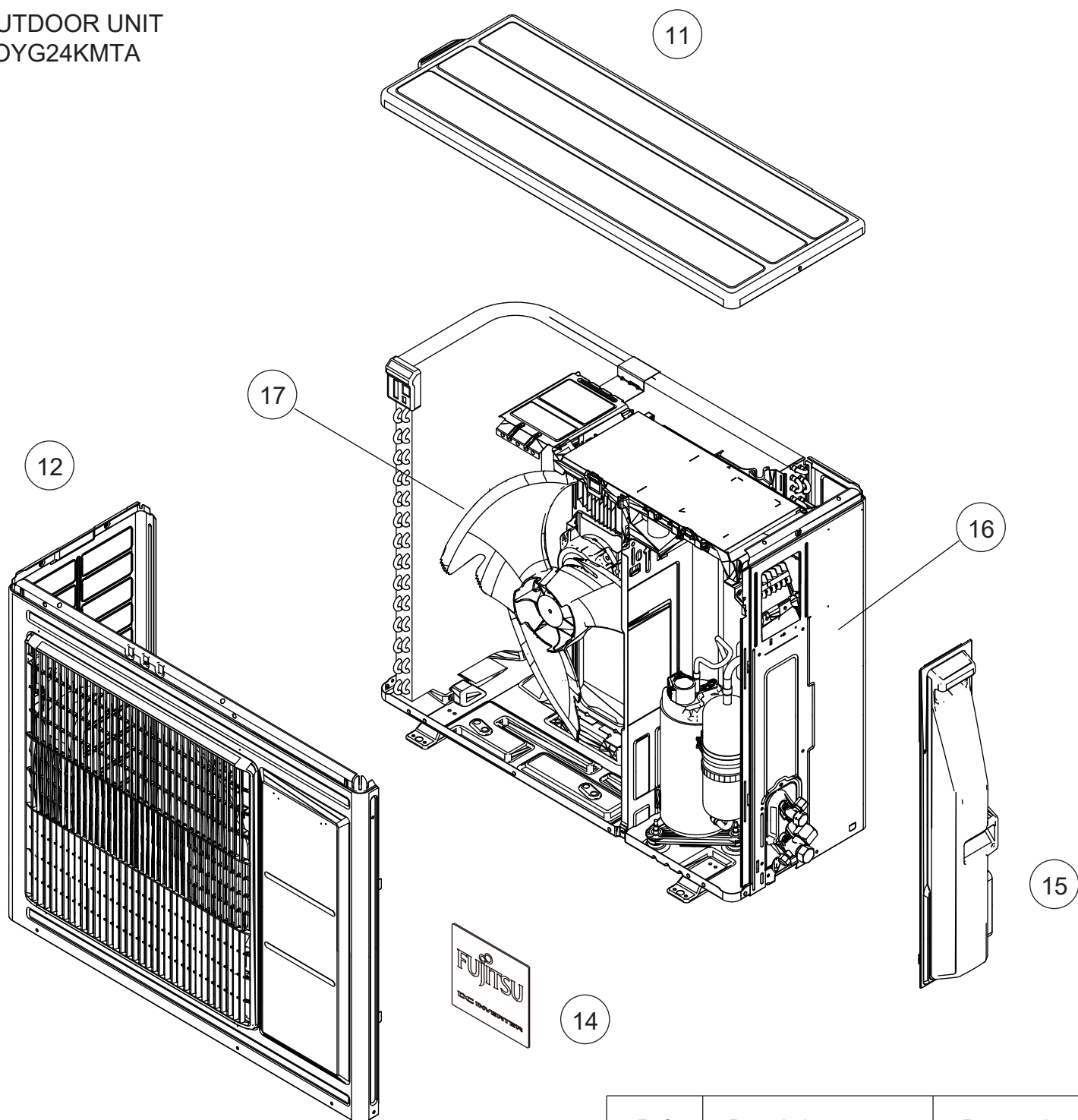
Parts

OUTDOOR UNIT
AOYG24KMTA



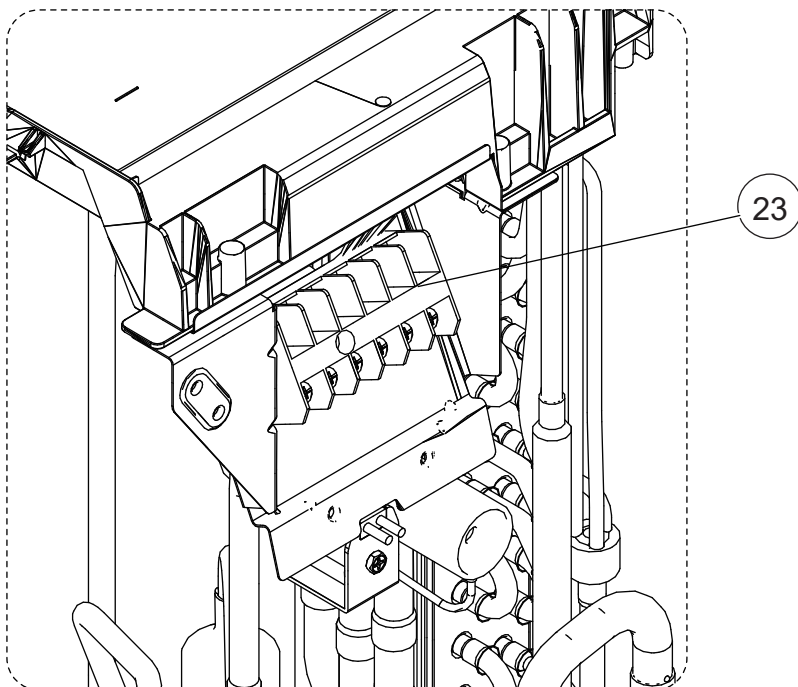
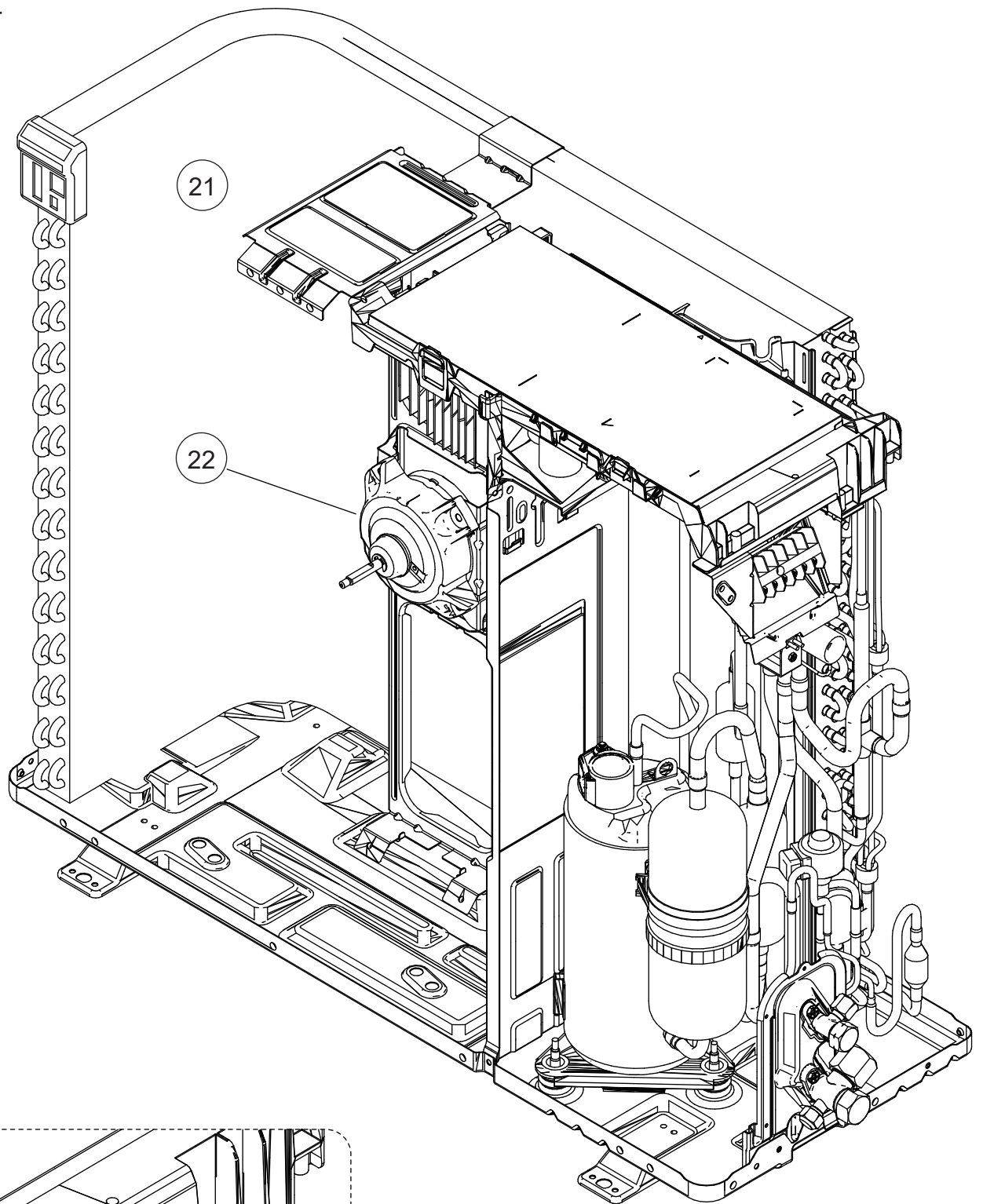
Ref.	Description	Part number
1	Protective net assy	9322811042
2	Outdoor thermistor	9900565060
3	Drain pipe	9322144003

OUTDOOR UNIT
AOYG24KMTA



Ref.	Description	Part number
11	Top panel assy	9322556073
12	Front panel assy	9322555038
13	Blow grille	9322149008
14	Emblem	9319151007
15	Switch cover assy	9322570031
16	Cabinet right Assy	9322552150
17	Propeller fan	9322150004

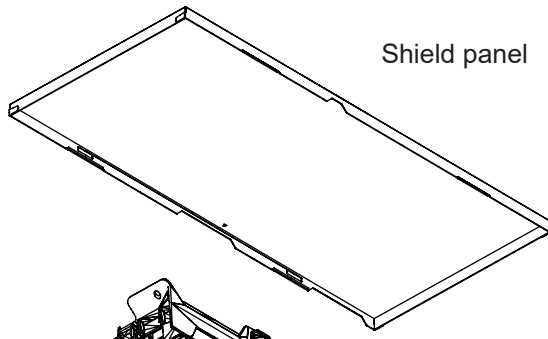
OUTDOOR UNIT
AOYG24KMTA



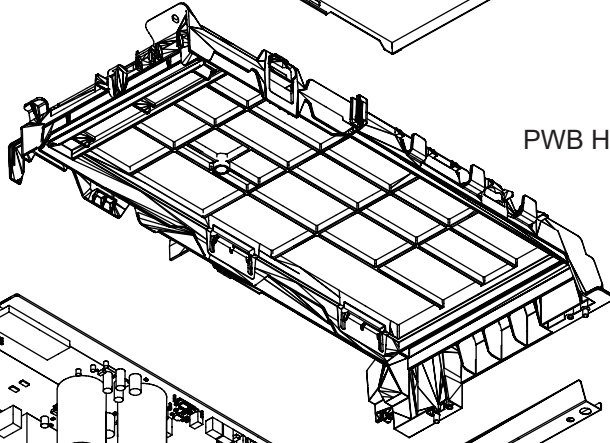
Ref.	Description	Part number
21	Motor bracket assy	9322553034
22	Brushless motor	9603601003
23	Terminal	9900435028

OUTDOOR UNIT
AOYG24KMTA

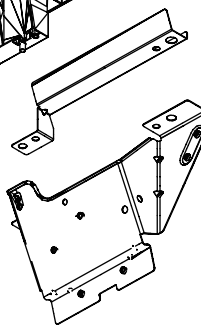
Shield panel



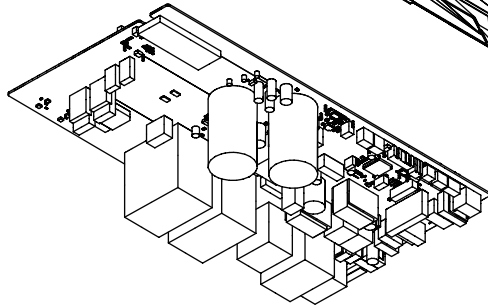
PWB Holder



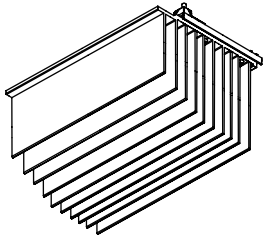
Auxiliary plate



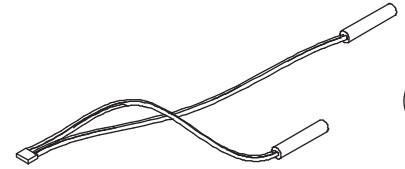
31



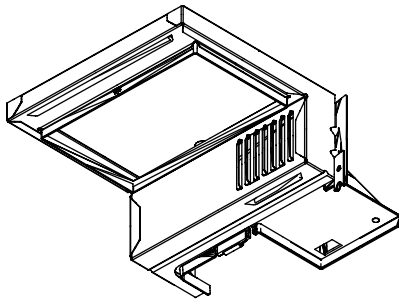
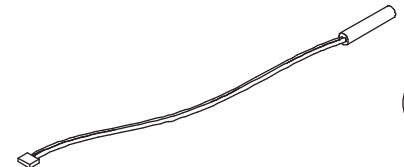
Terminal
bracket assy



33

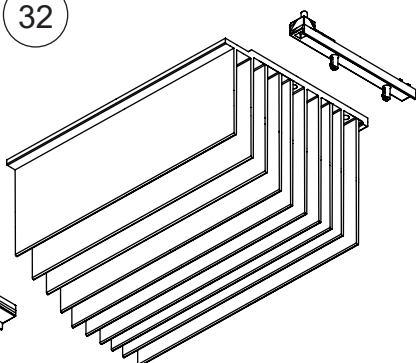


34

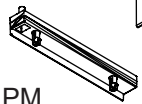


IPM spacer L

32



IPM
spacer R

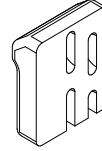


Ref.	Description	Part number
31	Main PCB	9710802270
32	Heatsink	9322421043
33	Thermistor assy	9900727116
34	Compressor thermistor	9900985011

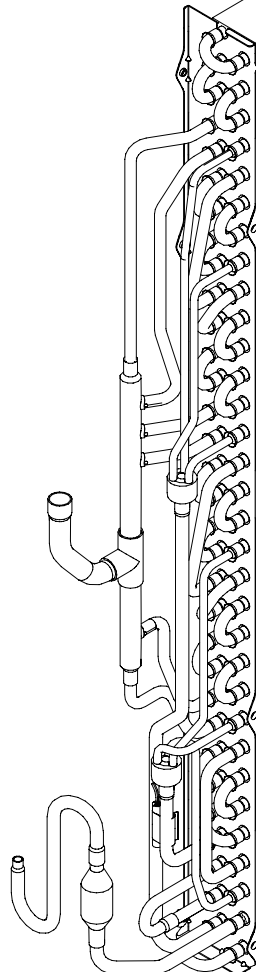
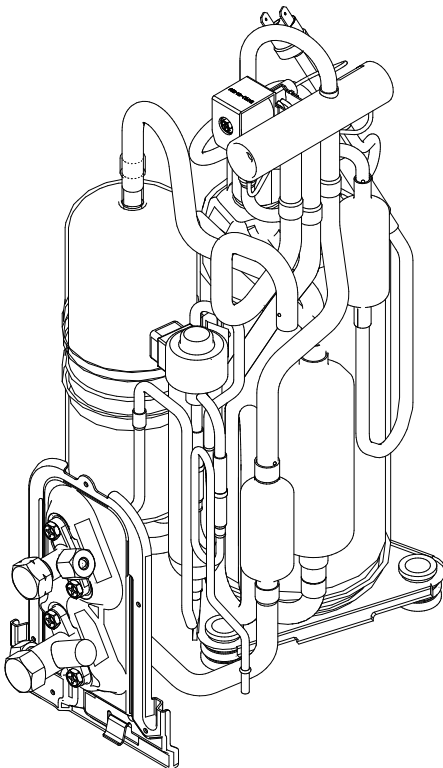
OUTDOOR UNIT
AOYG24KMTA

Ref.	Description	Part number
41	Condenser total assy	9317089630
-	S-insulator B	9322503008
-	S-insulator F	9322529008
-	S-insulator H	9322501004
-	S-insulator V	9323045002
-	S-insulator K	9322824004

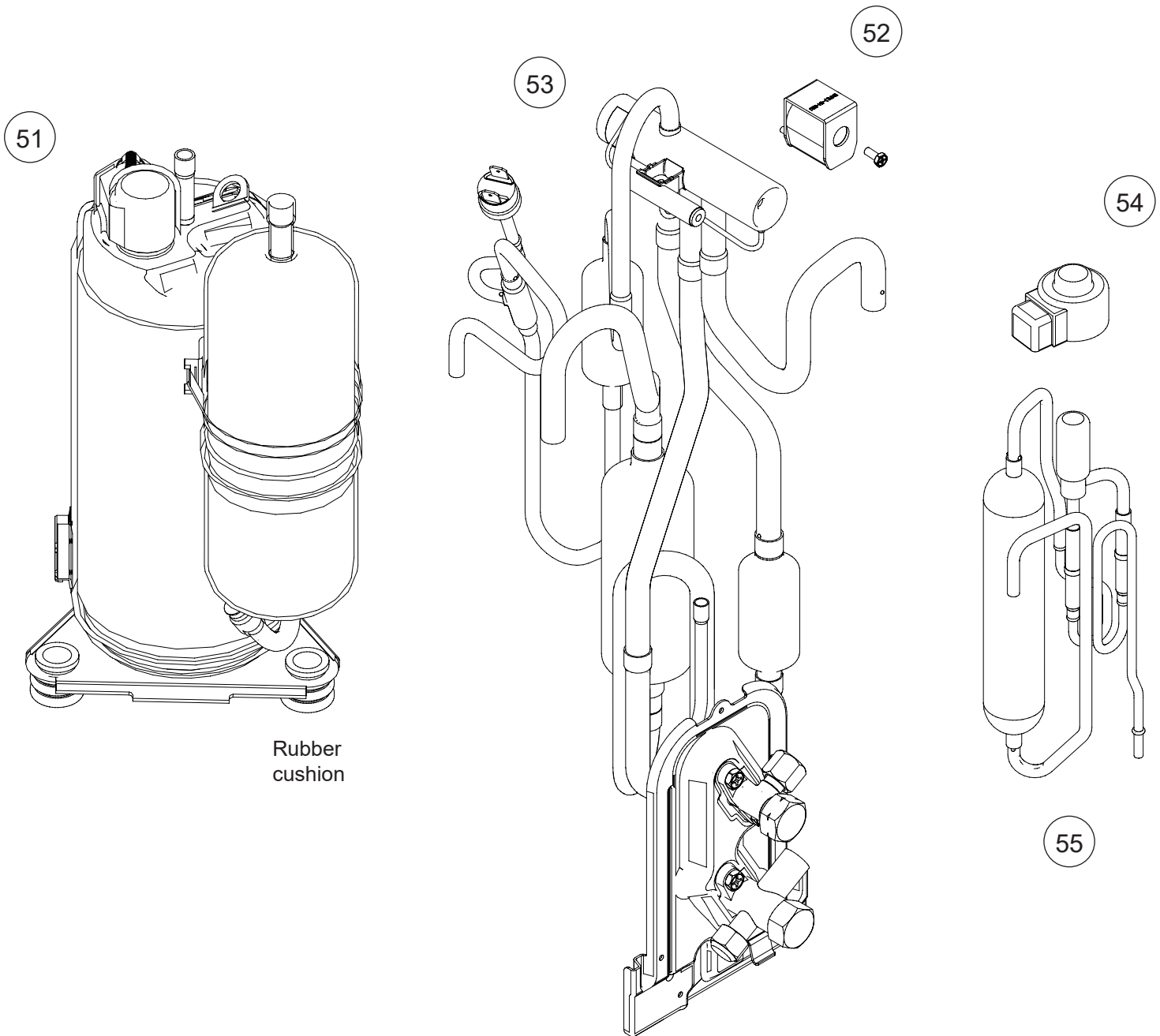
Hair pin
cushion



41












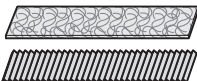

OUTDOOR UNIT
AOYG24KMTA





Ref.	Description	Part number
51	Compressor	9810521002
52	Solenoid	9970206009
53	4-way valve assy	9383948008
54	Expansion valve coil	9970173028
55	Pulse motor valve assy	9322462015

Accessories

Models: ASYG18KMTA and ASYG24KMTA

Part name	Exterior	Q'ty	Part name	Exterior	Q'ty
Operating manual		1	Tapping screw (large)		5
Installation manual		1	Tapping screw (small)		2
Remote controller		1	Battery		2
Remote controller holder		1	Filter holder		2
Cloth tape		1	Air cleaning filters		1
Wall hook bracket		1			

Models: AOYG18KMTA and AOYG24KMTA

Part name	Exterior	Q'ty	Part name	Exterior	Q'ty
Installation manual		1	Drain pipe		1

1905G4816