

# HTi<sup>70</sup>

## High temperature, ultra modulating Heat pump

### Installation and User manual



*HTi<sup>70</sup> 11 single-phase*  
Ref. 155020

*HTi<sup>70</sup> 11 three-phase*  
Ref. 155060

*HTi<sup>70</sup> 14 single-phase*  
Ref. 155030

*HTi<sup>70</sup> 14 three-phase*  
Ref. 155070



The information contained in this document is non-contractual. The manufacturer reserves the right to modify any technical specifications and equipment of any appliances without prior notice.

**Made in  
France**



Manual ref.: 1898458  
Edition n° 22.43

# TABLE OF CONTENTS

|  |          |  |           |
|--|----------|--|-----------|
| <b>1-SAFETY .....</b>  | <b>3</b> | 6.6 - Sensor data curve charts.....                              | 18        |
| <b>2 -PLEASE READ IMMEDIATLY .....</b>                                   | <b>5</b> | 6.6.1 - Water inlet and outlet - de-icing sensor                 |           |
| 2.1 - Conservation of documents .....                                    | 5        | - air intake sensor  |           |
| 2.2 - Symbols used.....  | 5        | sensors installed on compressors 1 and 2 - .....                 | 18        |
| 2.3 - Abbreviations and acronyms.....                                    | 5        | <b>6.7 - Modification.....</b>                                   | <b>18</b> |
| <b>3 - DELIVERY AND STORAGE.....</b>                                     | <b>5</b> | <b>6.8 - Decommissioning.....</b>                                | <b>18</b> |
| 3.1 - Delivery terms and conditions.....                                 | 5        | 6.8.1- Interim Decommissioning of Product.....                   | 18        |
| 3.2 - Storage and transport.....   | 5        | 6.8.2- Final decommissioning of the product .....                | 18        |
| 3.2.1 - General information .....  | 5        | <b>6.9 - Recycling and Disposal.....</b>                         | <b>18</b> |
| 3.2.2 - Transporting with a forklift .....                               | 5        | 6.9.1- Disposal of refrigerant .....                             | 18        |
| 3.2.3 - Transporting manually.....                                       | 5        | <b>7 - LIST OF SPARE PARTS .....</b>                             | <b>19</b> |
| <b>4 - INTRODUCTION.....</b>   | <b>6</b> | <b>8 - WARRANTY .....</b>  | <b>20</b> |
| 4.1 - Operation.....   | 6        | 8.1 - Warranty coverage .....                                    | 20        |
| 4.2 - Accessories (included) .....                                       | 6        | 8.2 - Limitations of warranty.....                               | 20        |
| 4.3 - Accessories available to order .....                               | 6        | 8.2.1 - General information .....                                | 20        |
| <b>5 - INSTALLATION.....</b>   | <b>7</b> | 8.2.2 - Cases (not limited to) for exclusion from warranty.....  | 20        |
| 5.1 - Standard configuration .....                                       | 7        | 8.2.2.1 - Heating circuit water .....                            | 20        |
| 5.2 - Placement.....   | 8        | 8.2.2.2 - Handling.....  | 20        |
| 5.2.1 - Noise levels.....  | 8        | 8.2.2.3 - Installation site.....                                 | 20        |
| 5.2.2 - Safe area.....   | 8        | 8.2.2.4 - Electrical connections .....                           | 20        |
| 5.2.2.1 - Ground security area .....                                     | 8        | 8.2.2.5 - Hydraulic connections .....                            | 20        |
| 5.2.2.2 - Security area in front of a wall.....                          | 9        | 8.2.2.6 - Accessories .....                                      | 20        |
| 5.2.3 - Accepted installation sites .....                                | 9        | 8.2.2.7 -Maintenance .....                                       | 20        |
| 5.2.4 - Prohibited installation sites .....                              | 9        | <b>APPENDIX .....</b>  | <b>21</b> |
| 5.3 - Setting up.....  | 10       | A1 - Technical specifications.....                               | 21        |
| 5.4 - Condensate evacuation.....   | 10       | A1.1 - General characteristics.....                              | 21        |
| 5.5 - Hydraulic installation.....  | 11       | A1.2 - Performances.....   | 21        |
| 5.5.1 - Hydraulic connections on the installation .....                  | 11       | A2 - EU declaration .....  | 22        |
| 5.5.2 - Hydraulic connection between Heat pump and pilot.....            | 12       | A3 - Frost protection .....                                      | 22        |
| 5.5.2.1 - Hydraulic connections on the HTi 11 &14kW .....                | 12       | A4 - Treatment of the water in the heating circuit .....         | 22        |
| 5.5.3 - Heat pump water inlet filter (supplied) .....                    | 13       | A4.1 - Preparing the hydraulic circuit (rinsing) .....           | 22        |
| 5.6 - Connecting to the power supply .....                               | 13       | A4.2 - Filling water.....  | 22        |
| 5.6.1 - General recommendations .....                                    | 13       | A4.3 - Treatment of the heating circuit.....                     | 22        |
| 5.6.2 - Accessing the connection terminals .....                         | 14       | A5 - Dimensions.....   | 23        |
| 5.6.3 - Recommendations for connecting the system to the power supply .. | 14       | A6 - Product technical information sheet .....                   | 24        |
| 5.6.4 - Connection to the power supply .....                             | 14       | A6.1 - HTi <sup>70</sup> 11 kW single-phase Heat pump .....      | 24        |
| 5.6.4.1 - Single-phase connection .....                                  | 14       | A6.2 - HTi <sup>70</sup> 11 kW three-phase Heat pump .....       | 25        |
| 5.6.4.2 - Three-phase connection .....                                   | 15       | A6.3 - HTi <sup>70</sup> 14 kW single-phase Heat pump .....      | 26        |
| 5.6.5 - Communication bus cable between the heat pump and the pilot..... | 16       | A6.4 - HTi <sup>70</sup> 14 kW three-phase Heat pump .....       | 27        |
| <b>6 - MAINTENANCE AND TROUBLESHOOTING 17</b>                            |          | A7 - Internal wiring diagram .....                               | 28        |
| 6.1 - General information .....  | 17       | A7.1 - HTi <sup>70</sup> 11 & 14 kW single-phase Heat pump ..... | 28        |
| 6.2 - Maintenance on the hydraulic circuit.....                          | 17       | A7.2 - HTi <sup>70</sup> 11 & 14 kW three-phase Heat pump .....  | 29        |
| 6.3 - Maintenance of the Heat pump .....                                 | 17       | <b>NOTES / MAINTENANCE .....</b>                                 | <b>30</b> |
| 6.4 - Maintenance of the electrical components.....                      | 17       |  |           |
| 6.5 - Consulting the meters .....  | 17       |  |           |

# 1-SAFETY

## **Danger resulting from improper qualifications**

- Any work carried out by an unqualified person can result in damage to the installation or in physical injury.
- Do not perform maintenance on this appliance unless you are a qualified professional.
- If the appliance is malfunctioning or not working, cut the electricity supply to the electrical components and seek advice from a qualified professional.

## **Danger resulting from improper use**

This appliance should not be used by anyone (including children under the age of 8 years old) with reduced physical, sensory or mental capabilities, or by anyone with insufficient experience or knowledge of the appliance; unless they are being supervised by someone who is responsible for their safety and in possession of the operating instructions of the appliance, or if they have been instructed in the proper use and in the risks of operating the appliance.

Children must not play with the appliance. Cleaning and maintenance of the appliance must not be undertaken by children without supervision.

## **Applicable areas of use**

The appliance is intended for use as an appliance for the production of domestic hot water: it must be connected to a heating installation, and while complying with the instructions, connected to the drinking water network.

The intended use of the appliance includes the following points:

- Following the instructions for operating, installing and maintaining this appliance and all of its components.
- Ensuring the compliance of the appliance to all inspection and maintenance conditions which are listed in this manual.

## **Danger of death by electrocution**

- Touching live electrical wires can cause severe bodily injury, and lead to death by electrocution. All installation and maintenance work must be carried out with the appliance switched off and by a qualified professional. Before carrying out any work on the appliance:
  - Cut-off the electricity supply.
  - Ensure that there is no possibility of the power supply becoming active again.
  - Wait at least 5 minutes for the capacitors to lose their charge.

- Do not get water on any of the control or electrical components. Always disconnect the appliance from the electricity supply before carrying out work on any of the electrical components.

## **Danger of death if the pressure relief valves are missing or defective**

A defective pressure relief valve may prove dangerous and could lead to burns or other injuries by, for example, the pipes bursting.

The information presented in this document does not contain all of the schematic diagrams needed for a professional installation of the pressure relief valves.

- Install the necessary pressure relief valves on the circuit.
- Inform the user concerning the function and the placement of the pressure relief valves.
- Respect all applicable national and international regulations, standards and decrees.

## **Risk of material damage**

The heat pump can only work when filled with water. Never switch on the appliance if it is not completely filled with water and purged of air.

## **Rules and regulations (decrees, standards, laws)**

Once the appliance is installed and switched on, all decrees, directives, technical rules, safety measures and standards, must be respected in their current version in effect.

The electrical supply must conform to all applicable regulations in the country of installation, as well as the NFC 15-100 standard.

- A method of disconnection ensuring a complete cut-off must be installed in the fixed piping to conform to installation regulations (do not use a movable outlet).
- Protect the appliance with a 2-pole circuit breaker with a minimum contact opening of 3mm and must be grounded.
- The devices for electrical cut-off must remain accessible.
- Water may drain from the discharge pipe of the pressure limiting device. This pipe should be kept open to open air.
- The pressure relief valve is mounted on the condenser. Ensure that the drainage is properly oriented to prevent water from leaking onto the electrical components.

## **Maintenance - Troubleshooting**

Maintenance and cleaning of the pilot must be carried out at least once a year by a qualified professional.

**This appliance is in compliance with the international standards concerning electrical safety CEI 60335-1, CEI 60335-2-102. The CE branding on the appliance attests to its compliance with the following directives:**

**- Low voltage (LV): 2014/35/UE**

**- Electromagnetic compatibility(CEM): 2014/125/CE**

**- Ecodesign concerning products related to energy: 2013-813-UE**



## **REFRIGERANT CIRCUIT**

- **Any intervention on the refrigeration circuit must be made by a qualified person who holds a Category 1 certificate of fitness.**

**Refrigerant R290, contained in the heat pump circuit, does not pose an environmental hazard but is flammable.**

- **Refrigerant R290 is odorless.**
- **Do not damage the refrigeration circuit tubes,**
- **Do not handle flame or other flammable sources inside the device,**
- **In the event of a leakage of the refrigerant, unplug the plug, ventilate the room and contact the customer service,**
- **Do not pierce or burn the appliance: the recovery of the fluid is mandatory in case of intervention on the refrigeration circuit.**

## 2 - PLEASE READ IMMEDIATELY

This technical installation manual forms part of the appliance which it refers to. In order for the warranty to be valid, the instructions must be read prior to using the appliance.

The safety advice and instructions provided in this manual must be strictly respected.

Our society is not liable for any damages caused from not following the instructions provided, or improper handling, installation or use.

This technical installation manual can be modified without prior notice.

### 2.1 - Conservation of documents

This manual must be safeguarded and passed on to successive users for future reference.

It will be considered as evidence in case of litigation.

### 2.2 - Symbols used



Indicates warnings and important recommendations.



Consult the installation manual before any intervention on the product, before handling, installation, use, and maintenance.



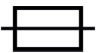
Contains regulated substances, do not throw in the garbage. If disposing, please respect all regulations pertaining to the recovery of electric and electronic equipment.



Type and refrigerant charge.  
PS High: Max high service pressure  
PS Low: Max low service pressure



Heat power output produced.



Max current protection (A)



Caution : contains a flammable refrigerant fluid. Please make sure to respect the installation and handling precautions.

### 2.3 - Abbreviations and acronyms

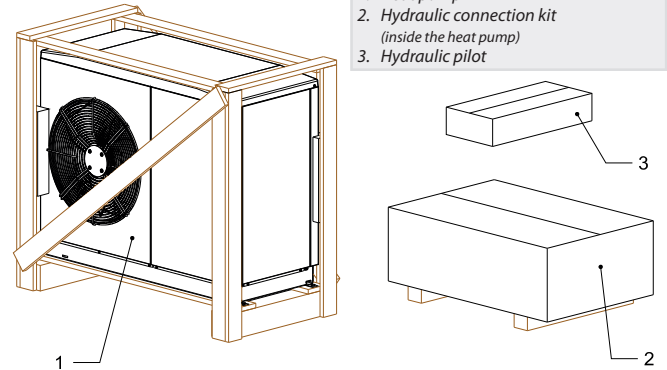
DHW ..... Domestic Hot Water  
DCW ..... Domestic Cold Water  
T° ..... Temperature  
HP ..... Heat pump

## 3 - DELIVERY AND STORAGE

### 3.1 - Delivery terms and conditions

In general, the material is transported at the recipient's own risk.

It is important to verify that all of the elements have been received and that no damage has been sustained during transport upon receipt of the appliance and before beginning the installation procedures.



### 3.2 - Storage and transport

Admissible storage and transport temperatures of the appliance are between -20°C and +60°C.

The appliance must be stored in a room that does not contain sources of ignition that are continuously operating (for example, bare fires, gas appliance or electric radiator in operation).

#### 3.2.1 - General information

The appliances must be stored and transported packaged and on their wooden pallets, in a vertical position, and completely empty of water.

#### 3.2.2 - Transporting with a forklift

When transporting with a forklift truck, the Heat Pump must be on its wooden pallet.

When moving the Heat Pump do not lower or raise the unit suddenly as the Heat Pump can easily lose its equilibrium. The Heat Pump should be suitably secured to prevent it from tipping.

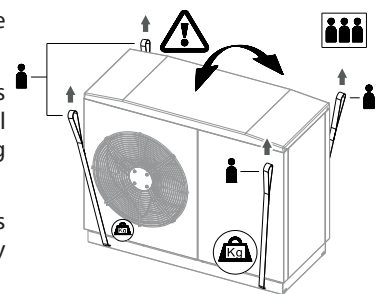
#### 3.2.3 - Transporting manually

The Heat pump can be transported manually.

The Heat pump must always be transported in a horizontal position, including during installation.

Do not handle the unit by its hydraulic connections, but by using the four straps.

Installation procedures must be carried out by a qualified professional, so as to prevent any risks of bodily harm and/or material damage.

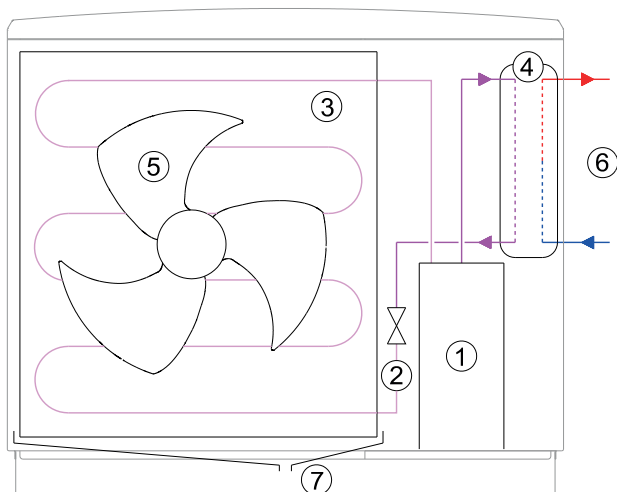


**Do not incline more than 30°**



**Maintain a protective covering on the finned heat exchanger during handling.**

## 4 - INTRODUCTION



- |                     |                           |
|---------------------|---------------------------|
| 1. Compressor       | 5. Ventilator             |
| 2. Pressure reducer | 6. Heating inlet / outlet |
| 3. Evaporator       | 7. Condensates drainage   |
| 4. Condenser        |                           |

### 4.1 - Operation

The Heat pump is a closed and pressurised system in which the refrigerant serves as the medium for transferring energy.

The evaporator (3) is a cooling exchanger which draws calories from the air. The humidity in the air condenses on contact with the cold surface, and forms condensation which must be drained regularly during operation of the Heat pump (evacuation in 7).

The condenser (4) is a plated heat exchanger which allows to transfer the heat towards the heating water of the installation (6).

The operating range of the Heat pump ranges from an air temperature of -20°C to 40°C.

#### Note:

The Heat Pump is exclusively designed for heating purposes. It cannot be used for cooling. The manufacturer cannot be held responsible for any other usage of the appliance.



#### It is FORBIDDEN:

- to operate the Heat pump using air intake containing solvents or explosive materials.
- to use air intake containing grease, dust, or aerosol particles.
- to connect vented exhaust hoods to the appliance.



Use of the appliances are FORBIDDEN if the installation is not filled with water.

### 4.2 - Accessories (included)

The components described below are delivered with the Heat Pump:

→ **2-core sheathed cable linking the Heat Pump and the Pilot (lg 10m)**

→ **HTi<sup>70</sup> 11 & 14 Hydraulic Fitting** (Ref. 751019)  
(included a 1" filter valve, a safety valve assembly 1"1/4, 2 vannes d'isolement 1"1/4, 1 purgeur manuel, a hydraulic connection [reduction F3/4 M1" + nipple MM 1"])

### 4.3 - Accessories available to order

→ **2-core sheathed cable** (Ref. 753102)  
**linking the Heat Pump and the Pilot** (lg 20m)  
20m length for connection instead of the 10m length delivered as standard.

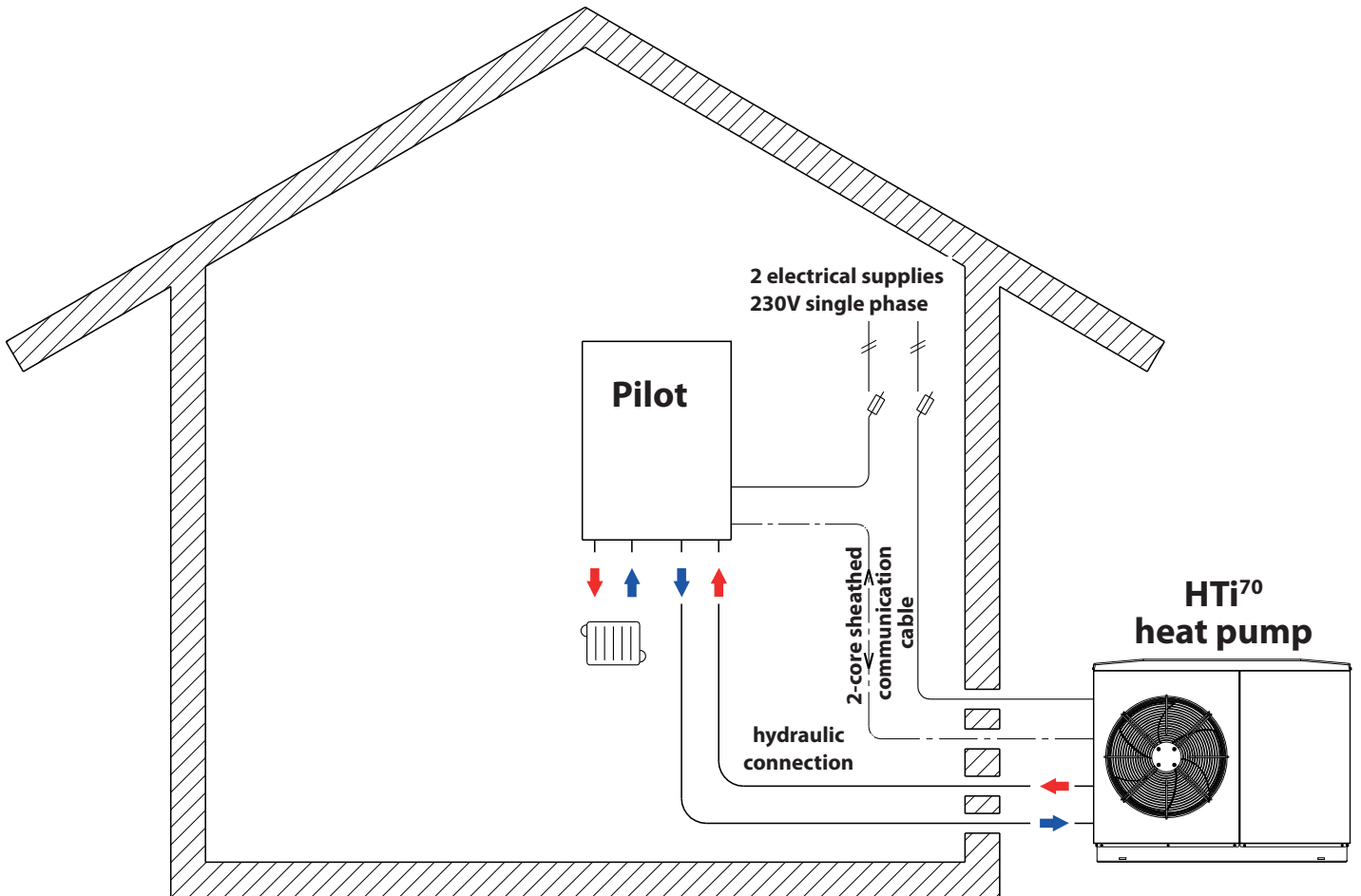
→ **External defrost kit** (Réf. 754101)  
to keep the external condensate evacuation duct from freezing.

→ **Adjustable raiser kit for heat pump** (Ref. 754600)  
allows raise of the heat pump and catch up with ground levels.

→ **HTi<sup>70</sup> 11 & 14 floor fixing kit** (Ref. 754601)  
Fixing brackets without screws.

# 5 - INSTALLATION

## 5.1 - Standard configuration



- The Heat pump must be installed outside exclusively.
- Avoid any obstruction of the airflow of the ventilator.

Ensure that there is nothing blocking the exchanger's air circulation. Ensure that the Heat pump is placed so that it is sheltered from dominant winds.



### PROHIBITED INSTALLATION

It is prohibited to install the Heat pump:

- In a non-ventilated room.

- Near sources of excessive heat, combustible materials, or near ventilation points of adjacent buildings.
- Near a kitchen or workshop exhaust ducts; this can result in a mixture of oil and air settling onto the heat exchanger fins which could hamper its performance.
- In an area with flammable gaz, acidic substances, or alkalines which could cause irreversible damage to the copper-aluminium heat exchanger.



### IMPORTANT INSTALLATION RULES

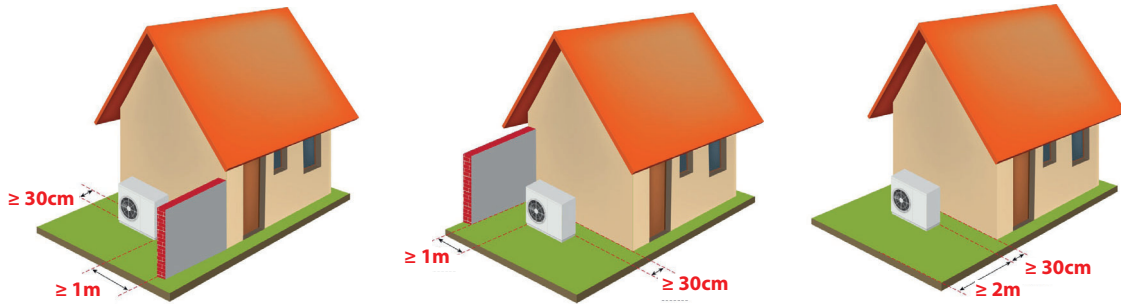
- Avoid installing the Heat pump in a location subject to noise reverberation such as near windows or near the corners of buildings.
- As the condensates draining trough slopes downward, the Heat pump must be installed on a level base.
- The Heat pump must be easily accessible so as to facilitate access for inspections and maintenance.

## 5.2 - Placement

The Heat Pump is designed to be installed outdoors exclusively, while respecting a minimum of free space around the appliance in an area free from excessive levels of dust. It should never be placed in an enclosed space.

The Heat Pump is designed to operate in rainy weather conditions, although it can be installed under a well-ventilated shelter (With an opening large enough to allow sufficient air flow for intake and exhaust).

Regarding the fan, the free space from any obstacles must be at least 2m.

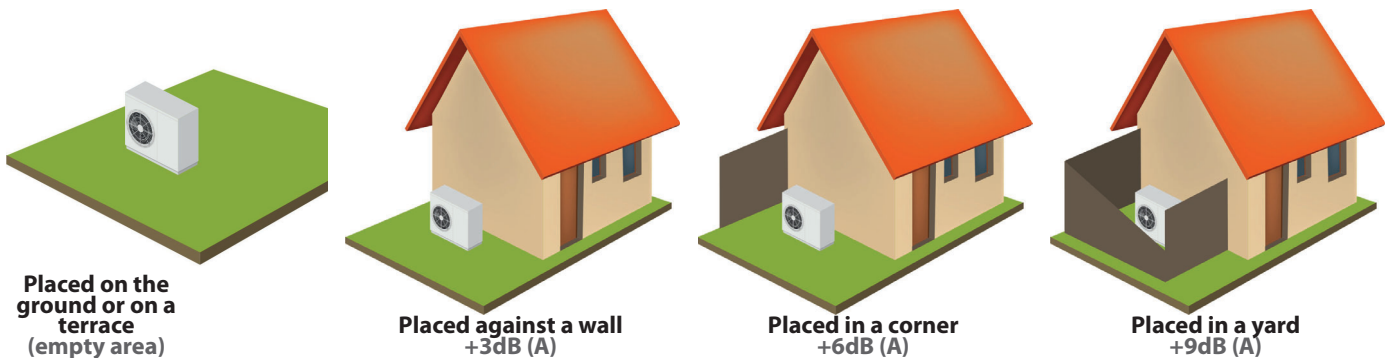


### 5.2.1 - Noise levels

The Heat Pump is equipped with a large diameter fan so as to allow for an appropriate air flow rate. This flow rate can rise up to 9.000 m<sup>3</sup>/h. The fan speed is adjustable to limit the noise level.

Depending on the installation conditions, the noise levels may be different, in particular if the walls closest to the Heat Pump cause a reverberation and amplification of noise.

The diagrams below show different installation examples for different placements.

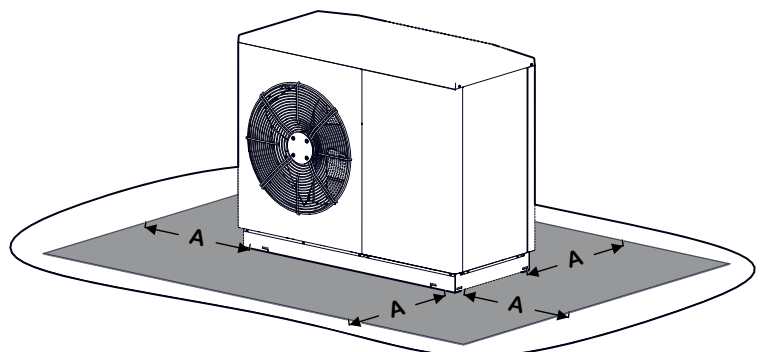


### 5.2.2 - Safe area

The heat pump contains a flammable refrigerant. In case of leak, the refrigerant could accumulate near the ground (higher density than air), or spread through openings in the building. In order to limit the risk of a toxic, suffocating, explosive or dangerous atmosphere, a safety perimeter must be established around the machine. This perimeter must not include a window, door, or any openings towards the interior of the building.

#### 5.2.2.1 - Ground security area

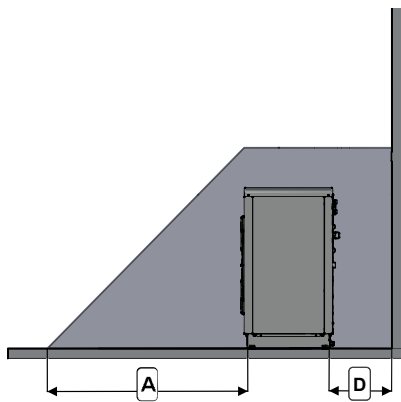
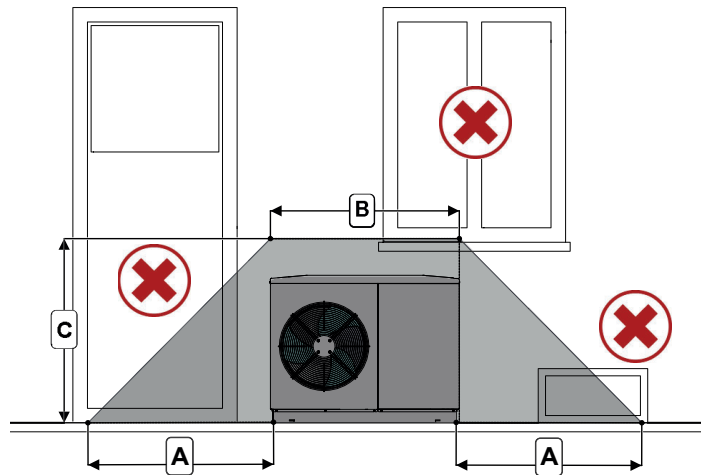
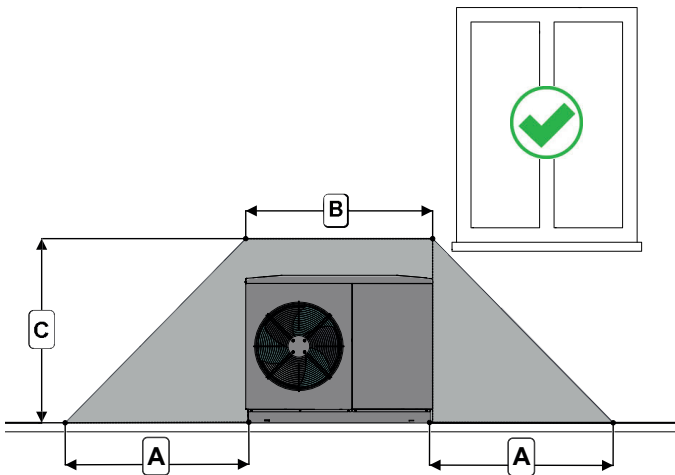
Observe this area if the heat pump is in free field.





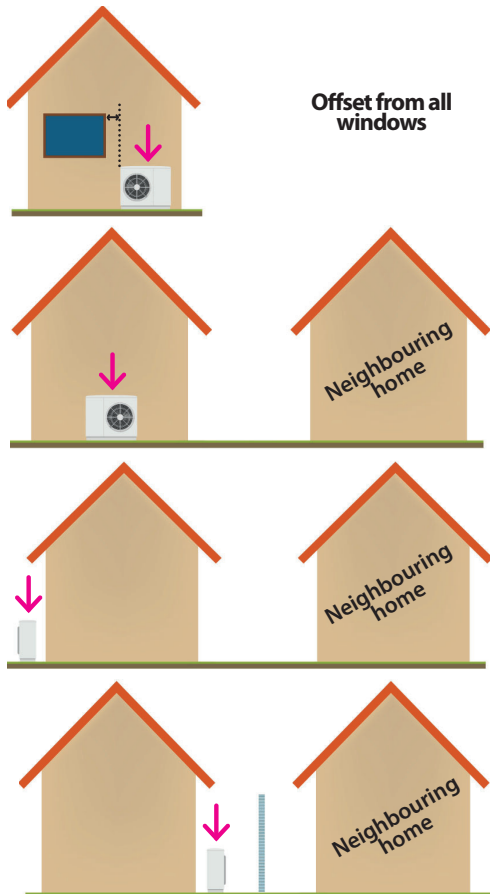
### 5.2.2.2 - Security area in front of a wall

This area must be respected if the heat pump is against a wall and close to the opening of a building.



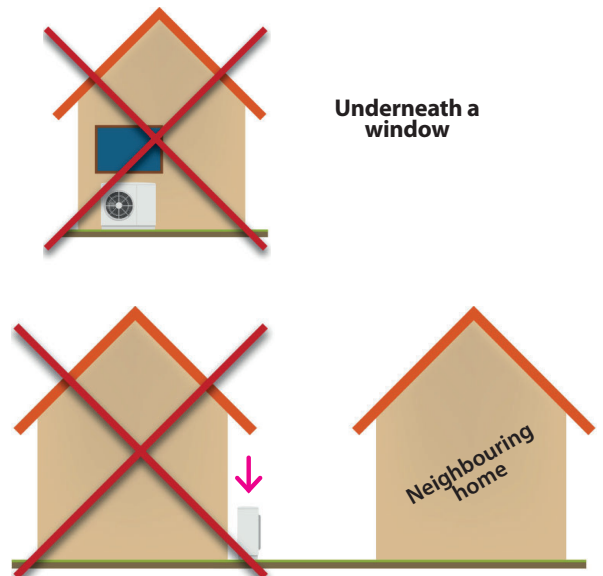
| Distances from the security perimeter (mm) |                        |                        |
|--|------------------------|------------------------|
|  | HTi <sup>70</sup> 11kW | HTi <sup>70</sup> 14kW |
| A  | 1000                   | 1000                   |
| B  | 1300                   | 1300                   |
| C  | 1600                   | 1600                   |
| D  | 300                    | 300                    |

### 5.2.3 - Accepted installation sites



The noise prevention screen must be made of insulated materials.

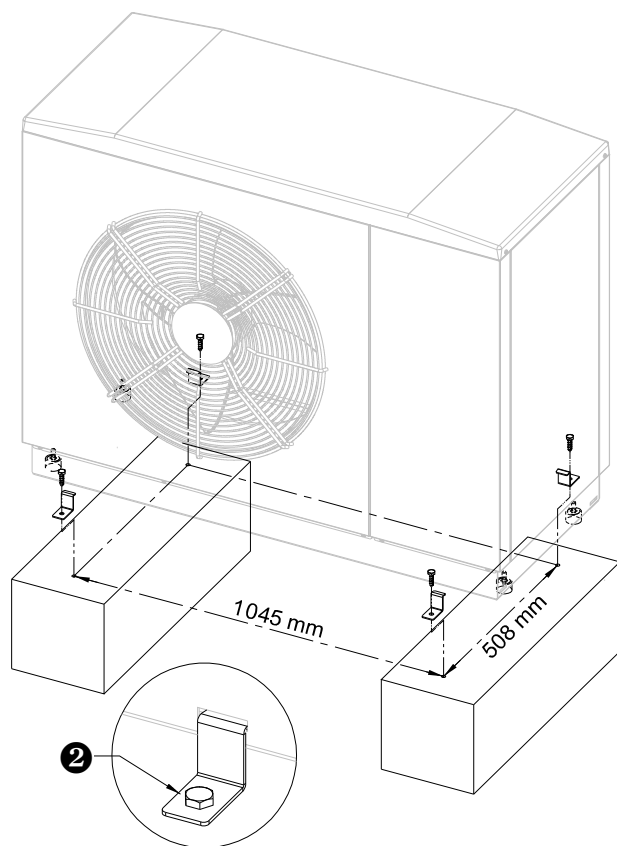
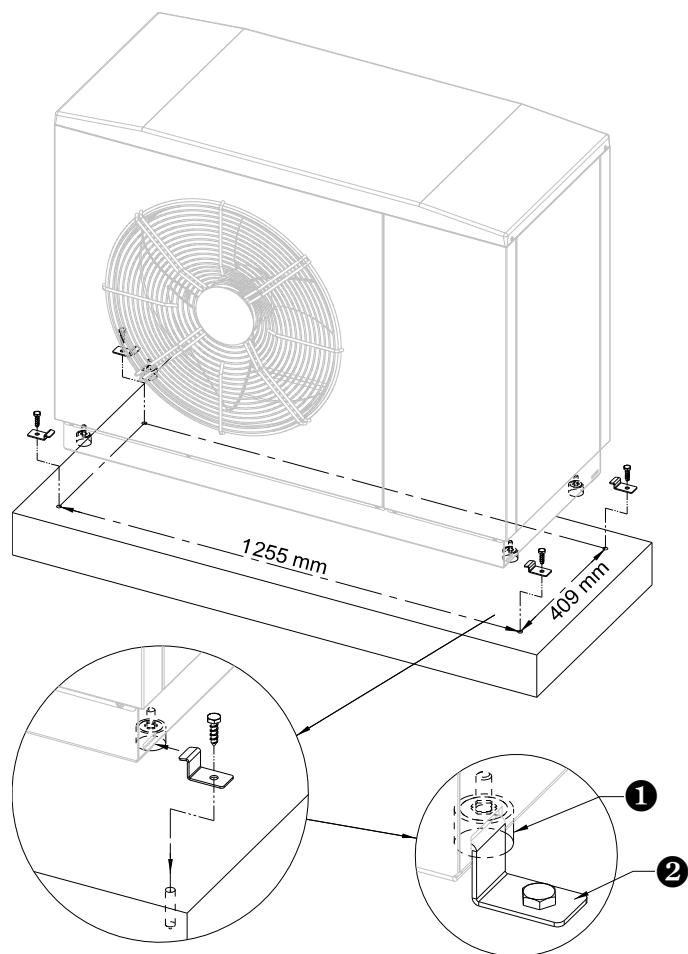
### 5.2.4 - Prohibited installation sites



## 5.3 - Setting up



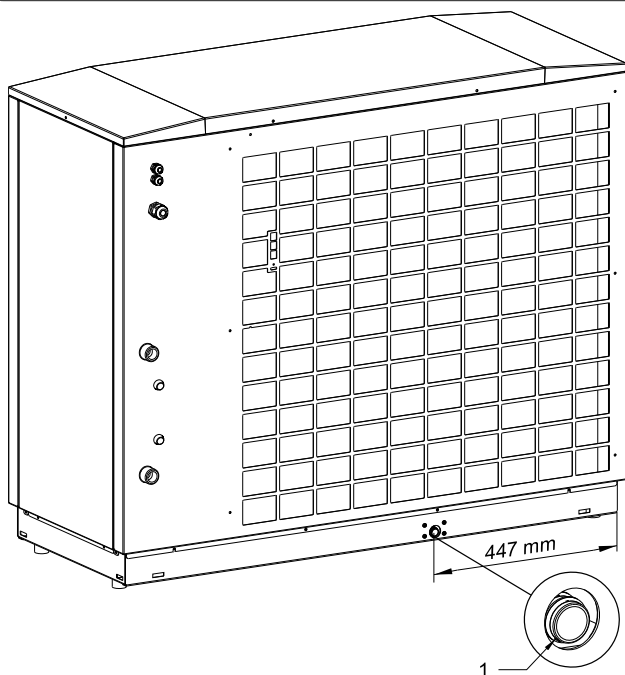
The Heat pump must be installed on a hard and stable base, which is sufficiently raised from ground level to avoid risks of damage in case of flooding or snow.



- Put the heat pump in his 4 attachment tabs (1)

- If needed, attach the heat pump to the floor using these 4 fixing lugs (2). (ref. 754601) screws not supplied.

## 5.4 - Condensate evacuation



When the appliance is operating in frost protection mode, the condensed water must be drained off. In order for the condensates to drain properly, the drainage trough and hole 1 must be clean and free of all debris (leaves, grass, etc...).

During cold weather, ice may form on the evaporator. The heat pump has an automatic defrosting system to eliminate this phenomenon. Do not use tools to remove the glass as this could damage the evaporator.

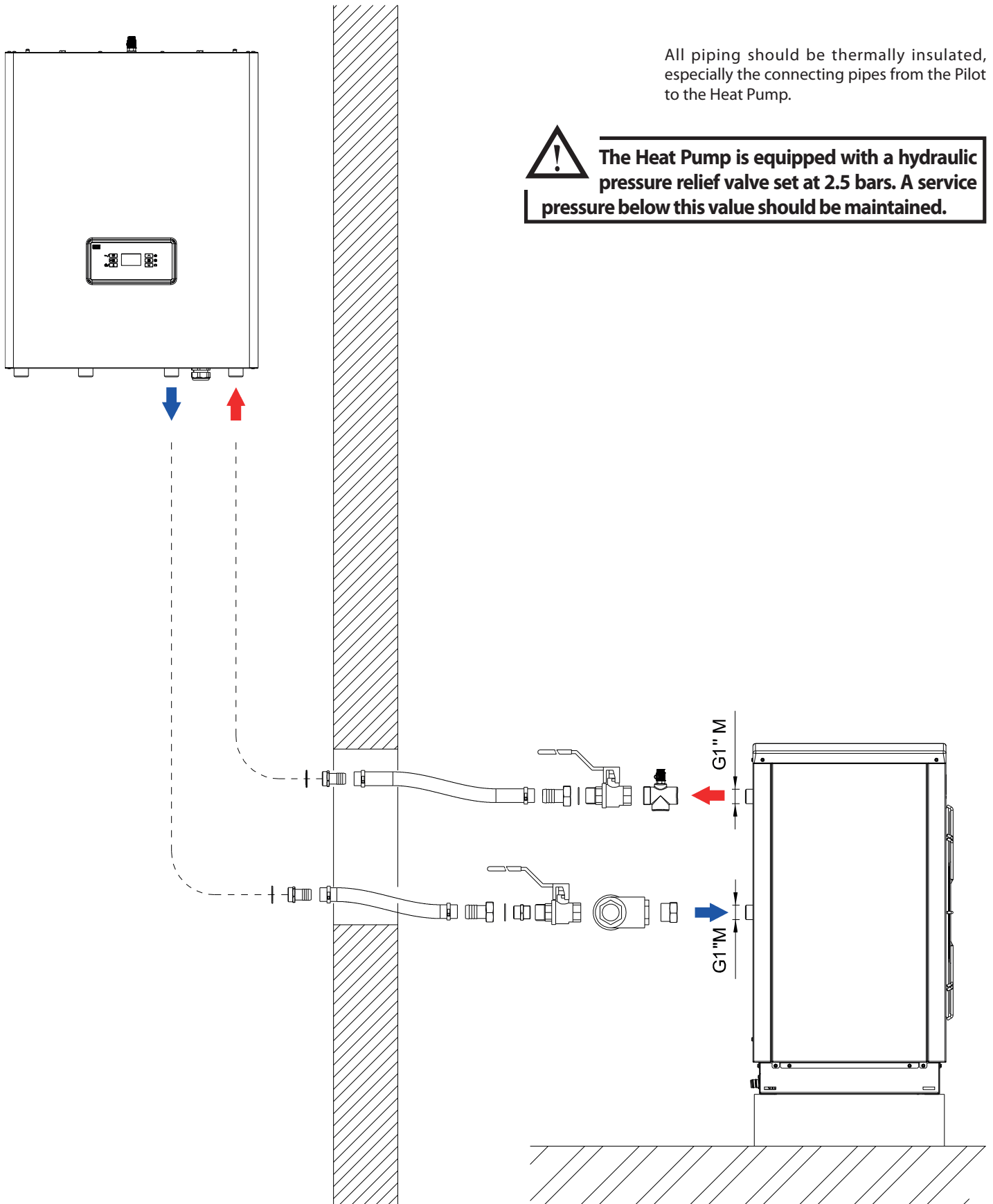
The condensates can be connected to the drain with the optional external defrost kit (Ref. 754101). It's made up of a reinforced PVC pipe and a heating cord allowing drainage in freezing weather.

It's also possible to let the condensates flow freely at the back of the heat pump. In this case, it's necessary to provide in the ground a device allowing a drainage of water in depth.

## 5.5 - Hydraulic installation

### 5.5.1 - Hydraulic connections on the installation

In order to ensure that fluids can circulate properly, it is advisable to check that the sizing of piping in the circuit is appropriate between the Heat Pump and the Pilot.



## 5.5.2 - Hydraulic connection between Heat pump and pilot

A sufficient flow rate should be ensured so that the range of temperature between the outlet and inlet of the Heat Pump does not exceed 5°C when the Heat Pump is operating at full power (take a temperature measure when the HTi Heat Pump is in heating mode and the system is fully functioning):

The hydraulic connection section between the Heat Pump and the Pilot must be sufficient.

Using the tables below, determine the minimum inner diameter of the connection of piping needed depending on the distance\* which separates the Heat Pump and the Pilot.

| Heat pump model           | 11kW    | 14kW    |
|---------------------------|---------|---------|
| Minimum nominal flow rate | 1550L/h | 2000L/h |
| Maximum pressure          | 2.5 bar | 2.5 bar |
| Hydraulic connection      | 1"      | 1"      |

Make sure that all sections of piping are equipped with functional and accessible air valves.

The Heat pump's hydraulic connection to the Pilot can be done using steel, copper, or reticulated polyethylene pipes with a minimum equivalent diameter of 1".

**The hydraulic kit must be installed using flexible piping on the water inlet and outlet points of the Heat pump in order to prevent any vibrations from being transmitted to the heating system.**

Minimum Ø of piping needed:

|   |       |       |
|---|-------|-------|
| If distance between HP and pilot < 10m <sup>1</sup>           | 24/26 | 28/30 |
| If distance between HP and pilot > 10m and < 15m <sup>2</sup> | 28/30 | 32/34 |
| If distance between HP and pilot > 15m and < 25m <sup>3</sup> | 32/34 | 36/38 |
| If distance between HP and pilot > 25m and < 50m <sup>4</sup> | 36/38 | 42/44 |

<sup>1</sup> Equivalent to 20 linear meters of head loss

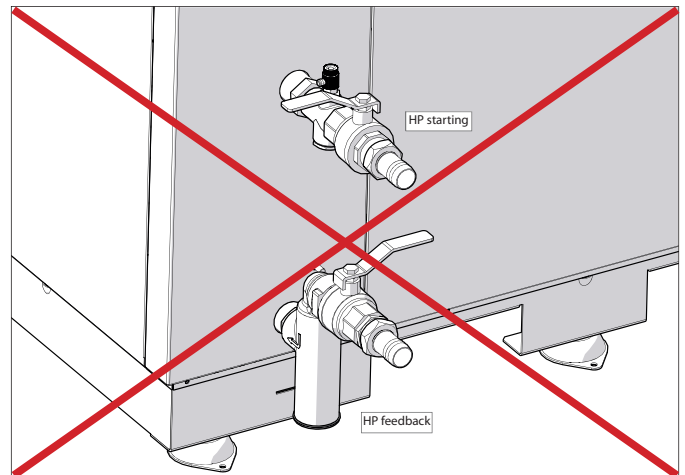
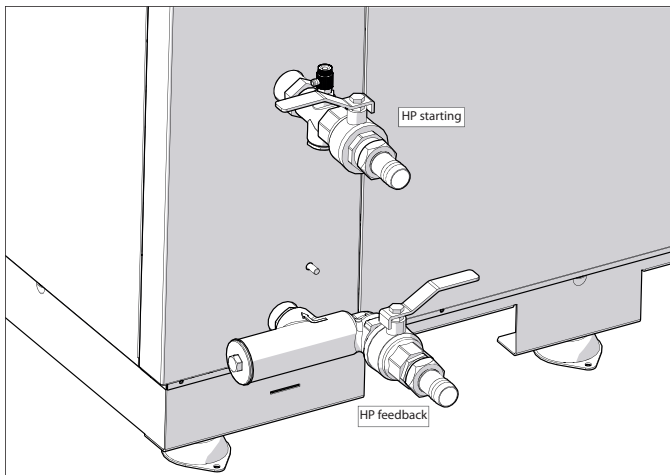
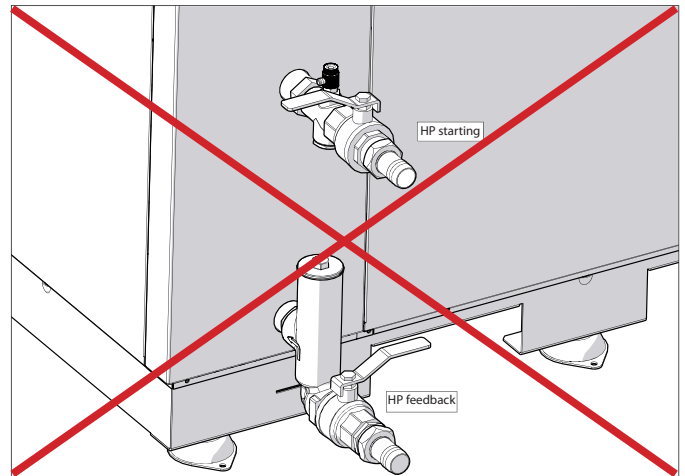
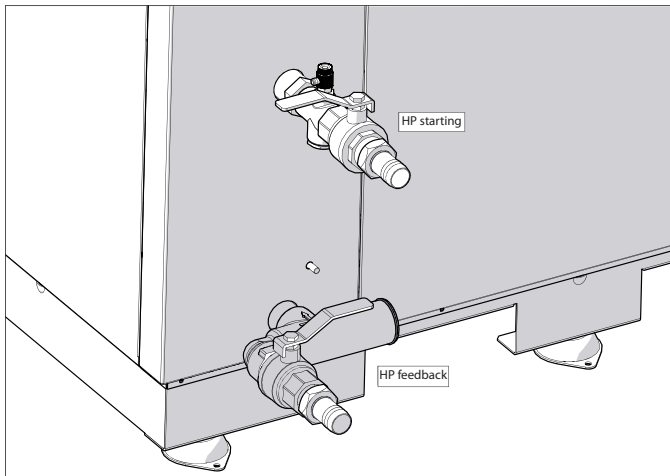
<sup>2</sup> Equivalent to 30 linear meters of head loss

<sup>3</sup> Equivalent to 50 linear meters of head loss

<sup>4</sup> Equivalent to 100 linear meters of head loss

### 5.5.2.1 - Hydraulic connections on the HTi 11 & 14kW

The hydraulic connection kit (Ref. 751019) supplied with the heat pump must be installed. See instructions supplied with the kit.



### 5.5.3 - Heat pump water inlet filter (supplied)

A 1" valve with a built-in 500µm filter must be installed on the water inlet piping on the Heat pump:

- Respect the direction of flow on the filter (arrow on the valve).



**Clean the filter several times as soon as the Heat pump circulator pump has been activated (make sure to switch off the Heat pump circulator pump before cleaning).**

- Clean the filter at least once per year.



**Please refer to the pilot's user manual for any additional recommendations concerning hydraulic connection.**

## 5.6 - Connecting to the power supply

### 5.6.1 - General recommendations

Ensure that the power supply is sufficient to supply both the Heat pump and the electrical back-up if necessary, taking into account any other domestic usage of electricity.

Connection to the power supply for each appliance must be done by a qualified professional with the mains power switched off.



**The rules and regulations in the country of installation MUST be respected (standard C15-100).**

- **The electrical lines for general power supply to the circuits must be made in compliance with your country's current rules and regulations (standard C15-100).**
- **Standard C15-100 determines the cable section to be used based on acceptable currents.**
- **Standard C15-100 determines the cable section to be used based on the following elements:**
  - **Nature of the conductor:**
    - . type of insulation, number of strands, etc...
  - **Installation mode:**
    - . influence of conductor and cable groups
    - . ambient temperature
    - . tightly or non-tightly installed
    - . length of cables, etc...



**• During transport, the electrical connections may be subject to accidental loosening.**

- **To eliminate any risk of abnormal heating, it is necessary to ensure the placement of the faston type electrical connections are secure and tighten the screw connections.**

**See§ «Spare parts - electrical boxes»**

Each appliance is delivered from the factory completely pre-wired. However, it is necessary to connect the following elements to the relevant terminals:

- The electrical supply of the Heat pump's power supply circuit.
- The 2-core sheathed connecting cable (10m length supplied) between the Heat pump and the Pilot.

Under no circumstances will the manufacturer be held liable for any problems which may arise due to improper installation and/or choice of power supply cable.

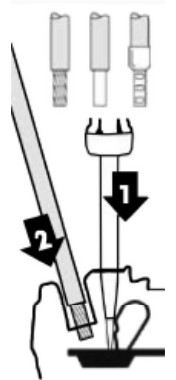
### Connecting terminals

The terminal strips are spring-loaded «Cage Clamps».

For Handling, use the following :

- for 2.5mm<sup>2</sup> or 4mm<sup>2</sup> control terminals, use a 3.5 x 0.5mm flat-head screwdriver.
- for 6mm<sup>2</sup> power terminal, use a 5.5 x 0.8mm flat-head screwdriver.

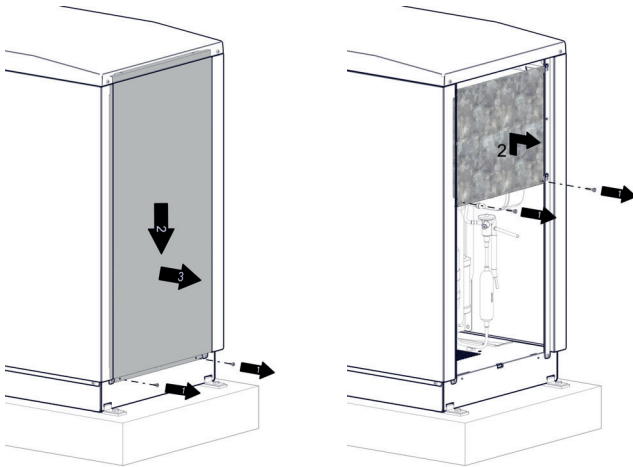
- 1** : Insert the screwdriver into the rectangular window located on top of the terminal block.
- 2** : Insert the wire into the «Cage Clamp» when the flap is open.
- 3** : Remove the screwdriver.



**Nota** : The wires must be stripped to the following lengths :

- for the 2.5mm<sup>2</sup> control terminals between 8 and 10mm.
- for the 4mm<sup>2</sup> control terminals between 10 and 12mm.
- for the 6mm<sup>2</sup> power terminal between 13 and 15mm.

## 5.6.2 - Accessing the connection terminals



- 1 : Remove the 2 screws
- 2 : Slide the panel downwards
- 3 : Pull the panel forwards

- 1 : Remove the two screws
- 2 : Slide upwards and pull forwards

## 5.6.3 - Recommendations for connecting the system to the power supply

### Check:

- **The power consumption**
- **Number and thickness of the power supply cables**
- **Fuse or circuit breaker ratings**

The power supply must come from an electrical protection and sectioning device which complies with all current rules and regulation in effect in the country of use.

This CE-approved unit complies with all the essential requirements of the following directives:

- Low voltage n°2006/95/CE
- Electromagnetic compatibility n° 2004/108/CE

Ensure that the installation is equipped with a properly sized and connected grounding cable.

Ensure that the voltage and frequency of the general power supply fits requirements.

The acceptable variation in voltage is:

- |               |                              |
|---------------|------------------------------|
| 230 V +/- 10% | 50Hz for single-phase models |
| 400 V +/- 10% | 50Hz for three-phase models  |

**See Appendix A1 for components adapted to the heat pump.**

## 5.6.4 - Connection to the power supply

The HTi<sup>70</sup> Heat pump is CE-marked. It is compliant with French standard NF C15-100 as well as European standards EN 61000-3-3 and EN 61000-3-11, among others.

The power supply cable should be sized carefully according to the following factors:

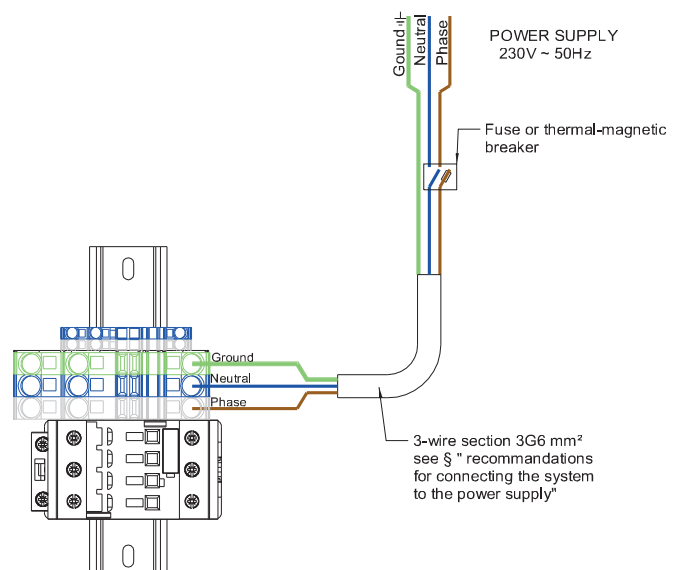
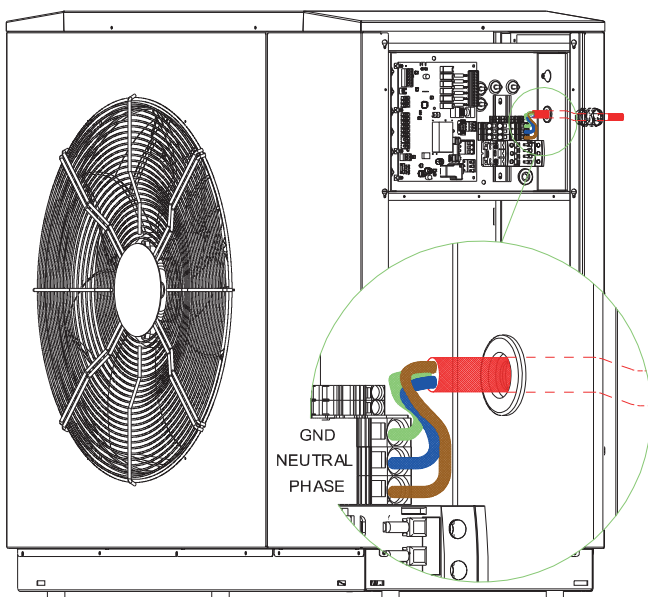
- Maximum current required
- Distance between the HTi<sup>70</sup> Heat pump and the power supply
- Overall protection
- The neutral operating system

**Make sure to strip the cable before placing it into the terminals, and make sure that the copper is in good condition.**

A method of disconnection must always be installed in compliance with the installation rules.

If the power supply cable is damaged, it must be replaced by a qualified professional to avoid any risk of danger.

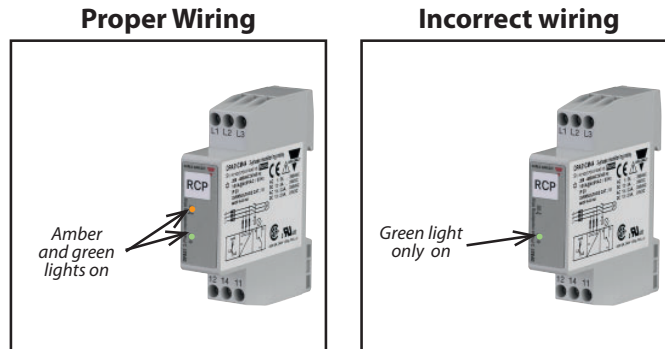
### 5.6.4.1 - Single-phase connection



## 5.6.4.2 - Three-phase connection

### • A phase controller relay HTi<sup>70</sup> three-phase 11kW and 14kW heat pump.

In order to prevent a phase fault or bad sequence -which could cause compressor damage- a phase controller relay is installed. It prohibits the power supply to the heat pump if phases are reversed.



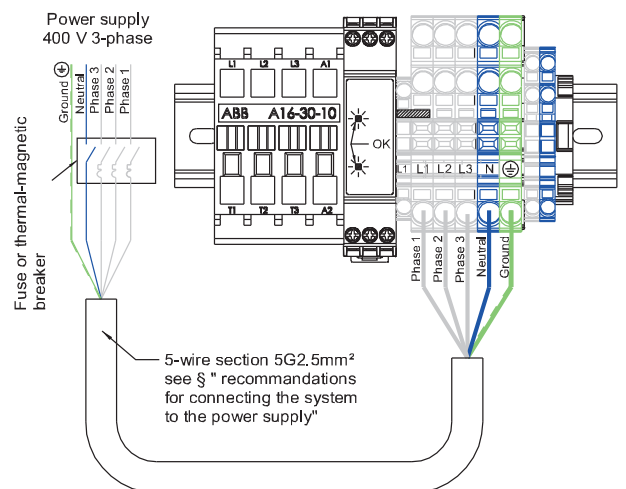
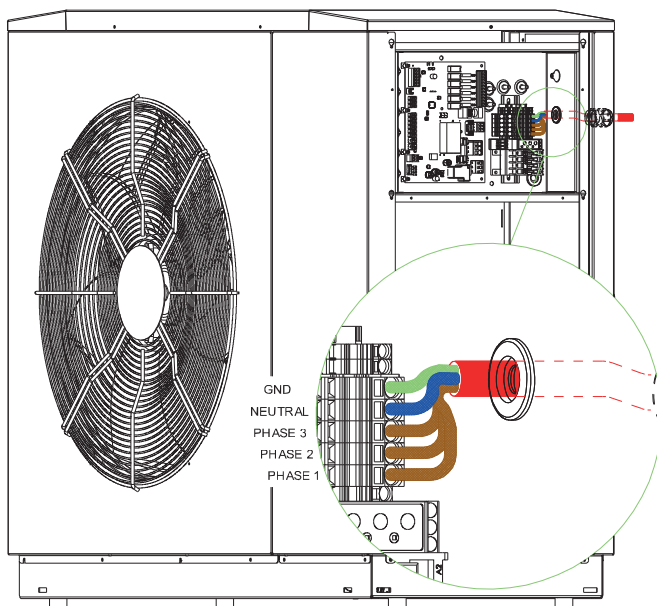
In case of incorrect wiring :



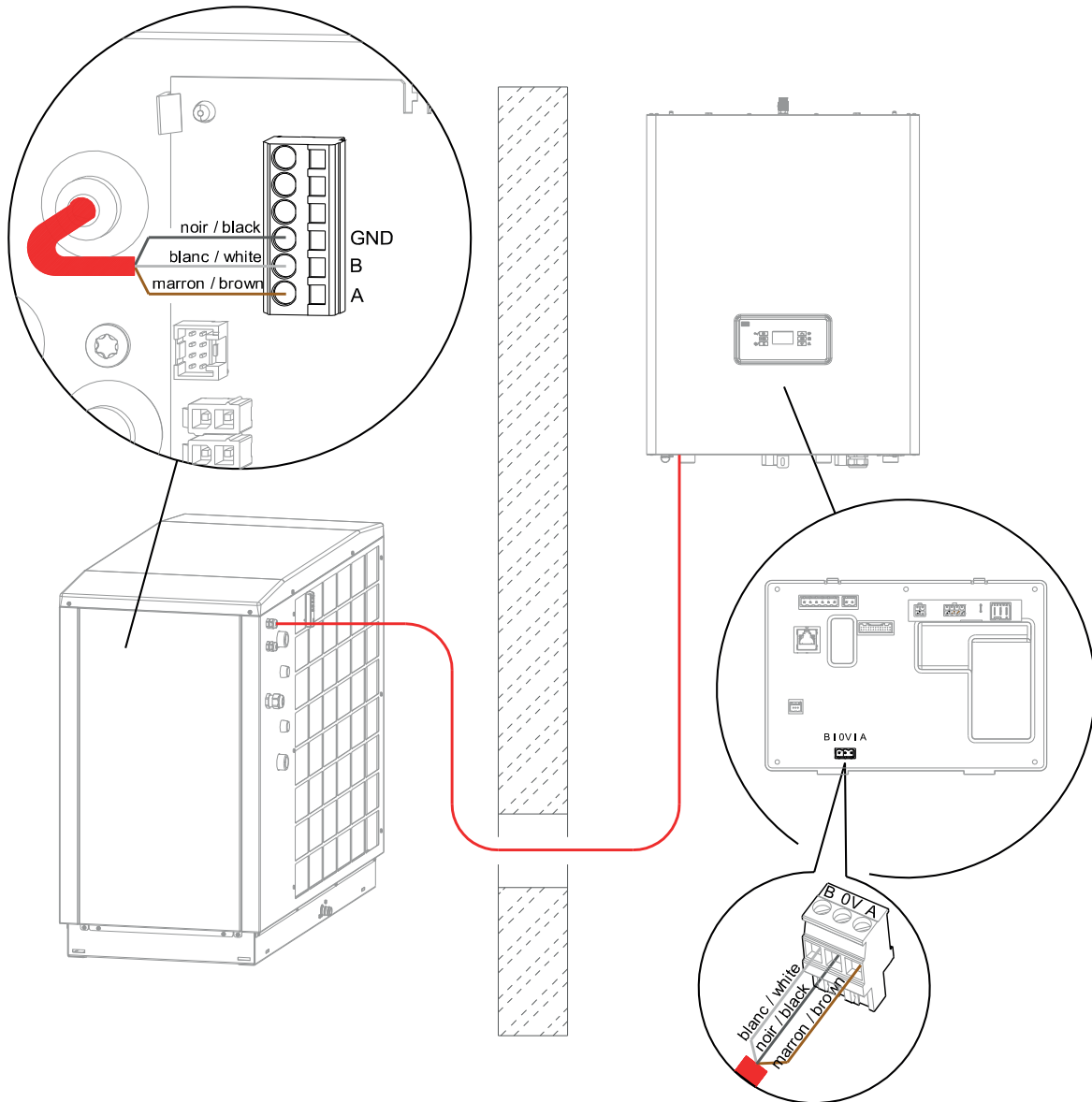
**Attention, never work under tension**

If the order of the phases is reversed or if a phase is missing, the relay cuts the power supply to the electronic board. A «BUS Err» defect appears. On the phase controller relay, this is indicated by the absence of the orange light on the top and the green light on the bottom. To correct this fault situation, two phases must be reversed on the power terminal block general power cable.

When the hydraulic driver is powered on, a «BUS fault» is displayed. Reverse two phases on the heat pump three-phase power cable. Power back on and check the voltage on each phase.



## 5.6.5 - Communication bus cable between the heat pump and the pilot





## 6 - MAINTENANCE AND TROUBLESHOOTING



**In order to ensure the best performance results from your HTi<sup>70</sup> Heat pump it should be subject to regular maintenance.**

- **An annual maintenance check is recommended to be carried out by a qualified professional on the hydraulic heating circuit.**
- **All work carried out on the refrigerant circuit must be done by a qualified professional with a category 1 certificate of aptitude.**
- **Always switch the appliance off before opening it.**

### 6.1 - General information

After the appliance has been operating for a few days, it is advised to check that the water circuit is properly sealed.

**Note:** In case of maintenance work or decommissioning of an appliance, please respect all environmental protection instructions concerning recovery, recycling, and disposal of consumables and components.

### 6.2 - Maintenance on the hydraulic circuit

Inspection of the water circuit consists of removing sludge, checking the filters, and stopping up any leaks that may have appeared. Clean or replace clogged or dirty filters.

From time to time check that the condensates are draining properly.

### 6.3 - Maintenance of the Heat pump

The HTi<sup>70</sup> Heat pump contains R290 refrigerant fluid. It is not subject to regulations concerning greenhouse gasses, and does not necessitate mandatory annual maintenance by a qualified professional.

However, it is still recommended to carry out periodic (at least once per year) cleaning of the evaporator fins if it is obstructed by dust or leaves: this should be done using a vacuum cleaner or by spraying with water.



**Never clean the finned heat exchanger with high-pressure cleaning equipment as it could damage the fins.**

In case of repair work on the HTi<sup>70</sup> Heat pump, the refrigerant circuit, or the electrical box, it is important to follow the following instructions:

Any work on the refrigerant circuit must be undertaken by a qualified professional with a category 1 certificate of aptitude. 1. It is forbidden to release gas from the refrigerant circuit into the atmosphere, and it is obligatory to recover the refrigerant before undertaking any work on the circuit.

The HTi<sup>70</sup> Heat pump uses R290 refrigerant fluid. Given the flammable nature of this fluid, any work on the refrigerant circuit must be carried out using suitable equipment which complies with the current rules and regulations in effect.

When handling the fluid (recovery, draining, or refilling), the appliance must be disconnected from the power supply. Do not smoke. Do not generate any flame (lighter, blowtorch) while handling the fluid. If work is necessary on the refrigerant circuit using a flame (blowtorch), the refrigerant circuit must be emptied and replaced with nitrogen.



**Keep in mind that there may be some refrigerant fluid remaining in certain parts of the circuit after it has been emptied and replaced with nitrogen. (Creation of a flame is possible).**

### 6.4 - Maintenance of the electrical components



**Always disconnect the appliance from the power supply before accessing the electrical terminals.**  
**Do not get water on any of the electrical components.**

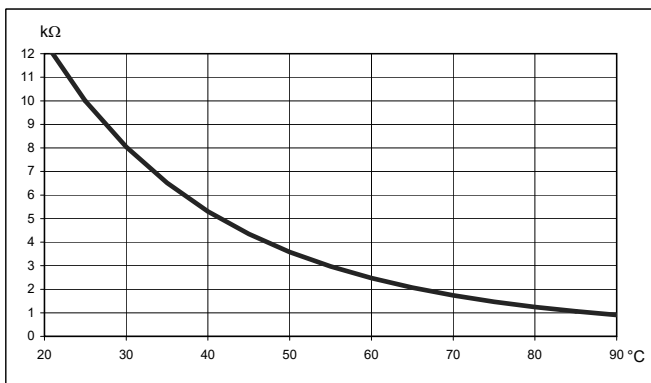
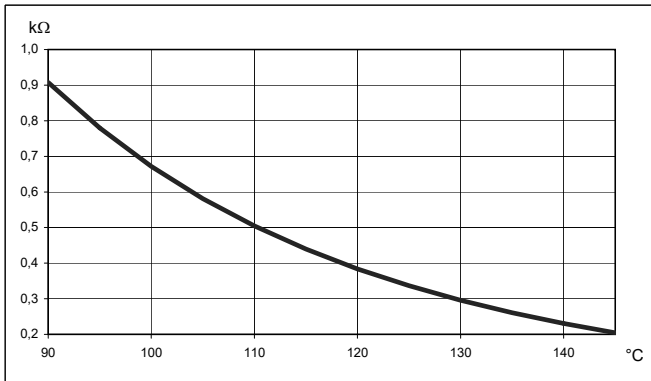
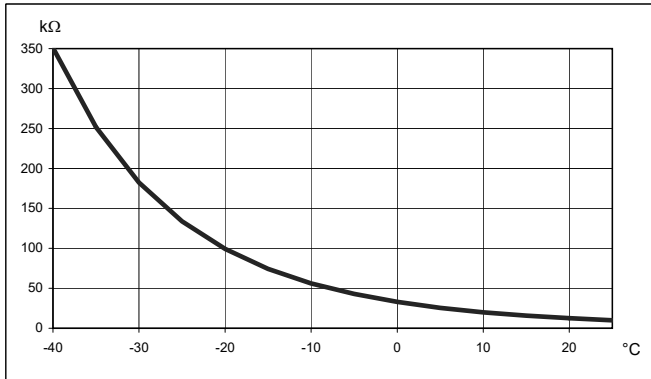
- Check on both the HTi<sup>70</sup> Heat pump and the HTi<sup>70</sup> Pilot that the electrical supply cables are properly connected to the terminals.
- Check the electrical connections for oxidization or overheated sections.
- Check the tightness of the cables on the compressor starters.
- Clean any dust from the electrical box and check the connections.
- Check that the ground cable is properly connected.

### 6.5 - Consulting the meters

Consultation of the meters can be done from the hydraulic pilot's display screen (refer to the Pilot's user manual).

## 6.6 - Sensor data curve charts

### 6.6.1 - Water inlet and outlet - de-icing sensor - air intake sensor - sensors installed on compressors 1 and 2 -



| Temp. (°C) | Sensor value (KOhms) | Temp. (°C) | Sensor value (KOhms) | Temp. (°C) | Sensor value (KOhms) | Temp. (°C) | Sensor value (KOhms) |
|------------|----------------------|------------|----------------------|------------|----------------------|------------|----------------------|
| -40        | 351.078              | 10         | 20.017               | 60         | 2.472                | 110        | 0.504                |
| -35        | 251.277              | 15         | 15.768               | 65         | 2.068                | 115        | 0.439                |
| -30        | 182.451              | 20         | 12.513               | 70         | 1.739                | 120        | 0.384                |
| -25        | 133.827              | 25         | 10.000               | 75         | 1.469                | 125        | 0.336                |
| -20        | 99.221               | 30         | 8.045                | 80         | 1.246                | 130        | 0.296                |
| -15        | 74.316               | 35         | 6.514                | 85         | 1.061                | 135        | 0.261                |
| -10        | 56.202               | 40         | 5.306                | 90         | 0.908                | 140        | 0.231                |
| -5         | 42.894               | 45         | 4.348                | 95         | 0.779                | 145        | 0.204                |
| 0          | 33.024               | 50         | 3.583                | 100        | 0.672                |            |                      |
| 5          | 25.607               | 55         | 2.968                | 105        | 0.581                |            |                      |

## 6.7 - Modification

Any modification of the device is **prohibited**. Any replacement of components must be done by a professional with original parts from the manufacturer.

## 6.8 - Decommissioning

### 6.8.1- Interim Decommissioning of Product

In the event of a prolonged absence with a power cut to the housing and product, ask a qualified professional to drain the product or protect it from freezing.

### 6.8.2- Final decommissioning of the product

Turn off the product to a specialized installer.

## 6.9 - Recycling and Disposal

Entrust the disposal of the packaging to the installer who installed the product.



The above symbol requires:

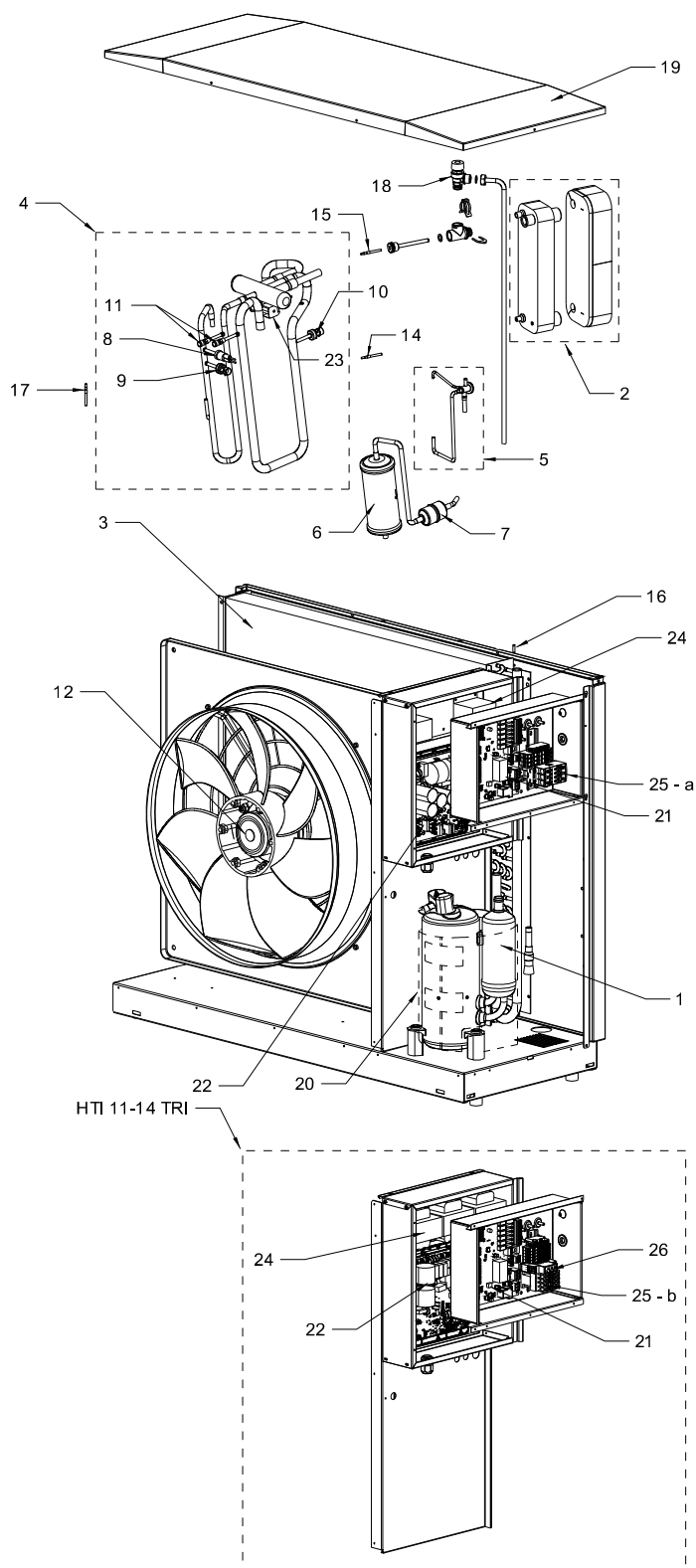
- Do not dispose of the product with the household waste.
- Dispose of the product at a collection point for used electrical and electronic equipment.

### 6.9.1- Disposal of refrigerant

The product contains refrigerant R290 (propane).

- Routinely dispose of refrigerant to qualified personnel.
- Follow the general safety conditions.

# 7 - LIST OF SPARE PARTS



| Rep. | Reference number                 |                                  |                                  |                                  | Designation                         |
|------|----------------------------------|----------------------------------|----------------------------------|----------------------------------|-------------------------------------|
|      | 155020<br>HTi <sup>70</sup> 11kW | 155030<br>HTi <sup>70</sup> 14kW | 155060<br>HTi <sup>70</sup> 11kW | 155070<br>HTi <sup>70</sup> 14kW |                                     |
| 1    | B4994975                         | B4994975                         | B4994975                         | B4994975                         | Compressor replacement kit          |
| 2    | B4994976                         | B4994977                         | B4994976                         | B4994977                         | Condenser kit                       |
| 3    | B1473038                         | B1473039                         | B1473038                         | B1473039                         | Evaporator                          |
| 4    | B4994978                         | B4994979                         | B4994978                         | B4994979                         | 4-way valve kit                     |
| 5    | B4994980                         | B4995248                         | B4994980                         | B4995248                         | Pressure reducing kit               |
| 6    | B1473124                         | B1473124                         | B1473124                         | B1473124                         | Liquid reservoir tank               |
| 7    | B1472837                         | B1472837                         | B1472837                         | B1472837                         | Dehumidifying filter                |
| 8    | B1239269                         | B1239269                         | B1239269                         | B1239269                         | High pressure switch                |
| 9    | B1239268                         | B1239268                         | B1239268                         | B1239268                         | High pressure sensor                |
| 10   | B1239225                         | B1239225                         | B1239225                         | B1239225                         | Low pressure sensor                 |
| 11   | B1473030                         | B1473030                         | B1473030                         | B1473030                         | Charging tube                       |
| 12-a | B1592587                         | B1592587                         | B1592587                         | B1592587                         | Fan Ø630                            |
| 12-b | B1595285                         | B1595285                         | B1595285                         | B1595285                         | Fan Ø710                            |
| 14   | B1244833                         | B1244833                         | B1244833                         | B1244833                         | Water inlet temperature sensor      |
| 15   | B1244577                         | B1244577                         | B1244577                         | B1244577                         | Water outlet temperature sensor     |
| 16   | B1244522                         | B1244522                         | B1244522                         | B1244522                         | Air temperature sensor              |
| 17   | B1244834                         | B1244834                         | B1244834                         | B1244834                         | Compressor temperature sensor       |
| 18   | B1239285                         | B1239285                         | B1239285                         | B1239285                         | Pressure relief valve 2.5 bars      |
| 19   | B4994981                         | B4994981                         | B4994981                         | B4994981                         | Cover kit                           |
| 20   | B1594870                         | B1594870                         | B1594870                         | B1594870                         | Compressor insulation               |
| 21   | B4994719                         | B4994719                         | B4994719                         | B4994719                         | HP C9 circuit board replacement kit |
| 22   | B1244882                         | B1244882                         | B1244884                         | B1244884                         | Compressor power board              |
| 23   | B1239266                         | B1239266                         | B1239266                         | B1239266                         | 4-way valve solenoid                |
| 24   | B1242005                         | B1242005                         | B1244941                         | B1244941                         | Choke                               |
| 25-a | B1242001                         | B1242001                         |                                  |                                  | Single-phase contactor              |
| 25-b |                                  |                                  | B1243847                         | B1243847                         | Three-phase contactor               |
| 26   |                                  |                                  | B1943752                         | B1943752                         | Phase controller                    |
|      | B4994982                         | B4994982                         | B4994983                         | B4994983                         | Complete wiring kit                 |
|      | B1244728                         | B1244728                         | B1244728                         | B1244728                         | C9 connection wires 10m             |
|      | B1244853                         | B1244853                         | B1244853                         | B1244853                         | Heating cord for defrost tank       |

**Nota : Availability of spare parts :**

The spare parts of our products are available for 10 years, from the date of stop of production in series, except event independent of our will.

# 8 - WARRANTY

## 8.1 - Warranty coverage

The warranty covers the HTi<sup>70</sup> Heat pump and the HTi<sup>70</sup> Pilot components for a period of two (2) years, starting from the date the appliance was activated, if the warranty form was sent back to the manufacturer. In the absence of this document, the date of manufacture will be used to determine the start date of the warranty.

**If the appliance was installed by an AUER-approved technical center, you will be entitled to an additional year on your warranty. A comprehensive warranty will apply for the first year (parts, labour and on-site support) followed by two more years of coverage for parts only.**

The appliance is guaranteed against all manufacturing defects, provided that it was installed according to the instructions provided in this manual and in compliance with all current rules and regulations in the country of installation. All electrical connections should comply with the C15-100 standard.

Under no circumstances does a defective part warrant the replacement of the whole appliance.

The warranty only applies to parts which we (AUER) identify as having been defective at manufacture. If necessary, the part or product should be returned to the manufacturer, but only with prior agreement from our technical department. Labour, transport, and packaging costs are the responsibility of the user. Repairs on a device will not result in compensation.

The warranty on replacement parts ends at the same time as the warranty of the appliance.

The warranty only applies to the appliance and its components and excludes any part or installation external to the appliance: electrical parts, hydraulic components, etc...

The warranty will not apply in the absence of, insufficient, or improper, maintenance of the appliance.

It is essential to carry out regular annual maintenance on the appliances and on the installation to ensure sustained use and durability. This maintenance should be carried out by your installer, or by an AUER-approved technical center. In the absence of regular maintenance the warranty is rendered null and void.

Any work on the refrigerant circuit must be undertaken by a qualified professional with a category 1 certificate of aptitude. It is forbidden to release gas from the refrigerant circuit into the atmosphere, and it is obligatory to recover the refrigerant before undertaking any work on the circuit.

The HTi<sup>70</sup> Heat pump uses R290 refrigerant fluid. Given the flammable nature of the fluid, any work on the refrigerant circuit must be done with appropriate materials and conforming to all regulations in effect.

If an appliance is presumed to be the cause of any damage, it must not be moved or tampered with before an expert assessment has been carried out.

## 8.2 - Limitations of warranty

### 8.2.1 - General information

The warranty does not apply to defects or damage caused by situations or events such as:

- Misuse, abuse, negligence, improper transport or handling.
- Incorrect installation, or installation which has been carried out without following the instructions in the manual and user guide.
- Insufficient maintenance.
- Modifications or changes carried out on the appliance.
- Impacts from foreign objects, fire, earthquakes, floods, lightning, ice, hailstones, hurricanes or any other natural disaster.
- Movement, imbalance, collapse or settling of the ground or the structure where the appliance is installed.
- Any other damage which is not due to defects in the product.

We do not guarantee against variations in the colour of the appliance or damage caused by air pollution, exposure to chemical elements, or changes brought about by adverse weather conditions.

The products are not guaranteed against dirt, rust, grease or stains which occur on the surface of the appliance. We are not responsible for any variations in colour.

### 8.2.2 - Cases (not limited to) for exclusion from warranty

#### 8.2.2.1 - Heating circuit water

Cases (not limited) for exclusion from warranty:

- Not rinsing the heating circuit
- Using rain or well-water
- Not treating the water for filling the heating circuit according to the instructions in the installer instruction manual.

#### 8.2.2.2 - Handling

Cases (not limited) for exclusion from warranty:

- Any damage sustained by impacts or falls during handling after delivery from the factory.
- Deterioration in the condition of the appliance after handling where the instructions in the manual have not been followed.
- Deterioration of the **HTi<sup>70</sup> Heat pump** because it was leaning or laid flat.

#### 8.2.2.3 - Installation site

Cases (not limited) for exclusion from warranty:

- Placement of the **HTi<sup>70</sup> Pilot** in a location where it could be subject to ice/frost or other adverse weather conditions.
- Absence of frost protection for the appliances in the installation.
- Placement of the Heat pump on a surface which cannot support the weight of the appliance, or installation of the HTi<sup>70</sup> Pilot on a vertical surface which is not appropriate for the weight of the appliance.
- Not respecting the horizontal positioning of the Heat pump.
- Not positioning the appliance in accordance with the instructions in the installer manual.

Costs incurred due to access difficulties are not the manufacturer's responsibility.

#### 8.2.2.4 - Electrical connections

Cases (not limited) for exclusion from warranty:

- Faulty electrical connection which does not conform to the national standards in effect.
- Not following the electrical connection diagrams provided in the installer manual.
- Electrical supply being significantly over- or under- the required voltage.
- Not respecting the supply cable sections.
- Absence of, or insufficient electrical protection throughout the appliance (fuses / circuit breaker, grounding...).

#### 8.2.2.5 - Hydraulic connections

Cases (not limited) for exclusion from warranty:

- Inverting the inlet/outlet connections.
- Water pressure over 2.5 bars.
- Absence of, improper mounting of, or obstruction of pressure-relief valves.
- External corrosion due to piping being improperly sealed, or due to condensates not draining properly.
- Inappropriate connection for the draining and recovery of condensates.
- Installation which does not comply with the instructions provided in the installer manual.

#### 8.2.2.6 - Accessories

The warranty does not cover faults or defects resulting from:

- Installation of accessories which do not comply with our recommendations.
- The use of accessories which do not come from the manufacturer of the appliance.

#### 8.2.2.7 - Maintenance

Cases (not limited) for exclusion from warranty:

- Not respecting the maintenance instructions provided in the installer manual.
- Not maintaining:
  - . the evaporator
  - . the condensates drainage system
- Not using parts issued by the manufacturer.
- Outer casing and bodywork being subjected to any external damage.
- Abnormal sludge levels.
- Not cleaning the protective filters.

# APPENDIX

## A1 - Technical specifications

### A1.1 - General characteristics

|                                       | 155020<br>HTi <sup>70</sup> 11kW | 155060<br>HTi <sup>70</sup> 11kW | 155030<br>HTi <sup>70</sup> 14kW | 155070<br>HTi <sup>70</sup> 14kW |
|---------------------------------------|----------------------------------|----------------------------------|----------------------------------|----------------------------------|
| Electrical supply                     | 230 V single-phase               | 400 V three-phase                | 230 V single-phase               | 400 V three-phase                |
| Maximum power consumption             | 7 kVA                            | 7 kVA                            | 7 kVA                            | 7 kVA                            |
| Maximum current needed                | 31 A                             | 10 A                             | 31 A                             | 10 A                             |
| Progressive starter                   | NO                               | NO                               | NO                               | NO                               |
| Heat pump regulation mode             | Variable speed                   | Variable speed                   | Variable speed                   | Variable speed                   |
| Circuit breaker calibration (curve D) | 32 A single-phase                | 16 A three-phase                 | 32 A single-phase                | 16 A three-phase                 |
| Supply section                        | 3G 6 mm <sup>2</sup> *           | 5G 2,5 mm <sup>2</sup> *         | 3G 6 mm <sup>2</sup> *           | 5G 2,5 mm <sup>2</sup> *         |
| Maximum temperature                   | 70 °C                            | 70 °C                            | 70 °C                            | 70 °C                            |
| R290 refrigerant fluid                | 0,900 kg                         | 0,900 kg                         | 0,950 kg                         | 0,950 kg                         |
| Range of exterior air temperature     | -20 à +40 °C                     | -20 à +40 °C                     | -20 à +40 °C                     | -20 à +40 °C                     |
| Construction                          | steel                            | steel                            | steel                            | steel                            |
| Dimensions L x H x P mm               | 1235x1028x490                    | 1235x1028x490                    | 1235x1028x490                    | 1235x1028x490                    |
| Weight when empty                     | 136 kg                           | 146 kg                           | 142 kg                           | 150 kg                           |
| Nominal water flow rate               | 1550 l/h                         | 1550 l/h                         | 2000 l/h                         | 2000 l/h                         |
| Hydraulic connection                  | 26 / 34 male                     | 26 / 34 male                     | 26 / 34 male                     | 26 / 34 male                     |
| Maximum hydraulic pressure            | 2,5 bars                         | 2,5 bars                         | 2,5 bars                         | 2,5 bars                         |
| Ø condensates drainage                | 18 / 22 mm                       | 18 / 22 mm                       | 18 / 22 mm                       | 18 / 22 mm                       |
| Max air flow rate                     | 7250 m <sup>3</sup> /h           | 7250 m <sup>3</sup> /h           | 8000 m <sup>3</sup> /h           | 8000 m <sup>3</sup> /h           |
| Sound levels at 1m                    | 50,3 dB(A)                       | 50,3 dB(A)                       | 53,4 dB(A)                       | 53,4 dB(A)                       |

\* According to NFC 15-100; UTE 15-105.

### A1.2 - Performances

| 155020 / 155060<br>HTi <sup>70</sup> 11kW | Outdoor air<br>temp | Water temperature |       |       |       |
|---|---------------------|-------------------|-------|-------|-------|
|   |                     | 30/35             | 40/45 | 47/55 | 55/65 |
| Max heating capacity*                     | 20 °C               | 11,00             | 11,00 | 11,00 | 11,00 |
| Heating capacity nominal**                |                     | 5,80              | 5,82  | 5,83  | 5,78  |
| Nominal COP                               |                     | 6,41              | 4,97  | 3,93  | 3,01  |
| Max heating capacity*                     | 15 °C               | 11,00             | 11,00 | 11,00 | 11,00 |
| Heating capacity nominal**                |                     | 6,00              | 6,02  | 6,01  | 5,98  |
| Nominal COP                               |                     | 6,32              | 4,81  | 3,72  | 2,94  |
| Max heating capacity*                     | 12 °C               | 11,00             | 11,00 | 11,00 | 11,00 |
| Heating capacity nominal**                |                     | 6,31              | 6,41  | 6,43  | 6,41  |
| Nominal COP                               |                     | 6,18              | 4,68  | 3,65  | 2,88  |
| Max heating capacity*                     | 7 °C                | 11,00             | 11,00 | 11,00 | 11,00 |
| Heating capacity nominal**                |                     | 8,95              | 8,97  | 8,96  | 8,97  |
| Nominal COP                               |                     | 5,00              | 3,88  | 3,17  | 2,59  |
| Max heating capacity*                     | 2 °C                | 11,00             | 11,00 | 11,00 | 11,00 |
| Heating capacity nominal**                |                     | 9,19              | 9,29  | 9,48  | 9,20  |
| Nominal COP                               |                     | 3,70              | 2,94  | 2,49  | 2,05  |
| Max heating capacity*                     | -7 °C               | 11,00             | 11,00 | 11,00 | 11,00 |
| Heating capacity nominal**                |                     | 10,16             | 10,16 | 10,19 | 9,91  |
| Nominal COP                               |                     | 2,90              | 2,43  | 2,22  | 1,91  |
| Max heating capacity*                     | -10 °C              | 11,00             | 11,00 | 11,00 | 10,00 |
| Heating capacity nominal**                |                     | 10,56             | 10,42 | 10,69 | 9,51  |
| Nominal COP                               |                     | 2,63              | 2,27  | 2,09  | 1,81  |
| Max heating capacity*                     | -15 °C              | 10,70             | 10,00 | 9,45  | 8,95  |
| Heating capacity nominal**                |                     | 7,94              | 7,36  | 7,05  | 6,94  |
| Nominal COP                               |                     | 2,46              | 2,26  | 1,96  | 1,76  |
| Max heating capacity*                     | -20 °C              | 9,05              | 8,70  | 7,70  | -     |
| Heating capacity nominal**                |                     | 6,41              | 5,82  | 5,33  | -     |
| Nominal COP                               |                     | 2,19              | 1,99  | 1,71  | -     |

| 155030 / 155070<br>HTi <sup>70</sup> 14kW | Outdoor air<br>temp | Water temperature |       |       |       |
|---|---------------------|-------------------|-------|-------|-------|
|   |                     | 30/35             | 40/45 | 47/55 | 55/65 |
| Max heating capacity*                     | 20 °C               | 14,00             | 14,00 | 14,00 | 14,00 |
| Heating capacity nominal**                |                     | 7,45              | 7,44  | 7,43  | 7,42  |
| Nominal COP                               |                     | 6,36              | 4,67  | 3,96  | 3,21  |
| Max heating capacity*                     | 15 °C               | 14,00             | 14,00 | 14,00 | 14,00 |
| Heating capacity nominal**                |                     | 7,95              | 7,96  | 7,94  | 7,93  |
| Nominal COP                               |                     | 6,34              | 4,61  | 3,72  | 3,18  |
| Max heating capacity*                     | 12 °C               | 14,00             | 14,00 | 14,00 | 14,00 |
| Heating capacity nominal**                |                     | 8,04              | 8,06  | 8,39  | 8,44  |
| Nominal COP                               |                     | 5,92              | 4,50  | 3,67  | 3,03  |
| Max heating capacity*                     | 7 °C                | 14,00             | 14,00 | 14,00 | 14,00 |
| Heating capacity nominal**                |                     | 10,76             | 10,86 | 10,97 | 10,82 |
| Nominal COP                               |                     | 4,79              | 3,76  | 3,11  | 2,60  |
| Max heating capacity*                     | 2 °C                | 14,00             | 14,00 | 14,00 | 14,00 |
| Heating capacity nominal**                |                     | 11,03             | 10,93 | 11,48 | 10,75 |
| Nominal COP                               |                     | 3,43              | 2,83  | 2,53  | 2,13  |
| Max heating capacity*                     | -7 °C               | 14,00             | 14,00 | 13,50 | 12,75 |
| Heating capacity nominal**                |                     | 11,31             | 11,77 | 11,40 | 11,79 |
| Nominal COP                               |                     | 2,64              | 2,43  | 2,07  | 1,89  |
| Max heating capacity*                     | -10 °C              | 13,00             | 12,50 | 12,30 | 11,00 |
| Heating capacity nominal**                |                     | 12,76             | 12,10 | 12,20 | 10,67 |
| Nominal COP                               |                     | 2,61              | 2,16  | 1,90  | 1,74  |
| Max heating capacity*                     | -15 °C              | 10,90             | 10,20 | 9,65  | 9,05  |
| Heating capacity nominal**                |                     | 8,31              | 7,88  | 7,62  | 7,20  |
| Nominal COP                               |                     | 2,41              | 2,24  | 1,93  | 1,76  |
| Max heating capacity*                     | -20 °C              | 9,35              | 9,00  | 8,00  | -     |
| Heating capacity nominal**                |                     | 7,10              | 6,12  | 5,69  | -     |
| Nominal COP                               |                     | 2,18              | 1,98  | 1,74  | -     |

\* Max heating capacity without de-icing.  
\*\*According to NF EN 14511.

## A2 - EU declaration

This device complies with international electrical safety standards IEC 60335-1, IEC 60335-2-40. The CE marking present on the device attests to its conformity with the following Community Directives, of which it meets the essential requirements:

- Low Voltage Directive (LV): 2014/35/EU.
- Electromagnetic Compatibility Directive: (EMC): 2014/30/EU.
- Ecoconception Directive for Energy-related products: 2009/125/EC.
- Limiting Hazardous Substances (ROHS): 2011/65/EU.

## A3 - Frost protection

In cases where the HRC<sup>70</sup> Heat Pump cannot operate (exterior temperature is outside of the operating range), and a back-up is authorised (boiler or electrical), it will automatically be protected from frost or ice as the circulator pump will operate and draw heat from the heating circuit which has its temperature maintained by the HRC<sup>70</sup> Pilot's electrical back-up or back-up boiler.

The water temperature remains over 5°C.

In all cases the piping must be properly insulated.

Underground piping should be installed within protective guttering.

However, in the case of installation without a back-up, or if the HRC<sup>70</sup> Pilot or HRC<sup>70</sup> Heat Pump is being switched off during the winter months (ex. accidental stop, secondary residence, etc...), an additional anti-freeze protection is necessary.

Apply glycol to the heating circuit (with a minimum concentration of 25% glycol) or make sure to have hydraulic circuit draining measures in place for the HRC<sup>70</sup> Heat Pump and its accessories (described below).



**Do not use mono-ethylene glycol (toxic product)**

Choose the % of glycol based on the minimum exterior temperature to protect the water circuit from freezing (the concentration should not be under 25%) :

| Exterior temperature (°C) | -10 | -15 | -20 | -25 |
|---------------------------|-----|-----|-----|-----|
| % of glycol needed        | 25  | 30  | 35  | 40  |



**When using a concentrated product which needs to be diluted with water, mix the water+anti-freeze+inhibitor mixture together prior to inserting it into the installation.**

### RENDERING THE WARRANTY NULL AND VOID



**All deterioration of the appliance due to an inappropriate quality of water and / or the presence of corrosion in the absence of treatment products as described above, and / or an improper purging of air of the installation will render the warranty to be null and void.**



**Regularly check the pH level and % of glycol in the installation.**

- **Never top-up the glycol in your installation without measuring the pH to check that the drop in glycol % is not due to a deterioration of the glycol.**
- **When the pH is acidic (<7) replace all of the glycol after having already drained and rinsed the installation.**

## A4 - Treatment of the water in the heating circuit



**It is MANDATORY to read the additional document concerning the quality of water used for filling the installation. This document is included with this manual as well as in the packet with the warranty information.**

**This document also contains information which is PERTINENT to the WARRANTY of the material.**

### A4.1 - Preparing the hydraulic circuit (rinsing)

Before installing the Pilot and the HTi Heat Pump, it is necessary to rinse the installation with an appropriate product.

This permits the elimination of all traces left from soldering, soldering fluxes, grout, grease, sludge, metallic particles, etc...in radiators, underfloor heating, etc...

This prevents any of the abovementioned waste from getting into the HTi Heat Pump heat exchanger, or from obstructing the filter installed on the incoming water inlet.

### A4.2 - Filling water

The materials used for producing a heating circuit are of different natures. Instances of corrosion may occur through galvanic coupling in both new and existing installations.

The filling of the heating circuit must be done only with untreated water (no water softener) from the drinking water network. **Filling with water from any other source (well water, rain water etc...) will render the warranty null and void.**

### A4.3 - Treatment of the heating circuit



Central heating installations must be cleaned in order to eliminate debris (copper, filings, soldering waste) related to the set-up of the installation or from chemical reactions between the metals.

Futhermore, it is important to **protect the central heating installations from risks of corrosion, limescale, and microbiological development** through use of a corrosion inhibitor which is suitable for all kinds of installations (steel or cast-iron radiators, PEX underfloor heating).



**PRODUCTS USED FOR THE TREATMENT OF HEATING WATER MUST BE APPROVED BY THE LOCAL OR NATIONAL PUBLIC HYGIENE AND HEALTH AUTHORITY.**

We recommend the use of products in the SENTINEL range for preventative and curative treatment of the heating circuit.

• For new installations : (less than 6 months old):

- Clean the installation with a universal cleaner to eliminate the debris from the installation (copper, fibres, soldering fluxes) Example : SENTINEL X300 or SENTINEL X800.
- Thoroughly rinse the installation until the water runs clear, with no traces of impurities left.

- Protect the installation against corrosion with a corrosion inhibitor, example: SENTINEL X100. Or against corrosion and freezing with an inhibitor with an anti-freeze additive. Example : SENTINEL X500 or SENTINEL R600.

• **For existing installations:**

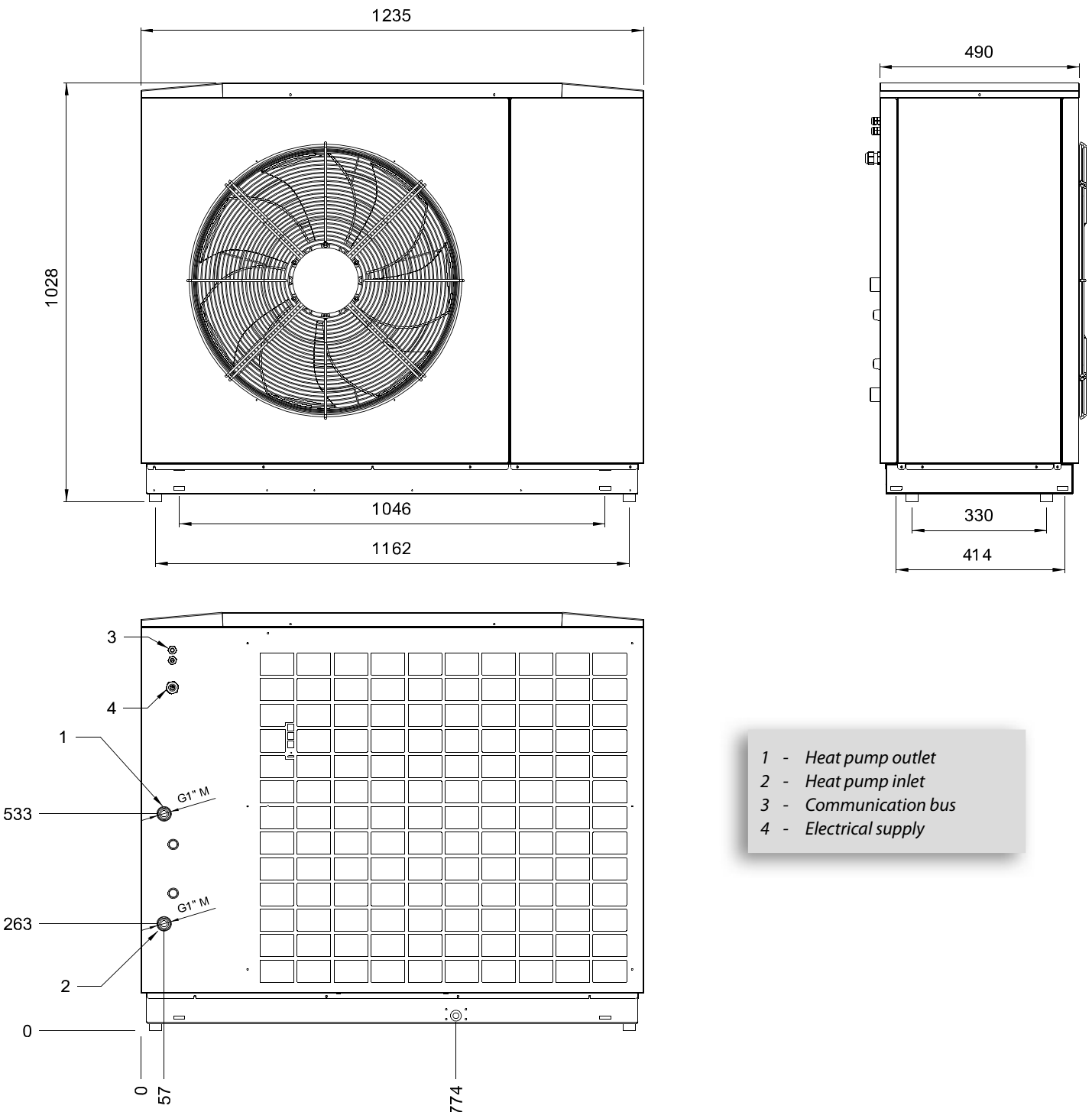
- Desludge the installation with a desludging product to eliminate any sludge from the installation. Example : SENTINEL X400 ou SENTINEL X800.
- Thoroughly rinse the installation until the water runs clear, with no traces of impurities left.
- Protect the installation against corrosion with a corrosion inhibitor, example: SENTINEL X100. Or against corrosion and freezing with an inhibitor with an anti-freeze additive. Example : SENTINEL X500 or SENTINEL R600.

**Corrosion inhibitor :**

- protects against the formation of limescale
- prevents «pinhole» type corrosion
- prevents, in new installations, the formation of sludge and the proliferation of bacteria (in low temperature networks: algae)
- prevents the formation of hydrogen
- eliminates the sound of the generators

Treatment products from other manufacturers can be used if they guarantee that the product is appropriate for all the materials used in the appliance and offers efficient resistance to corrosion. To find this information refer to their user manual.

**A5 - Dimensions**



- 1 - Heat pump outlet
- 2 - Heat pump inlet
- 3 - Communication bus
- 4 - Electrical supply

# A6 - Product technical information sheet

## A6.1 - HTi<sup>70</sup> 11 kW single-phase Heat pump

Compliant with EU regulation n°811/2013

### Fiche d'information technique produit (conformement au règlement UE n°811/2013, 813/2013)

Product data sheet (in accordance with EU regulation n°. 811/2013, 813/2013)

| Marque / Brand name  |                  | AUER   |                       |       |
|--|------------------|--|-----------------------|-------|
| Modèle / Model   |                  | HTi <sup>70</sup> 11 mono  |                       |       |
| Pompe à chaleur air-eau<br><i>Air-to-water heat pump</i>   | oui<br>yes       | Pompe à chaleur basse température<br><i>Low-temperature heat pump</i>                    | non<br>no             |       |
| Pompe à chaleur eau-eau<br><i>Water-to-water heat pump</i>   | non<br>no        | Equippée d'un dispositif d'appoint<br><i>Equipped with a supplementary heater</i>        | oui<br>yes            |       |
| Pompe à chaleur eau glycolée-eau<br><i>Brine-to-water heat pump</i>  | non<br>no        | Dispositif de chauffage mixte par pompe à chaleur<br><i>Heat pump combination heater</i> | non<br>no             |       |
| Caractéristique / Item   | Symbole          | Unité  | 35°C                  | 55°C  |
| <b>Classe d'efficacité énergétique chauffage / Heating seasonal energy efficiency class</b>  |                  |  |                       |       |
| <b>Puissance de chauffage nominale / Nominal heat output (*1)</b>  | Prated           | kW   | 11                    | 10    |
| <b>Puissance de chauffage nominale / Nominal heat output (*2)</b>  | Prated           | kW   | 15                    | 16    |
| <b>Puissance de chauffage nominale / Nominal heat output (*3)</b>  | Prated           | kW   | 6                     | 6     |
| Puissance calorifique déclarée à charge partielle pour une température intérieure de 20°C, une température extérieure Tj avec application basse et moyenne température (35°C / 55°C) et les conditions climatiques moyennes.<br><i>Declared capacity for part load at indoor temperature 20°C, outdoor temperature Tj, low and medium temperature application (35°C / 55°C) and average climate</i>                |                  |  |                       |       |
| Tj = -7°C  | Pdh              | kW   | 9,5                   | 9,3   |
| Tj = +2°C  | Pdh              | kW   | 5,7                   | 5,7   |
| Tj = +7°C  | Pdh              | kW   | 3,7                   | 3,9   |
| Tj = +12°C   | Pdh              | kW   | 3,4                   | 3,4   |
| Tj = température bivalente / Tj = Bivalence temperature  | Pdh              | kW   | 8,5                   | 8,4   |
| Tj = température limite fonctionnement / Tj = Operating limit temperature  | Pdh              | kW   | 7,1                   | 7,0   |
| Tj = -15°C   | Pdh              | kW   | 8,2                   | 8,1   |
| Température bivalente / Bivalence temperature  | Tbiv             | °C   | -5                    |       |
| Puissance calorifique sur intervalle cyclique / Output for cyclical interval heating mode  | Pcyc             | kW   | -                     |       |
| Coefficient de dégradation / Degradation coefficient   | Cdh              | -  | 0,9                   |       |
| <b>Efficacité énergétique saisonnière / Seasonal energy efficiency (*1)</b>  | ηs               | %  | 186                   | 144   |
| <b>Efficacité énergétique saisonnière / Seasonal energy efficiency (*2)</b>  | ηs               | %  | 137                   | 106   |
| <b>Efficacité énergétique saisonnière / Seasonal energy efficiency (*3)</b>  | ηs               | %  | 269                   | 217   |
| Coefficient de performance déclaré à charge partielle pour une température intérieure de 20°C, une température extérieure Tj avec application basse et moyenne température (35°C / 55°C) et les conditions climatiques moyennes.<br><i>Declared capacity for part load at indoor temperature 20°C, outdoor temperature Tj, low and medium temperature application (35°C / 55°C) and average climate condition.</i> |                  |  |                       |       |
| Tj = -7°C  | COPd             | -  | 2,99                  | 2,29  |
| Tj = +2°C  | COPd             | -  | 4,47                  | 3,49  |
| Tj = +7°C  | COPd             | -  | 6,90                  | 5,29  |
| Tj = +12°C   | COPd             | -  | 9,24                  | 7,66  |
| Tj = température bivalente / Tj = Bivalence temperature  | COPd             | -  | 3,18                  | 2,41  |
| Tj = température limite fonctionnement / Tj = Operating limit value temperature  | COPd             | -  | 2,10                  | 1,70  |
| Tj = -15°C   | COPd             | -  | 2,20                  | 1,80  |
| Température limite de fonctionnement / Operating limit temperature   | TOL              | °C   | -20                   |       |
| Efficacité sur intervalle cyclique / Cycling interval efficiency   | COPcyc           | -  | -                     |       |
| Température maximale eau de chauffage / Max. temperature for the heating water   | WTOL             | °C   | 70                    |       |
| <b>Puissance électrique consommée dans les autres modes que le mode actif / Power consumption in modes other than active mode</b>  |                  |  |                       |       |
| Mode arrêt / OFF mode  | P <sub>OFF</sub> | kW   | 0,005                 |       |
| Mode arrêt thermostat / Thermostat-off mode  | P <sub>TO</sub>  | kW   | 0,014                 |       |
| Mode veille / Standby mode   | P <sub>SB</sub>  | kW   | 0,005                 |       |
| Mode résistance de carter / Crankcase heater mode  | P <sub>CK</sub>  | kW   | 0,014                 |       |
| <b>Dispositif de chauffage d'appoint / Supplementary heater</b>  |                  |  |                       |       |
| Puissance thermique nominale d'appoint / Nominal heat output of supplementary heater   | P <sub>sup</sub> | kW   | 0,3                   | 0,0   |
| Type d'énergie chauffage d'appoint / Type of energy input of supplementary heater  | -                | -  | électrique / electric |       |
| <b>Autres caractéristiques / Other items</b>   |                  |  |                       |       |
| Régulation de la puissance thermique / Heating capacity control  | -                | -  | variable              |       |
| Consommation annuelle d'énergie / Annual energy consumption (*1)   | Q <sub>HE</sub>  | kWh  | 4604                  | 5880  |
| Consommation annuelle d'énergie / Annual energy consumption (*2)   | Q <sub>HE</sub>  | kWh  | 10505                 | 14193 |
| Consommation annuelle d'énergie / Annual energy consumption (*3)   | Q <sub>HE</sub>  | kWh  | 1117                  | 1403  |
| Puissance sonore intérieure - extérieure / Sound power level - indoor - outdoor  | L <sub>WA</sub>  | dB   | - / 51                |       |
| Débit d'air nominal à l'extérieur / Rated Air flow outdoor   | -                | m <sup>3</sup> /h  | 7250                  |       |
| Coordonnées de contact / Contact details   |                  | Auer, rue de la République 80210 Feuquières-en-Vimeu                                     |                       |       |
| Les précautions particulières qui doivent être prises lors du montage, l'installation et l'entretien, sont décrites dans la notice d'installation et d'utilisation. <i>All specific precautions for assembly, installation and maintenance are described in the operating and installation instructions. Read and follow the operating and installation instructions.</i>  |                  |  |                       |       |

(\*1) Conditions climatiques moyennes / Average climatic conditions

(\*2) Conditions climatiques plus froides / Colder climatic conditions

(\*3) Conditions climatiques plus chaudes / Warmer climatic conditions



## A6.2 - HTi<sup>70</sup> 11 kW three-phase Heat pump

Compliant with EU regulation n°811/2013

### Fiche d'information technique produit (conformement au règlement UE n°811/2013, 813/2013)

Product data sheet (in accordance with EU regulation n°. 811/2013, 813/2013)

| Marque / Brand name  |            | AUER   |                   |                       |       |
|--|------------|--|-------------------|-----------------------|-------|
| Modèle / Model   |            | HTi <sup>70</sup> 11 tri   |                   |                       |       |
| Pompe à chaleur air-eau<br><i>Air-to-water heat pump</i>   | oui<br>yes | Pompe à chaleur basse température<br><i>Low-temperature heat pump</i>                    | non<br>no         |                       |       |
| Pompe à chaleur eau-eau<br><i>Water-to-water heat pump</i>   | non<br>no  | Equipée d'un dispositif d'appoint<br><i>Equipped with a supplementary heater</i>         | oui<br>yes        |                       |       |
| Pompe à chaleur eau glycolée-eau<br><i>Brine-to-water heat pump</i>  | non<br>no  | Dispositif de chauffage mixte par pompe à chaleur<br><i>Heat pump combination heater</i> | non<br>no         |                       |       |
| Caractéristique / Item   |            | Symbole  | Unité             | 35°C                  | 55°C  |
| <b>Classe d'efficacité énergétique chauffage / Heating seasonal energy efficiency class</b>  |            |  |                   | A+++                  | A++   |
| <b>Puissance de chauffage nominale / Nominal heat output (*1)</b>  |            | Prated   | kW                | 11                    | 10    |
| <b>Puissance de chauffage nominale / Nominal heat output (*2)</b>  |            | Prated   | kW                | 15                    | 16    |
| <b>Puissance de chauffage nominale / Nominal heat output (*3)</b>  |            | Prated   | kW                | 6                     | 6     |
| Puissance calorifique déclarée à charge partielle pour une température intérieure de 20°C, une température extérieure Tj avec application basse et moyenne température (35°C / 55°C) et les conditions climatiques moyennes.<br><i>Declared capacity for part load at indoor temperature 20°C, outdoor temperature Tj, low and medium temperature application (35°C / 55°C) and average climate</i>                |            |  |                   |                       |       |
| Tj = -7°C  |            | Pdh  | kW                | 9,5                   | 9,3   |
| Tj = +2°C  |            | Pdh  | kW                | 5,7                   | 5,7   |
| Tj = +7°C  |            | Pdh  | kW                | 3,7                   | 3,9   |
| Tj = +12°C   |            | Pdh  | kW                | 3,4                   | 3,4   |
| Tj = température bivalente / Tj = Bivalence temperature  |            | Pdh  | kW                | 8,5                   | 8,4   |
| Tj = température limite fonctionnement / Tj = Operating limit temperature  |            | Pdh  | kW                | 7,1                   | 7,0   |
| Tj = -15°C   |            | Pdh  | kW                | 8,2                   | 8,1   |
| Température bivalente / Bivalence temperature  |            | Tbiv   | °C                | -5                    |       |
| Puissance calorifique sur intervalle cyclique / Output for cyclical interval heating mode  |            | Pcyc   | kW                | -                     |       |
| Coefficient de dégradation / Degradation coefficient   |            | Cdh  | -                 | 0,9                   |       |
| <b>Efficacité énergétique saisonnière / Seasonal energy efficiency (*1)</b>  |            | ηs   | %                 | 185                   | 144   |
| <b>Efficacité énergétique saisonnière / Seasonal energy efficiency (*2)</b>  |            | ηs   | %                 | 137                   | 106   |
| <b>Efficacité énergétique saisonnière / Seasonal energy efficiency (*3)</b>  |            | ηs   | %                 | 268                   | 217   |
| Coefficient de performance déclaré à charge partielle pour une température intérieure de 20°C, une température extérieure Tj avec application basse et moyenne température (35°C / 55°C) et les conditions climatiques moyennes.<br><i>Declared capacity for part load at indoor temperature 20°C, outdoor temperature Tj, low and medium temperature application (35°C / 55°C) and average climate condition.</i> |            |  |                   |                       |       |
| Tj = -7°C  |            | COPd   | -                 | 2,99                  | 2,29  |
| Tj = +2°C  |            | COPd   | -                 | 4,47                  | 3,49  |
| Tj = +7°C  |            | COPd   | -                 | 6,90                  | 5,29  |
| Tj = +12°C   |            | COPd   | -                 | 9,24                  | 7,66  |
| Tj = température bivalente / Tj = Bivalence temperature  |            | COPd   | -                 | 3,18                  | 2,41  |
| Tj = température limite fonctionnement / Tj = Operating limit value temperature  |            | COPd   | -                 | 2,10                  | 1,70  |
| Tj = -15°C   |            | COPd   | -                 | 2,20                  | 1,80  |
| Température limite de fonctionnement / Operating limit temperature   |            | TOL  | °C                | -20                   |       |
| Efficacité sur intervalle cyclique / Cycling interval efficiency   |            | COPcyc   | -                 | -                     |       |
| Température maximale eau de chauffage / Max. temperature for the heating water   |            | WTOL   | °C                | 70                    |       |
| <b>Puissance électrique consommée dans les autres modes que le mode actif / Power consumption in modes other than active mode</b>  |            |  |                   |                       |       |
| Mode arrêt / OFF mode  |            | P <sub>OFF</sub>   | kW                | 0,005                 |       |
| Mode arrêt thermostat / Thermostat-off mode  |            | P <sub>TO</sub>  | kW                | 0,014                 |       |
| Mode veille / Standby mode   |            | P <sub>SB</sub>  | kW                | 0,005                 |       |
| Mode résistance de carter / Crankcase heater mode  |            | P <sub>CK</sub>  | kW                | 0,014                 |       |
| <b>Dispositif de chauffage d'appoint / Supplementary heater</b>  |            |  |                   |                       |       |
| Puissance thermique nominale d'appoint / Nominal heat output of supplementary heater   |            | P <sub>sup</sub>   | kW                | 0,3                   | 0,0   |
| Type d'énergie chauffage d'appoint / Type of energy input of supplementary heater  |            | -  | -                 | électrique / electric |       |
| <b>Autres caractéristiques / Other items</b>   |            |  |                   |                       |       |
| Régulation de la puissance thermique / Heating capacity control  |            | -  | -                 | variable              |       |
| Consommation annuelle d'énergie / Annual energy consumption (*1)   |            | Q <sub>HE</sub>  | kWh               | 4606                  | 5881  |
| Consommation annuelle d'énergie / Annual energy consumption (*2)   |            | Q <sub>HE</sub>  | kWh               | 10506                 | 14194 |
| Consommation annuelle d'énergie / Annual energy consumption (*3)   |            | Q <sub>HE</sub>  | kWh               | 1120                  | 1405  |
| Puissance sonore intérieure - extérieure / Sound power level - indoor - outdoor  |            | L <sub>WA</sub>  | dB                | - / 51                |       |
| Débit d'air nominal à l'extérieur / Rated Air flow outdoor   |            | -  | m <sup>3</sup> /h | 7250                  |       |
| Coordonnées de contact / Contact details   |            | Auer, rue de la République 80210 Feuquières-en-Vimeu                                     |                   |                       |       |
| Les précautions particulières qui doivent être prises lors du montage, l'installation et l'entretien, sont décrites dans la notice d'installation et d'utilisation. <i>All specific precautions for assembly, installation and maintenance are described in the operating and installation instructions. Read and follow the operating and installation instructions.</i>  |            |  |                   |                       |       |

(\*1) Conditions climatiques moyennes / Average climatic conditions

(\*2) Conditions climatiques plus froides / Colder climatic conditions

(\*3) Conditions climatiques plus chaudes / Warmer climatic conditions

## A6.3 - HTi<sup>70</sup> 14 kW single-phase Heat pump

Compliant with EU regulation n°811/2013

### Fiche d'information technique produit (conformement au règlement UE n°811/2013, 813/2013)

Product data sheet (in accordance with EU regulation n°. 811/2013, 813/2013)

| Marque / Brand name   |            | AUER   |                   |                       |       |
|---|------------|--|-------------------|-----------------------|-------|
| Modèle / Model  |            | HTi <sup>70</sup> 14 mono  |                   |                       |       |
| Pompe à chaleur air-eau<br><i>Air-to-water heat pump</i>  | oui<br>yes | Pompe à chaleur basse température<br><i>Low-temperature heat pump</i>                    | non<br>no         |                       |       |
| Pompe à chaleur eau-eau<br><i>Water-to-water heat pump</i>  | non<br>no  | Equipée d'un dispositif d'appoint<br><i>Equipped with a supplementary heater</i>         | oui<br>yes        |                       |       |
| Pompe à chaleur eau glycolée-eau<br><i>Brine-to-water heat pump</i>   | non<br>no  | Dispositif de chauffage mixte par pompe à chaleur<br><i>Heat pump combination heater</i> | non<br>no         |                       |       |
| Caractéristique / Item  |            | Symbole  | Unité             | 35°C                  | 55°C  |
| <b>Classe d'efficacité énergétique chauffage / Heating seasonal energy efficiency class</b>   |            |  |                   | A+++                  | A++   |
| <b>Puissance de chauffage nominale / Nominal heat output (*1)</b>   |            | Prated   | kW                | 14                    | 13    |
| <b>Puissance de chauffage nominale / Nominal heat output (*2)</b>   |            | Prated   | kW                | 16                    | 16    |
| <b>Puissance de chauffage nominale / Nominal heat output (*3)</b>   |            | Prated   | kW                | 8                     | 8     |
| Puissance calorifique déclarée à charge partielle pour une température intérieure de 20°C, une température extérieure Tj avec application basse et moyenne température (35°C / 55°C) et les conditions climatiques moyennes.<br><i>Declared capacity for part load at indoor temperature 20°C, outdoor temperature Tj, low and medium temperature application (35°C / 55°C) and average climate</i>               |            |  |                   |                       |       |
| Tj = -7°C   |            | Pdh  | kW                | 11,3                  | 11,0  |
| Tj = +2°C   |            | Pdh  | kW                | 7,9                   | 8,2   |
| Tj = +7°C   |            | Pdh  | kW                | 4,8                   | 4,6   |
| Tj = +12°C  |            | Pdh  | kW                | 3,4                   | 3,3   |
| Tj = température bivalente / Tj = Bivalence temperature   |            | Pdh  | kW                | 11,2                  | 10,5  |
| Tj = température limite fonctionnement / Tj = Operating limit temperature   |            | Pdh  | kW                | 7,9                   | 7,8   |
| Tj = -15°C  |            | Pdh  | kW                | 8,5                   | 8,4   |
| Température bivalente / Bivalence temperature   |            | Tbiv   | °C                | -5                    |       |
| Puissance calorifique sur intervalle cyclique / Output for cyclical interval heating mode   |            | Pcyc   | kW                | -                     |       |
| Coefficient de dégradation / Degradation coefficient  |            | Cdh  | -                 | 0,9                   |       |
| <b>Efficacité énergétique saisonnière / Seasonal energy efficiency (*1)</b>   |            | ηs   | %                 | 175                   | 143   |
| <b>Efficacité énergétique saisonnière / Seasonal energy efficiency (*2)</b>   |            | ηs   | %                 | 131                   | 107   |
| <b>Efficacité énergétique saisonnière / Seasonal energy efficiency (*3)</b>   |            | ηs   | %                 | 259                   | 199   |
| Coefficient de performance déclaré à charge partielle pour une température intérieure de 20°C, une température extérieure Tj avec application basse et moyenne température (35°C / 55°C) et les conditions climatiques moyennes<br><i>Declared capacity for part load at indoor temperature 20°C, outdoor temperature Tj, low and medium temperature application (35°C / 55°C) and average climate condition.</i> |            |  |                   |                       |       |
| Tj = -7°C   |            | COPd   | -                 | 2,88                  | 2,28  |
| Tj = +2°C   |            | COPd   | -                 | 4,12                  | 3,68  |
| Tj = +7°C   |            | COPd   | -                 | 4,79                  | 4,64  |
| Tj = +12°C  |            | COPd   | -                 | 9,26                  | 7,11  |
| Tj = température bivalente / Tj = Bivalence temperature   |            | COPd   | -                 | 3,34                  | 2,39  |
| Tj = température limite fonctionnement / Tj = Operating limit value temperature   |            | COPd   | -                 | 2,08                  | 1,70  |
| Tj = -15°C  |            | COPd   | -                 | 2,19                  | 1,80  |
| Température limite de fonctionnement / Operating limit temperature  |            | TOL  | °C                | -20                   |       |
| Efficacité sur intervalle cyclique / Cycling interval efficiency  |            | COPcyc   | -                 | -                     |       |
| Température maximale eau de chauffage / Max. temperature for the heating water  |            | WTOL   | °C                | 70                    |       |
| <b>Puissance électrique consommée dans les autres modes que le mode actif / Power consumption in modes other than active mode</b>   |            |  |                   |                       |       |
| Mode arrêt / OFF mode   |            | P <sub>OFF</sub>   | kW                | 0,005                 |       |
| Mode arrêt thermostat / Thermostat-off mode   |            | P <sub>TO</sub>  | kW                | 0,014                 |       |
| Mode veille / Standby mode  |            | P <sub>SB</sub>  | kW                | 0,005                 |       |
| Mode résistance de carter / Crankcase heater mode   |            | P <sub>CK</sub>  | kW                | 0,014                 |       |
| <b>Dispositif de chauffage d'appoint / Supplementary heater</b>   |            |  |                   |                       |       |
| Puissance thermique nominale d'appoint / Nominal heat output of supplementary heater  |            | P <sub>sup</sub>   | kW                | 3,0                   | 2,3   |
| Type d'énergie chauffage d'appoint / Type of energy input of supplementary heater   |            | -  | -                 | électrique / electric |       |
| <b>Autres caractéristiques / Other items</b>  |            |  |                   |                       |       |
| Régulation de la puissance thermique / Heating capacity control   |            | -  | -                 | variable              |       |
| Consommation annuelle d'énergie / Annual energy consumption (*1)  |            | Q <sub>HE</sub>  | kWh               | 6435                  | 7403  |
| Consommation annuelle d'énergie / Annual energy consumption (*2)  |            | Q <sub>HE</sub>  | kWh               | 11634                 | 14048 |
| Consommation annuelle d'énergie / Annual energy consumption (*3)  |            | Q <sub>HE</sub>  | kWh               | 1576                  | 2091  |
| Puissance sonore intérieure - extérieure / Sound power level - indoor - outdoor   |            | L <sub>WA</sub>  | dB                | - / 58                |       |
| Débit d'air nominal à l'extérieur / Rated Air flow outdoor  |            | -  | m <sup>3</sup> /h | 8000                  |       |
| Coordonnées de contact / Contact details  |            | Auer, rue de la République 80210 Feuquières-en-Vimeu                                     |                   |                       |       |
| Les précautions particulières qui doivent être prises lors du montage, l'installation et l'entretien, sont décrites dans la notice d'installation et d'utilisation. All specific precautions for assembly, installation and maintenance are described in the operating and installation instructions. Read and follow the operating and installation instructions.  |            |  |                   |                       |       |

(\*1) Conditions climatiques moyennes / Average climatic conditions

(\*2) Conditions climatiques plus froides / Colder climatic conditions

(\*3) Conditions climatiques plus chaudes / Warmer climatic conditions

## A6.4 - HTi<sup>70</sup> 14 kW three-phase Heat pump

Compliant with EU regulation n°811/2013

### Fiche d'information technique produit (conformément au règlement UE n°811/2013, 813/2013)

Product data sheet (in accordance with EU regulation n°. 811/2013, 813/2013)

| Marque / Brand name   |            | AUER   |                   |                       |       |
|---|------------|--|-------------------|-----------------------|-------|
| Modèle / Model  |            | HTi <sup>70</sup> 14 tri   |                   |                       |       |
| Pompe à chaleur air-eau<br><i>Air-to-water heat pump</i>  | oui<br>yes | Pompe à chaleur basse température<br><i>Low-temperature heat pump</i>                    | non<br>no         |                       |       |
| Pompe à chaleur eau-eau<br><i>Water-to-water heat pump</i>  | non<br>no  | Equipée d'un dispositif d'appoint<br><i>Equipped with a supplementary heater</i>         | oui<br>yes        |                       |       |
| Pompe à chaleur eau glycolée-eau<br><i>Brine-to-water heat pump</i>   | non<br>no  | Dispositif de chauffage mixte par pompe à chaleur<br><i>Heat pump combination heater</i> | non<br>no         |                       |       |
| Caractéristique / Item  |            | Symbole  | Unité             | 35°C                  | 55°C  |
| <b>Classe d'efficacité énergétique chauffage / Heating seasonal energy efficiency class</b>   |            |  |                   | A+++                  | A++   |
| <b>Puissance de chauffage nominale / Nominal heat output (*1)</b>   |            | Prated   | kW                | 14                    | 13    |
| <b>Puissance de chauffage nominale / Nominal heat output (*2)</b>   |            | Prated   | kW                | 16                    | 16    |
| <b>Puissance de chauffage nominale / Nominal heat output (*3)</b>   |            | Prated   | kW                | 8                     | 8     |
| Puissance calorifique déclarée à charge partielle pour une température intérieure de 20°C, une température extérieure Tj avec application basse et moyenne température (35°C / 55°C) et les conditions climatiques moyennes.<br><i>Declared capacity for part load at indoor temperature 20°C, outdoor temperature Tj, low and medium temperature application (35°C / 55°C) and average climate</i>               |            |  |                   |                       |       |
| Tj = -7°C   |            | Pdh  | kW                | 11,3                  | 11,0  |
| Tj = +2°C   |            | Pdh  | kW                | 7,9                   | 8,2   |
| Tj = +7°C   |            | Pdh  | kW                | 4,8                   | 4,6   |
| Tj = +12°C  |            | Pdh  | kW                | 3,4                   | 3,3   |
| Tj = température bivalente / Tj = Bivalence temperature   |            | Pdh  | kW                | 11,2                  | 10,5  |
| Tj = température limite fonctionnement / Tj = Operating limit temperature   |            | Pdh  | kW                | 7,9                   | 7,8   |
| Tj = -15°C  |            | Pdh  | kW                | 8,5                   | 8,4   |
| Température bivalente / Bivalence temperature   |            | Tbiv   | °C                | -5                    |       |
| Puissance calorifique sur intervalle cyclique / Output for cyclical interval heating mode   |            | Pcyc   | kW                | -                     |       |
| Coefficient de dégradation / Degradation coefficient  |            | Cdh  | -                 | 0,9                   |       |
| <b>Efficacité énergétique saisonnière / Seasonal energy efficiency (*1)</b>   |            | η <sub>s</sub>   | %                 | 175                   | 143   |
| <b>Efficacité énergétique saisonnière / Seasonal energy efficiency (*2)</b>   |            | η <sub>s</sub>   | %                 | 131                   | 107   |
| <b>Efficacité énergétique saisonnière / Seasonal energy efficiency (*3)</b>   |            | η <sub>s</sub>   | %                 | 261                   | 199   |
| Coefficient de performance déclaré à charge partielle pour une température intérieure de 20°C, une température extérieure Tj avec application basse et moyenne température (35°C / 55°C) et les conditions climatiques moyennes<br><i>Declared capacity for part load at indoor temperature 20°C, outdoor temperature Tj, low and medium temperature application (35°C / 55°C) and average climate condition.</i> |            |  |                   |                       |       |
| Tj = -7°C   |            | COPd   | -                 | 2,88                  | 2,28  |
| Tj = +2°C   |            | COPd   | -                 | 4,12                  | 3,68  |
| Tj = +7°C   |            | COPd   | -                 | 4,79                  | 4,64  |
| Tj = +12°C  |            | COPd   | -                 | 9,26                  | 7,11  |
| Tj = température bivalente / Tj = Bivalence temperature   |            | COPd   | -                 | 3,34                  | 2,39  |
| Tj = température limite fonctionnement / Tj = Operating limit value temperature   |            | COPd   | -                 | 2,08                  | 1,70  |
| Tj = -15°C  |            | COPd   | -                 | 2,19                  | 1,80  |
| Température limite de fonctionnement / Operating limit temperature  |            | TOL  | °C                | -20                   |       |
| Efficacité sur intervalle cyclique / Cycling interval efficiency  |            | COPcyc   | -                 | -                     |       |
| Température maximale eau de chauffage / Max. temperature for the heating water  |            | WTOL   | °C                | 70                    |       |
| <b>Puissance électrique consommée dans les autres modes que le mode actif / Power consumption in modes other than active mode</b>   |            |  |                   |                       |       |
| Mode arrêt / OFF mode   |            | P <sub>OFF</sub>   | kW                | 0,005                 |       |
| Mode arrêt thermostat / Thermostat-off mode   |            | P <sub>TO</sub>  | kW                | 0,014                 |       |
| Mode veille / Standby mode  |            | P <sub>SB</sub>  | kW                | 0,005                 |       |
| Mode résistance de carter / Crankcase heater mode   |            | P <sub>CK</sub>  | kW                | 0,014                 |       |
| <b>Dispositif de chauffage d'appoint / Supplementary heater</b>   |            |  |                   |                       |       |
| Puissance thermique nominale d'appoint / Nominal heat output of supplementary heater  |            | P <sub>sup</sub>   | kW                | 3,0                   | 2,3   |
| Type d'énergie chauffage d'appoint / Type of energy input of supplementary heater   |            | -  | -                 | électrique / electric |       |
| <b>Autres caractéristiques / Other items</b>  |            |  |                   |                       |       |
| Régulation de la puissance thermique / Heating capacity control   |            | -  | -                 | variable              |       |
| Consommation annuelle d'énergie / Annual energy consumption (*1)  |            | Q <sub>HE</sub>  | kWh               | 6416                  | 7404  |
| Consommation annuelle d'énergie / Annual energy consumption (*2)  |            | Q <sub>HE</sub>  | kWh               | 11636                 | 14049 |
| Consommation annuelle d'énergie / Annual energy consumption (*3)  |            | Q <sub>HE</sub>  | kWh               | 1572                  | 2093  |
| Puissance sonore intérieure - extérieure / Sound power level - indoor - outdoor   |            | L <sub>WA</sub>  | dB                | - / 58                |       |
| Débit d'air nominal à l'extérieur / Rated Air flow outdoor  |            | -  | m <sup>3</sup> /h | 8000                  |       |
| Coordonnées de contact / Contact details  |            | Auer, rue de la République 80210 Feuquières-en-Vimeu                                     |                   |                       |       |
| Les précautions particulières qui doivent être prises lors du montage, l'installation et l'entretien, sont décrites dans la notice d'installation et d'utilisation. <i>All specific precautions for assembly, installation and maintenance are described in the operating and installation instructions. Read and follow the operating and installation instructions.</i>   |            |  |                   |                       |       |

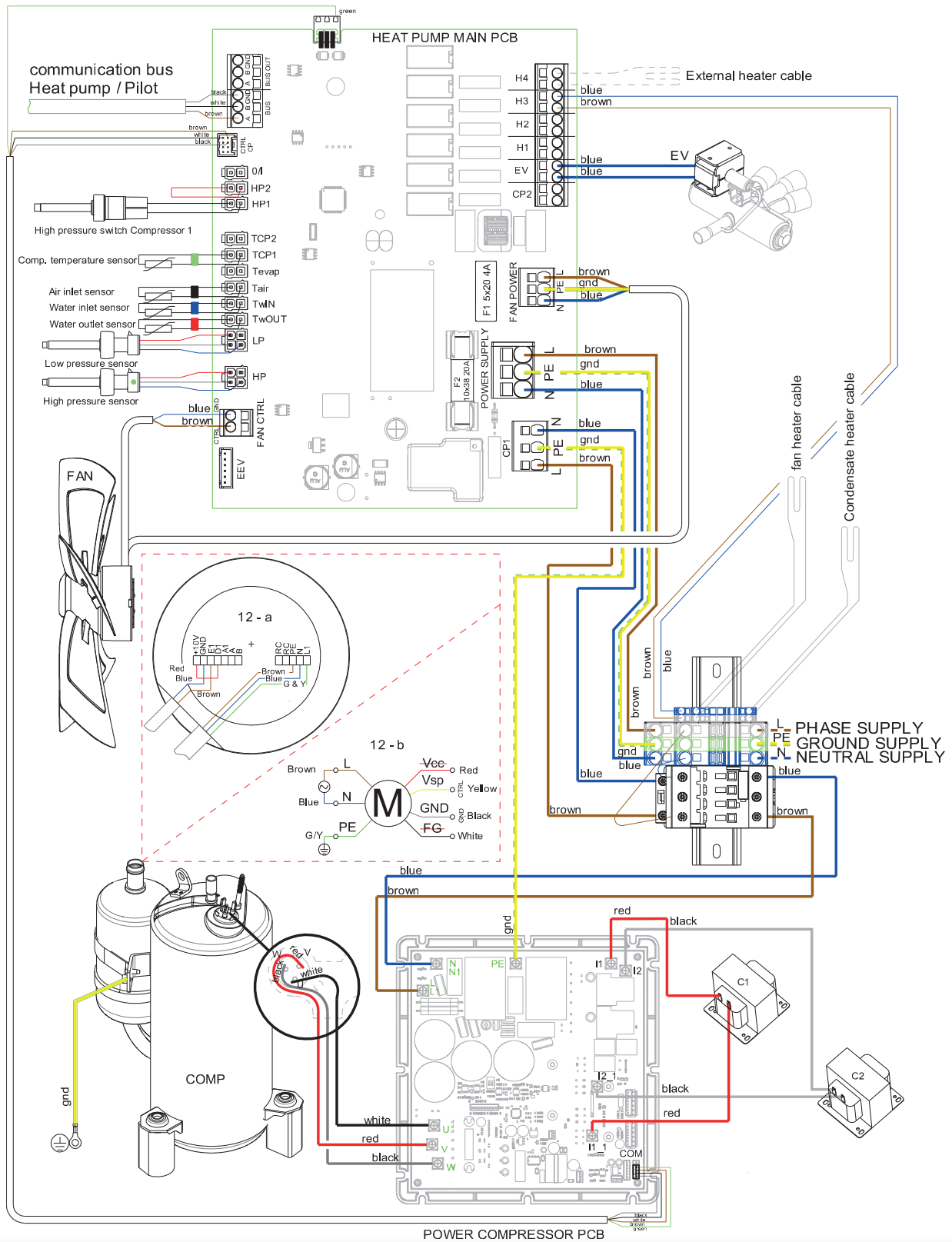
(\*1) Conditions climatiques moyennes / Average climatic conditions

(\*2) Conditions climatiques plus froides / Colder climatic conditions

(\*3) Conditions climatiques plus chaudes / Warmer climatic conditions

# A7 - Internal wiring diagram

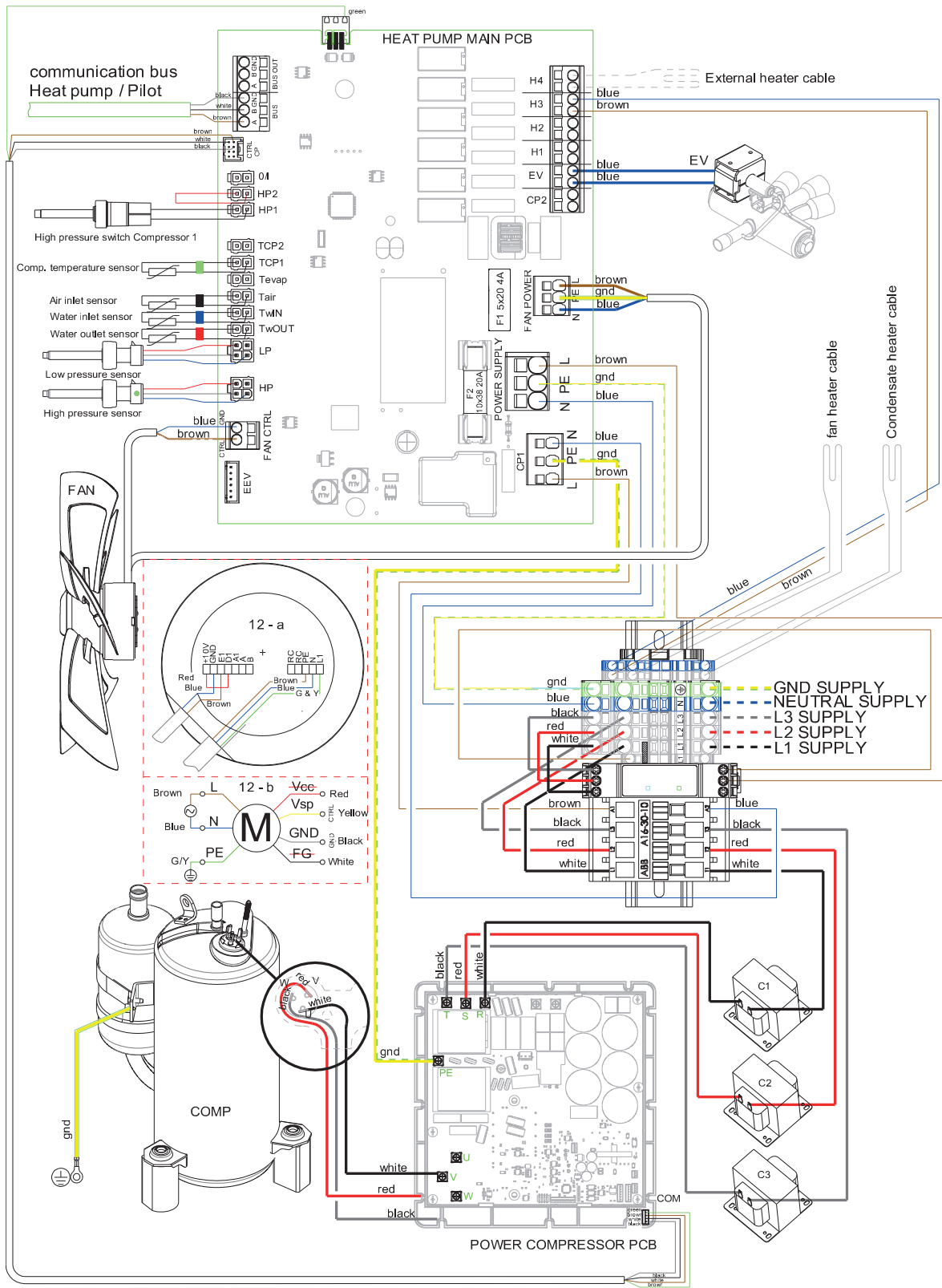
## A7.1 - HTi<sup>70</sup> 11 & 14 kW single-phase Heat pump



- TwOUT* - Water outlet temperature sensor
- TwIN* - Water inlet temperature sensor
- Tévap* - Condenser outlet temperature sensor
- Tair* - Air intake temperature sensor
- TCP1* - Compressor 1 temperature sensor
- HP* - High pressure sensor
- LP* - Low pressure sensor

- HP1* - Compressor 1 high pressure switch
- F1* - Fuse 5x20 4A
- F2* - Fuse 10x38 20A
- VENT* - Ventilator
- EV* - Defrosting solenoid valve
- CC* - Condensate drain pan defrost heating cord

## A7.2 - HTi<sup>70</sup> 11 & 14 kW three-phase Heat pump



TwOUT - Water outlet temperature sensor  
 TwIN - Water inlet temperature sensor  
 Tévap - Condenser outlet temperature sensor  
 Tair - Air intake temperature sensor  
 TCP1 - Compressor 1 temperature sensor  
 HP - High pressure sensor  
 LP - Low pressure sensor

HP1 - Compressor 1 high pressure switch  
 F1 - Fuse 5x20 4A  
 F2 - Fuse 10x38 20A  
 VENT - Ventilator  
 EV - Defrosting solenoid valve  
 CC - Condensate drain pan defrost heating cord

# NOTES / MAINTENANCE

| Date | Technician | Work carried out | Refrigerant collected<br>Refrigerant loaded |
|------|------------|------------------|---|
|      |            |                  |   |
|      |            |                  |   |
|      |            |                  |   |
|      |            |                  |   |
|      |            |                  |   |
|      |            |                  |   |
|      |            |                  |   |
|      |            |                  |   |
|      |            |                  |   |
|      |            |                  |   |
|      |            |                  |   |
|      |            |                  |   |
|      |            |                  |   |
|      |            |                  |   |
|      |            |                  |   |
|      |            |                  |   |
|      |            |                  |   |
|      |            |                  |   |
|      |            |                  |   |
|      |            |                  |   |
|      |            |                  |   |

# ***NOTES / MAINTENANCE***

| Date | Technician | Work carried out | Refrigerant collected<br>Refrigerant loaded |
|------|------------|------------------|---|
|      |            |                  |   |
|      |            |                  |   |
|      |            |                  |   |
|      |            |                  |   |
|      |            |                  |   |
|      |            |                  |   |
|      |            |                  |   |
|      |            |                  |   |
|      |            |                  |   |
|      |            |                  |   |
|      |            |                  |   |
|      |            |                  |   |
|      |            |                  |   |
|      |            |                  |   |
|      |            |                  |   |
|      |            |                  |   |
|      |            |                  |   |
|      |            |                  |   |
|      |            |                  |   |
|      |            |                  |   |
|      |            |                  |   |
|      |            |                  |   |
|      |            |                  |   |
|      |            |                  |   |
|      |            |                  |   |
|      |            |                  |   |
|      |            |                  |   |



[www.auer.fr](http://www.auer.fr)

**Industrial and Development site**

Rue de la République  
CS 40029  
80210 Feuquières-en-Vimeu

---

**Spare Parts Department**

Tel. : 03 22 61 21 21  
Fax : 03 22 61 33 35  
E-mail : [pieces@auer.fr](mailto:pieces@auer.fr)

---

**Technical Assistance Department\***

E-mail : [enr@auer.fr](mailto:enr@auer.fr)

*\*Technical assistance is reserved for professionals*