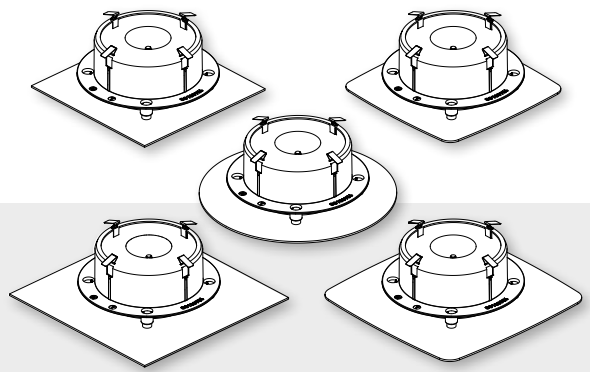


# TECHNICAL DATA SHEET

## DucoVent Design



An aesthetic exhaust vent with three cover plates available: square (with our without rounded corners) or fully circular. The smooth design, combined with simple installation thanks to the magnetic strips used, ensures virtually invisible integration in any room where air extraction is specified.

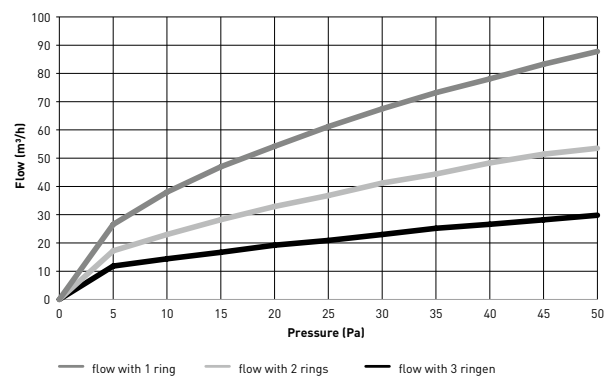
### Physical characteristics

<b>Part number</b>	4179: Square Standard 4226: Square XL 4210: Circular 4211: Rounded square Standard 4227: Rounded square XL
<b>Weight (g)</b>	Standard: 362 XL: 419 381 Standard: 356 XL: 413
<b>Material</b>	Steel Plastic / PVC Aluminium (Al Mg Si 0.5) Flaked foam D100
<b>Colour</b>	White (RAL 9010 structure (AE03059901020)) Other RAL colours on demand
<b>Surface treatment</b>	enamelled
<b>Fitting / setting-up method</b>	suitable for ceiling and wall 180 cm min. above floor 60 cm min. from wall
<b>Connection</b>	with clamping springs, suited for ducts with diameter of 125 mm
<b>Setting</b>	pre-setting: based on audible rings fine adjustment: continuous with spindle

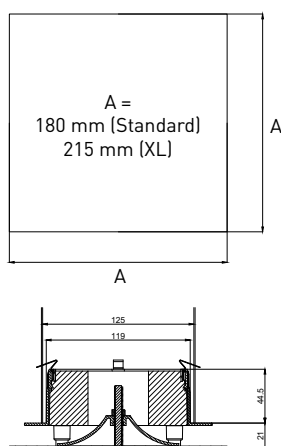
### Ventilation characteristics

<b>Maximum flow rate (m³/h)</b>	75
<b>Back pressure</b>	25 m³/h → 35 Pa 50 m³/h → 40 Pa 75 m³/h → 35 Pa
<b>Sound deadening</b>	yes
<b>Noise level</b>	< 15 dB(A) at 50 m³/h

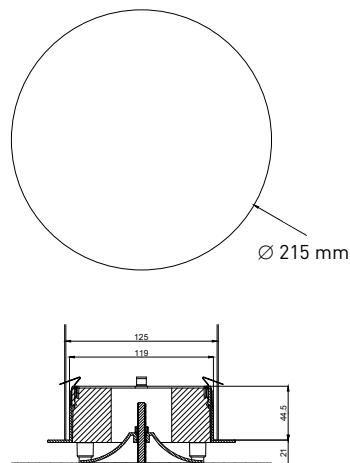
Pressure / flow curve DucoVent Design



Square



Circular



Rounded square

