

Product Technical Data Sheet

Pre-installation boxes with Horizontal or Vertical outlet v.2.1a

photo

Horizontal outlet:

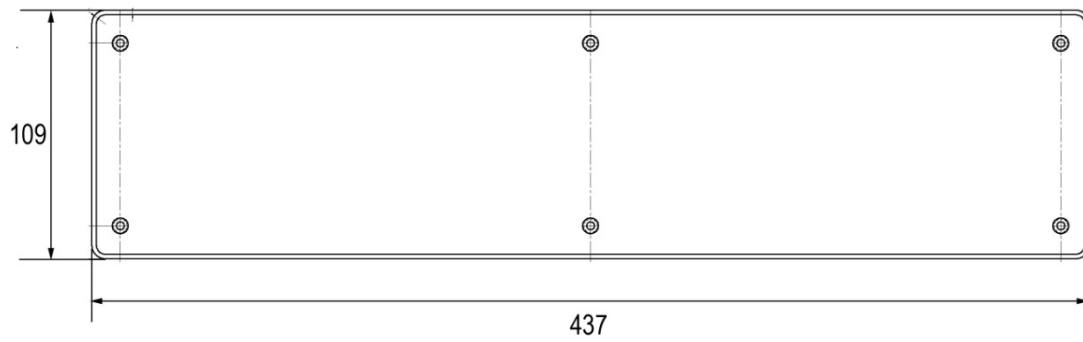


Vertical outlet:



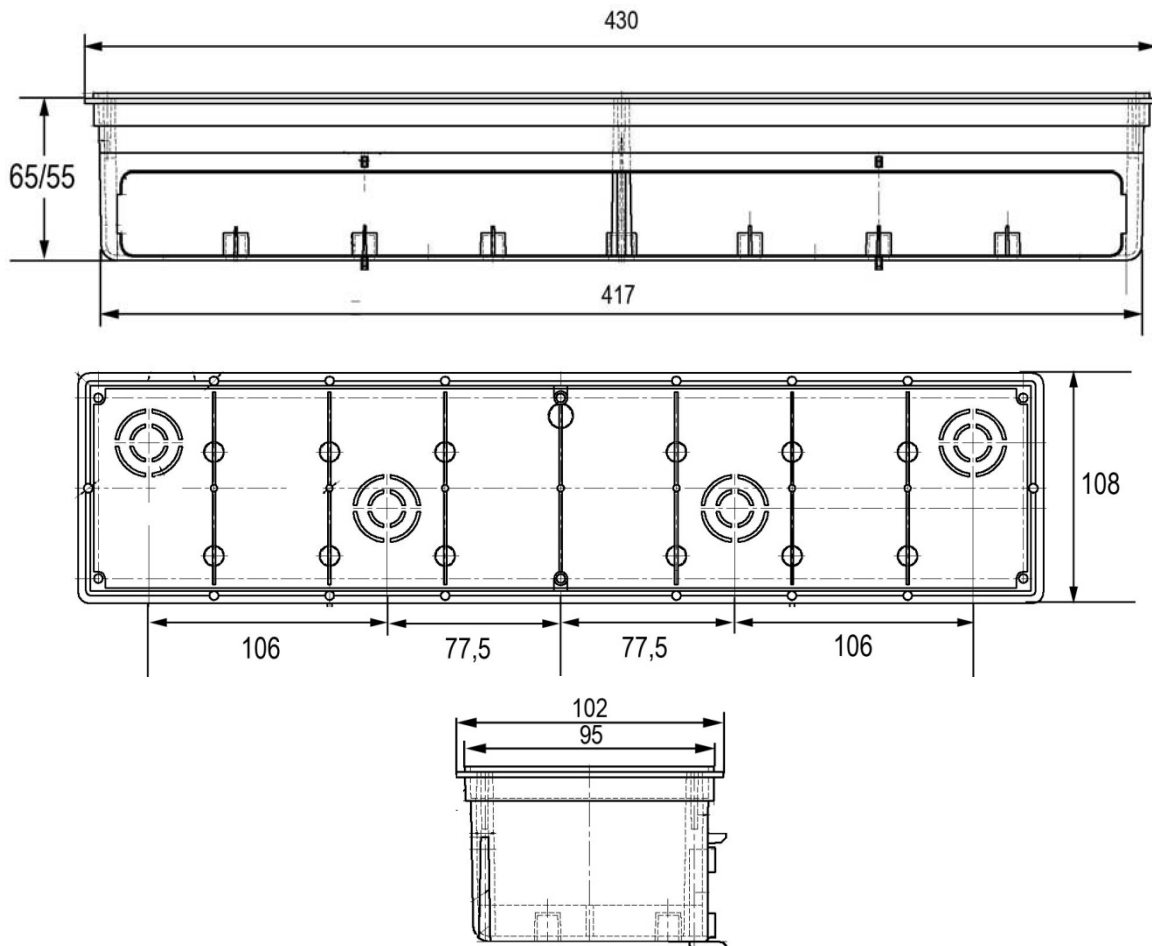
Technical drawing

Cover:



Thickness = 2mm

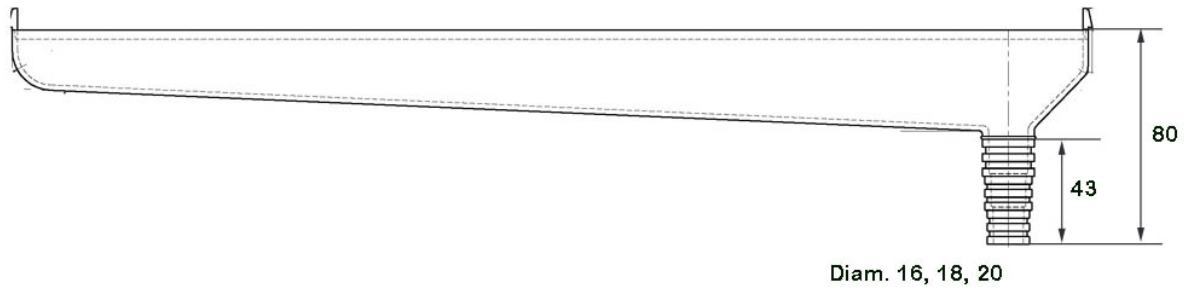
Box:



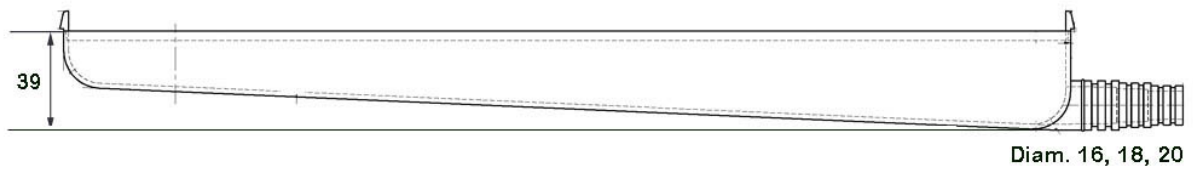
Measurements are in mm

Outlet:

- Vertical model:



- Horizontal model:



Material

High Impact Polystyrene

Available colours

White

Application Information

Pre-installation of air-conditioning indoor units