

**SPLIT TYPE
ROOM AIR CONDITIONER**
Compact Cassette / Slim Duct /
Mini Duct / Wall Mounted
INVERTER MULTI

SERVICE INSTRUCTION

Models	Indoor unit	Outdoor unit	Indoor unit	Outdoor unit
	AS* G07KGTB	AO* G14KBTA2	RSG07KGTB	ROG14KBTA2
	AS* G09KGTB	AO* G18KBTA2	RSG09KGTB	ROG18KBTA2
	AS* G12KGTB		RSG12KGTB	
	AS* G14KGTB		RSG14KGTB	
	AS* G07KMTB		RSG07KMTB	
	AS* G09KMTB		RSG09KMTB	
	AS* G12KMTB		RSG12KMTB	
	AS* G14KMTB		RSG14KMTB	
	AS*G07KETA (-B)		RSG07KETA (-B)	
	AS*G09KETA (-B)		RSG09KETA (-B)	
	AS*G12KETA (-B)		RSG12KETA (-B)	
	AS*G14KETA (-B)		RSG14KETA (-B)	
	ARXG07KSLAP		RDG07KSLAP	
	ARXG09KSLAP		RDG09KSLAP	
	ARXG12KSLAP		RDG12KSLAP	
	ARXG14KSLAP		RDG14KSLAP	
	ARXG07KLLAP		RDG07KLLAP	
	ARXG09KLLAP		RDG09KLLAP	
	ARXG12KLLAP		RDG12KLLAP	
	ARXG14KLLAP		RDG14KLLAP	
	AUXG07KVLA		RCG07KVLA	
	AUXG09KVLA		RCG09KVLA	
	AUXG12KVLA		RCG12KVLA	
	AUXG14KVLA		RCG14KVLA	





***Compact Cassette / Slim Duct /
Mini Duct / Wall Mounted
INVERTER (MULTI)***

2 . TROUBLE SHOOTING

2 ERROR DISPLAY

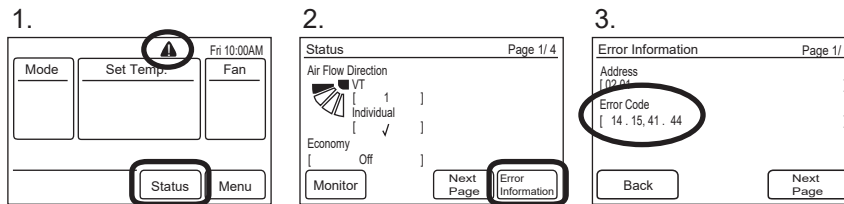
2-1 INDOOR UNIT AND WIRED REMOTE CONTROLLER DISPLAY

Check the Error LED display on the Indoor unit (IR Receiver *Option)

1. Check ECONOMY (Green) LED Blinking, it means the Error on the system. (Not brinking: No Error)
 2. Count OPERATION (Green) LED blinks: The number of blinking means the first digit of Error code.
 3. Count TIMER (Orange) LED blinks: The number of blinking means the second digit of Error code.
- Ex.) ECONOMY: Blinking continuous / OPERATION: 4 times / TIMER: 1 time ⇒ Indoor Room Thermistor Error

Check the Error code on the wired remote controller (Remote controller *Option)

1. If an error occurs, an error icon appears on the “Monitor mode screen”.
Touch the [Status] on the “Monitor mode screen”.The “Status” screen is displayed.
2. Touch the [Error Information] on the “Status”screen. The “Error Information”screen is displayed.
(If there are no errors, the [Error Information] will not be displayed.)
3. 2-digit numbers correspond to the error code in the table below. Touch the [Next page] (or [Previous page]) to switch to other connected indoor units.



For the details of the indoor unit or outdoor unit error , refer to the error codes in each installation manual

Error Contents	Error Code	Trouble shooting	Error Contents	Error Code	Trouble shooting
Serial Communication Error	11	1,2	Outdoor unit main PCB model information error	62	18
Wired Remote Controller Communication Error	12	3	Inverter Error	63	19
External communication Error	18	4	PFC circuit Error	64	20
Indoor unit capacity Error	22	5	Trip terminal L Error	65	21
Combination Error	23	6	Discharge Thermistor Error	71	22
Indoor unit address setting Error	26	7	Compressor Thermistor Error	72	23
Connection unit number Error (Indoor unit Wired remote controller Error)	29	8	Heat Ex. Outlet / Middle Thermistor Error	73	24
Indoor unit PCB model information Error	32	9	Outdoor Thermistor Error	74	25
Indoor unit motor electricity consumption detection Error	33	10	2-way Valve Thermistor Error	76	26-1
Manual auto switch Error	35	11	3-way Valve Thermistor Error	76	26-2
Indoor unit power supply Error for fan motor	39	12	Current sensor Error	84	27
Indoor unit Communication circuit (wired remote controller) Error	3A	13	Trip detection	94	29
Indoor Room Thermistor Error	41	14	Compressor rotor position detection Error	95	30
Indoor Heat Ex. Thermistor Error	42	15	Outdoor Unit Fan Motor Error	97	31
Indoor Unit Fan Motor Error	51	16	4-way Valve Error	99	32
Drain pump Error	53	17	Discharge Temp. Error	A1	33

2-2 TROUBLESHOOTING WITH ERROR CODE

Trouble shooting 1
OUTDOOR UNIT Error Method:
Serial communication error
(Serial Reverse Transfer Error)

Indicate or Display:

Error code : 11

Outdoor unit : No indication

Detective Actuators:

Outdoor unit Main PCB
 Outdoor unit fan motor

Detective details:

When the indoor unit cannot receive the serial signal from Outdoor unit more than 2minutes after power ON, or the indoor unit cannot receive the serial signal more than 15seconds during normal operation.

Forecast of Cause:

1. Connection failure 2. External cause 3. Main PCB failure 4. Outdoor unit fan motor failure

Check Point 1-1 : Reset the power and operate

· Does Error indication show again?

YES

NO

Check Point 2 : Check Connection

· Check any loose or removed connection line of Indoor unit and Outdoor unit.
 >> **If there is an abnormal condition, correct it by referring to Installation Manual or Data & Technical Manual.**

Check Point 1-2: Check external cause such as noise

· Check the complete insulation of the grounding.
 · Check if there is any equipment that causes harmonic wave near the power cable (Neon light bulb or any electronic equipment which causes harmonic wave).

OK

Check Point 3 : Check the voltage of power supply

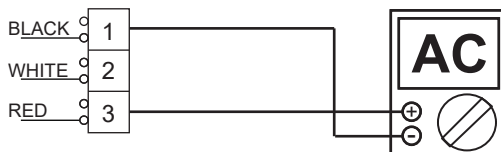
· Check the voltage of power supply
 >> **Check if AC198V (AC220V -10%) - 264V (AC240V +10%) appears at Outdoor Unit Terminal L - N.**



OK

Check Point 4 : Check Serial Signal (Reverse Transfer Signal)

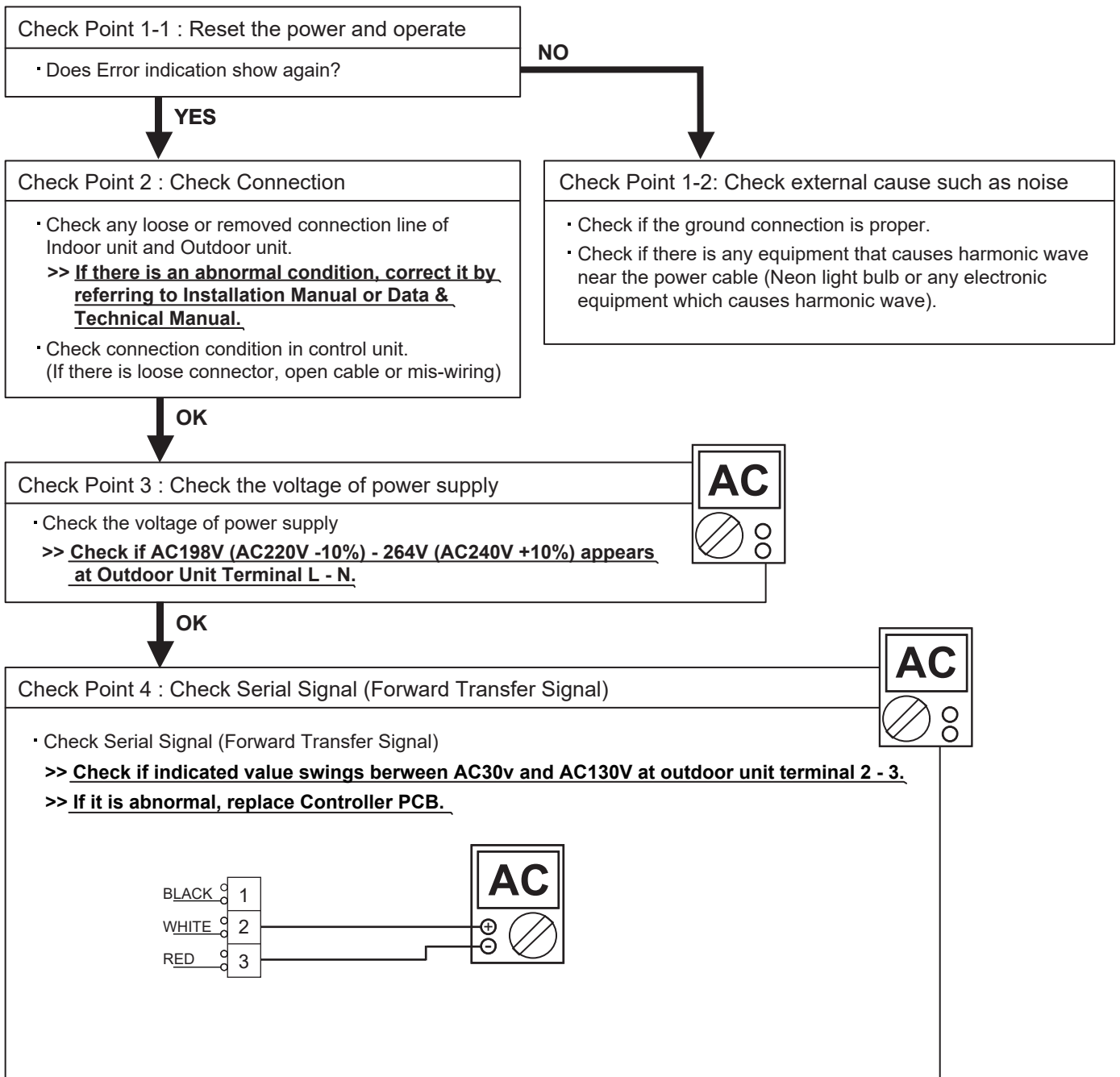
· Check Serial Signal (Reverse Transfer Signal)
 >> **Check if Indicated value swings between AC90V and AC270V at Outdoor Unit Terminal 1 - 3.**
 >> **If it is abnormal, Check Outdoor unit fan motor (PARTS INFORMATION 5)**
 >> **If Outdoor fan motor is abnormal, replace Outdoor unit fan motor and Main PCB.**
 >> **If Outdoor fan motor is normal, replace Main PCB.**



<p>Trouble shooting 2 INDOOR UNIT Error Method: Serial communication error (Serial Forward Transfer Error)</p>	<p>Indicate or Display:</p> <p>Error code : 11 Outdoor unit : No indication</p>
---	--

<p>Detective Actuators:</p> <p>Indoor unit Controller PCB</p>	<p>Detective details:</p> <p>When the outdoor unit cannot properly receive the serial signal from indoor unit for 10 seconds or more.</p>
--	--

<p>Forecast of Cause:</p> <p>1. Connection failure 2. External cause 3. Controller PCB failure</p>



Trouble shooting 3 <u>INDOOR UNIT Error Method:</u> Wired Remote Controller Communication Error	<u>Indicate or Display:</u> Error code : 12 Outdoor unit : No indication
--	--

<u>Detective Actuators:</u> Indoor unit Controller PCB Wired Remote Controller	<u>Detective details:</u> Upon receiving the signal more than 1 time from Wired Remote or other Indoor unit, but the same signal has not been received more than 1 minute (3 Wire type), 2.5 minute (2 Wire type)
---	---

<u>Forecast of Cause:</u> 1. Connection failure 2. Wired Remote Controller failure 3. Controller PCB failure
--

Check Point 1 : Check the connection of terminal After turning off the power. <u>Check & correct the followings.</u> <ul style="list-style-type: none"> • Check the connection of terminal between Wired Remote Controller and indoor unit, and check if there is a disconnection of the cable.



Check Point 1-2 : Check Wired Remote Controller and Controller PCB
<div style="display: flex; justify-content: space-between;"> <div style="width: 80%;"> <p>For AS* G __ KGTB</p> <ul style="list-style-type: none"> • Check Voltage at CN300 (Terminal 1-2) of UTY-TWRXZ2 (Communication kit). (Power supply to Remote control) >> If it is DC12V, Remote control is failure. (Controller PCB is normal) >> Replace Remote control >> If it is DC 0V, Controller PCB is failure. (Check Remote control once again) >> Replace Controller PCB <p>For AS* G __ KMTB</p> <ul style="list-style-type: none"> • Check Voltage at CNC01 (Terminal 1-3) of UTY-TWBXF2 (Communication kit). (Power supply to Remote control) >> If it is DC13V, Remote control is failure. (Controller PCB is normal) >> Replace Remote control >> If it is DC 0V, Controller PCB is failure. (Check Remote control once again) >> Replace Controller PCB <p>For AR type</p> <ul style="list-style-type: none"> • Check Voltage at CN300 of Controller PCB. (Terminal 1-3, Terminal 1-2) (Power supply for the Remote Control) >> If it is DC13V, Remote control is failure. (Controller PCB is normal) >> Replace Remote control >> If it is DC 0V, Controller PCB is failure. (Check Remote control once again) >> Replace Controller PCB <p>For AU type</p> <ul style="list-style-type: none"> • Check Voltage at CN14 of Controller PCB. (Terminal 1-3, Terminal 1-2) (Power supply for the Remote Control) >> If it is DC12V, Remote control is failure. (Controller PCB is normal) >> Replace Remote control >> If it is DC 0V, Controller PCB is failure. (Check Remote control once again) >> Replace Controller PCB <p>▶ <u>Upon correcting the removed connector or mis-wiring, reset the power.</u></p> </div> <div style="width: 15%; text-align: center;"> </div> </div>

Check Point 2 : Wire installation Wrong RCgroup setting
<ul style="list-style-type: none"> ❑ Wrong wire connection in RCgroup (Please refer to the installation manual) ❑ The number of connecting indoor unit and Remote controller in one RCgroup were less than 16 units.



Check Point 2-1 : Check Indoor unit controller PCB
<ul style="list-style-type: none"> ❑ Check if controller PCB damage. ❑ Change controller PCB and check the Error after setting remote controller address.

Trouble shooting 4 INDOOR UNIT Error Method: External communication error	Indicate or Display: Error code : 18 Outdoor unit : No indication
--	--

Detective Actuators: External communication error	Detective details: After receiving a signal from the external I/O PCB, the same a signal has not been received for 15sec
---	--

Forecast of Cause : 1. Connection failure 2. External I/O PCB failure 3. Controller PCB failure

Check Point 1 : Check the connection
<ul style="list-style-type: none"> ▪ Check any loose or removed connection of between the controller PCB to the external I/O PCB >>If there is an abnormal condition, correct it by refer to installation manual or the technical manual. ▪ Check the condition condition on the external I/O PCB and the controller PCB (If there is loose connector, open cable or mis-wiring)



Check Point 2: Replace external I/O PCB
▶ <u>If Check Point 1 do not improve the symptom, change External I/O PCB.</u>



Check Point 3: Replace Controller PCB
▶ <u>If Check Point 2 do not improve the symptom, change Controller PCB.</u>

Trouble shooting 5 <u>OUTDOOR UNIT Error Method:</u> Indoor unit capacity error	<u>Indicate or Display:</u> Error code : 22 Outdoor unit : No indication
--	--

<u>Detective Actuators:</u> All indoor units	<u>Detective details:</u> The total capacity of the indoor units if it is install beyond.
--	---

<u>Forecast of Cause :</u> 1. The selection of indoor units is incorrect 2. Main PCB(Outdoor unit) failure

Check Point 1 : Check the total capacity of indoor unit
· Check the total capacity of the connected indoor units. >> <u>If abnormal condition is found, correct it by referring to Installation Manual or Design & Technical Manual.</u>



Check Point 2 : Replace Main PCB
► <u>If Check Point 1 do not improve the symptom, replace Main PCB of Outdoor unit.</u>

Trouble shooting 6 <u>INDOOR UNIT Error Method:</u> Combination error	<u>Indicate or Display:</u> Error code : 23 Outdoor unit : No indication
---	--

<u>Detective Actuators:</u> Indoor unit	<u>Detective details:</u> The outdoor unit receives the serial signal of applied refrigerant information from Indoor unit. When the refrigerant is R410a.
---	---

<u>Forecast of Cause:</u> 1. The selection of indoor units is incorrect

Check Point 1 : Check the type of indoor unit

· Check the type of the connected indoor unit.
>> If abnormal condition is found, correct it.



Check Point 2 : Replace Main PCB

► **If Check Point 1 do not improve the symptom, replace Main PCB of Outdoor unit.**

<p>Trouble shooting 7 INDOOR UNIT Error Method:</p> <p>Indoor unit address setting error</p>	<p>Indicate or Display:</p> <p>Error code : 26</p> <p style="text-align: right;">Outdoor unit : No indication</p>
--	---

<p>Detective Actuators:</p> <p>Wired remote controller (2-Wire) Indoor unit Controller PCB circuit</p>	<p>Detective details:</p> <p>When the address number set by auto setting and manual setting are mixed in one RC group. When the duplicated address number exists in one RC group.</p>
---	--

<p>Forecast of Cause :</p> <p>1. Wrong wiring of RCgroup 2. Wrong remote address setting 3. Indoor unit controller PCB failure 4. Remote controller failure</p>
--

<p>Check Point 1 : Wire installation</p>
<p><input type="checkbox"/> Wrong wire connection in RCgroup (Please refer to the installation manual)</p>



<p>Check Point 2 : Wrong RCgroup setting</p>
<p><input type="checkbox"/> The given address number by auto setting (00) and the manual set number (Except 00) were not existing in one RCG.</p> <p><input type="checkbox"/> The remote controller address setting by U.I. were not existing same address.</p> <p><input type="checkbox"/> The duplicated address number is not existing in one RCgroup</p>



<p>Check Point 3 : Check Indoor unit controller PCB</p>
<p><input type="checkbox"/> Check if controller PCB damage</p> <p><input type="checkbox"/> Change controller PCB and check the Error after setting remote controller address</p>

Trouble shooting 8 <u>INDOOR UNIT Error Method:</u> Connection unit number error (Indoor unit in Wired remote controller system)	<u>Indicate or Display:</u> Error code : 29 Outdoor unit : No indication
---	--

<u>Detective Actuators:</u> Wired remote controller (2-Wire) Indoor unit Controller PCB circuit	<u>Detective details:</u> When the number of connecting indoor units are out of specified rule.
--	---

<u>Forecast of Cause :</u> 1. Wrong wiring / Number of I.U, RC in RCgroup 2. Indoor unit controller PCB defective

Check Point 1 : Wire installation
<input type="checkbox"/> Wrong number of connecting indoor unit

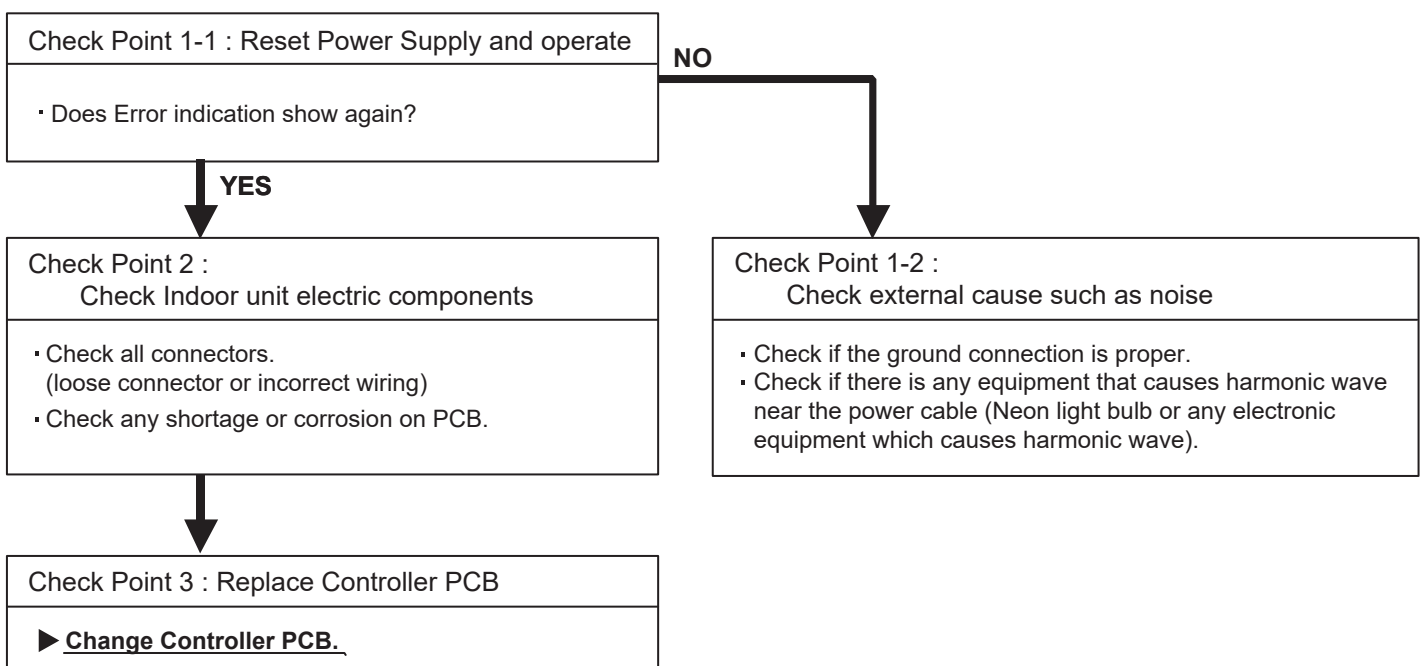


Check Point 2 : Check Indoor unit controller PCB
<input type="checkbox"/> Check if controller PCB damage <input type="checkbox"/> Check if controller PCB and check the Error after setting remote controller address

Trouble shooting 9 <u>INDOOR UNIT Error Method:</u> Indoor unit PCB model information error	<u>Indicate or Display:</u> Error code : 32 Outdoor unit : No indication
--	--

<u>Detective Actuators:</u> Indoor unit Controller PCB	<u>Detective details:</u> When power is on and there is some below case. 1. When model information of EEPROM is incorrect. 2. When the access to EEPROM failed.
--	---

<u>Forecast of Cause:</u> 1. External cause 2. Defective connection of electric components 3. Controller PCB failure
--



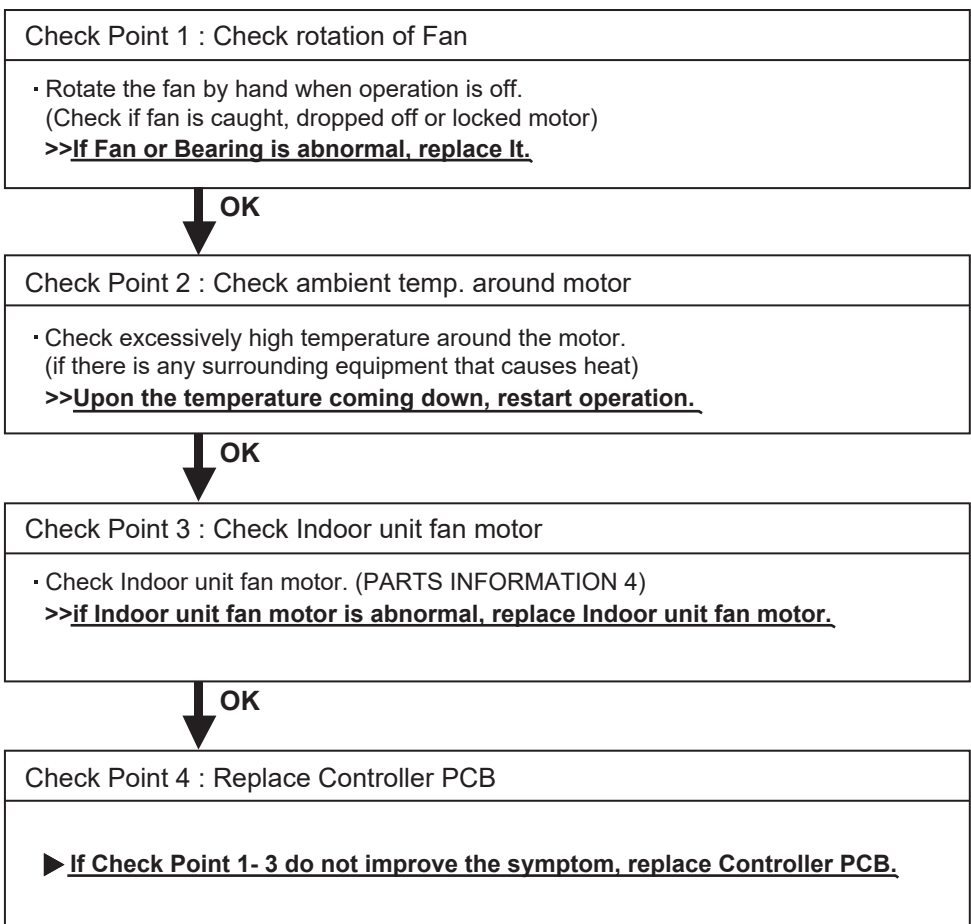
Note : EEPROM

EEPROM(Electronically Erasable and Programmable Read Only Memory) is a non-volatile memory which keeps memorized information even if power is turned off. It can change the contents electronically. To change the contents, it uses higher voltage than normal, and it can not change a partial contents. (Rewriting shall be done upon erasing the all contents.) There is a limit in a number of rewriting.

<p>Trouble shooting 10 <u>INDOOR UNIT Error Method:</u></p> <p>Indoor unit motor electricity consumption detection error</p>	<p><u>Indicate or Display:</u></p> <p>Error code : 33 Outdoor unit : No indication</p>
---	---

<p><u>Detective Actuators:</u></p> <p>Indoor unit fan motor Indoor unit Controller PCB circuit</p>	<p><u>Detective details:</u></p> <p>When the voltage value or the current value of the motor go beyond the limits.</p>
---	---


<p><u>Forecast of Cause:</u></p> <p>1. Fan motor failure 2. Controller PCB failure</p>
--



Trouble shooting 11 <u>INDOOR UNIT Error Method:</u> Manual auto switch Error	<u>Indicate or Display:</u> Error code : 35 Outdoor unit : No indication
--	--

<u>Detective Actuators:</u> Indoor unit Controller PCB Indicator PCB Manual auto switch	<u>Detective details:</u> When the Manual Auto Switch becomes ON for consecutive 60 or more seconds.
---	--

<u>Forecast of Cause:</u> 1. Manual auto switch failure 2. Controller PCB and Indicator PCB failure
--

Check Point 1 : Check the Manual auto switch <ul style="list-style-type: none"> • Check if Manual auto switch is kept pressed. • Check ON/OFF switching operation by using a meter. >>If Manual auto switch is disabled (on/off switching), replace it.	
--	--



Check Point 2 : Replace Controller PCB ► If Check Point 1 do not improve the symptom, change Controller PCB and Indicator PCB.

Trouble shooting 12 <u>INDOOR UNIT Error Method:</u> Indoor unit power supply error for fan motor	<u>Indicate or Display:</u> Error code : 39 Outdoor unit : No indication
--	--

<u>Detective Actuators:</u> Indoor unit Power Supply PCB	<u>Detective details:</u> When a momentary power cut off. When do not start fan motor.
--	---

<u>Forecast of Cause :</u> 1. External cause 2. Connection of connector failure 3. Power Supply PCB failure

Check Point 1 : Check external cause at Indoor and Outdoor (Voltage drop or Noise)
<ul style="list-style-type: none">• Instant drop : Check if there is a large load electric apparatus in the same circuit.• Momentary power failure : Check if there is a defective contact or leak current in the power supply circuit.• Noise : Check if there is any equipment causing harmonic wave near electric line. (Neon bulb or electric equipment that may cause harmonic wave) Check the complete insulation of grounding.

↓
OK

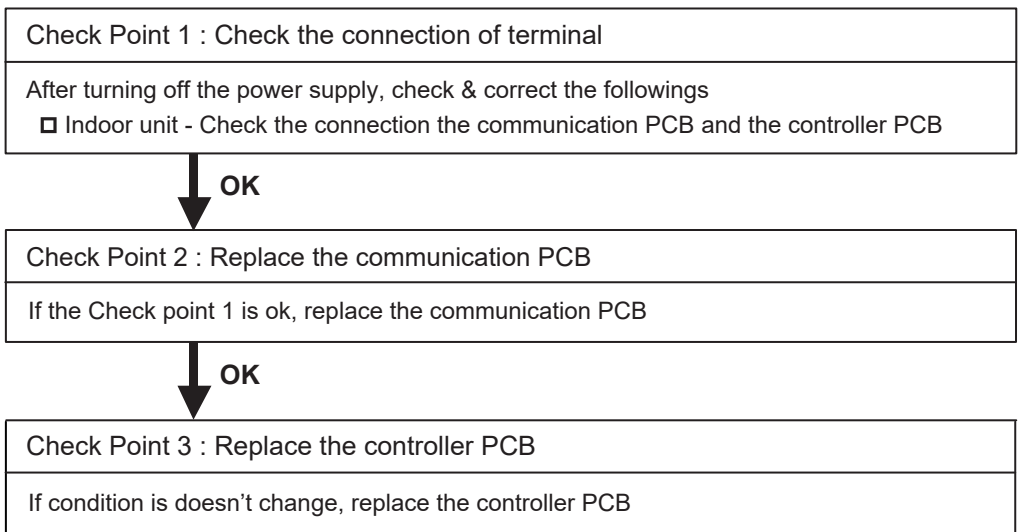
Check Point 2 : Check connection of Connector
<ul style="list-style-type: none">• Check if connector is removed.• Check erroneous connection.• Check if cable is open. <p>>><u>Upon correcting the removed connector or mis-wiring, reset the power.</u></p>

↓
OK

Check Point 3 : Replace Power supply PCB
▶ <u>If Check Point 1, 2 do not improve the symptom, replace Power supply PCB.</u>

Trouble shooting 13 INDOOR UNIT Error Method: Indoor unit Communication circuit (wired remote controller) error	<u>Indicate or Display:</u> Error code : 3A Outdoor unit : No indication
<u>Detective Actuators:</u> Indoor unit Controller PCB circuit	<u>Detective details:</u> Detect the communication error of microcomputer and communication PCB.

Forecast of Cause :
1.Communication PCB defective 2. Indoor unit controller PCB defective



Trouble shooting 14 INDOOR UNIT Error Method: Indoor Room Thermistor Error	Indicate or Display: Error code : 41 Outdoor unit : No indication
---	---

Detective Actuators: Indoor unit Controller PCB Circuit Indoor Temperature Thermistor	Detective details: Indoor unit thermistor is open or short is detected always.
--	--

Forecast of Cause :
1. Connector failure connection 2. Thermistor failure 3. Controller PCB failure

Check Point 1 : Check connection of Connector

- Check if connector is loose or removed
- Check erroneous connection
- Check if thermistor cable is open

>>Reset Power when reinstalling due to removed connector or incorrect wiring.



Check Point 2 : Remove connector and check Thermistor resistance value

Thermistor Characteristics(Rough value)

Temperature (°C)	-10	-5	0	5	10	15	20	25
Resistance value (kΩ)	58.2	44.0	33.6	25.9	20.2	15.8	12.5	10.0

Temperature (°C)	30	35	40	45
Resistance value (kΩ)	8.0	6.5	5.3	4.3

► If Thermistor is either open or shorted, replace it and reset the power.



Check Point 3 : Check Voltage of Controller PCB (DC 5.0V)

Make sure circuit diagram of each indoor unit and check terminal voltage at Thermistor (DC5.0V)

For AS* G __ KGTB

For AS* G __ KMTB

For AR type

For AU type

► If the voltage does not appear, replace Controller PCB and execute the check operation again.

Trouble shooting 15 INDOOR UNIT Error Method: Indoor Heat Ex. Thermistor Error	Indicate or Display: Error code : 42 Outdoor unit : No indication
---	---

Detective Actuators: Indoor unit Controller PCB Circuit Heat Exchanger (MID) Thermistor	Detective details: Indoor unit thermistor is open or short is detected always.
--	--

Forecast of Cause :
1. Connector failure connection 2. Thermistor failure 3. Controller PCB failure

Check Point 1 : Check connection of Connector

- Check if connector is loose or removed
- Check erroneous connection
- Check if thermistor cable is open

>>Reset Power when reinstalling due to removed connector or incorrect wiring.



Check Point 2 : Remove connector and check Thermistor resistance value

Thermistor Characteristics(Rough value)

For AS type

Temperature (°C)	-30	-25	-20	-15	-10	-5	0	5	10	15
Resistance value (kΩ)	1131.9	804.5	579.6	422.9	312.3	233.2	176.0	134.2	103.3	80.3

Temperature (°C)	20	25	30	35	40	45	50	55	60	65
Resistance value (kΩ)	62.9	49.7	39.6	31.7	25.6	20.8	17.1	14.1	11.6	9.7

For AR / AU type

Temperature (°C)	-30	-25	-20	-15	-10	-5	0	5	10	15
Resistance value (kΩ)	1013.1	729.1	531.5	392.3	292.9	221.1	168.6	129.8	100.9	79.1

Temperature (°C)	20	25	30	35	40	45	50	55	60	65
Resistance value (kΩ)	62.5	49.8	40.0	32.4	26.3	21.6	17.8	14.8	12.3	10.3

► If Thermistor is either open or shorted, replace it and reset the power.



Check Point 3 : Check Voltage of Controller PCB (DC 5.0V)

Make sure circuit diagram of each indoor unit and check terminal voltage at Thermistor (DC5.0V)

For AS* G __ KGTB

For AS* G __ KMTB

For AR type

For AU type

► If the voltage does not appear, replace Controller PCB and execute the check operation again.

Trouble shooting 16 INDOOR UNIT Error Method: Indoor Unit Fan Motor Error	Indicate or Display: Error code : 51 Outdoor unit : No indication
--	---

Detective Actuators: Indoor unit Controller PCB Indoor unit Power Supply PCB (For AR / AU type) Indoor unit fan motor	Detective details: When the fan motor speed is less than 1/3 of the target fan speed for 56 seconds. When detect the 0 rpm for 56 seconds after fan motor started.
--	---

Forecast of Cause: 1. Fan rotation failure 2. Fan motor winding open 3. Motor protection by surrounding temperature rise 4. Controller PCB failure 5. Power Supply PCB failure 6. Indoor unit fan motor failure
--

Check Point 1 : Check rotation of Fan

- Rotate the fan by hand when operation is off.
(Check if fan is caught, dropped off or locked motor)

>>If Fan or Bearing is abnormal, replace It.



Check Point 2 : Check ambient temp. around motor

- Check excessively high temperature around the motor.
(if there is any surrounding equipment that causes heat)

>>Upon the temperature coming down, restart operation.



Check Point 3 : Check Indoor unit fan motor

- Check Indoor unit fan motor. (PARTS INFORMATION 4)

>>if Indoor unit fan motor is abnormal, replace Indoor unit fan motor.



Check Point 4 : Replace Power Supply PCB (For AR / AU type)

▶ If Check Point 1- 3 do not improve the symptom, replace Power Supply PCB.



Check Point 5 : Replace Controller PCB

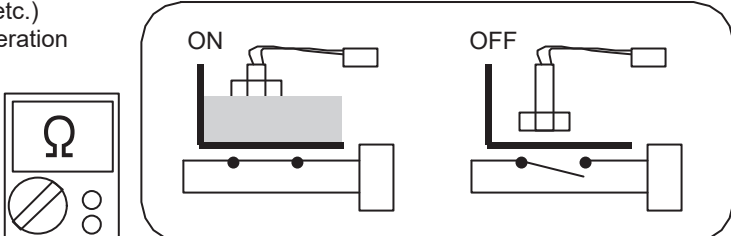
▶ If Check Point 1- 4 do not improve the symptom, replace Controller PCB.

For AR / AU type

<p>Trouble shooting 17 <u>INDOOR UNIT Error Method:</u> Drain Pump Error</p>	<p><u>Indicate or Display:</u></p> <p>Error code : 53 Outdoor unit : No indication</p>
---	--

<p><u>Detective Actuators:</u></p> <p>Indoor unit Controller PCB Circuit Float switch</p>	<p><u>Detective details:</u></p> <p>When Float switch is ON for more than 3 minutes.</p>
---	---

<p><u>Forecast of Cause :</u></p> <p>1. Float switch failure 2. Shorted connector/wire 3. Controller PCB failure 4. Drain pump failure 5. Hose clogging</p>
--

<p>Check Point 1 : Check Float switch</p>	
<ul style="list-style-type: none"> • Check operation of float switch. (any blocking by dust, etc.) • Remove Float switch and check ON/OFF switching operation by using a meter. <p>>><u>If Float switch is abnormal, replace it.</u></p>	

↓
OK

<p>Check Point 2 : Check Connector and Wire</p>
<ul style="list-style-type: none"> • Check loose contact of CN9 /shorted wire (pinched wire). <p>>><u>Replace Float switch if the wire is abnormal</u></p>

↓
OK

<p>Check Point 3 : Check Drain hose</p>
<ul style="list-style-type: none"> • Check Drain hose . <p>>><u>If there is Hose clogging. Please clear the clog.</u></p>

↓
OK

<p>Check Point 4 : Replace Drain pump</p>
<p>▶ <u>If Check Point 1- 3 do not improve the symptom, replace Drain pump.</u></p>

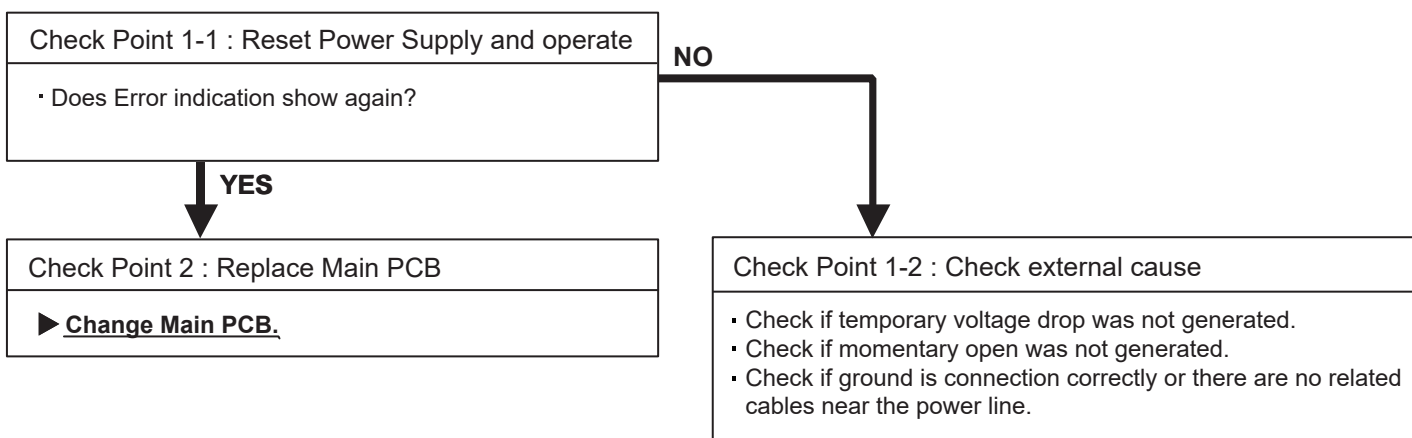
↓
OK

<p>Check Point 5 : Replace Controller PCB</p>
<p>▶ <u>If Check Point 4 do not improve the symptom, replace Controller PCB.</u></p>

<p>Trouble shooting 18 <u>OUTDOOR UNIT Error Method:</u> Outdoor unit main PCB model information error</p>	<p><u>Indicate or Display:</u></p> <p>Error code : 62 Outdoor unit : No indication</p>
---	---

<p><u>Detective Actuators:</u></p> <p>Outdoor unit Main PCB</p>	<p><u>Detective details:</u></p> <p>Access to EEPROM failed due to some cause after outdoor unit started.</p>
--	--

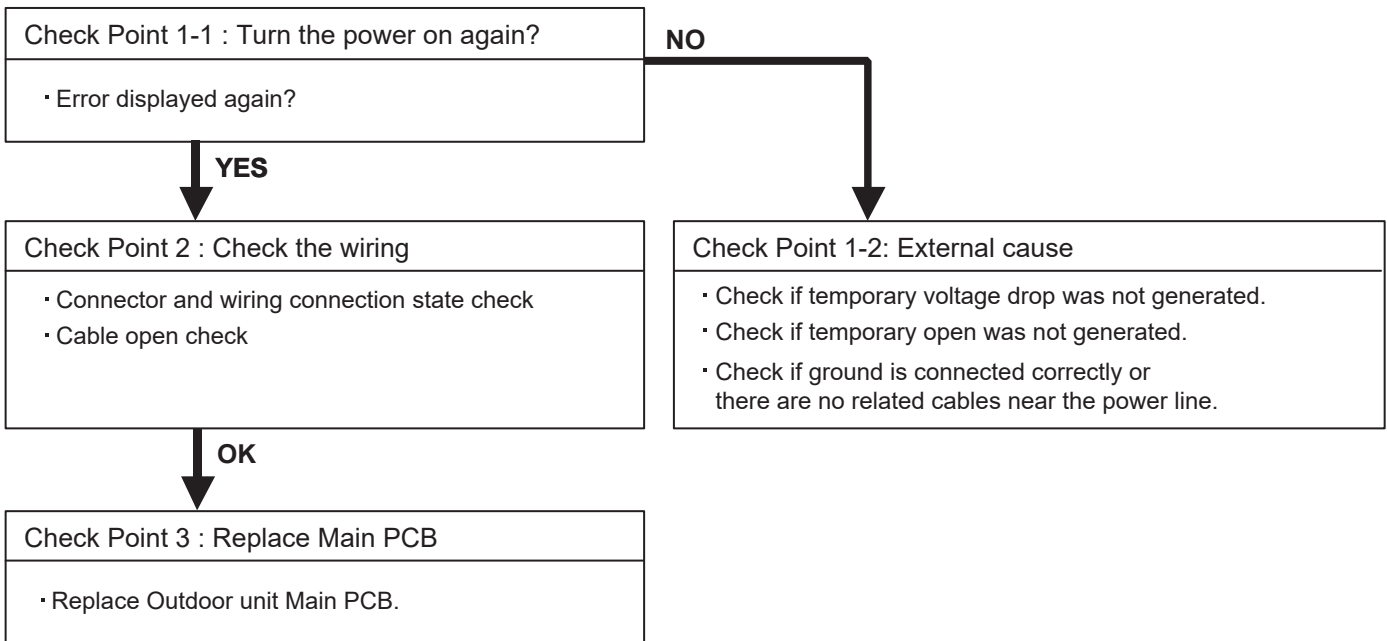
<p><u>Forecast of Cause:</u></p> <p>1. External cause (Noise, temporary open, voltage drop) 2. Main PCB failure</p>



Trouble shooting 19 <u>OUTDOOR UNIT Error Method:</u> Inverter error	<u>Indicate or Display:</u> Error code : 63 Outdoor unit : No indication
---	--

<u>Detective Actuators:</u> Outdoor unit Main PCB	<u>Detective details:</u> • Error information received from Outdoor unit Main PCB
---	---

<u>Forecast of Cause :</u> 1. External cause. 2. Power supply to Main PCB wiring disconnection, open 3. Outdoor unit Main PCB failure



Trouble shooting 20 <u>OUTDOOR UNIT Error Method:</u> PFC circuit error	<u>Indicate or Display:</u> Error code : 64 Outdoor unit : No indication
--	--

<u>Detective Actuators:</u> Outdoor unit Main PCB	<u>Detective details:</u> When inverter output DC voltage is higher than 415V(14 type) or 420V(18 type) for over 3 seconds, the compressor stops. If the same operation is repeated 5 times, the compressor stops permanently.
---	---

<u>Forecast of Cause :</u> 1. External cause 2. Connector connection failure 3. Main PCB failure
--

Check Point 1 : Check external cause at Indoor and Outdoor (Voltage drop or Noise) <ul style="list-style-type: none"> • Instant drop : Check if there is a large load electric apparatus in the same circuit. • Momentary power failure : Check if there is a defective contact or leak current in the power supply circuit. • Noise : Check if there is any equipment causing harmonic wave near electric line. (Neon bulb or electric equipment that may cause harmonic wave) Check the complete insulation of grounding.
--



Check Point 2 : Check connection of Connector <ul style="list-style-type: none"> • Check if connector is removed. • Check erroneous connection. • Check if cable is open. >><u>Upon correcting the removed connector or mis-wiring, reset the power.</u>
--



Check Point 3 : Replace Main PCB ▶ <u>If Check Point 1, 2 do not improve the symptom, change Main PCB.</u>

Trouble shooting 21 <u>OUTDOOR UNIT Error Method:</u> Trip terminal L error	<u>Indicate or Display:</u> Error code : 65 Outdoor unit : No indication
--	--

<u>Detective Actuators:</u> Outdoor unit Main PCB	<u>Detective details:</u> When the signal from FO terminal of IPM is "L"(=0V) while the compressor stops.
---	--

<u>Forecast of Cause:</u> 1. Outdoor unit Main PCB failure
--

Check Point 1 : Replace Main PCB
▶ <u>Replace Outdoor unit Main PCB.</u>

Trouble shooting 22 OUTDOOR UNIT Error Method: Discharge Thermistor Error	Indicate or Display: Error code : 71 Outdoor unit : No indication
--	--

Detective Actuators: Discharge temperature thermistor	Detective details: · Discharge temperature thermistor short or open detected
---	--


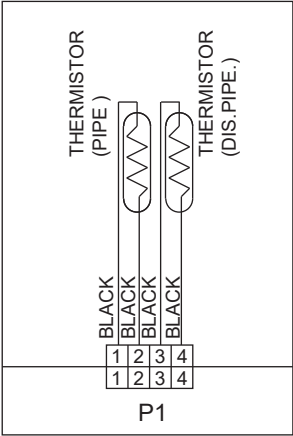
Forecast of Cause : <ol style="list-style-type: none"> 1. Connector connection failure, open 2. Thermistor failure 3. Main PCB failure
--

Check Point 1 : Check the connector connection and cable open
<input type="checkbox"/> Connector connection state check <input type="checkbox"/> Cable open check



Check Point 2 : Check the thermistor
<input type="checkbox"/> Thermistor characteristics check (Disconnect the thermistor from the PCB and check.) * For the thermistor characteristics, refer to the "Service Parts Information 8".



Check Point 3 : Check voltage of Main PCB (DC5.0V)	<div style="border: 1px solid black; padding: 2px; display: inline-block;">DC</div> 
<input type="checkbox"/> Main PCB P1:3-4 voltage value =5V <u>Remove the thermistor from Main PCB, check the voltage.</u>	
	
<p>► <u>If the voltage does not appear, replace Main PCB, and execute the check operation again.</u></p>	

Trouble shooting 23 OUTDOOR UNIT Error Method: Compressor Temp. Thermistor Error	Indicate or Display: Error code : 72 Outdoor unit : No indication
---	--

Detective Actuators: Compressor temperature thermistor	Detective details: · Compressor temperature thermistor short or open detected
--	---


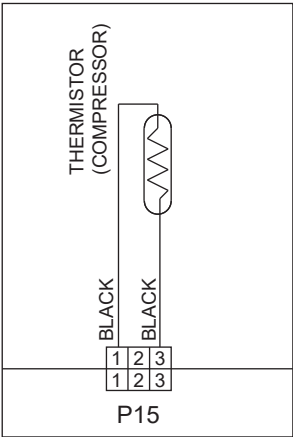
Forecast of Cause : <ol style="list-style-type: none"> 1. Connector connection failure, open 2. Thermistor failure 3. Main PCB failure
--

Check Point 1 : Check the connector connection and cable open <input type="checkbox"/> Connector connection state check <input type="checkbox"/> Cable open check



Check Point 2 : Check the thermistor <input type="checkbox"/> Thermistor characteristics check (Disconnect the thermistor from the PCB and check.) * For the thermistor characteristics, refer to the "Service Parts Information 8".



Check Point 3 : Check voltage of Main PCB (DC5.0V) <input type="checkbox"/> Main PCB P15:1-3 voltage value =5V <u>Remove the thermistor from Main PCB, check the voltage.</u>	<div style="border: 1px solid black; padding: 5px; width: fit-content; margin: 0 auto;"> DC  </div>
	
<p>▶ <u>If the voltage does not appear, replace Main PCB, and execute the check operation again.</u></p>	

Trouble shooting 24 OUTDOOR UNIT Error Method: Heat Ex. Outlet / Middle Temp. Thermistor Error	Indicate or Display: Error code : 73 Outdoor unit : No indication
---	---

Detective Actuators: Heat exchanger Outlet / Middle temperature thermistor	Detective details: <ul style="list-style-type: none"> • Heat exchanger outlet temperature thermistor short or open detected • Heat exchanger middle temperature thermistor short or open detected
--	---

Forecast of Cause : <ol style="list-style-type: none"> 1. Connector connection failure, open 2. Thermistor failure 3. Main PCB failure
--

Check Point 1 : Check the connector connection and cable open
<input type="checkbox"/> Connector connection state check <input type="checkbox"/> Cable open check



Check Point 2 : Check the thermistor
<input type="checkbox"/> Thermistor characteristics check (Disconnect the thermistor from the PCB and check.) * For the thermistor characteristics, refer to the "Service Parts Information 8".



Check Point 3 : Check voltage of Main PCB (DC5.0V)	<div style="border: 1px solid black; padding: 5px; width: fit-content; margin: 0 auto;"> DC </div>
<input type="checkbox"/> Main PCB P1 :1-2 voltage value =5V Main PCB P10:1-2 voltage value =5V Remove the thermistor from Main PCB, check the voltage.	
<p>P1</p>	<p>P10</p>
<p>► <u>If the voltage does not appear, replace Main PCB, and execute the check operation again.</u></p>	

Trouble shooting 25 OUTDOOR UNIT Error Method: Outdoor Thermistor Error	Indicate or Display: Error code : 74 Outdoor unit : No indication
--	--

Detective Actuators: Outdoor temperature thermistor	Detective details: · Outdoor temperature thermistor short or open detected
---	--


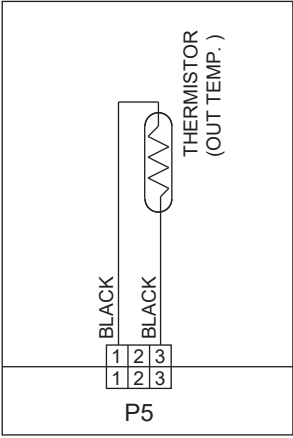
Forecast of Cause : <ol style="list-style-type: none"> 1. Connector connection failure, open 2. Thermistor failure 3. Main PCB failure
--

Check Point 1 : Check the connector connection and cable open <input type="checkbox"/> Connector connection state check <input type="checkbox"/> Cable open check
--



Check Point 2 : Check the thermistor <input type="checkbox"/> Thermistor characteristics check (Disconnect the thermistor from the PCB and check.) * For the thermistor characteristics, refer to the "Service Parts Information 8".
--



Check Point 3 : Check voltage of Main PCB (DC5.0V) <input type="checkbox"/> Main PCB P5:1-3 voltage value =5V <u>Remove the thermistor from Main PCB, check the voltage.</u>	<div style="border: 1px solid black; padding: 5px; width: fit-content; margin: 0 auto;"> DC  </div>
	
<p>▶ <u>If the voltage does not appear, replace Main PCB, and execute the check operation again.</u></p>	

Trouble shooting 26-1 OUTDOOR UNIT Error Method: 2-way Valve Thermistor Error	Indicate or Display: Error code : 76 Outdoor unit : No indication
--	---

Detective Actuators: Outdoor temperature thermistor	Detective details: · Outdoor temperature thermistor short or open detected
---	--

Forecast of Cause : <ol style="list-style-type: none"> 1. Connector connection failure, open 2. Thermistor failure 3. Main PCB failure
--

Check Point 1 : Check the connector connection and cable open
<input type="checkbox"/> Connector connection state check <input type="checkbox"/> Cable open check



Check Point 2 : Check the thermistor
<input type="checkbox"/> Thermistor characteristics check (Disconnect the thermistor from the PCB and check.) * For the thermistor characteristics, refer to the "Service Parts Information 8".



Check Point 3 : Check voltage of Main PCB (DC5.0V)	
<input type="checkbox"/> Main PCB P6:1-2 voltage value =5V Main PCB P6:5-6 voltage value =5V <u>Remove the thermistor from Main PCB, check the voltage.</u>	
<div style="border: 1px solid black; padding: 5px; margin-bottom: 10px;"> <p style="text-align: center;">THERMISTOR(VALVE)</p> <p style="text-align: center;">2WV-A 3WV-A 2WV-B 3WV-B</p> </div>	
<p>► <u>If the voltage does not appear, replace Main PCB, and execute the check operation again.</u></p>	

Trouble shooting 26-2 OUTDOOR UNIT Error Method: 3-way Valve Thermistor Error	Indicate or Display: Error code : 76 Outdoor unit : No indication
--	---

Detective Actuators: Outdoor temperature thermistor	Detective details: · Outdoor temperature thermistor short or open detected
---	--

Forecast of Cause : <ol style="list-style-type: none"> 1. Connector connection failure, open 2. Thermistor failure 3. Main PCB failure
--

Check Point 1 : Check the connector connection and cable open
<input type="checkbox"/> Connector connection state check <input type="checkbox"/> Cable open check



Check Point 2 : Check the thermistor
<input type="checkbox"/> Thermistor characteristics check (Disconnect the thermistor from the PCB and check.) * For the thermistor characteristics, refer to the "Service Parts Information 8".

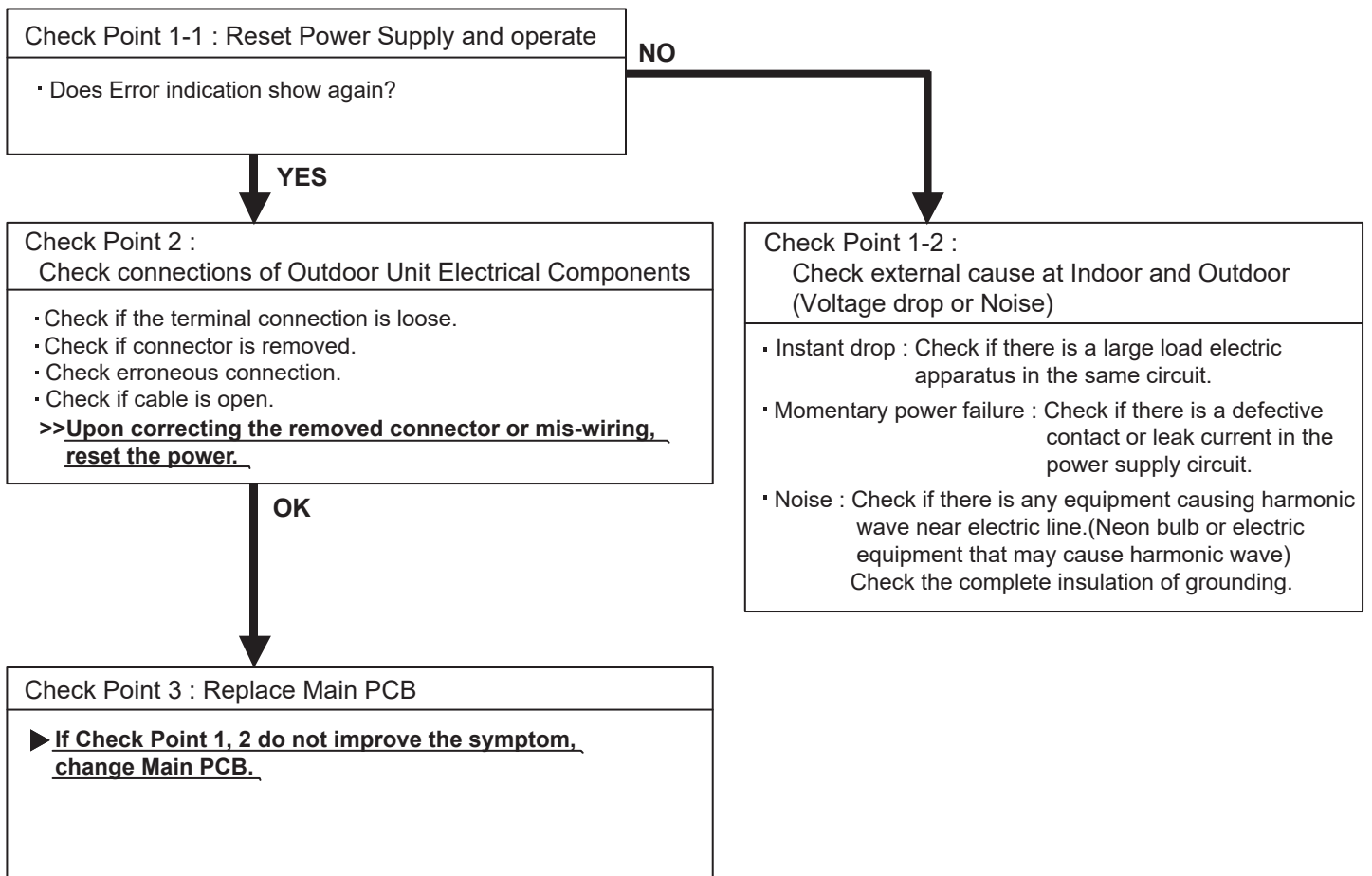


Check Point 3 : Check voltage of Main PCB (DC5.0V)																	
<input type="checkbox"/> Main PCB P6:3-4 voltage value =5V Main PCB P6:7-8 voltage value =5V <u>Remove the thermistor from Main PCB, check the voltage.</u>																	
<div style="border: 1px solid black; padding: 5px; width: fit-content; margin: 0 auto;"> <p>THERMISTOR(VALVE)</p> <p>2WV-A 3WV-A 2WV-B 3WV-B</p> <p style="margin-left: 20px;">BLACK BLACK BLACK BLACK BLACK BLACK BLACK BLACK</p> <table border="1" style="margin-left: 20px; border-collapse: collapse;"> <tr><td>1</td><td>2</td><td>3</td><td>4</td><td>5</td><td>6</td><td>7</td><td>8</td></tr> <tr><td>1</td><td>2</td><td>3</td><td>4</td><td>5</td><td>6</td><td>7</td><td>8</td></tr> </table> <p style="margin-left: 20px;">P6</p> </div>		1	2	3	4	5	6	7	8	1	2	3	4	5	6	7	8
1	2	3	4	5	6	7	8										
1	2	3	4	5	6	7	8										
<p>▶ <u>If the voltage does not appear, replace Main PCB, and execute the check operation again.</u></p>																	

Trouble shooting 27 OUTDOOR UNIT Error Method: Current sensor error	Indicate or Display: Error code : 84 Outdoor unit : No indication
--	---

Detective Actuators: Outdoor unit Main PCB	Detective details: When Input Current Sensor has detected 0A, while Inverter Compressor is operating at higher than 56rps, after 1minute upon starting the Compressor. (Except during the defrost operation)
--	--

Forecast of Cause : 1. Defective connection of electric components 2. External cause 3. Main PCB failure
--



<p>Trouble shooting 29 <u>OUTDOOR UNIT Error Method:</u> Trip detection</p>	<p><u>Indicate or Display:</u> Error code : 94 Outdoor unit : No indication</p>
--	---

<p><u>Detective Actuators:</u> Outdoor unit Main PCB Compressor</p>	<p><u>Detective details:</u> ▪ "Protection stop by overcurrent generation after inverter compressor start processing completed" generated consecutively 10 times. *The number of generations is reset if the start-up of the compressor succeeds.</p>
--	---

<p><u>Forecast of Cause :</u> 1. Outdoor unit fan operation defective, foreign matter on hear exchanger, excessive rise of ambient temperature 2.Main PCB 3.Inverter compressor failure (lock, winding short)</p>
--

<p>Check Point 1 : Check the outdoor unit fan operation, heat exchanger, ambient temperature</p> <ul style="list-style-type: none"> • No obstructions in air passages? • Heat exchange fins clogged • Outdoor unit fan motor check • Ambient temperature not raised by the effect of other heat sources? • Discharged air not sucked in?

↓ **OK**

<p>Check Point 2: Replace Main PCB</p> <p>▶ <u>If Check Point 1 do not improve the symptom, change Main PCB.</u></p>

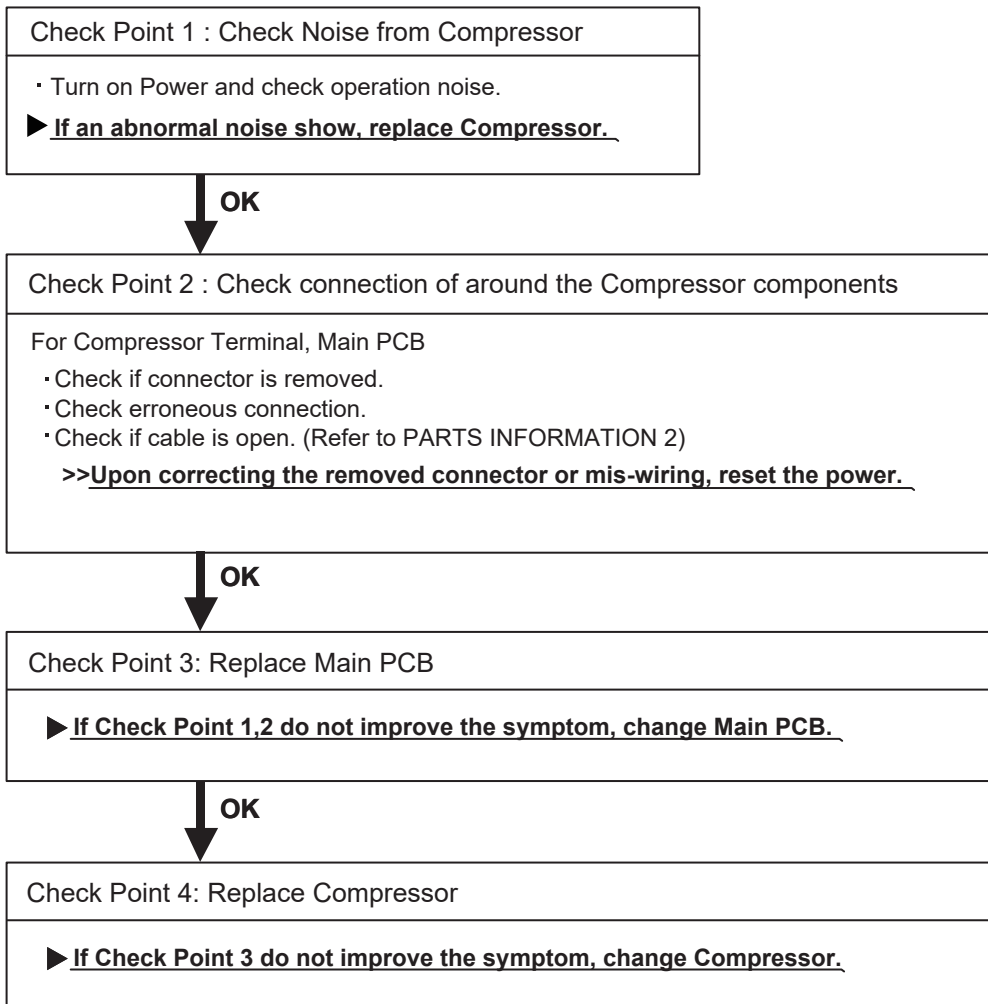
↓ **OK**

<p>Check Point 3: Replace Compressor</p> <p>▶ <u>If Check Point 2 do not improve the symptom, change Compressor.</u></p>

Trouble shooting 30 OUTDOOR UNIT Error Method: Compressor rotor position detection error	Indicate or Display: Error code : 95 Outdoor unit : No indication
---	--

Detective Actuators: Outdoor unit Main PCB Compressor	Detective details: "Protection stop by "overcurrent generation at inverter compressor starting" restart" generated consecutively 50 times x 3 sets (total 150 times)
--	---

Forecast of Cause : 1. Defective connection of electric components 2. Main PCB failure 3. Compressor failure
--



Trouble shooting 31 OUTDOOR UNIT Error Method: Outdoor Unit Fan Motor Error	Indicate or Display: Error code : 97 Outdoor unit : No indication
--	---

Detective Actuators: Outdoor unit Main PCB Outdoor unit fan motor	Detective details: ① When outdoor fan rotation speed is less than 100rpm in 20 seconds after fan motor starts, fan motor stops. ② After fan motor restarts, if the same operation within 60sec is repeated 3 times in a row, compressor and fan motor stops. ③ If ① and ② repeats 5 times in a row, compressor and fan motor stops permanently.
--	---

Forecast of Cause: 1. Fan rotation failure 2. Motor protection by surrounding temperature rise 3. Main PCB failure 4. Outdoor unit fan motor failure

Check Point 1 : Check rotation of Fan
<ul style="list-style-type: none"> • Rotate the fan by hand when operation is off. (Check if fan is caught, dropped off or locked motor) >>If Fan or Bearing is abnormal, replace it.



Check Point 2 : Check ambient temp. around motor
<ul style="list-style-type: none"> • Check excessively high temperature around the motor. (If there is any surrounding equipment that causes heat) >>Upon the temperature coming down, restart operation.



Check Point 3 : Check Outdoor unit fan motor
<ul style="list-style-type: none"> • Check Outdoor unit fan motor. (PARTS INFORMATION 5) >>If Outdoor Fan Motor is abnormal, replace Outdoor fan motor and Main PCB.



Check Point 4 : Check Output Voltage of Main PCB <ul style="list-style-type: none"> • Check outdoor unit circuit diagram and the voltage. (Measure at Main PCB side connector) 	<div style="border: 1px solid black; padding: 2px; display: inline-block;">DC</div> 																											
<div style="display: flex; align-items: center;"> <table border="1" style="margin-right: 20px;"> <tr><td>1</td><td>1</td><td>RED</td></tr> <tr><td>2</td><td>2</td><td></td></tr> <tr><td>3</td><td>3</td><td></td></tr> <tr><td>4</td><td>4</td><td>BLACK</td></tr> <tr><td>5</td><td>5</td><td>WHITE</td></tr> <tr><td>6</td><td>6</td><td>YELLOW</td></tr> <tr><td>7</td><td>7</td><td>BROWN</td></tr> </table> <div style="text-align: center;"> </div> </div>	1	1	RED	2	2		3	3		4	4	BLACK	5	5	WHITE	6	6	YELLOW	7	7	BROWN	<table border="1" style="width: 100%;"> <thead> <tr> <th>Read wire</th> <th>DC voltage</th> </tr> </thead> <tbody> <tr> <td>Red - Black</td> <td>280V (AC220V-10%) ~ 373V (AC240+10%)</td> </tr> <tr> <td>White - Black</td> <td>15 ± 1.5V</td> </tr> </tbody> </table>	Read wire	DC voltage	Red - Black	280V (AC220V-10%) ~ 373V (AC240+10%)	White - Black	15 ± 1.5V
1	1	RED																										
2	2																											
3	3																											
4	4	BLACK																										
5	5	WHITE																										
6	6	YELLOW																										
7	7	BROWN																										
Read wire	DC voltage																											
Red - Black	280V (AC220V-10%) ~ 373V (AC240+10%)																											
White - Black	15 ± 1.5V																											
▶ If the voltage is not correct, replace Main PCB.																												

Trouble shooting 32 OUTDOOR UNIT Error Method: 4-Way Valve Error	Indicate or Display: Error code : 99 Outdoor unit : No indication
---	---

Detective Actuators: Indoor Unit Controller PCB Circuit Heat Exchanger Temperature Thermistor Room Temperature Thermistor 4-way valve	Detective details: When the indoor heat exchanger temperature is compared with the room temperature, and either following condition is detected continuously two times, the compressor stops. ▪ Cooling or Dry operation [Indoor heat exchanger temp.] - [Room temp.] > 10°C ▪ Heating operation [indoor heat exchanger temp.] - [Room temp.] < -10°C If the same operation is repeated 5 times, the compressor stops permanently.
--	---

Forecast of Cause : 1. Connector connection failure 2. Thermistor failure 3. Coil failure 4. 4-way valve failure 5. Main PCB failure
--

Check Point 1 : Check connection of Connector

- Check if connector is removed.
- Check erroneous connection.
- Check if thermistor cable is open.

>> **Upon correcting the removed connector or mis-wiring, reset the power.**



Check Point 2 : Check thermistor of Indoor unit

- Isn't it fallen off the holder?
- Is there a cable pinched?

>> **Check characteristics of thermistor, (Refer to Trouble shooting 14,15), If defective, replace the thermistor.**



Check Point 3 : Check the solenoid coil and 4-way valve

[Solenoid coil]

- Remove P60 from PCB and check the resistance value of coil.
Resistance value is about 2.78 kΩ

>> **If it is Open or abnormal resistance value, replace Solenoid Coil.**

[4-way valve]

- Check each piping temperature, and the location of the valve by the temperature difference.

>> **If the value location is not proper, replace 4-way valve.**



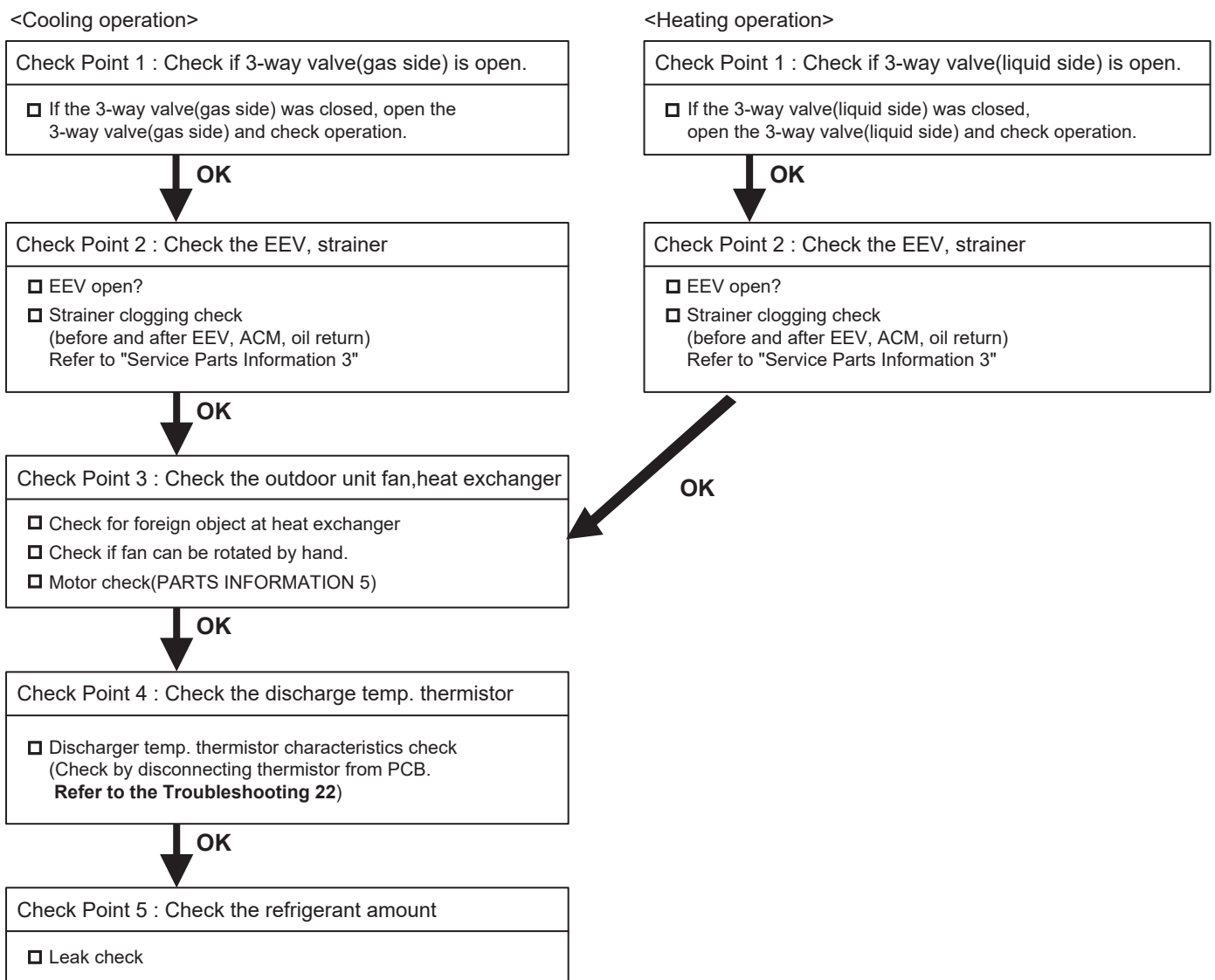
Check Point 4 : Replace Main PCB

▶ **If Check Point 1- 3 do not improve the symptom, replace Main PCB.**

Trouble shooting 33 <u>OUTDOOR UNIT Error Method:</u> Discharge Temp. Error	<u>Indicate or Display:</u> Error code : A1 Outdoor unit : No indication
--	--

<u>Detective Actuators:</u> Discharge temperature thermistor	<u>Detective details:</u> ▪ "Protection stop by "discharge temperature \geq 110°C during compressor operation"" generated 2 times within 24 hours.
--	--

<u>Forecast of Cause :</u>	<ol style="list-style-type: none"> 1. 3-way valve not opened 2. EEV defective, strainer clogged 3. Outdoor unit operation failure, foreign matter on heat exchanger 4. Discharge temperature thermistor failure 5. Insufficient refrigerant
-----------------------------------	--



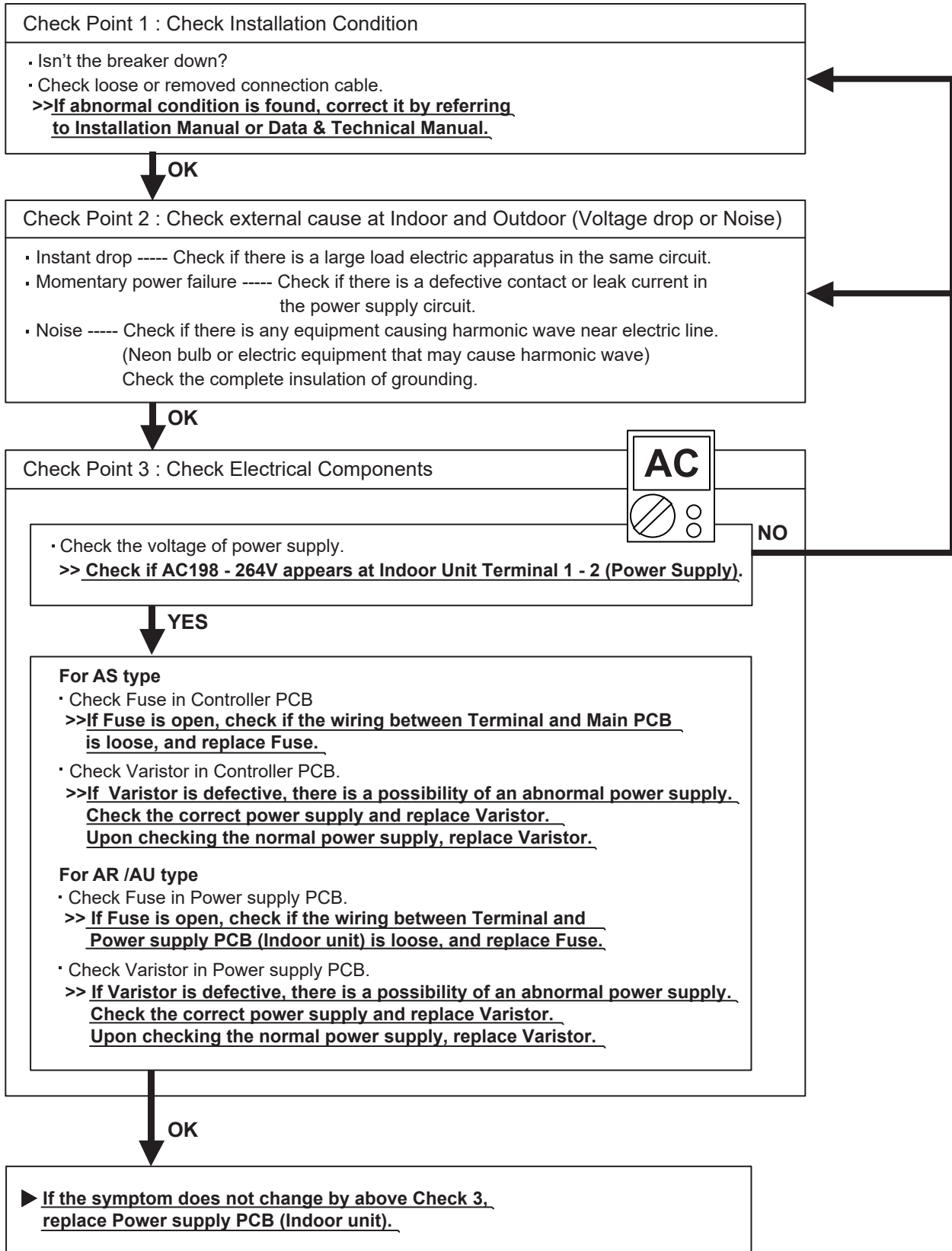
2-3 TROUBLESHOOTING WITH NO ERROR CODE

Trouble shooting 34

Indoor Unit - No Power

Forecast of Cause:

1. Power Supply failure
2. External cause
3. Electrical Components defective

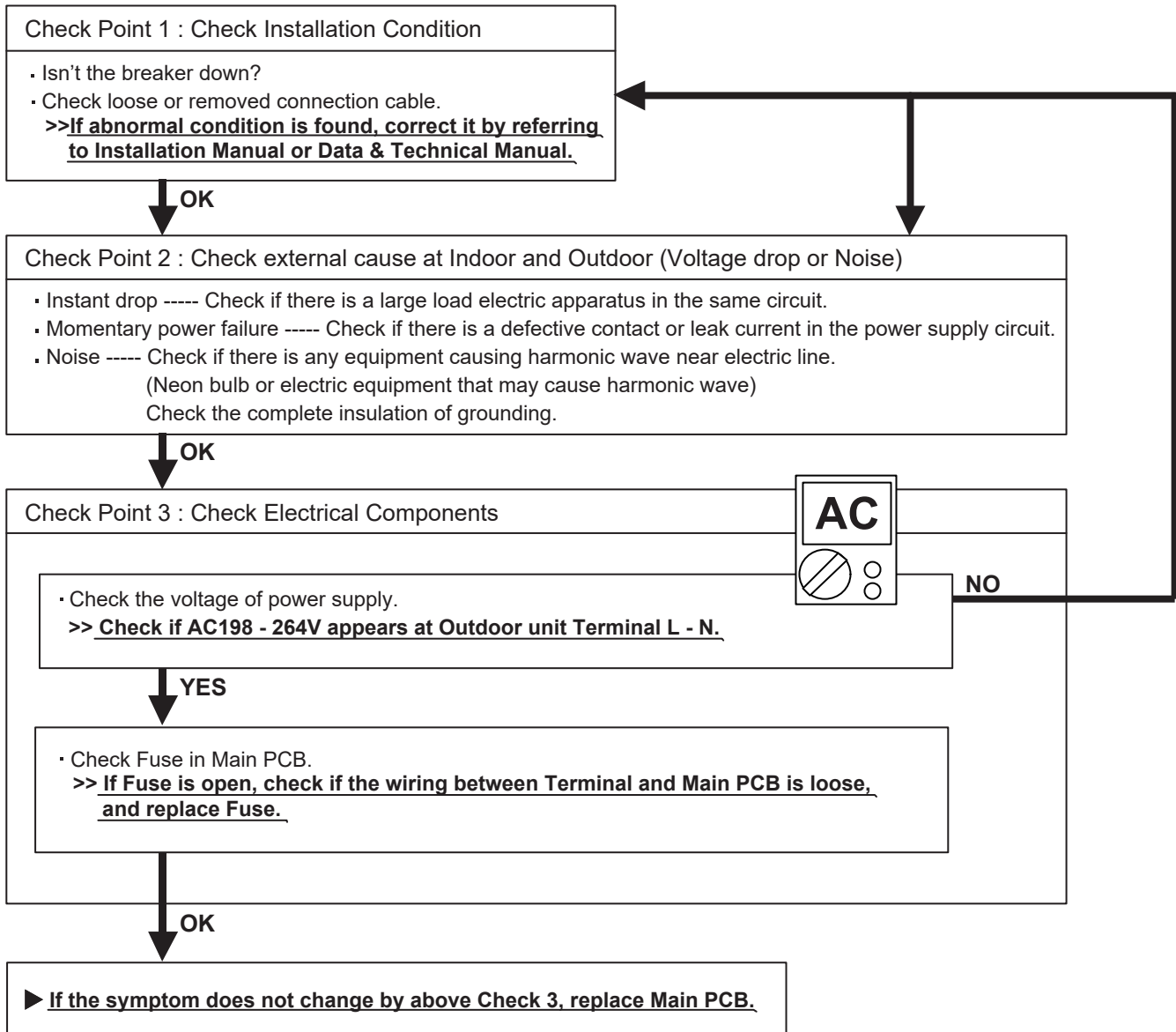


Trouble shooting 35

Outdoor unit - No Power

Forecast of Cause:

1. Power Supply failure
2. External cause
3. Electrical Components defective



Trouble shooting 36

No Operation (Power is ON)

Forecast of Cause:

1. Setting/ Connection failure
2. External cause
3. Electrical Component defective

Check Point 1 : Check indoor and outdoor installation condition

- Indoor Unit - Check incorrect wiring between Indoor Unit - Remote Control.
Or, check if there is an open cable connection.
- Are these Indoor Unit, Outdoor Unit, and Remote Control suitable model numbers to connect?
>> **If there is some abnormal condition, correct it by referring to Installation manual and Data & Technical Manual.**

OK

Turn off Power and check/ correct followings.

- Is there loose or removed communication line of Indoor Unit and Outdoor Unit?

OK

Check Point 2 : Check external cause at Indoor and Outdoor (Voltage drop or Noise)

- Instant drop ----- Check if there is a large load electric apparatus in the same circuit.
- Momentary power failure ----- Check if there is a defective contact or leak current in the power supply circuit.
- Noise ----- Check if there is any equipment causing harmonic wave near electric line.
(Neon bulb or electric equipment that may cause harmonic wave)
Check the complete insulation of grounding.

OK

Check Point 3 : Check Wired Remote Controller and Controller PCB

For AS* G __ KGTB

- Check Voltage at CN300 (Terminal 1-2) of UTY-TWRXZ2 (Communication kit).
(Power supply to Remote control)
>> If it is DC12V, Remote control is failure. (Controller PCB is normal) >> Replace Remote control
>> If it is DC 0V, Controller PCB is failure. (Check Remote control once again) >> Replace Controller PCB



For AS* G __ KMTB

- Check Voltage at CNC01 (Terminal 1-3) of UTY-TWBXF2 (Communication kit).
(Power supply to Remote control)
>> If it is DC13V, Remote control is failure. (Controller PCB is normal) >> Replace Remote control
>> If it is DC 0V, Controller PCB is failure. (Check Remote control once again) >> Replace Controller PCB

For AR type

- Check Voltage at CN300 of Controller PCB. (Terminal 1-3, Terminal 1-2)
(Power supply for the Remote Control)
>> If it is DC13V, Remote control is failure. (Controller PCB is normal) >> Replace Remote control
>> If it is DC 0V, Controller PCB is failure. (Check Remote control once again) >> Replace Controller PCB

For AU type

- Check Voltage at CN14 of Controller PCB. (Terminal 1-3, Terminal 1-2)
(Power supply for the Remote Control)
>> If it is DC12V, Remote control is failure. (Controller PCB is normal) >> Replace Remote control
>> If it is DC 0V, Controller PCB is failure. (Check Remote control once again) >> Replace Controller PCB

>> **If the symptom does not change by above Check 1, 2, 3, replace Main PCB of Outdoor unit.**

Trouble shooting 37

No Cooling / No Heating

Forecast of Cause:

1. Indoor Unit error
2. Outdoor Unit error
3. Effect by Surrounding environment
4. Connection Pipe / Connection Wire failure
5. Refrigeration cycle failure

Check Point 1 : Check Indoor Unit

- Does Indoor unit FAN run on HIGH FAN?
- Is Air Filter dirty?
- Is Heat Exchanger clogged?
- Check if Energy save function is operated.



Check Point 2 : Check Outdoor Unit Operation

- Check if Outdoor Unit is operating
- Check any objects that obstruct the air flow route.
- Check clogged Heat Exchanger.
- Is the Valve open?



Check Point 3 : Check Site Condition

- Is capacity of Indoor unit fitted to Room size?
- Any windows open? Or direct sunlight ?



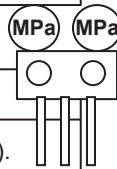
Check Point 4 : Check Indoor/ Outdoor Installation Condition

- Check connection pipe (specified pipe length & Pipe diameter?)
- Check any loose or removed communication line.
- >> **If there is an abnormal condition, correct it by referring to Installation Manual or Data & Technical Manual.**



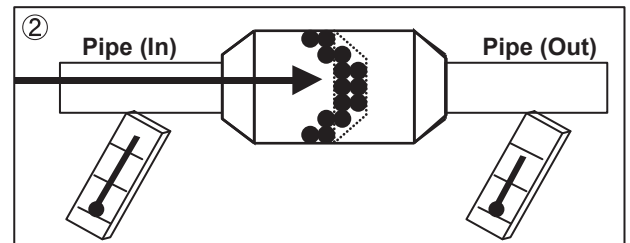
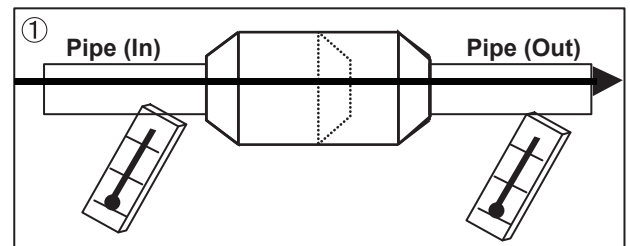
Check Point 5 : Check Refrigeration cycle

- Check if Strainer is clogged (Refer to the figure at right).
- Measure Gas Pressure and if there is a leakage, correct it.
- >> **When recharging the refrigerant, make sure to perform vacuuming, and recharge the specified amount.**
- Check EEV (PARTS INFORMATION 3)
- Check Compressor (PARTS INFORMATION 1,2)



Attention

Strainer normally does not have temperature difference between inlet and outlet as shown in ①, but if there is a difference like shown in ②, there is a possibility of inside clogged. In this case, replace Strainer.



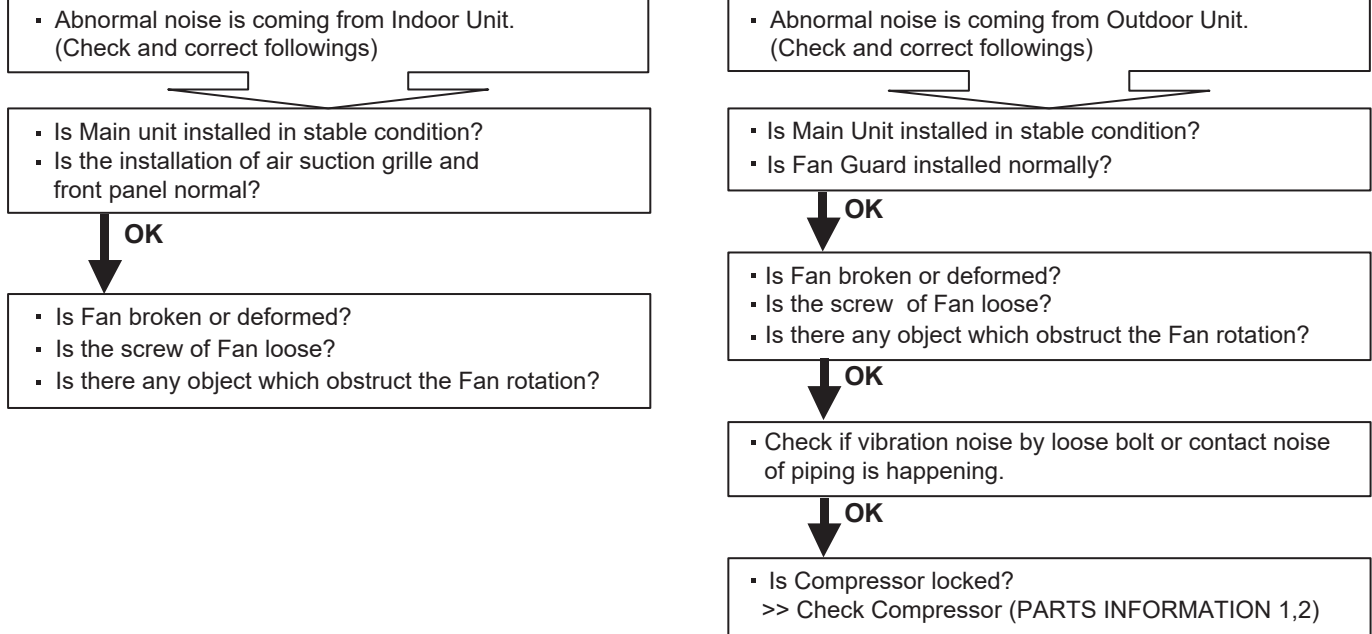
Trouble shooting 38

Abnormal Noise

Forecast of Cause :

1. Abnormal installation (Indoor/ Outdoor)
2. Fan failure (Indoor/ Outdoor)
3. Compressor failure (Outdoor)

Diagnosis method when Abnormal Noise is occurred



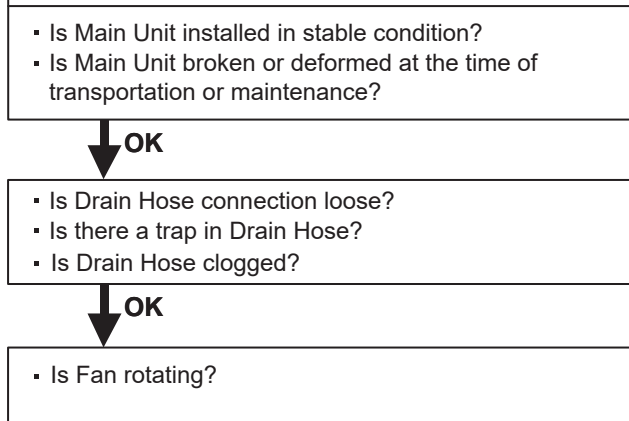
Trouble shooting 39

Water Leaking

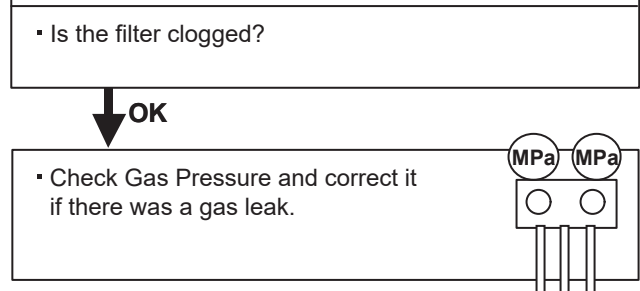
Forecast of Cause:

1. Erroneous installation
2. Drain hose failure

Diagnosis method when water leak occurs



Diagnosis method when water is spitting out.

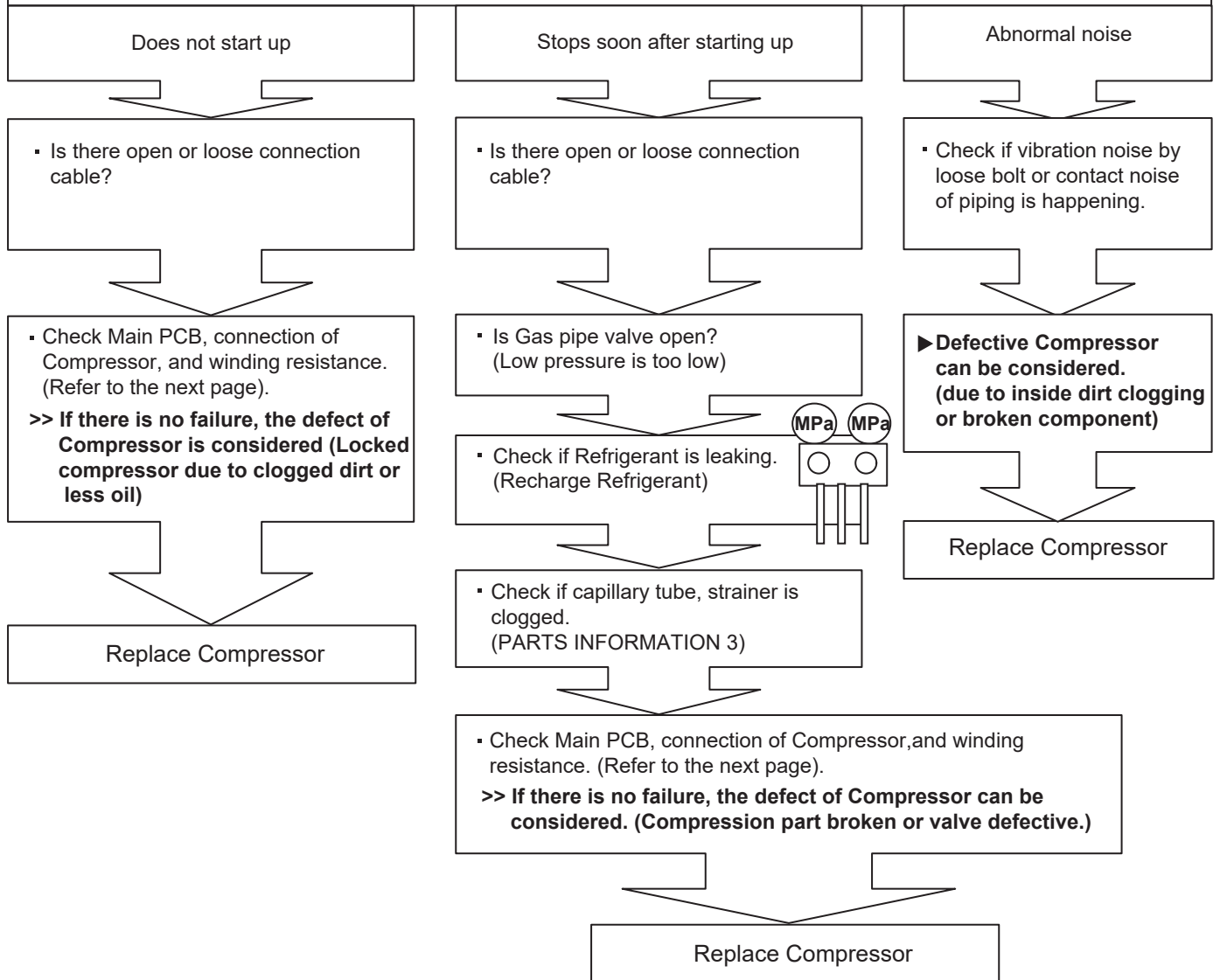


2-4 SERVICE PARTS INFORMATION

SERVICE PARTS INFORMATION 1

Compressor

Diagnosis method of Compressor (If Outdoor Unit LED displays Error, refer to Trouble shooting)

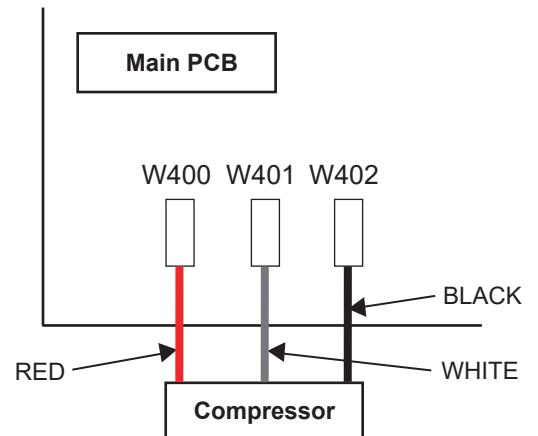
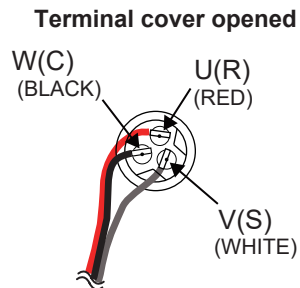
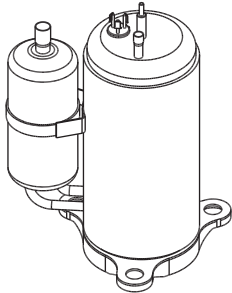


SERVICE PARTS INFORMATION 2

Inverter Compressor

Check Point 1 : Check Connection

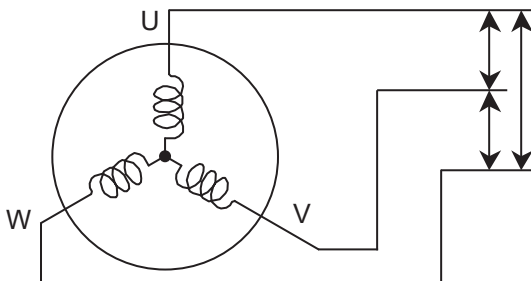
- Check terminal connection of Compressor (loose or incorrect wiring)



Check Point 2 : Check Winding Resistance

- Check winding resistance of each terminal

► **If the resistance value is 0Ω or infinite, replace Compressor.**



Resistance Value :

1.975 Ω at 25°C (14 type)

1.91 Ω at 20°C (18 type)



Check Point 3 : Replace Main PCB

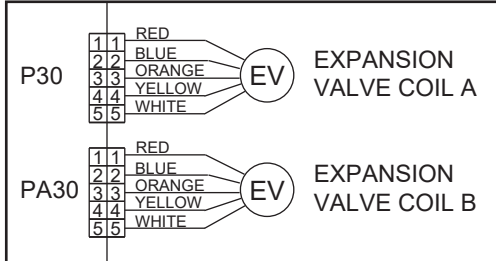
► **If the symptom does not change with above Check 1, 2, replace Main PCB.**

SERVICE PARTS INFORMATION 3

Outdoor unit Electronic Expansion Valve (EEV)

Check Point 1 : Check Connections

- Check connection of connector (Loose connector or open cable)



Check Point 2 : Check Coil of EEV

- Remove connector, check each winding resistance of Coil.

Read wire	Resistance value
White - Red	$46 \Omega \pm 4 \Omega$ at 20°C
Yellow - Red	
Orange - Red	
Blue - Red	

► **If Resistance value is abnormal, replace EEV.**

Check Point 3 : Check Noise at start up

- Turn on Power and check operation noise.
- **If an abnormal noise does not show, replace Main PCB.**

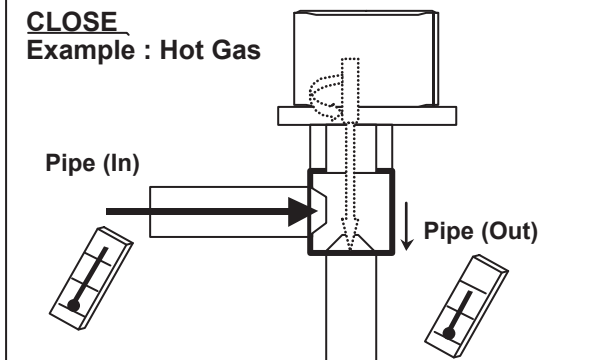
Check Point 4 : Check Voltage from Main PCB.

- Remove Connector and check Voltage (DC12V)
- **If it does not appear, replace Main PCB.**

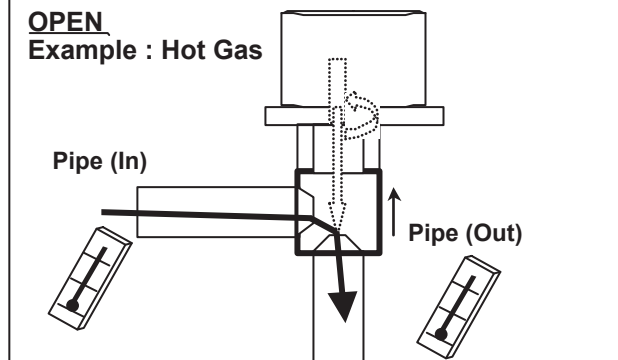


Check Point 5 : Check Opening and Closing Operation of Valve

When Valve is closed, it has a temp. difference between Inlet and Outlet.

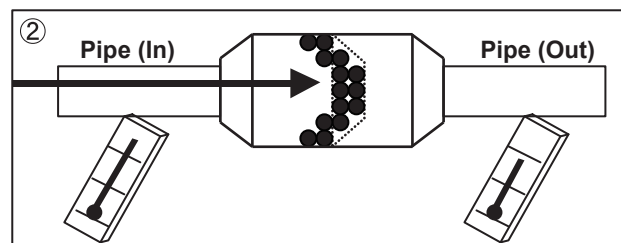
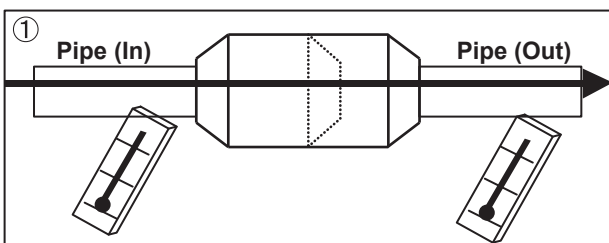


If it is open, it has no temp. difference between Inlet and Outlet.



Check Point 6 : Check Strainer

Strainer normally does not have temperature difference between inlet and outlet as shown in ①, but if there is a difference as shown in ②, there is a possibility of inside clogged. In this case, replace Strainer.



SERVICE PARTS INFORMATION 4

Indoor unit fan motor

Check Point 1 : Check rotation of Fan

- Rotate the fan by hand when operation is off.
(Check if fan is caught, dropped off or locked motor)
- >>If Fan or Bearing is abnormal, replace it.**

Check Point 2 : Check resistance of Indoor unit Fan Motor

- Refer to below. Circuit-test "Vm" and "GND" terminal.
(Vm: DC voltage, GND: Earth terminal)
- >>If they are short-circuited (below 300 kΩ), replace Indoor unit fan motor and Controller PCB.**

Pin number (wire color)	Terminal function (symbol)
1 (Red)	DC voltage(Vm)
2	No function
3	No function
4 (Black)	(GND)
5 (White)	Control voltage (Vcc)
6 (Yellow)	Speed command (Vsp)
7 (Brown)	Feed back (FG)



SERVICE PARTS INFORMATION 5

Outdoor unit fan motor

Check Point 1 : Check rotation of Fan

- Rotate the fan by hand when operation is off.
(Check if fan is caught, dropped off or locked motor)
- >>If Fan or Bearing is abnormal, replace it.**

Check Point 2 : Check resistance of Outdoor Fan Motor

- Refer to below. Circuit-test "Vm" and "GND" terminal.
(Vm: DC voltage, GND: Earth terminal)
- >>If they are short-circuited (below 300 kΩ), replace Outdoor fan motor and Main PCB.**

Pin number (wire color)	Terminal function (symbol)
1 (Red)	DC voltage (Vm)
2	No function
3	No function
4 (Black)	Earth terminal (GND)
5 (White)	Control voltage (Vcc)
6 (Yellow)	Speed command (Vsp)
7 (Brown)	Feed back (FG)



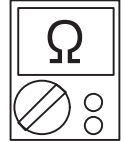
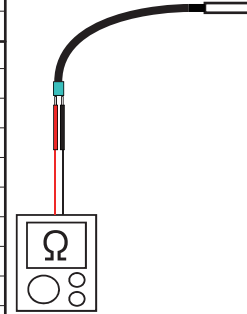
SERVICE PARTS INFORMATION 8

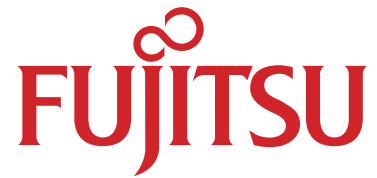
Thermistor

Check Point : Check Thermistor resistance value

□ Remove connector and check Thermistor resistance value.

Temperature [°C]	Resistance Value [kΩ]			
	Thermistor A	Thermistor B	Thermistor C	Thermistor D
-30	1013.1	95.6	224.3	1013.1
-20	531.6	50.3	115.2	531.6
-10	292.9	27.8	62.3	292.9
0	168.6	16.1	35.2	168.6
10	100.9	9.6	20.7	100.9
20	62.5	6.0	12.6	62.5
30	40.0	3.8	8.0	40.0
40	26.3	2.5	5.2	26.3
50	17.8	1.7	3.5	17.8
60	12.3	1.2	2.4	12.3
70	8.7	0.8	1.6	8.7
80	6.3	0.6	1.2	6.3
90	4.6	---	---	---
100	3.4	---	---	---
110	2.6	---	---	---
120	2.0	---	---	---
Applicable Thermistors	Discharge temp. TH Comp. temp. TH	Heat exchanger. TH	Outdoor temp. TH	2-way valve TH 3-way valve TH





FUJITSU GENERAL LIMITED

3-3-17, Suenaga, Takatsu-ku, Kawasaki 213-8502, Japan