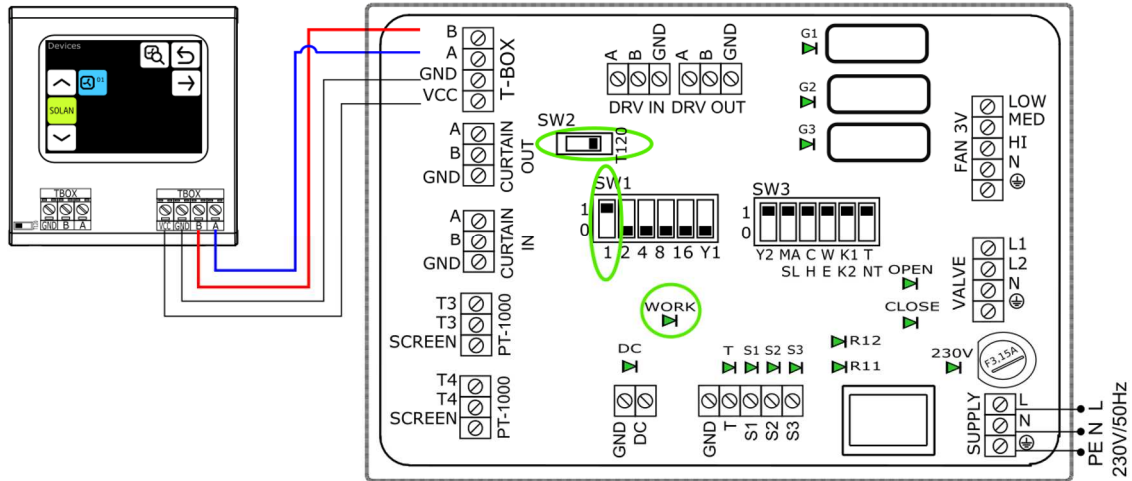


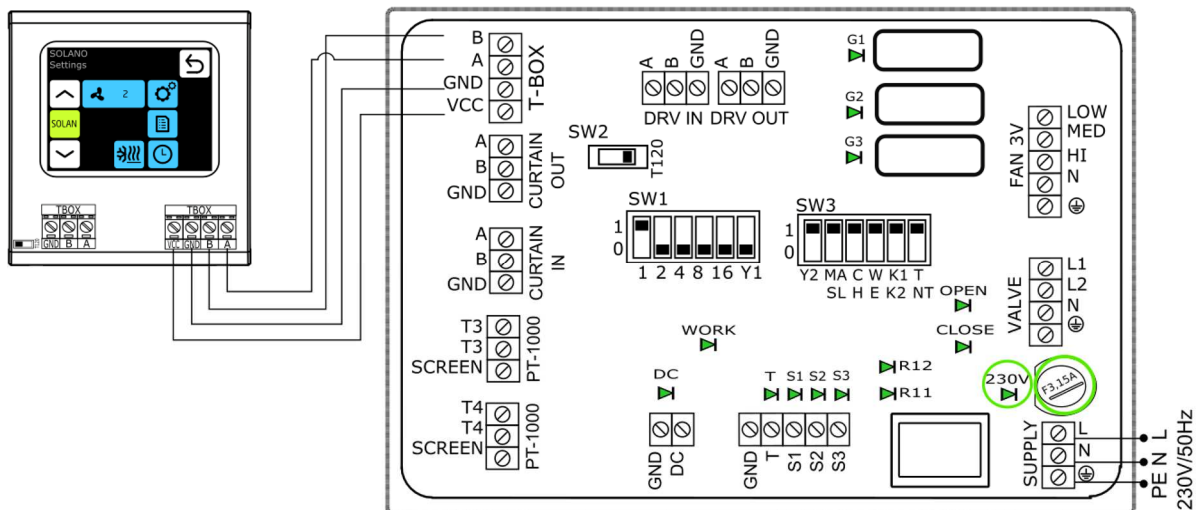
## TROUBLESHOOT SOLANO S-TOUCH + S-ECM

### CONNECTION PROBLEM BETWEEN S-TOUCH AND S-ECM OR UNABLE TO FIND UNIT:

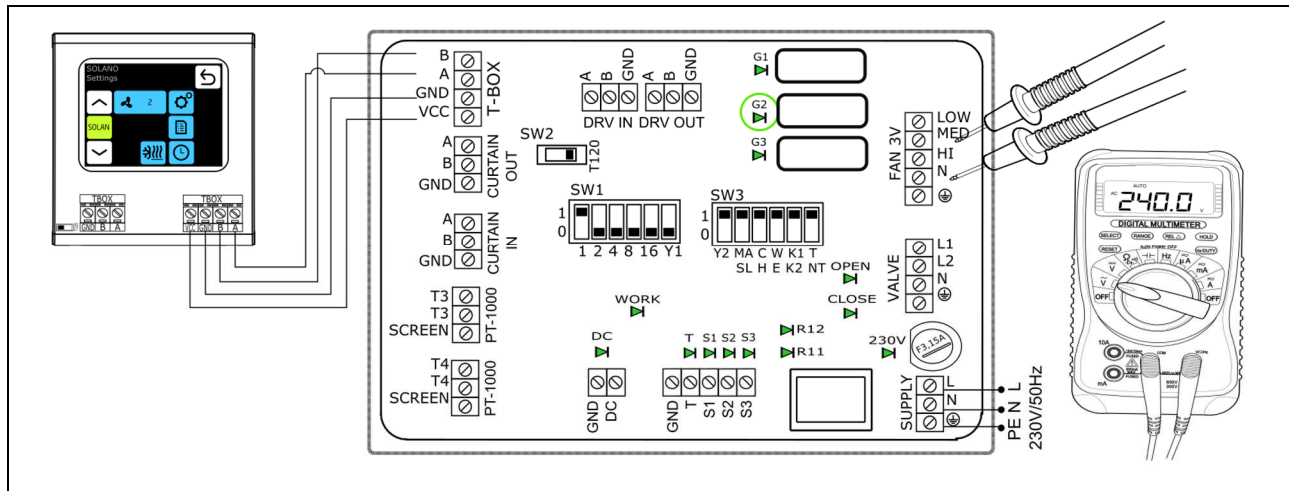


	CHECK [Yes/No]
1. Check connection between S-TOUCH and S-ECM: A-A and B-B needs to be connected correctly! See diagram above.	
2. Set a unique address on each S-ECM on SW1.	
3. Set SW2 to the right position (T120) if it is the last S-ECM in line.	
4. Check if all dipswitches on SW3 are in the top position for electric heaters version dipswitch no. 4 should be on bottom position – E).	
5. Check if LED "WORK" is blinking.	
6. Search for the unit(s) on S-TOUCH and confirm it by press OK.	

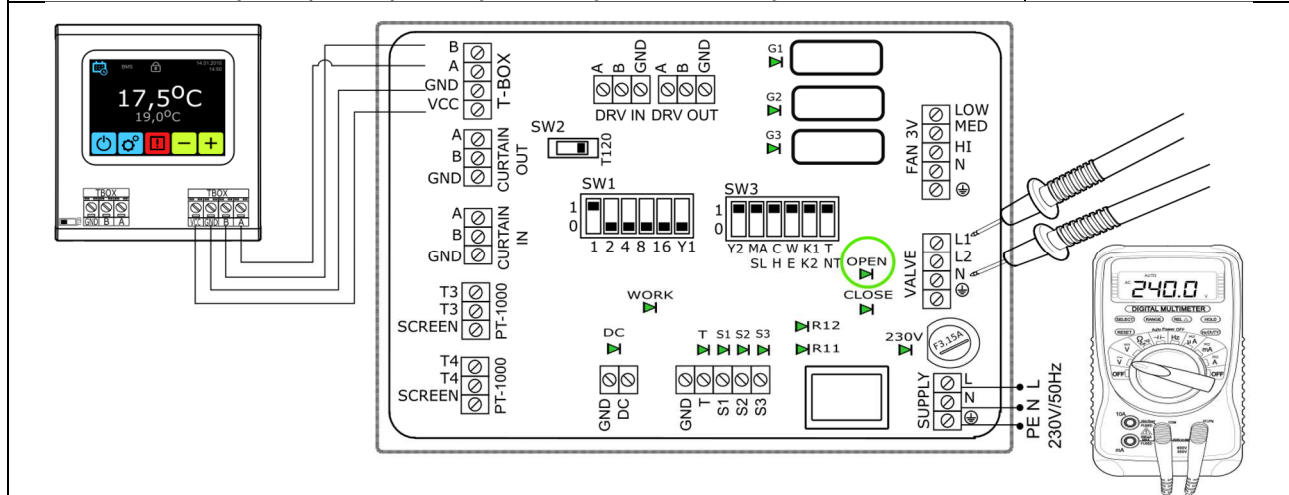
### FAN/HEATER DOES NOT WORK:



	CHECK [Yes/No]
7. Check polarity of connector "SUPPLY"	
8. Check if LED 230V is on.	
9. Check if fuse 3,15 A is not damaged	



	CHECK [Yes/No]
10. Set S-TOUCH on fan speed of choice (LOW (1)/MED (2)/HIGH (3)).	
11. Check if the corresponding LED, next to the white relay, is lit (G1 = LOW, G2= MED, G3=HIGH).	
12. Measure voltage on connector "FAN 3V" between set fan speed connection (LOW/MED/HIGH) and N (220-240VAC).	



	CHECK [Yes/No]
13. Check if desired temperature (setpoint) on S-TOUCH is higher than measured temperature	
14. Check if LED "OPEN", next to the black relay, is lit	
15. Measure voltage on connector "VALVE" between L1 and N (220-240 VAC)	

**OTHER PROBLEMS:**

If connection between S-TOUCH and S-ECM doesn't work proper after performing steps above. Please contact CAIROX BELGIUM directly via [engineering@cairox.be](mailto:engineering@cairox.be) or +32 (0)2 711 94 43 (NL) / +32 (0)71 49 22 23 (FR)

If there are alarms on S-TOUCH, check alarm list descriptions in manual.

Checking proper functionality of the door contact: DC contact is closed = door is open and LED "DC" is lit