

AIR CONDITIONER OPTIONAL PARTS



PART No. 9380828068

Terminal block kit for 2-wire remote controller

INSTALLATION MANUAL

For authorized service personnel only.

Contents

1. SAFETY PRECAUTIONS	1
2. ABOUT THE UNIT	
2.1. Parts and accessories.....	1
3. INSTALLATION WORK	
3.1. Front panel, control box cover removal.....	2
3.2. Installing the terminal block.....	2
3.3. Connecting the remote controller cable	3
3.4. Installing the communication PCB to the indoor unit main PCB	4
3.5. Front panel, control box cover replacement.....	4

1. SAFETY PRECAUTIONS

- Hand this manual to the customer to keep for future use, such as for relocating or repairing the product.


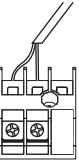

⚠ WARNING	Indicates a potentially or imminently hazardous situation which, if not avoided, could result in death or serious injury.
For the air conditioner to operate satisfactorily, install it as outlined in this installation manual.	
Installation work must be performed in accordance with national wiring standards by authorized personnel only.	
Do not turn on the power until all installation work is complete.	
Discharge static electricity before the installation.	

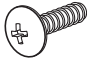

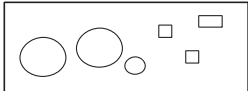
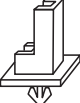
⚠ CAUTION	Indicates a potentially hazardous situation that may result in minor or moderate injury or damage to property.
Do not wire the terminal block kit wire together with or parallel to the connection cables, transmission cables, remote controller cables, bus wire, and power supply cables of the indoor and outdoor units. It may cause erroneous operation.	
Do not touch the aluminum fin in the indoor unit.	
When installing, do not cut or pinch the wires with the front panel or control box cover. An electric shock may occur if wires are damaged.	

2. ABOUT THE UNIT

2.1. Parts and accessories

- The following installation parts are supplied. Use them as required.

Name and shape	Q'ty	Description
Installation manual 	1	This manual
Terminal block (with wire) 	1	For connecting the wired remote control unit to the indoor unit main PCB.
Screw (M4x25) 	1	For installing the terminal block to the indoor unit.

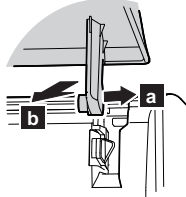
Name and shape	Q'ty	Description
Screw (M4x14) 	1	For installing the cable to the indoor unit.
Cable clasper 	1	For installing the cable to the indoor unit.
Communication PCB 	1	For connecting the remote controller to the indoor unit.
Holder 	2	For attaching the communication PCB to the main PCB.

3. INSTALLATION WORK

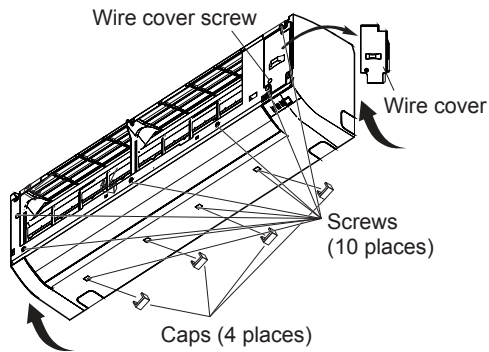
3.1. Front panel, control box cover removal

- (1) Open the intake grille. While gently pressing the left and right mounting shafts of the intake grille outward "a", remove the intake grille in direction of the arrow "b".

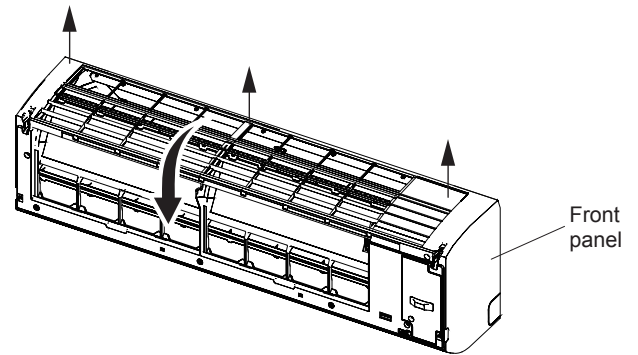
Intake grill removal



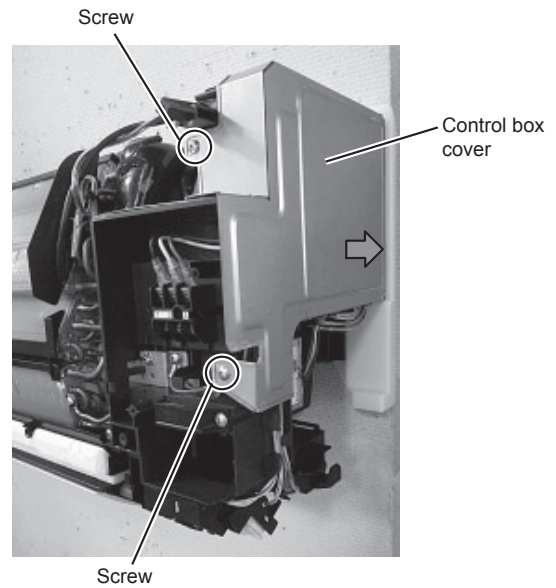
- (2) Remove 4 caps.
- (3) Remove wire cover screw, then remove the wire cover.
- (4) Remove 10 screws.



- (5) Pull the front panel forward raising the upper surface, to remove the front panel.

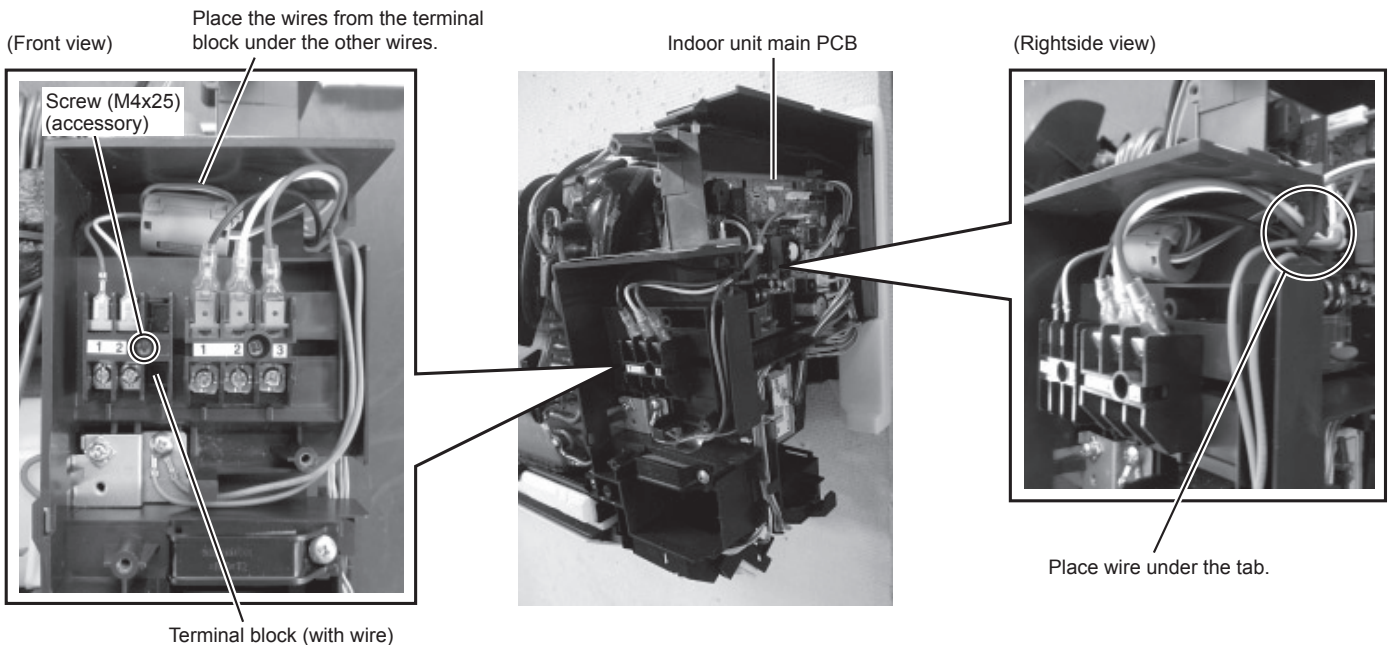


- (6) Remove 2 screws, then remove the control box cover.

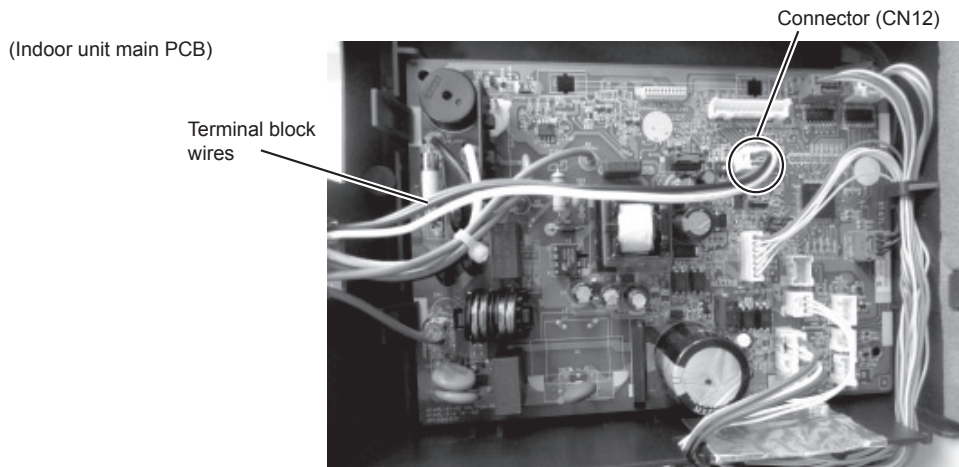


3.2. Installing the terminal block

- (1) Attach the terminal block to the indoor unit firmly with 1 screw (M4x25, accessory).
- (2) Place the wiring as per the figure.



(3) Connect the wires from the terminal block to the indoor unit main PCB by inserting to connector (CN12).



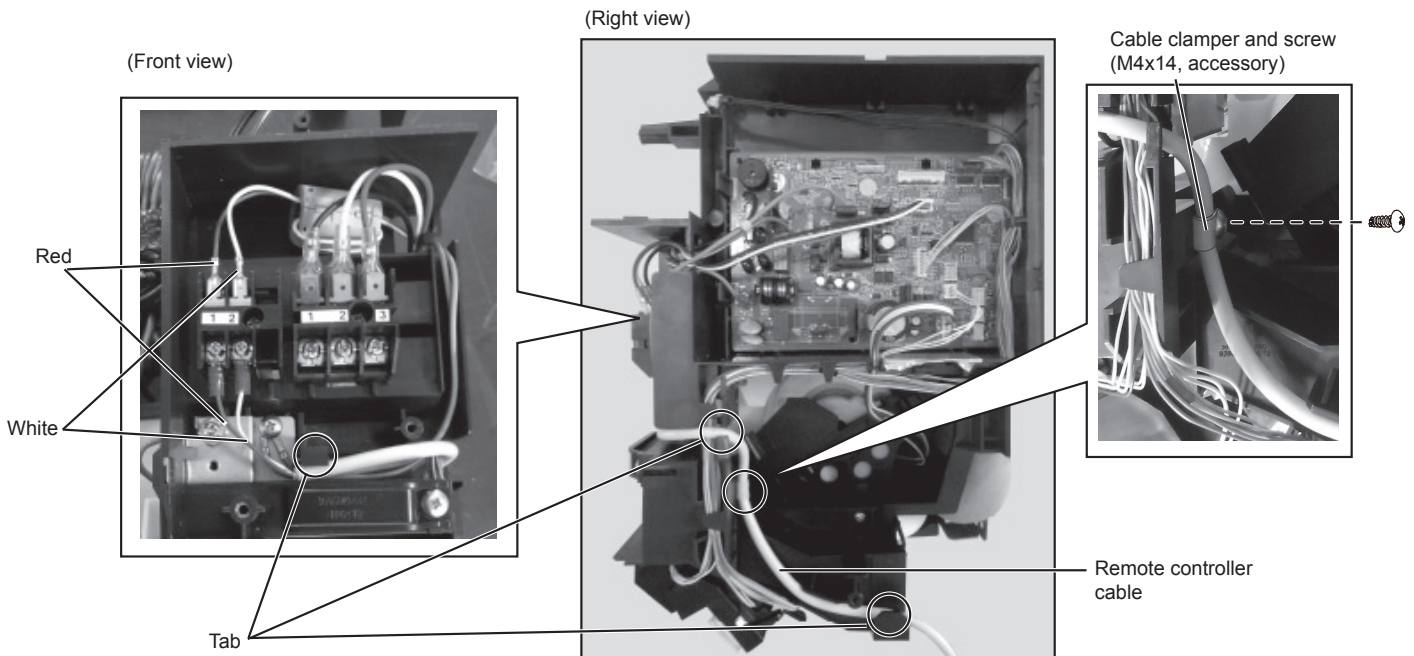
⚠ CAUTION

Be careful not to damage the parts on the board. Otherwise, it will cause malfunction.

Ensure that the connector is properly inserted. Otherwise, it may result in erroneous operation.

3.3. Connecting the remote controller cable

- (1) Attach the remote controller cable to the terminal block. Position the wires so that the colors match.
For details, refer to the installation manual of the remote controller.
- (2) Install the cable as shown in the following photographs. Be sure to place the wiring under the tabs.
- (3) Fix the cable with the cable clumper and screw (M4x14, accessory).



⚠ CAUTION

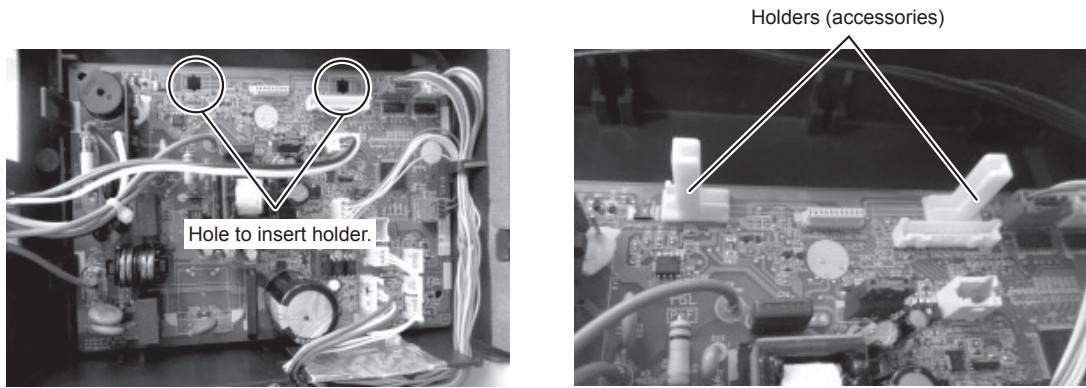
Do not connect the wired remote controller to the terminal for power supply.

When connecting the wired remote controller with the indoor unit, please use the connecting cable supplied with the wired remote controller.

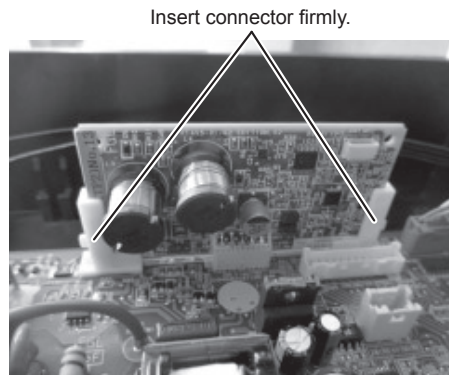
Recommended cable length of wired remote controller is 10m. Make sure to insulate the connecting parts when extending the cable.

3.4. Installing the communication PCB to the indoor unit main PCB

(1) Attach the holders (accessories) to the indoor unit main PCB.



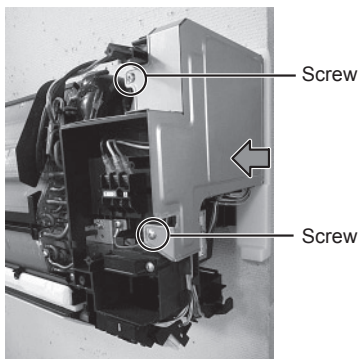
(2) Insert the communication PCB between the holders. Be sure to insert it firmly.



3.5. Front panel, control box cover replacement

Reinstall by reversing the procedure in "3.1. Front panel, control box cover removal"

(1) Replace the control box cover (2 screws).



(2) Open a hole in the front panel for the remote controller cable to pass through.
* Choose from 4 knockout holes marked on the inside of the front panel.

(3) Replace the front cover.
First, insert the hook on the lower part of the front panel (5 places), then fit the hooks on the top (3 places).

(4) Replace the 10 screws.
(5) Replace the wire cover (1 screw).
(6) Replace the 4 caps.
(7) Replace the intake grille.

