



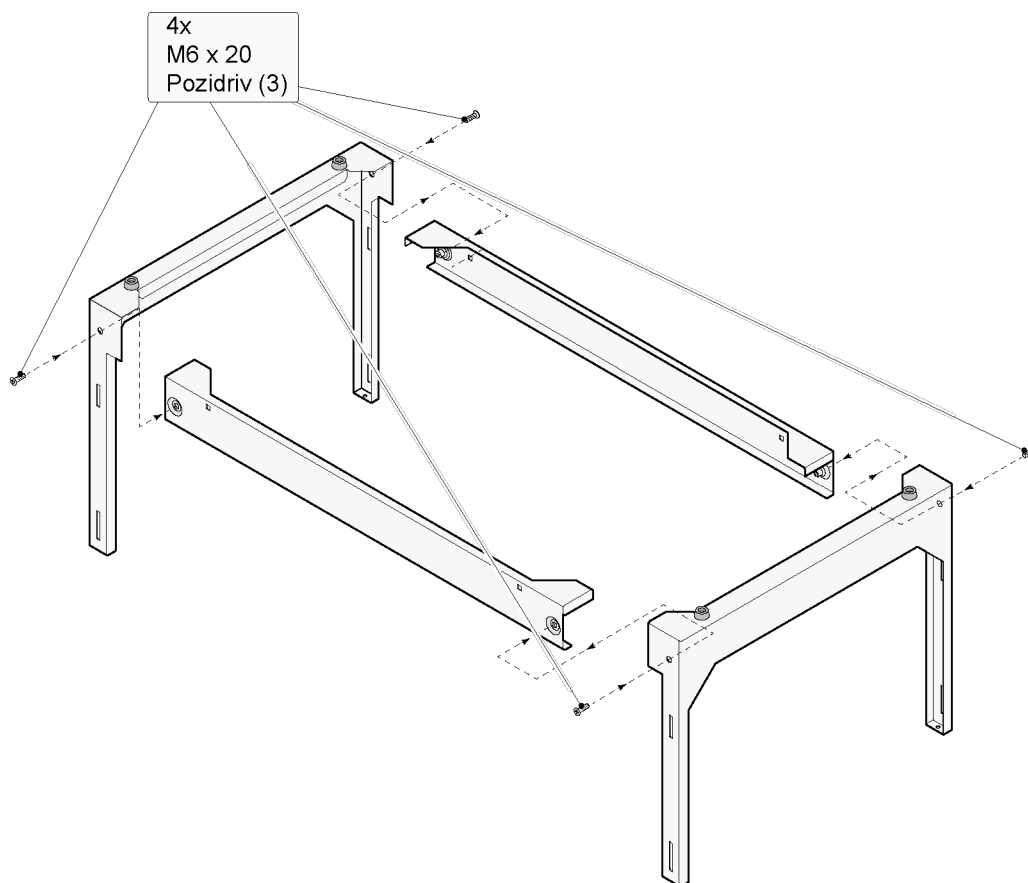
Installation regulations

Flair mounting frame
English



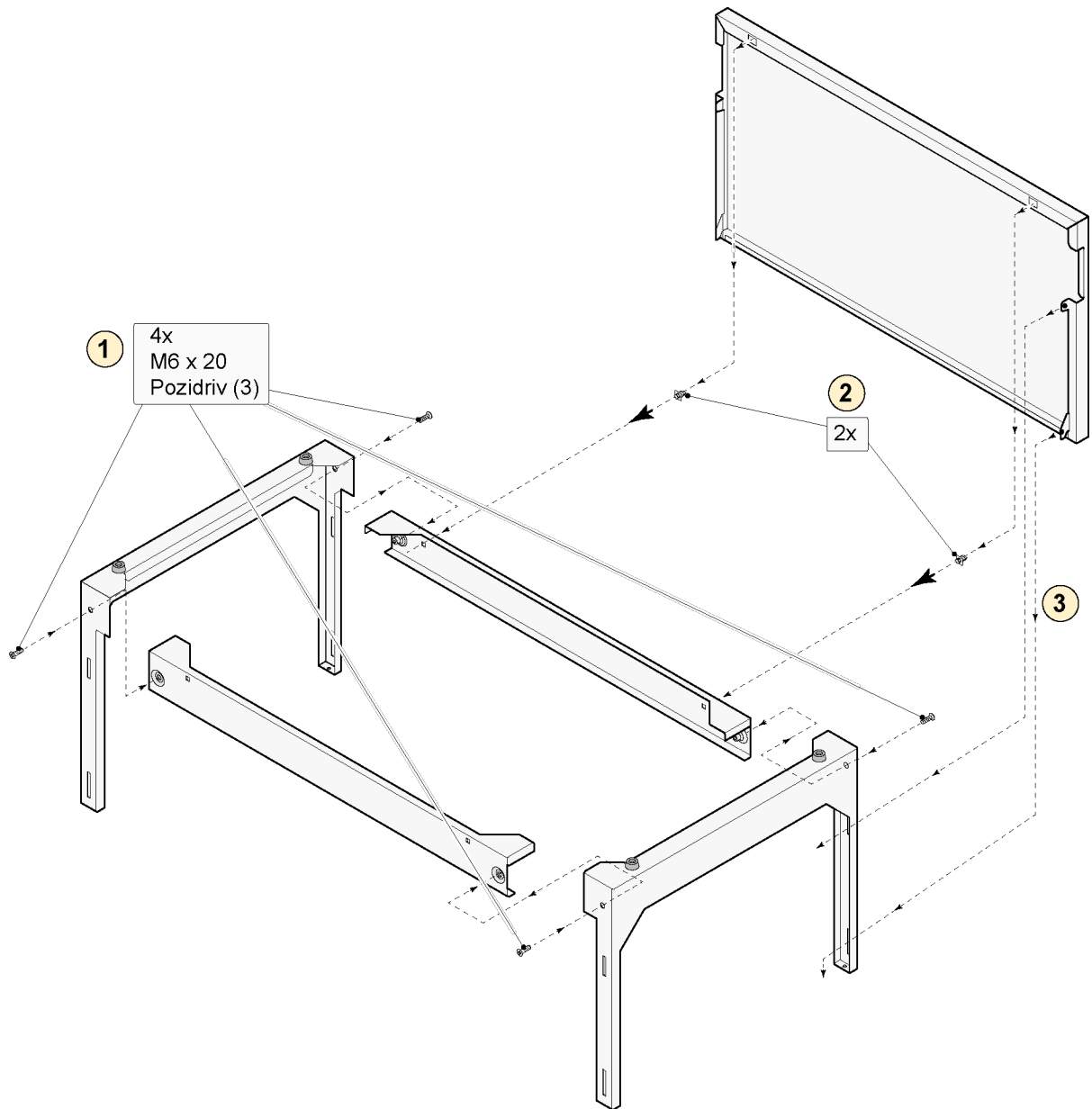
Air for Life

Code: 532708



Flair mounting frame 614856-A

Code: 532709





Brink Climate Systems BV
P.O. Box 11 NL-7950AA Staphorst
T +31 (0) 522 46 99 44

E info@brinkclimatesystems.com
www.brinkclimatesystems.com
www.brinkairforlife.com