


FLR-RF POSSIBILITIES

FLR-RF **FLAIR**
 **CHR PRO**





FLR-RF USB (Max. 12)


Max.4





Max.4

Max.4




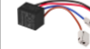




Incl. CR2032 batt.

FLR-RF RH	FLR-RF RH +CONTROL
	
	

Incl. CR2032 bat.

FLR-RF CONTROL	
	
	

Incl. FLR-RF TRAF0

FLR-RF CO2	FLR-RF CO2 +CONTROL
 	 
 	 

(Optional) **FLR-RF TRAF0**
Power adaptor 230V – 5V



(Optional) **FLR-RF TRAF0**
Power adaptor 230V – 5V

