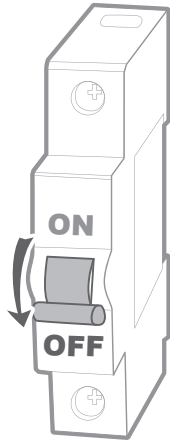


ML

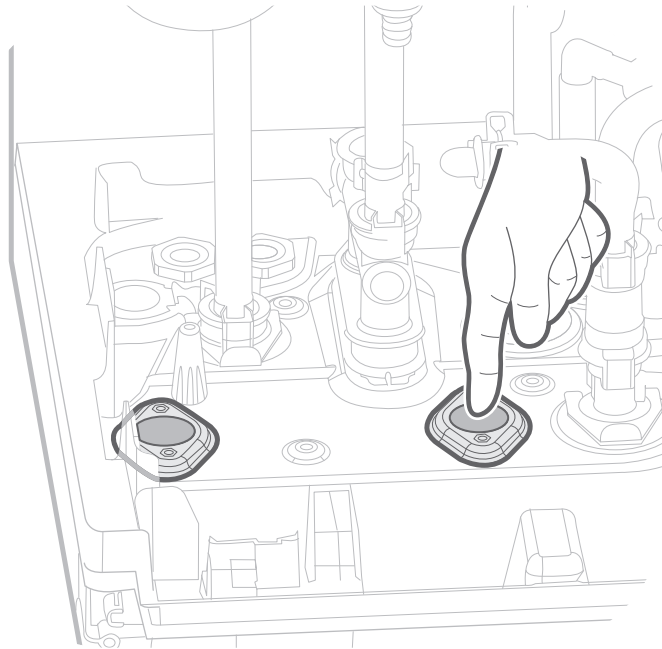
INSTALLATION // INSTALLATIE // INSTALACIÓN // INSTALAÇÃO //
INSTALLAZIONE // MONTAŽ // INŠTALACIJA

Kit 2 Zones / 2 Circuits Kit (UTW-KZSXQ)

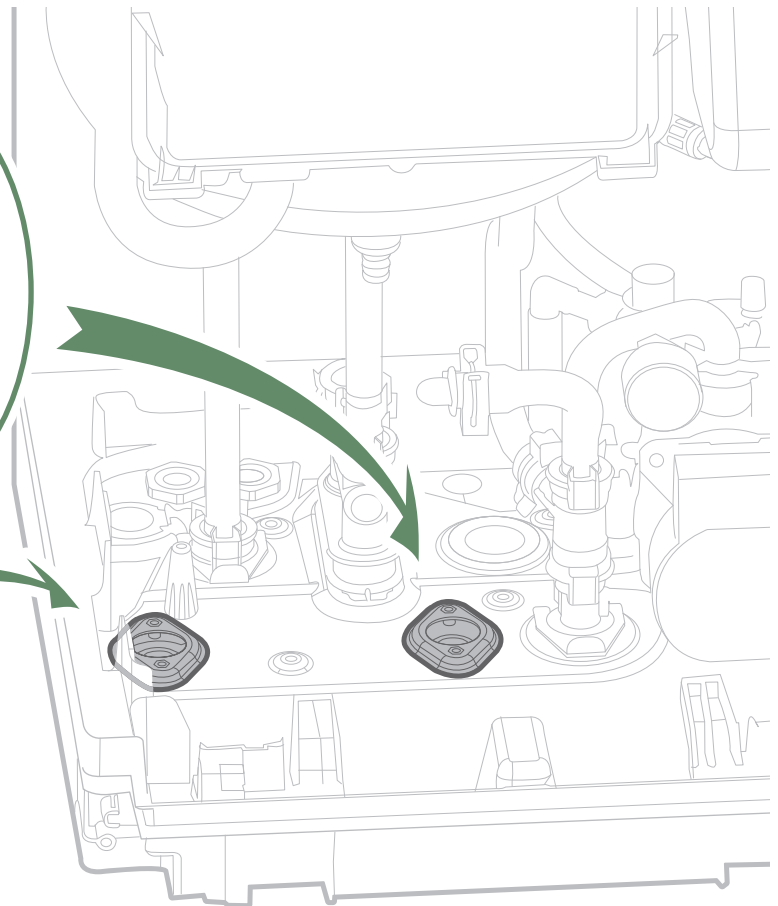
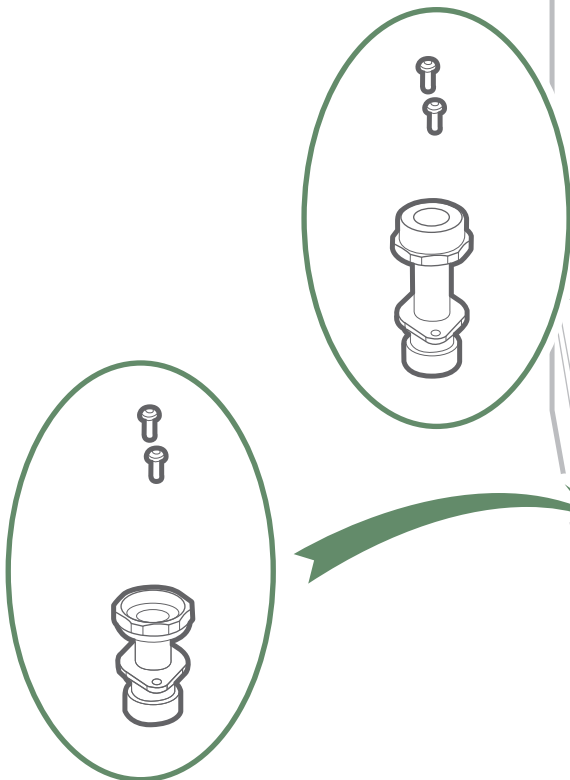
1



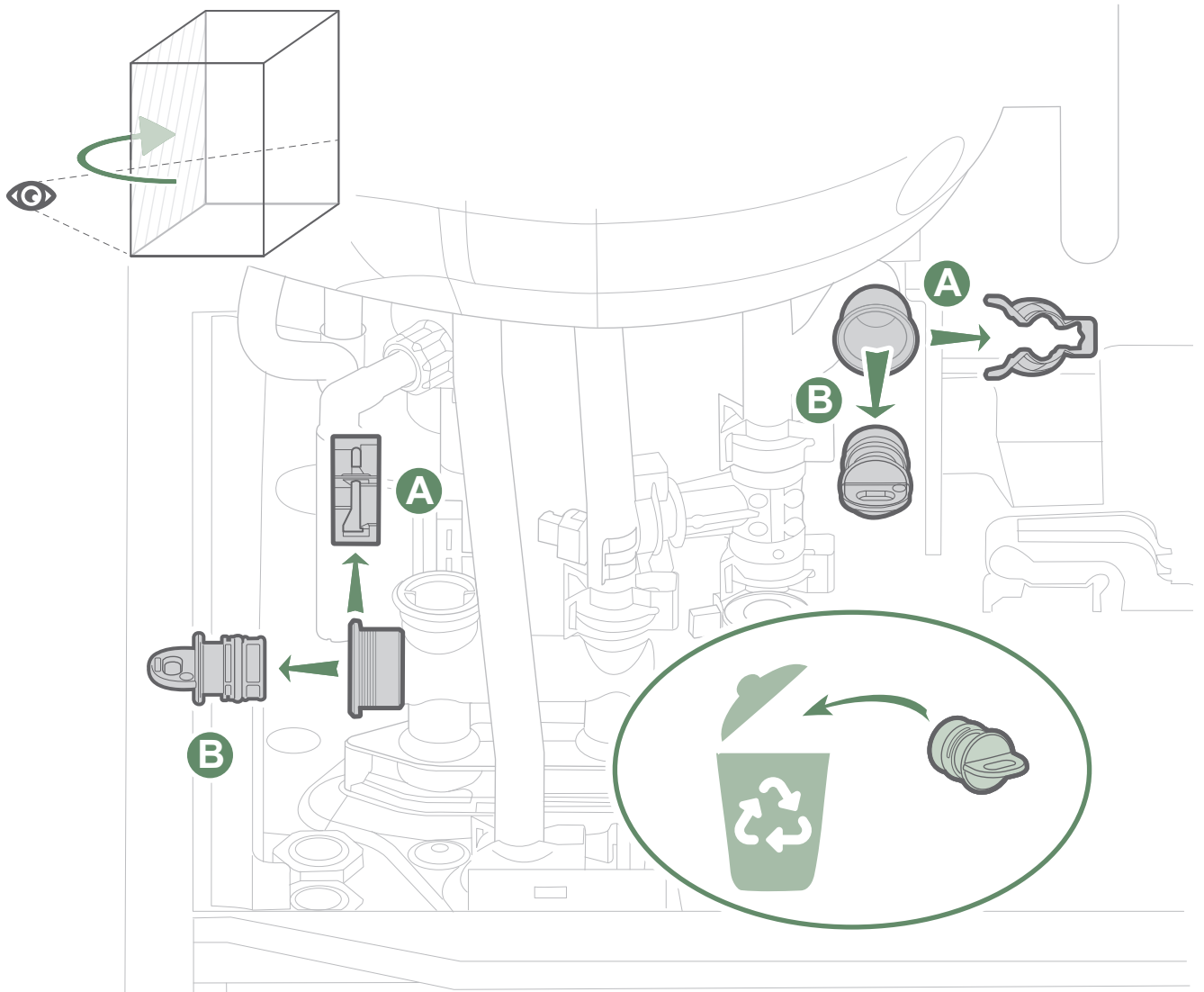
2



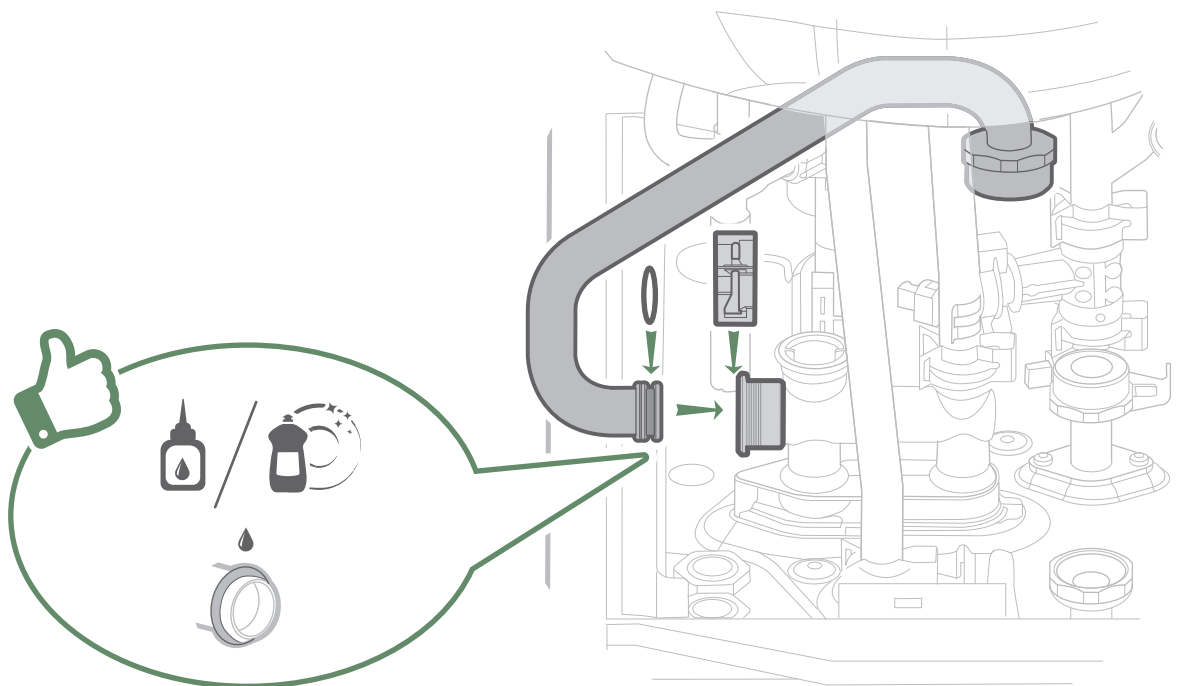
3



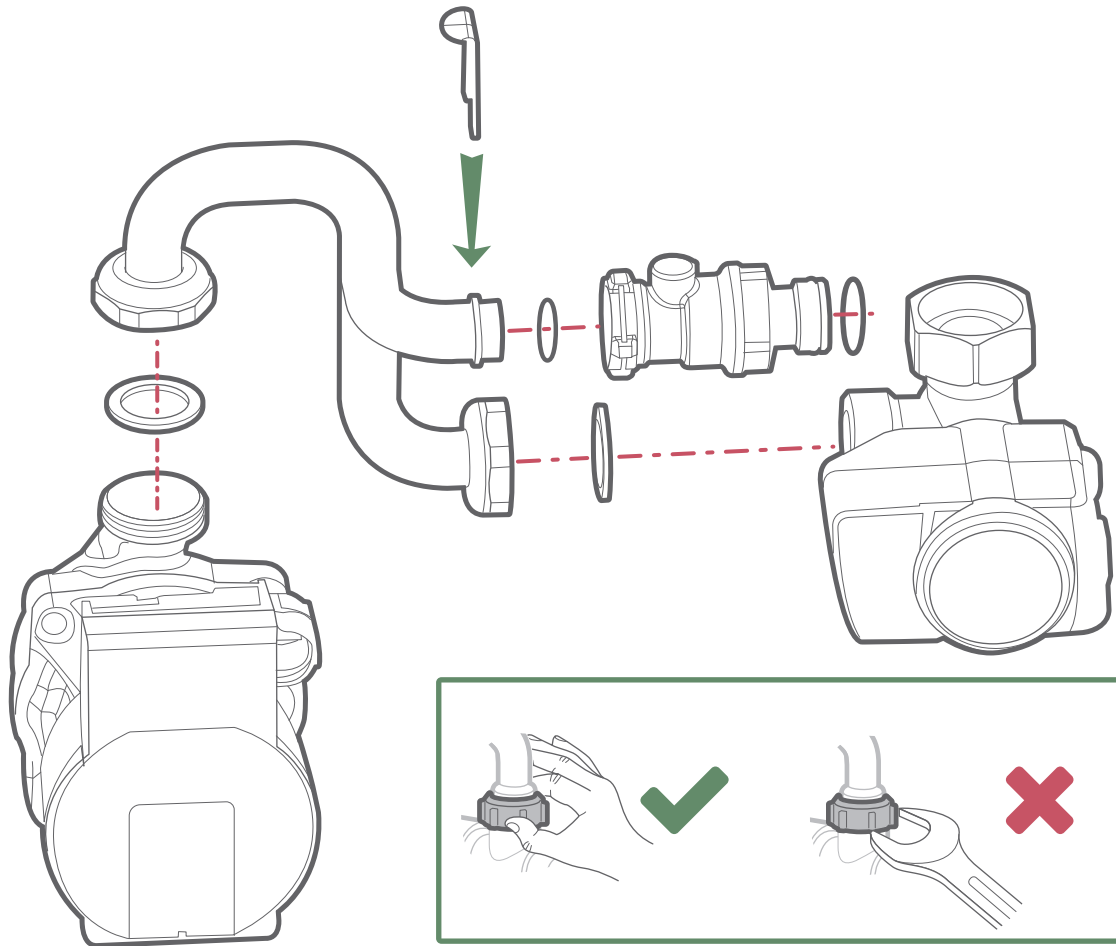
4



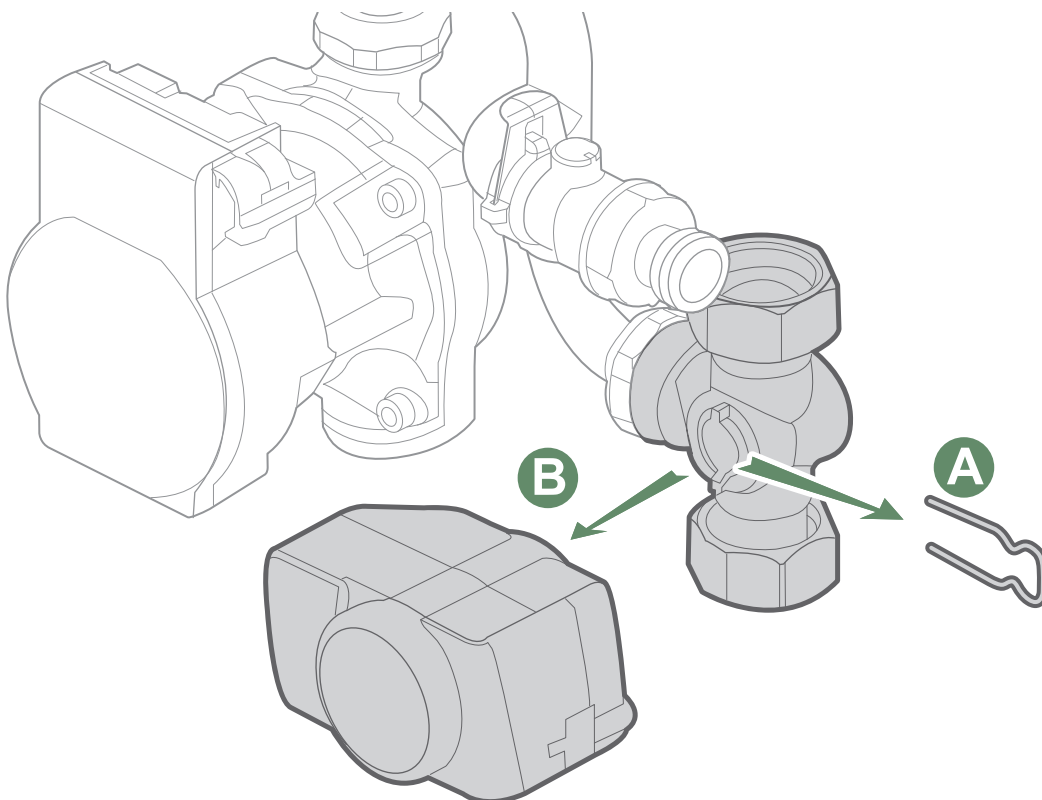
5



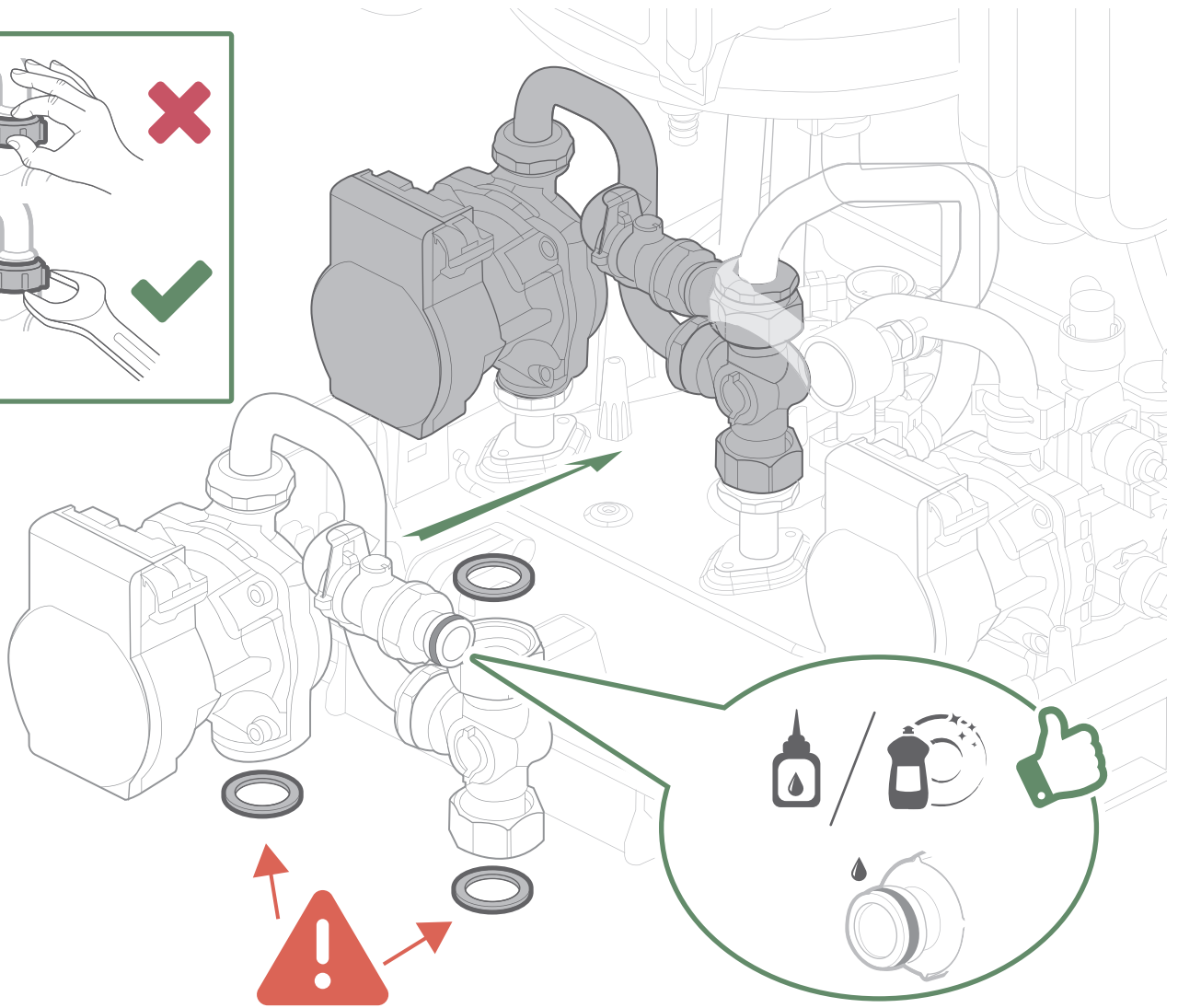
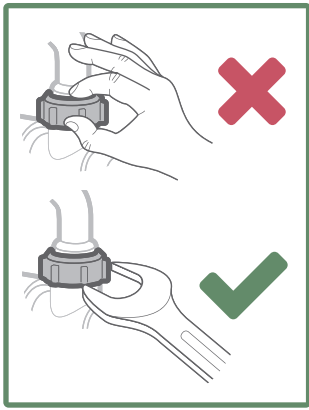
6



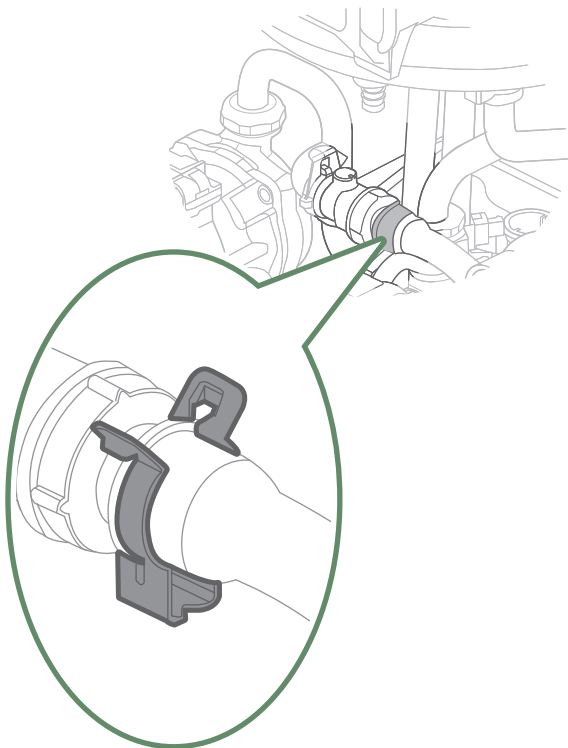
7



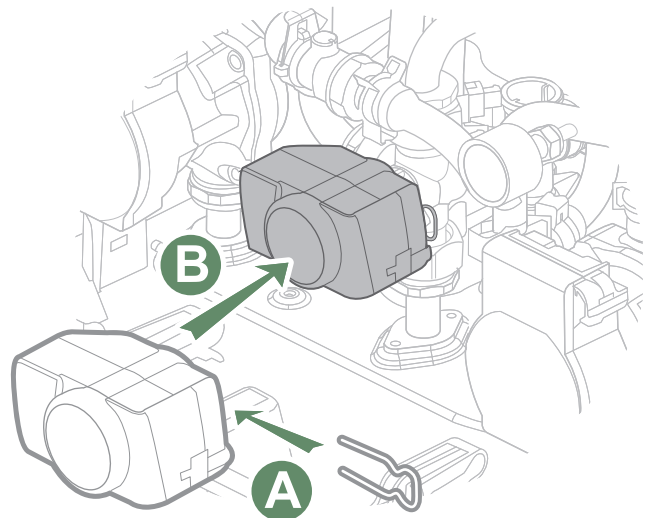
8



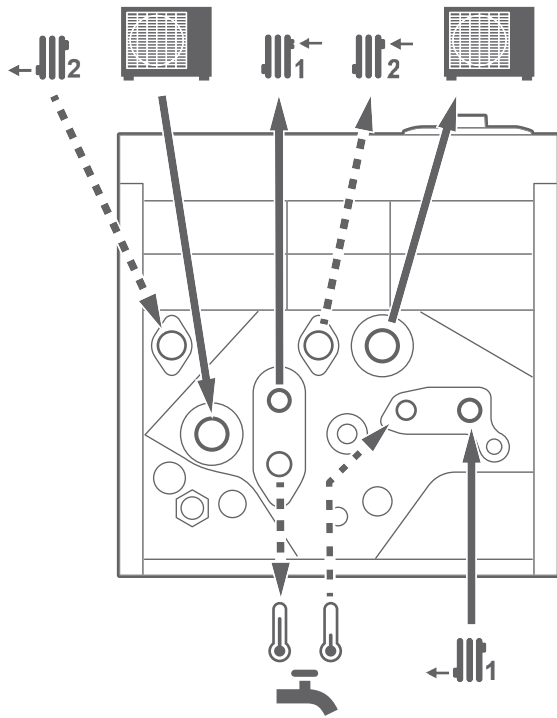
9



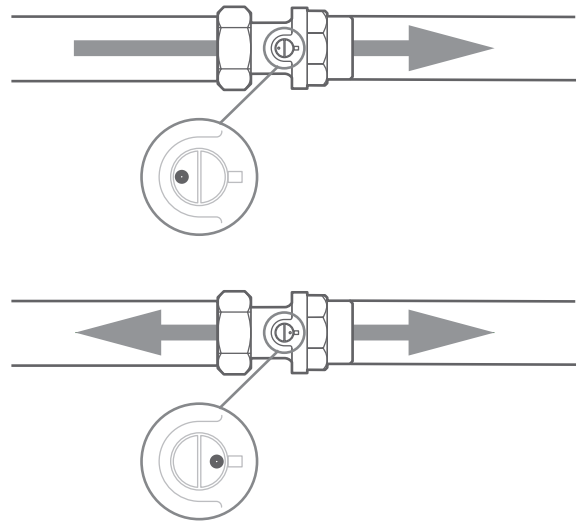
10



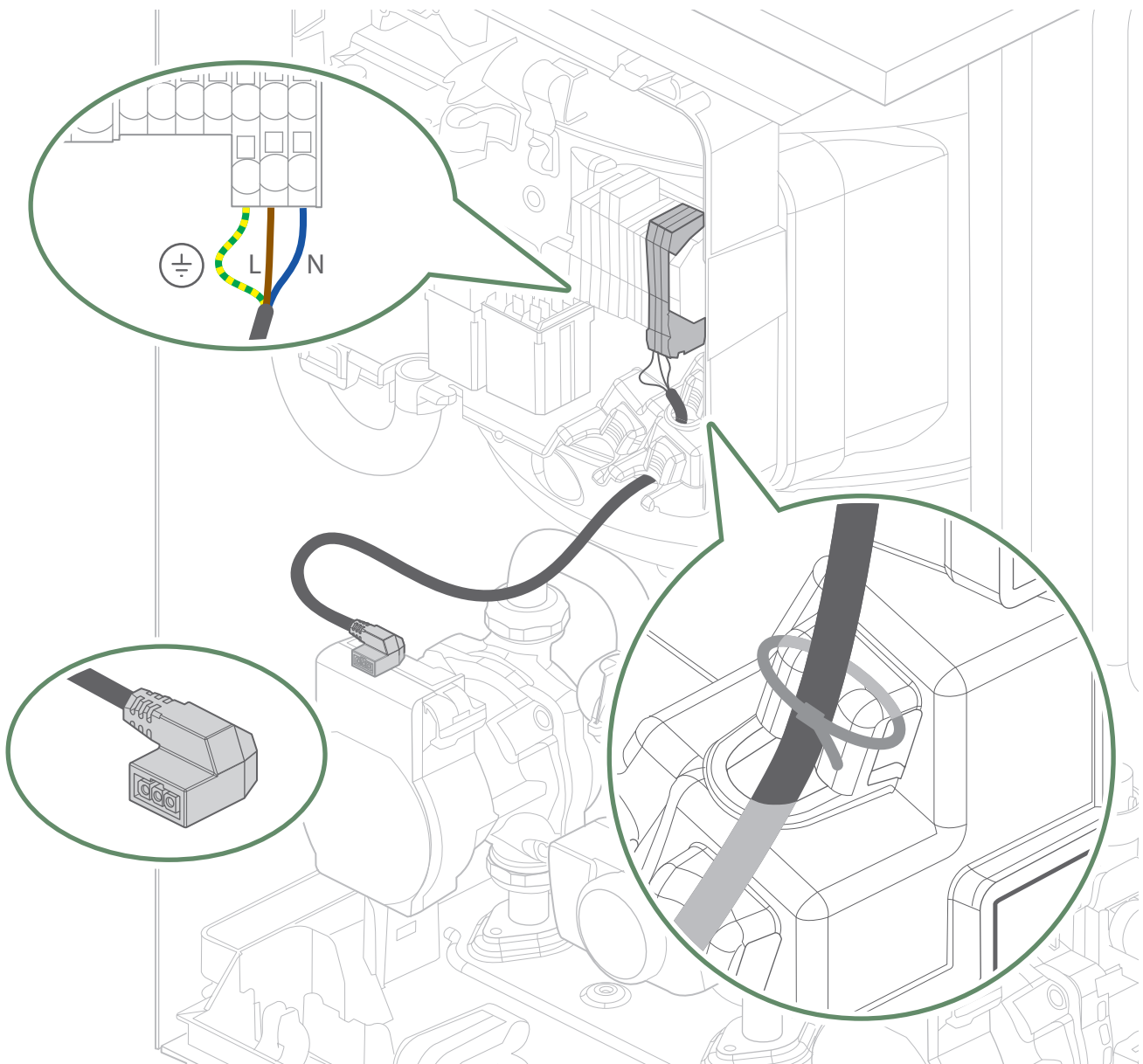
11



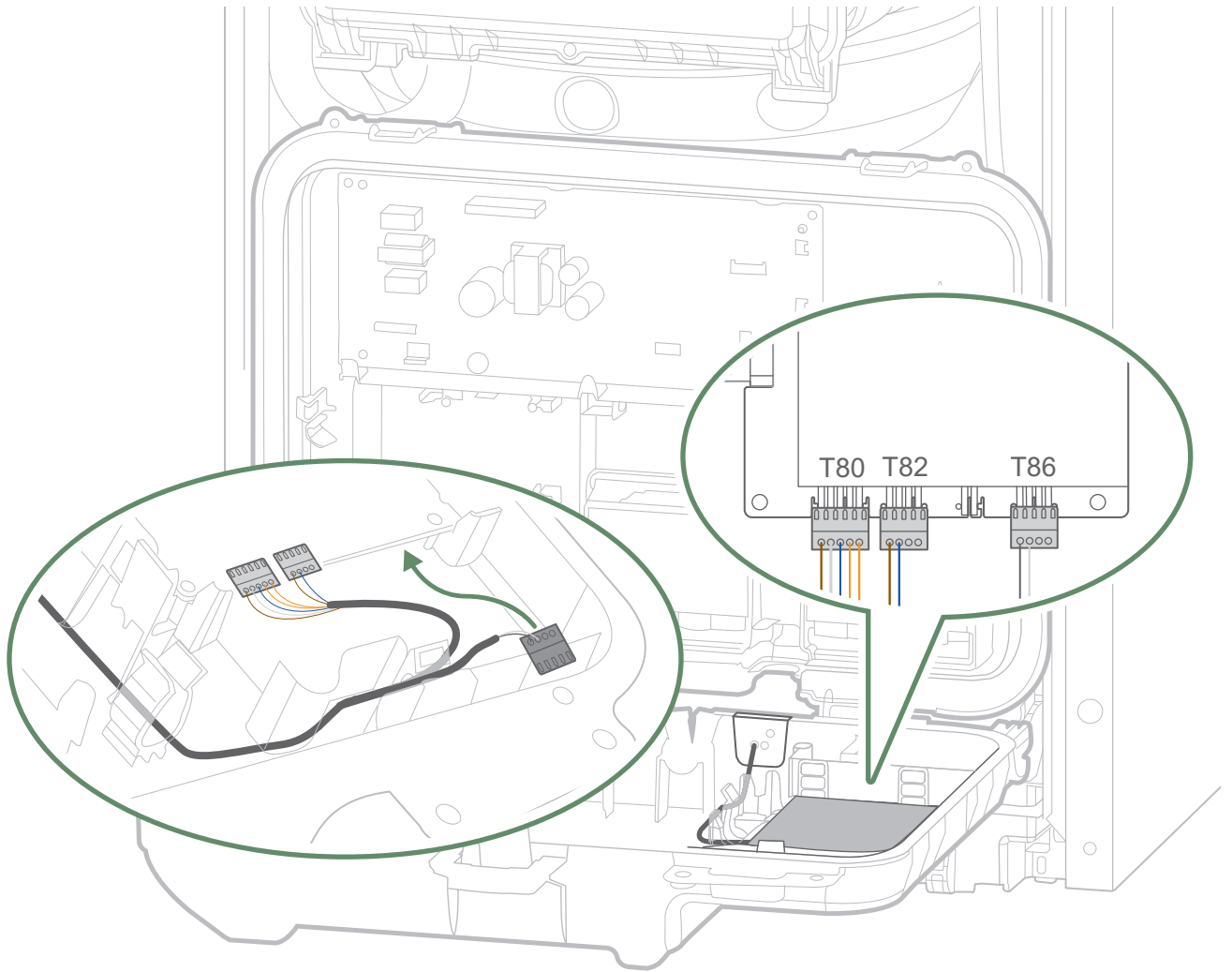
12



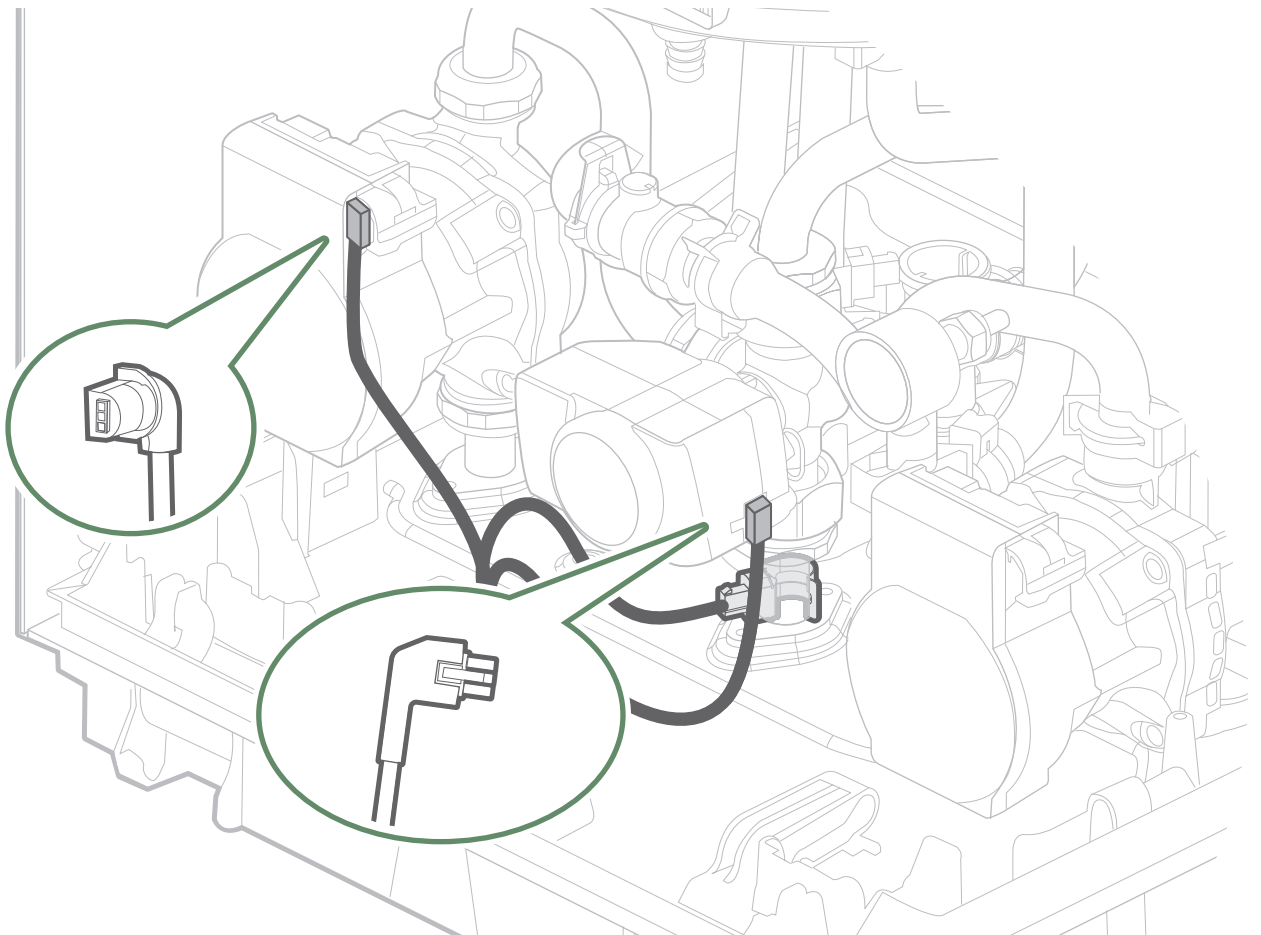
13



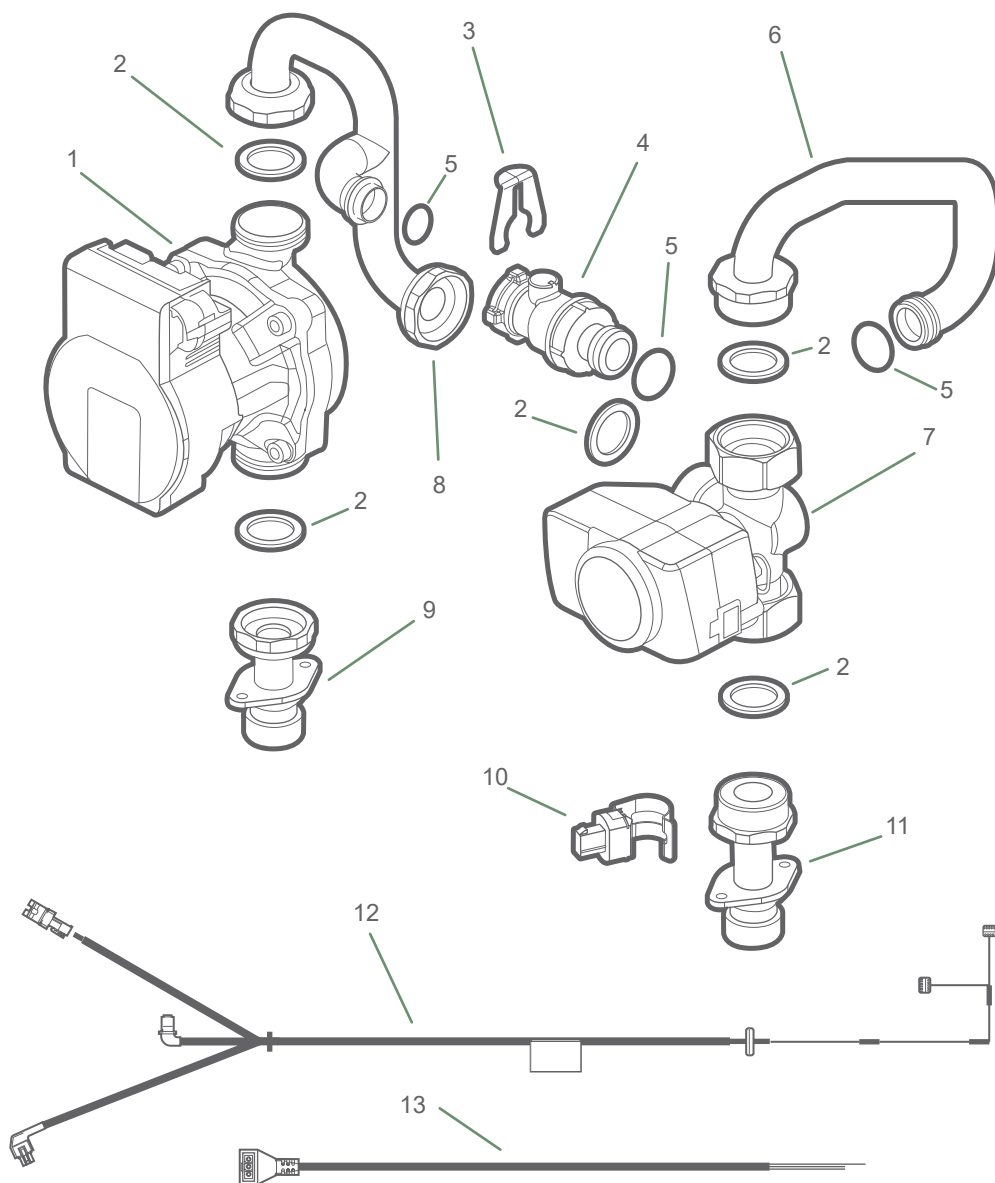
14



15



Nr	Code	Qty
1	107907	01
2	142735	05
3	110177	01
4	110183	01
5	142716	03
6	182961	01
7	132171	01
8	182960	01
9	182958	01
10	198798	01
11	182959	01
12	109720	01
13	133193	01



Points de collecte sur www.quefairedemesdechets.fr

RC Dunkerque - Siren 440 555 886 - Equipment subject to change without notice - Document is non contractual

Commissioning date:

Address of your heating installer or customer service.

Fujitsu General (Euro) GmbH
 Fritz-Vomfelde-Strasse 26-32
 40547 Düsseldorf - Germany