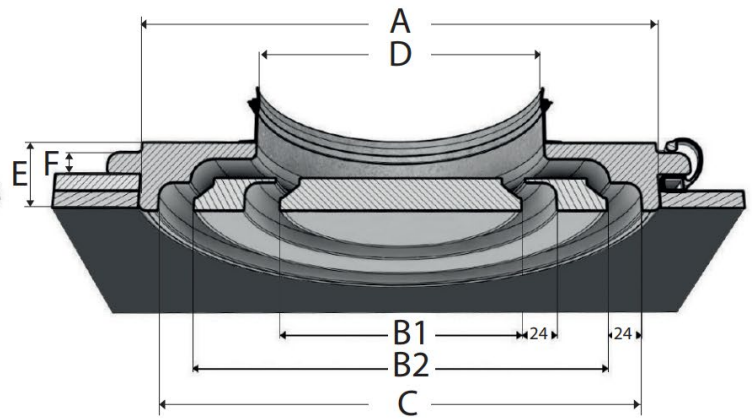
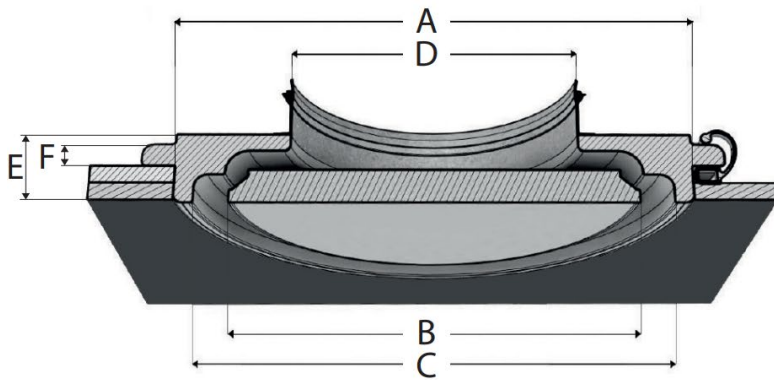


**Step by step - GYP-P-CIRCLE**

1 SLOT



2 SLOTS



Dimensions

Type	ØD [mm]	A [mm]	B [mm]	B1 [mm]	B2 [mm]	C [mm]	E [mm]	F [mm]	[kg]
GYP-P-CIRCLE 125-1	125	236	180			210	43	16	2.8
GYP-P-CIRCLE 160-1	160	316	242	126	242	290	50	16	3.5
GYP-P-CIRCLE 160-2	160	316	242	126	242	290	50	16	3.4
GYP-P-CIRCLE 200-1	200	356	282	166	282	330	50	16	4.0
GYP-P-CIRCLE 200-2	200	356	282	166	282	330	50	16	4.1

