

SERVICE MANUAL



Outdoor unit

AOYG14KBTA2
AOYG18KBTA2

Indoor unit

AUXG07KVLA
AUXG09KVLA
AUXG12KVLA
AUXG14KVLA
UTG-UFYF-W
ARXG07KSLAP
ARXG09KSLAP
ARXG12KSLAP
ARXG14KSLAP
ARXG07KLLAP
ARXG09KLLAP
ARXG12KLLAP
ARXG14KLLAP
ASYG07KGTB
ASYG09KGTB
ASYG12KGTB
ASYG14KGTB
ASYG07KMTB
ASYG09KMTB
ASYG12KMTB
ASYG14KMTB

CONTENTS

SPECIFICATIONS	1
DIMENSIONS	9
REFRIGERANT SYSTEM DIAGRAM . . .	16
INDOOR PCB CIRCUIT DIAGRAM	18
OUTDOOR PCB CIRCUIT DIAGRAM . . .	23
ERROR DETECTION	25
PARTS (INDOOR UNIT)	30
PARTS (OUTDOOR UNIT)	61
ACCESSORIES	73

Specifications (Indoor unit)

Compact cassette type

Model name				AUXG07KVLA	AUXG09KVLA	AUXG12KVLA	AUXG14KVLA	
Power supply				1Ø 230 V ~50 Hz				
Available voltage range				198—264 V				
Capacity			kW class	2.0	2.5	3.5	4.0	
Input power			W	18		23	28	
Running current			A	0.15		0.19	0.22	
Fan	Airflow rate	Cooling	HIGH	m ³ /h	540		610	680
			MED		490		530	580
			LOW		440		470	490
			QUIET		390		410	410
		Heating	HIGH		540		610	790
			MED		490		530	680
			LOW		440		470	580
			QUIET		390		410	450
	Type × Q'ty			Turbo fan × 1				
	Motor output			W	54			
Sound pressure level *	Cooling	HIGH	dB (A)	33		37	38	
		MED		31		34	35	
		LOW		29		31	32	
		QUIET		27		28	29	
	Heating	HIGH		34		37	43	
		MED		32		34	38	
		LOW		29		31	34	
		QUIET		27		29	30	
Sound power level	Cooling	dB (A)	46		49	50		
	Heating		47		49	55		
Heat exchanger type	Dimensions (H × W × D)		mm	210 × 1,310 × 13.3				
	Fin pitch		mm	210 × 1,250 × 13.3				
	Rows × Stages			1.2				
	Pipe type			2 × 10				
	Fin type			Copper tube				
Dimensions (H × W × D)	Net		mm	245 × 570 × 570				
	Gross			265 × 730 × 625				
Weight	Net		kg	15				
	Gross			19				
Connection pipe	Size	Liquid	mm (in)	Ø6.35 (Ø1/4)				
		Gas		Ø9.52 (Ø3/8)				
	Method			Flare				
Operation range	Cooling		°C	18 to 32				
			%RH	80 or less				
	Heating		°C	16 to 30				
Drain hose	Material		PVC					
	Size		mm	VP25 (Ø 25 [I.D.], Ø 32 [O.D.])				
Cassette grille (Grid type: Option)	Model name			UTG-UFYF-W				
	Material			Polystyrene				
	Color			White				
				Approximate color of Munsell 9PB 9.1/0.2				
	Dimensions (H × W × D)	Net		mm	49 × 620 × 620			
		Gross			120 × 765 × 755			
	Weight	Net		kg	2.3			
Gross		4.5						

NOTES:

- The protective function might work when using it outside the operation range.
- *: Sound pressure level:
 - These are the measured values in the manufacturer's anechoic chamber.
 - Because of the surrounding sound environment, the sound levels measured in actual installation conditions might be higher than the specified values here.

Mini duct type

Model name				ARXG07KSLAP	ARXG09KSLAP	ARXG12KSLAP	ARXG14KSLAP	
Power supply				1Ø 230 V ~50 Hz				
Available voltage range				198—264 V				
Capacity			kW class	2.0	2.5	3.5	4.0	
Input power	Fan	HIGH	W	33	40	47	72	
		MED		23	23	26	44	
		LOW		20	20	22	30	
		QUIET		18	18	18	18	
Running current			A	0.29	0.33	0.38	0.58	
Fan	Airflow rate	Cooling	HIGH	m³/h	550	600	650	800
			MED		440	450	490	640
			LOW		390	400	430	530
			QUIET		360	360	360	360
		Heating	HIGH		550	600	650	800
			MED		440	450	490	640
			LOW		390	400	430	530
			QUIET		360	360	360	360
	Type × Q'ty			Sirocco fan × 2				
	Motor output			W	75			
Recommended static pressure			Pa	0 to 30			0 to 50	
Sound pressure level *	Cooling	HIGH	dB (A)	29	29	31	35	
		MED		26	26	27	30	
		LOW		24	24	25	27	
		QUIET		23	23	23	23	
	Heating	HIGH		29	29	31	35	
		MED		26	26	27	30	
		LOW		24	24	25	27	
		QUIET		23	23	23	23	
Sound power level	Cooling	dB (A)	52	54	55	60		
	Heating		53	56	57	62		
Heat exchanger type	Dimensions (H × W × D)		mm	336 × 490 × 26.6				
	Fin pitch		mm	1.3				
	Rows × Stages			2 × 16				
	Pipe type			Copper tube				
	Fin type			Aluminum				
Enclosure	Material			Steel sheet				
	Color			—				
Dimensions (H × W × D)	Net		mm	198 × 700 × 450				
	Gross			250 × 930 × 580				
Weight	Net		kg	15.5				
	Gross			19.0				
Connection pipe	Size	Liquid	mm (in)	Ø6.35 (Ø1/4)				
		Gas		Ø9.52 (Ø3/8)				
	Method				Flare			
Operation range	Cooling	°C	18 to 32					
		%RH	80 or less					
	Heating	°C	16 to 30					
Drain hose	Material			Hard PVC				
	Size		mm	Ø 25 (I.D.), Ø 32 (O.D.)				

NOTES:

- Values mentioned in the table are based on the following conditions:
 - Static pressure: 10 Pa
- The protective function might work when using it outside the operation range.
- *: Sound pressure level:
 - These are the measured values in the manufacturer's anechoic chamber.
 - Because of the surrounding sound environment, the sound levels measured in actual installation conditions might be higher than the specified values here.

Slim duct type

Model name				ARXG07KLLAP	ARXG09KLLAP	ARXG12KLLAP	ARXG14KLLAP	
Power supply				1Ø 230 V ~50 Hz				
Available voltage range				198—264 V				
Capacity		kW class		2.0	2.5	3.5	4.0	
Input power		W		33	49	58	76	
Running current		A		0.33	0.30	0.35	0.51	
Fan	Airflow rate	Cooling	HIGH	m ³ /h	550	600	650	800
			MED		490	550	600	700
			LOW		470	500	550	600
			QUIET		440	450	480	480
		Heating	HIGH		550	600	650	800
			MED		490	550	600	700
			LOW		470	500	550	600
			QUIET		440	450	480	480
	Type × Q'ty		Sirocco fan × 2					
	Motor output		W		80	81		
Recommended static pressure				Pa				
				0 to 90				
Sound pressure level *	Cooling	HIGH	dB (A)	28	28	29	32	
		MED		26	27	28	30	
		LOW		25	26	27	28	
		QUIET		24	25	26	26	
	Heating	HIGH		28	28	29	32	
		MED		26	26	28	30	
		LOW		25	25	27	28	
		QUIET		24	24	24	25	
Sound power level	Cooling		dB (A)	57		58	60	
	Heating			57		58	60	
Heat exchanger type	Dimensions (H × W × D)		mm	294 × 500 × 26.6	294 × 500 × 39.9			
	Fin pitch		mm	1.3				
	Rows × Stages			2 × 14	3 × 14			
	Pipe type			Copper tube				
	Fin type			Aluminum				
Enclosure	Material			Steel sheet				
	Color			—				
Dimensions (H × W × D)	Net		mm	198 × 700 × 620				
	Gross			276 × 968 × 772				
Weight	Net		kg	16		17		
	Gross			21		22		
Connection pipe	Size	Liquid	mm (in)	Ø6.35 (Ø1/4)				
		Gas		Ø9.52 (Ø3/8)				
	Method			Flare				
Operation range	Cooling	°C		18 to 32				
		%RH		80 or less				
	Heating		°C		16 to 30			
Drain hose	Material		PVC					
	Size		mm	Ø 25 (I.D.), Ø 32 (O.D.)				

NOTES:

- Values mentioned in the table are based on the following conditions:
 - Static pressure: 25 Pa
- The protective function might work when using it outside the operation range.
- *: Sound pressure level:
 - These are the measured values in the manufacturer's anechoic chamber.
 - Because of the surrounding sound environment, the sound levels measured in actual installation conditions might be higher than the specified values here.

Wall mounted type

Model name				ASYG07KGTB	ASYG09KGTB	ASYG12KGTB	ASYG14KGTB	
Power supply				1Ø 230 V ~50 Hz				
Available voltage range				198—264 V				
Capacity		kW class		2.0	2.5	3.5	4.0	
Input power		W		23	27	27	33	
Running current		A		0.20	0.24	0.24	0.29	
Fan	Airflow rate	Cooling	HIGH	m ³ /h	650	700	700	770
			MED		540	560	560	600
			LOW		430	430	430	450
			QUIET		270	270	270	280
		Heating	HIGH		720	750	770	800
			MED		580	610	640	660
			LOW		460	470	520	520
			QUIET		330	330	330	340
	Type × Q'ty		Cross flow fan × 1					
	Motor output		W		30		49	
Sound pressure level *1	Cooling	HIGH	dB (A)	38	40	40	43	
		MED		33	34	35	36	
		LOW		29	29	30	30	
		QUIET		21	21	21	21	
	Heating	HIGH		41	42	42	44	
		MED		35	36	38	39	
		LOW		31	31	33	33	
		QUIET		22	22	22	24	
Sound power level	Cooling	dB (A)	54	55	56	57		
	Heating		56	57	58	59		
Heat exchanger type	Dimensions (H × W × D)		mm	Main1: 210 × 670 × 26.6 Main2: 112 × 670 × 20.0		Main1: 210 × 670 × 26.6, Main2: 112 × 670 × 20.0 Sub: 84 × 670 × 13.3		
	Fin pitch		mm	Main1: 1.2, Main2: 1.1		Main1: 1.2, Main2: 1.1, Sub: 1.4		
	Rows × Stages			Main1: 2 × 10, Main2: 2 × 7		Main1: 2 × 10, Main2: 2 × 7, Sub: 1 × 4		
	Pipe type			Copper tube				
	Fin type			Aluminum				
Enclosure	Material			Polystyrene				
	Color			White + Pearl white (painted) Approximate color of Munsell N 9.25/				
Dimensions (H × W × D)	Net		mm	270 × 834 × 215				
	Gross			270 × 914 × 332				
Weight	Net		kg	10.0				
	Gross			12.5		13.0		
Connection pipe	Size	Liquid	mm (in)	Ø6.35 (Ø1/4)				
		Gas		Ø9.52 (Ø3/8)				
	Method				Flare			
Drain hose	Material			PP + HDPE				
	Size		mm	Ø11.8 (I.D.), Ø15.0 to Ø16.7 (O.D.)				
Operation range	Cooling		°C	18 to 32				
	Heating		%RH	80 or less				
		°C		16 to 30				
Remote controller type				Wireless (Option: Wired, Mobile app*2 [FGLair™])				
NOTES: <ul style="list-style-type: none"> The protective function might work when using it outside the operation range. *1: Sound pressure level: <ul style="list-style-type: none"> These are the measured values in the manufacturer's anechoic chamber. Because of the surrounding sound environment, the sound levels measured in actual installation conditions might be higher than the specified values here. *2: Available on Google Play™ store or on App Store®. Optional WLAN adapter is also required. For details, refer to the setting manual. 								

Model name				ASYG07KMTB	ASYG09KMTB	ASYG12KMTB	ASYG14KMTB	
Power supply				1Ø 230 V ~50 Hz				
Available voltage range				198—264 V				
Capacity			kW class	2.0	2.5	3.5	4.0	
Input power			W	23	27	27	33	
Running current			A	0.20	0.24	0.24	0.30	
Fan	Airflow rate	Cooling	HIGH	m ³ /h	650	700	700	770
			MED		540	560	560	600
			LOW		430	430	430	450
			QUIET		270	270	270	280
		Heating	HIGH		720	750	770	800
			MED		580	610	640	660
			LOW		460	470	520	520
			QUIET		330	330	330	340
	Type × Q'ty		Cross flow fan × 1					
	Motor output			W	30			49
Sound pressure level *1	Cooling	HIGH	dB (A)	38	40	40	43	
		MED		33	34	35	36	
		LOW		29	29	30	30	
		QUIET		21	21	21	21	
	Heating	HIGH		41	42	42	44	
		MED		35	36	38	39	
		LOW		31	31	33	33	
		QUIET		22	22	22	24	
Sound power level	Cooling	dB (A)	55	55	55	57		
	Heating		56	57	58	59		
Heat exchanger type	Dimensions (H × W × D)		mm	Main1: 210 × 670 × 26.6 Main2: 112 × 670 × 20.0			Main1: 210 × 670 × 26.6 Main2: 112 × 670 × 20.0 Sub: 84 × 670 × 13.3	
	Fin pitch		mm	Main1: 1.2, Main2: 1.1			Main1: 1.2, Main2: 1.1 Sub: 1.4	
	Rows × Stages			Main1: 2 × 10, Main2: 2 × 7			Main1: 2 × 10 Main2: 2 × 7 Sub: 1 × 4	
	Pipe type			Copper tube				
	Fin type			Aluminum				
Enclosure	Material			Polystyrene				
	Color			White + Pearl white (painted) Approximate color of Munsell N 9.25/				
Dimensions (H × W × D)	Net	mm	270 × 834 × 222					
	Gross		277 × 914 × 332					
Weight	Net	kg	10.0					
	Gross		12.5			13.0		
Connection pipe	Size	Liquid	mm (in)	Ø6.35 (Ø1/4)				
		Gas		Ø9.52 (Ø3/8)				
	Method				Flare			
Drain hose	Material			PP + HDPE				
	Size		mm	Ø13.8 (I.D.), Ø15.8 to Ø16.7 (O.D.)				
Operation range	Cooling	°C	18 to 32					
		%RH	80 or less					
	Heating	°C	16 to 30					
Remote controller type				Wireless (Option: Wired, Mobile app*2 [FGLair™])				
NOTES: <ul style="list-style-type: none"> The protective function might work when using it outside the operation range. *1: Sound pressure level: <ul style="list-style-type: none"> These are the measured values in the manufacturer's anechoic chamber. Because of the surrounding sound environment, the sound levels measured in actual installation conditions might be higher than the specified values here. *2: Available on Google Play™ store or on App Store®. Optional WLAN adapter is also required. For details, refer to the setting manual. 								

Indoor unit connection patterns

2 rooms

AOYG14KBTA2			
Combination no.	Room 1	Room 2	Total
1	7	7	14
2	7	9	16
3	7	12	19
4	9	9	18
5	9	12	21

AOYG18KBTA2			
Combination no.	Room 1	Room 2	Total
1	7	7	14
2	7	9	16
3	7	12	19
4	7	14	21
5	9	9	18
6	9	12	21
7	9	14	23
8	12	12	24
9	12	14	26

Numbers in column Room 1, 2, and Total indicate the indoor unit capacities as follows:
7: 7,000 Btu/h, 9: 9,000 Btu/h, 12: 12,000 Btu/h, 14: 14,000 Btu/h

Specifications (Outdoor unit)

Type				Inverter heat pump	
Model name				AOYG14KBT2	AOYG18KBT2
Power source				230 V 50 Hz	
Available voltage range				198—264V	
Standard combination of indoor unit				Wall mounted ASYG07KGTB ×2	Wall mounted ASYG09KGTB ×2
Capacity	Cooling	Rated	kW	4.0	5.0
			Btu/h	13,600	17,100
		Min.—Max.	kW	1.4—4.6	1.7—5.8
			Btu/h	4,700—15,700	5,800—19,800
	Heating	Rated	kW	4.4	5.6
			Btu/h	15,000	19,100
Min.—Max.		kW	1.1—5.5	1.8—6.6	
		Btu/h	3,700—18,800	6,100—22,500	
Input power	Cooling	Rated Max.	kW	0.97	1.24
				1.20	1.55
	Heating	Rated Max.	0.95	1.22	
			1.65	1.80	
Current	Cooling	Rated	A	4.7	5.6
	Heating	Rated	A	4.7	5.6
EER	Cooling		kW/kW	4.12	4.03
COP	Heating		kW/kW	4.63	4.59
Starting current			A	4.7	5.6
Maximum operating current *1			A	10.9	11.6
Fan	Type × Q'ty		Propeller × 1		
	Airflow rate	Cooling	m ³ /h	1,670	1,960
		Heating		1,670	2,020
	Motor output		W	23	49
Sound pressure level *2	Cooling	dB (A)	47	47	
	Heating		49	50	
Heat exchanger	Dimension (H × W × D)		mm	504 × 881 × 18.19	588 × 881 × 18.19
	Fin pitch			504 × 851 × 18.19	588 × 851 × 18.19
	Rows × Stages		1.3		
	Pipe type (Material)		2 × 24		
	Fin type (Material)		Copper tube		
Compressor	Type × Quantity		DC rotary × 1		
	Motor output		W	900	900
Refrigerant	Type		R32 (675)		
	Charge		g	900	1,020
Refrigerant oil	Type		RB68A		
	Amount		cm ³	340	350
Enclosure	Material		Steel sheet		
	Color		Beige (Approximate color of Munsell 10YR 7.5/1.0 NN)		
Dimensions (H × W × D)	Net	mm	542 × 799 × 290	632 × 799 × 290	
	Gross		602 × 940 × 375	692 × 940 × 375	
Weight	Net	kg	33	37	
	Gross		37	41	
Connection pipe	Size	Liquid	mm (in)	Ø6.35 (Ø1/4) × 2	
		Gas		Ø9.52 (Ø3/8) × 2	
	Method		Flare		
	Pre-charge length (Total)		20		
	Maximum length (Total)		30		
	Maximum length (Each)		20		
	Minimum length (Total)		5		
	Minimum length (Each)		2.5		
	Maximum height difference between outdoor unit and each indoor units.		15		
Maximum height difference between indoor units.		10			
Operation range	Cooling	°C	-10 to 46		
	Heating		-15 to 24		
NOTES:					
<ul style="list-style-type: none"> • Specifications are based on the following conditions: <ul style="list-style-type: none"> – Power source of specifications: 230 V – Pipe length: 5 m, Height difference: 0 m [Outdoor unit—Indoor unit] – Cooling: Indoor temperature of 27.0 °CDB/19.0 °CWB, and outdoor temperature of 35 °CDB/24.0 °CWB. – Heating: Indoor temperature of 20.0 °CDB/15.0 °CWB, and outdoor temperature of 7.0 °CDB/6.0 °CWB. • *1: Maximum operating current is the total current of the indoor unit and the outdoor unit. • *2: Sound pressure level <ul style="list-style-type: none"> – Measured values in manufacturer's anechoic chamber. – Because of the surrounding sound environment, the sound levels measured in actual installation conditions might be higher than the specified values here. • For other combination, refer to the combination table. • The protective function might work when using it outside the operation range. 					

Specifications (Outdoor unit) Continued

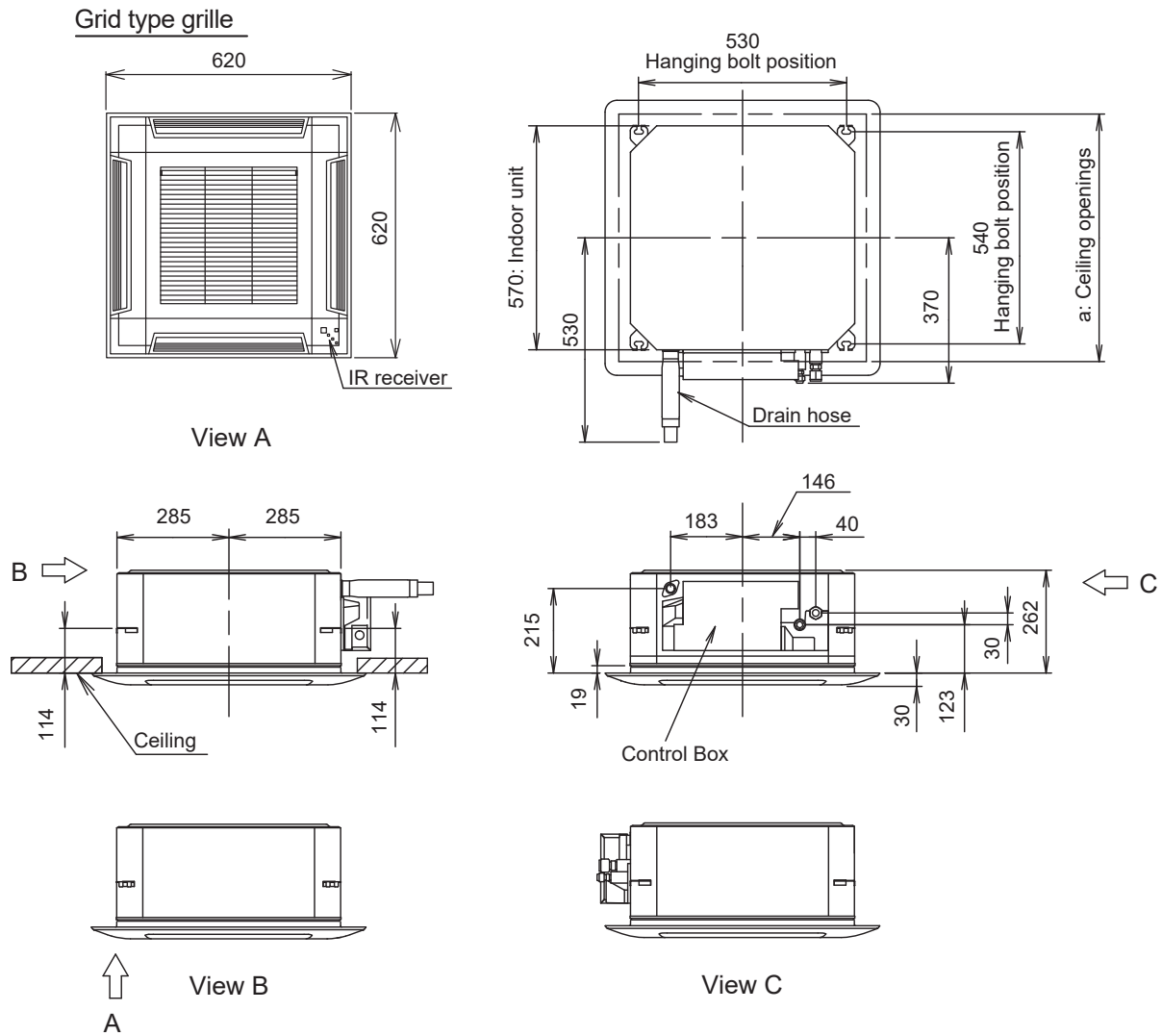
Specifications for ErP Lot10				
Model name			AOYG14KBTA2	AOYG18KBTA2
Energy efficiency class	Cooling		A+++	
	Heating (Average)		A++	
Pdesign	Cooling	kW	4.0 (35 °C)	5.0 (35 °C)
	Heating (Average)		3.5 (-10 °C)	4.2 (-10 °C)
SEER	Cooling	kWh/kWh	8.70	8.60
SCOP	Heating (Average)		4.70	4.70
Annual energy consumption	QCE		209	263
	QHE (Average)		1,296	1,434
Sound power level	Cooling	HIGH	dB (A)	60
	Heating			62

Dimensions (Indoor unit)

Compact cassette type

Models: AUXG07KVLA, AUXG09KVLA, AUXG12KVLA, and AUXG14KVLA

Unit: mm

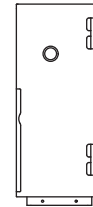
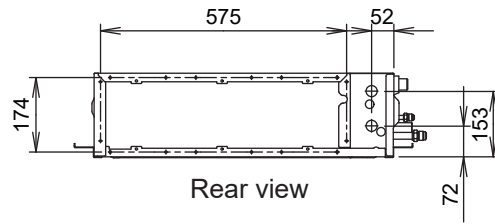


a: Ceiling openings		
Cassette grille (Option [Grid type])	mm	580 to 610

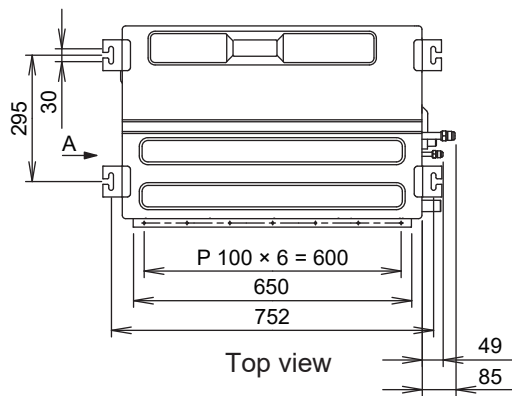
Mini duct type

Models: ARXG07KSLAP, ARXG09KSLAP, ARXG12KSLAP, and ARXG14KSLAP

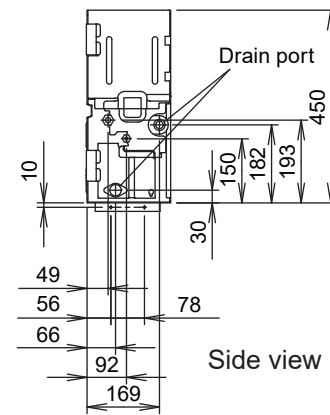
Unit: mm



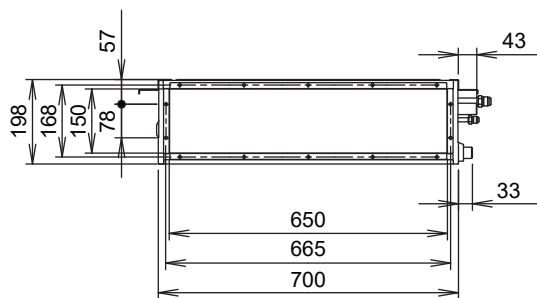
View A



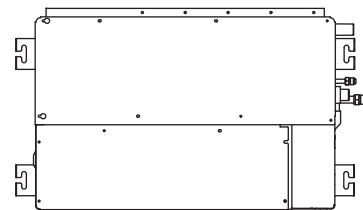
Top view



Side view



Front view

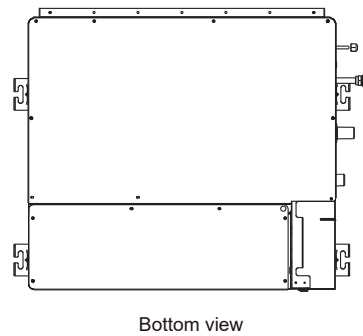
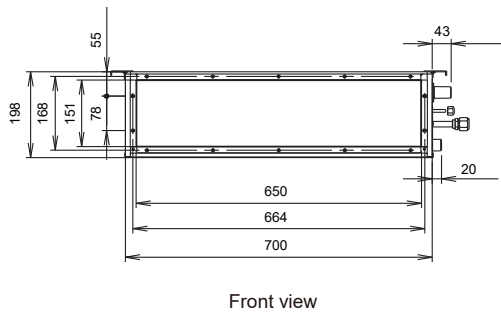
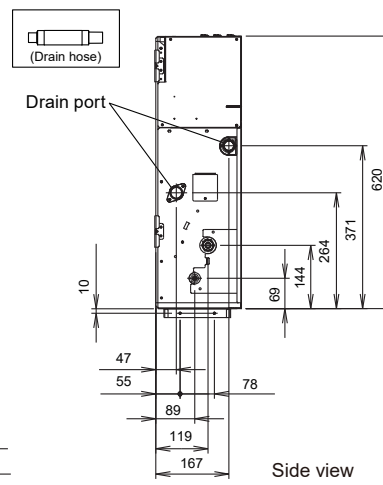
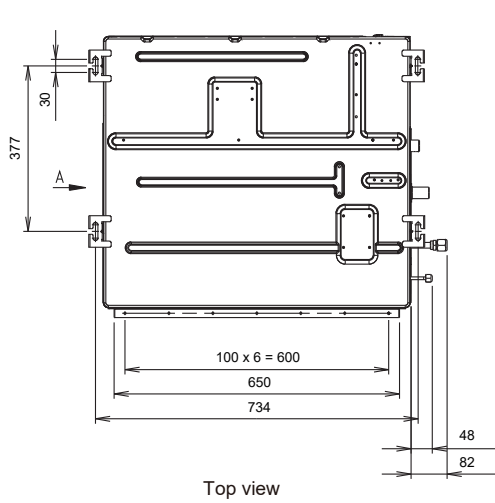
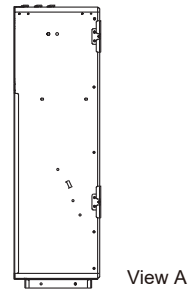
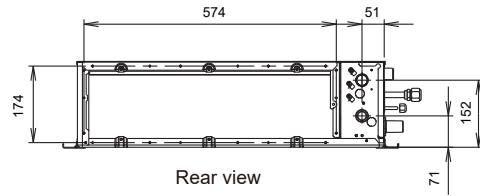


Bottom view

Slim duct type

Models: ARXG07KLLAP, ARXG09KLLAP, ARXG12KLLAP, and ARXG14KLLAP

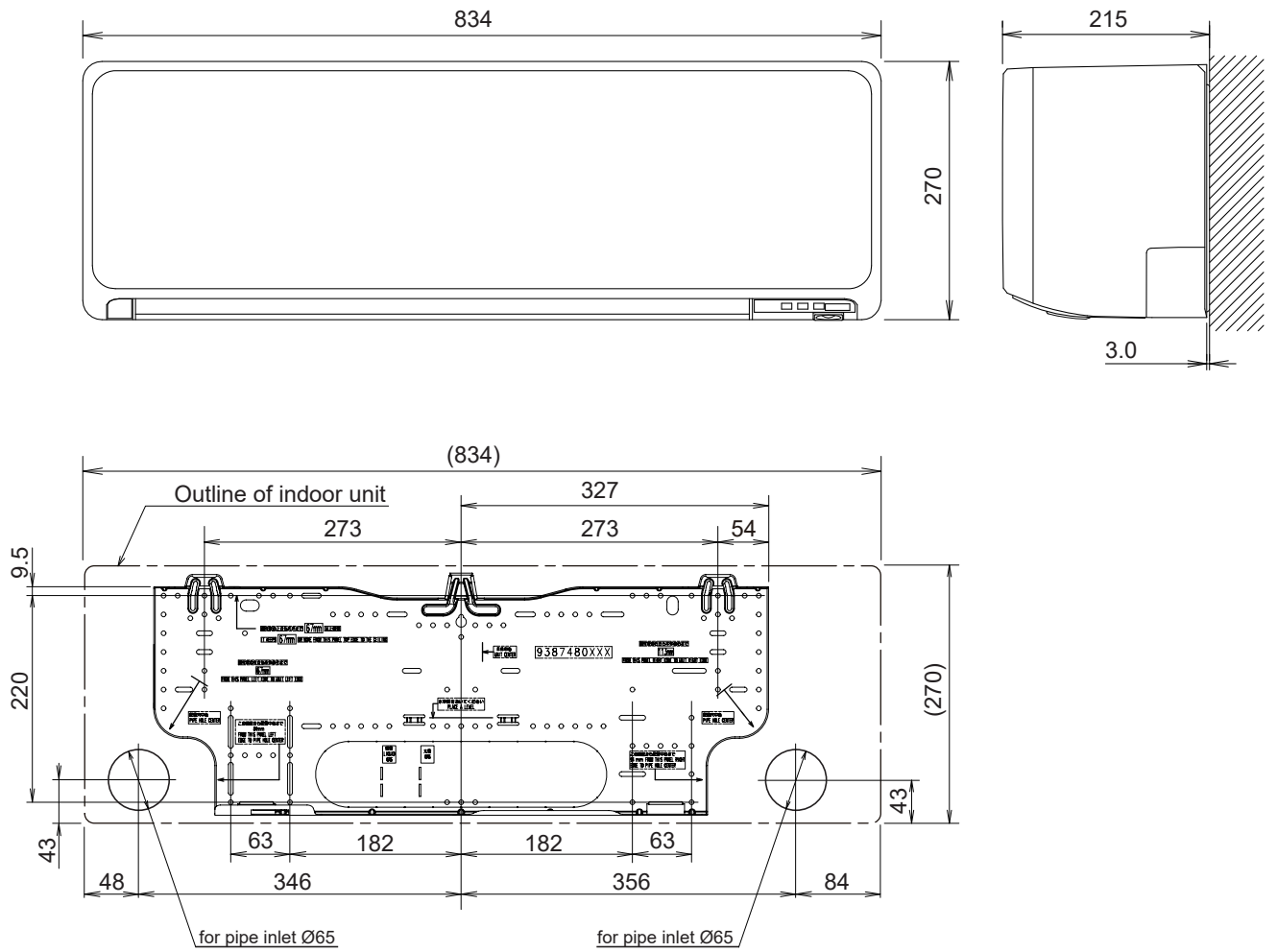
Unit: mm



Wall mounted type

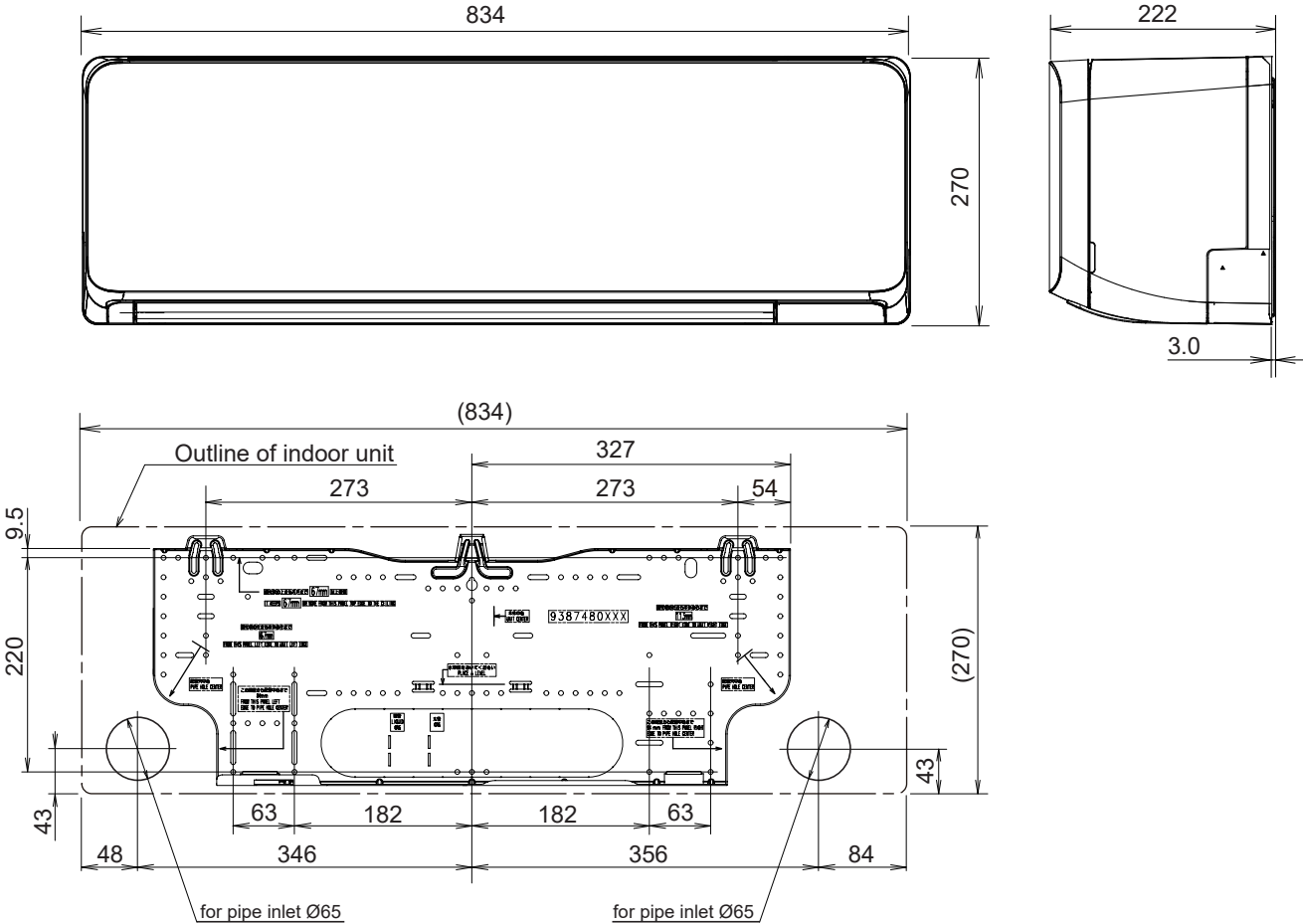
Models: ASYG07KGTB, ASYG09KGTB, ASYG12KGTB, and ASYG14KGTB

Unit: mm



Models: ASYG07KMTB, ASYG09KMTB, ASYG12KMTB, and ASYG14KMTB

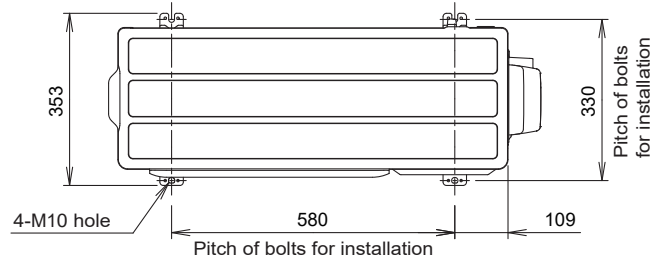
Unit: mm



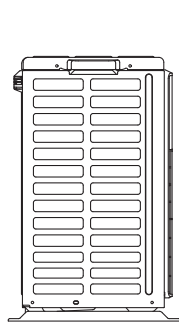
Dimensions (Outdoor unit)

Model: AOYG14KBTA2

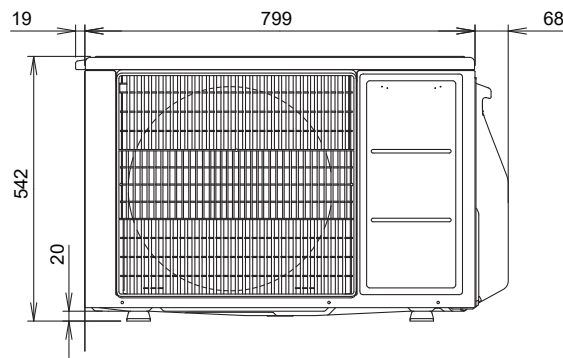
Unit: mm



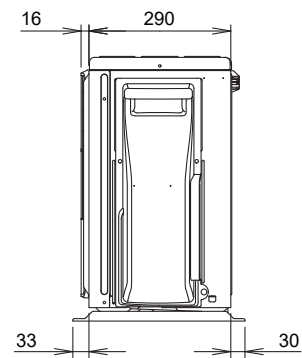
Top view



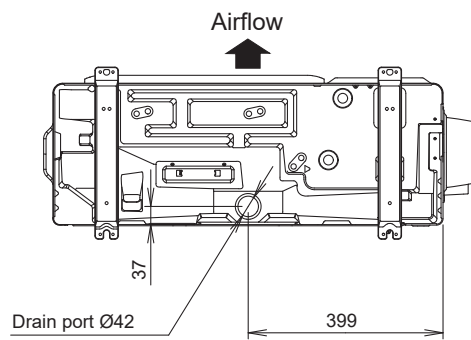
Side view



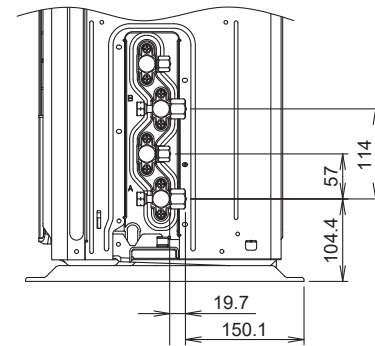
Front view



Side view



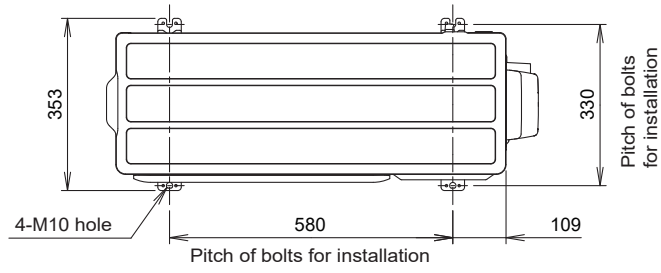
Bottom view



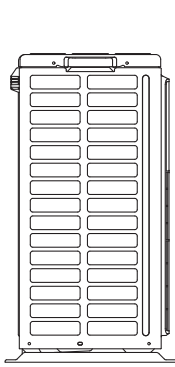
Side view (Valve part)

Model: AOYG18KBTA2

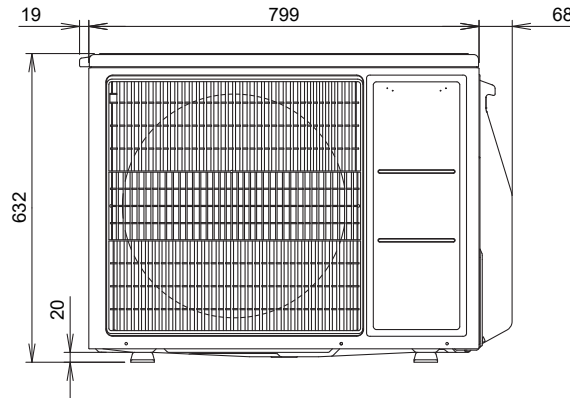
Unit: mm



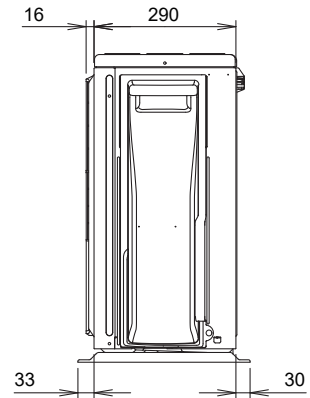
Top view



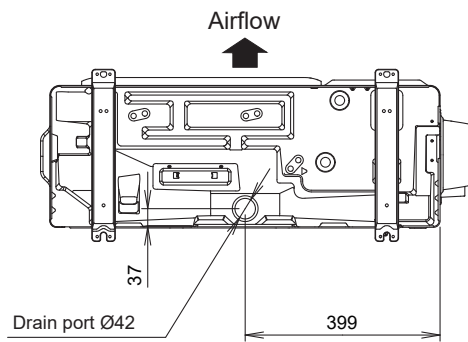
Side view



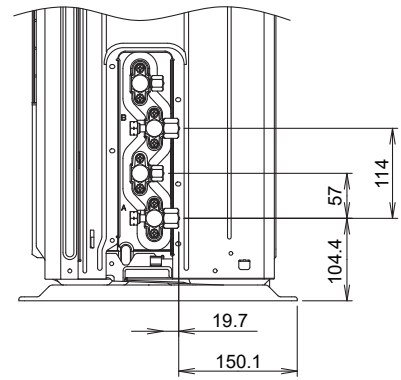
Front view



Side view



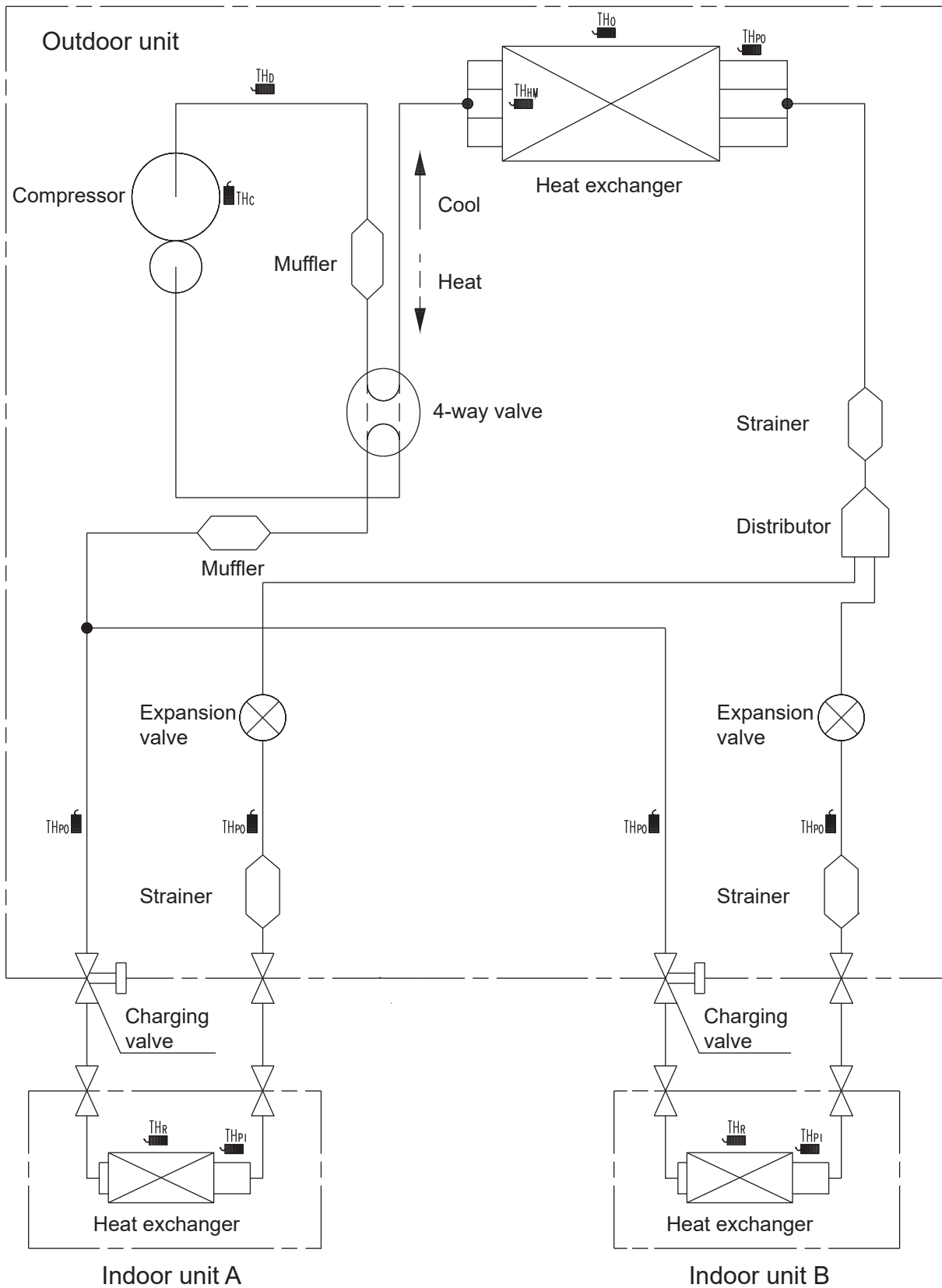
Bottom view



Side view (Valve part)

Refrigerant circuit

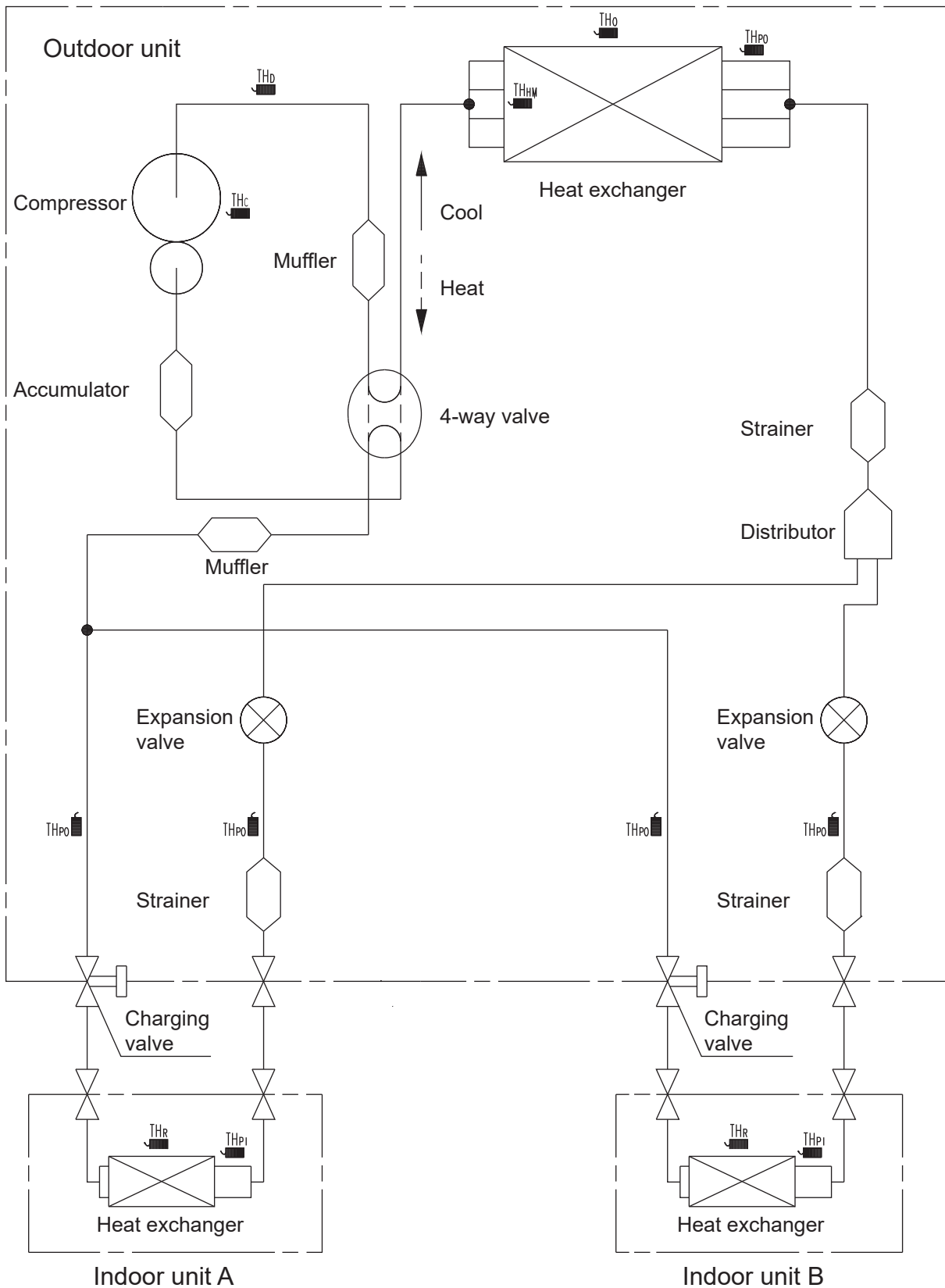
Model: AOYG14KBTA2



TH_d : Thermistor (Discharge temp.)
 TH_o : Thermistor (Outdoor temp.)
 TH_{po} : Thermistor (Pipe temp.)
 TH_{hw} : Thermistor (Heat exchanger middle temp.)
 TH_c : Thermistor (Compressor temp.)

TH_r : Thermistor (Room temp.)
 TH_{pi} : Thermistor (Pipe temp.)

4-2. Model: AOYG18KBTA2



TH_d : Thermistor (Discharge temp.)
 TH_o : Thermistor (Outdoor temp.)
 TH_{po} : Thermistor (Pipe temp.)
 TH_{hw} : Thermistor (Heat exchanger middle temp.)

TH_r : Thermistor (Room temp.)
 TH_{pi} : Thermistor (Pipe temp.)
 TH_c : Thermistor (Compressor temp.)

INDOOR PRINTED CIRCUIT BOARD CIRCUIT DIAGRAM

Models : AUXG07KVLA
AUXG09KVLA
AUXG12KVLA
AUXG14KVLA
UTG-UFYF-W

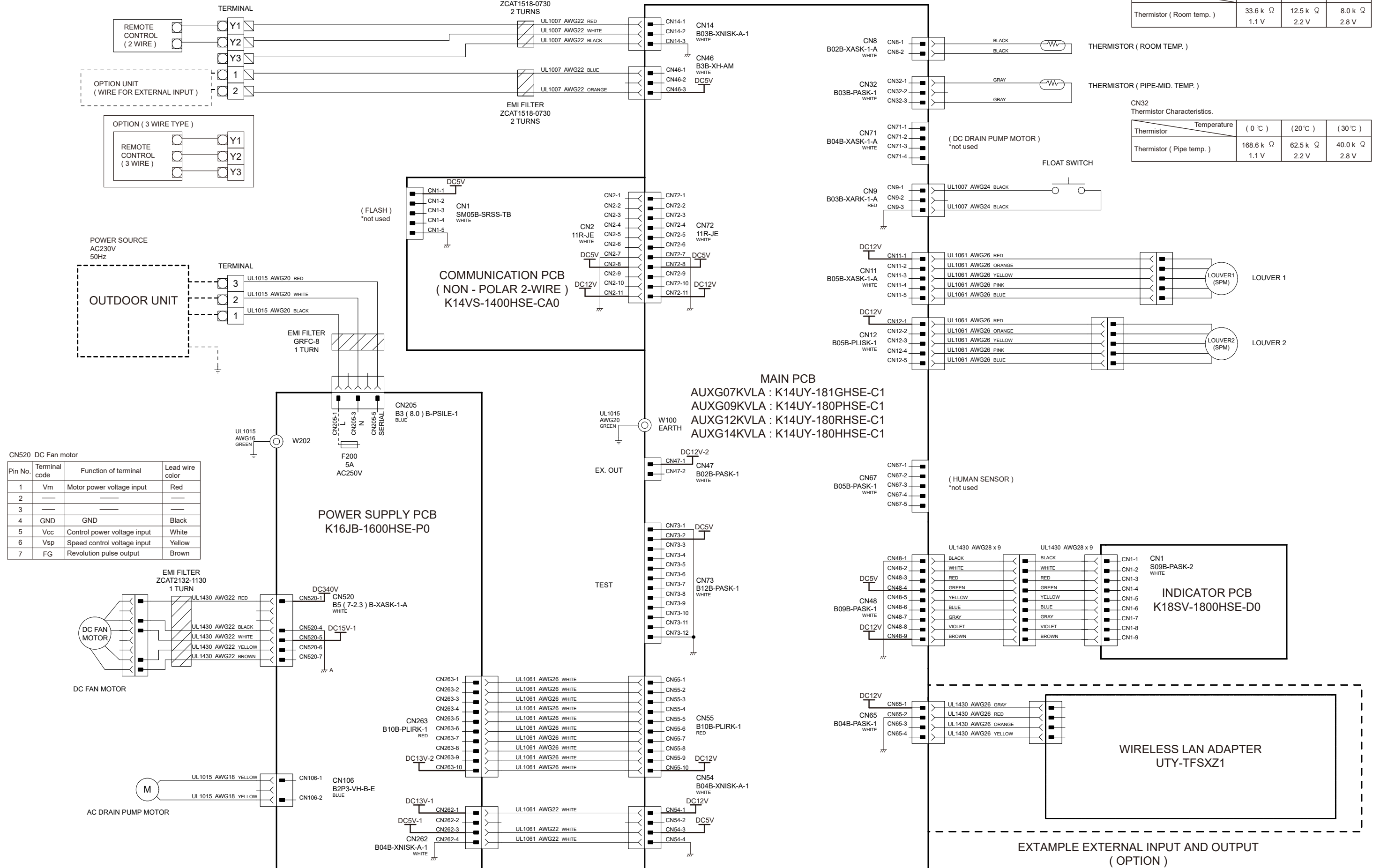
CONTROL UNIT
AUXG07KVLA : EZ-01835HSE
AUXG09KVLA : EZ-0181RHSE
AUXG12KVLA : EZ-0181SHSE
AUXG14KVLA : EZ-0181CHSE

CN8
Thermistor Characteristics.

Thermistor	Temperature	(0 °C)	(20 °C)	(30 °C)
Thermistor (Room temp.)		33.6 k Ω	12.5 k Ω	8.0 k Ω
		1.1 V	2.2 V	2.8 V

CN32
Thermistor Characteristics.

Thermistor	Temperature	(0 °C)	(20 °C)	(30 °C)
Thermistor (Pipe temp.)		168.6 k Ω	62.5 k Ω	40.0 k Ω
		1.1 V	2.2 V	2.8 V

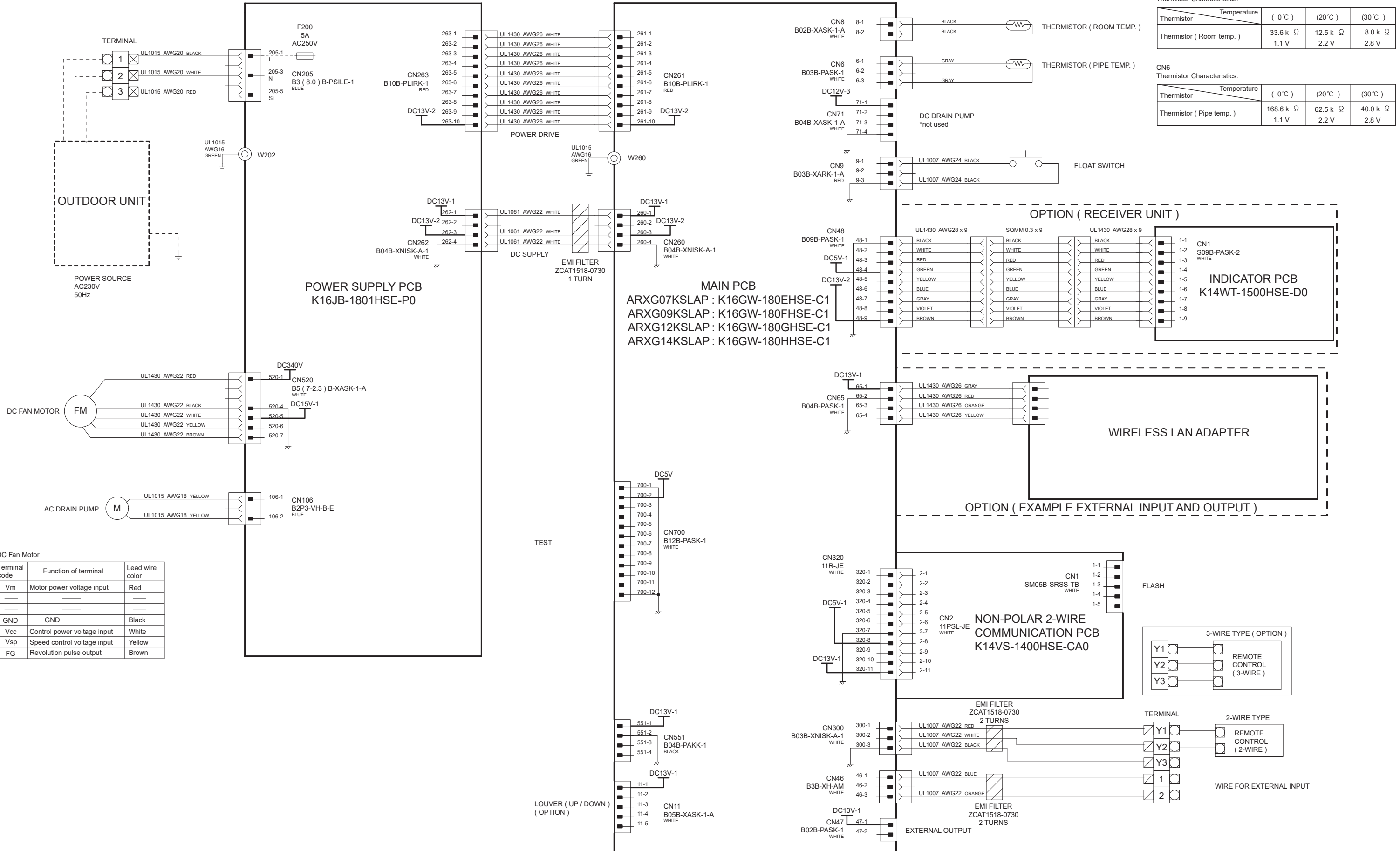


CN520 DC Fan motor

Pin No.	Terminal code	Function of terminal	Lead wire color
1	Vm	Motor power voltage input	Red
2	---	---	---
3	---	---	---
4	GND	GND	Black
5	Vcc	Control power voltage input	White
6	Vsp	Speed control voltage input	Yellow
7	FG	Revolution pulse output	Brown

Models : ARXG07KSLAP
 ARXG09KSLAP
 ARXG12KSLAP
 ARXG14KSLAP

CONTROL UNIT
 ARXG07KSLAP : EZ-01830HSE
 ARXG09KSLAP : EZ-01831HSE
 ARXG12KSLAP : EZ-01832HSE
 ARXG14KSLAP : EZ-01833HSE



CN8 Thermistor Characteristics.

Thermistor	Temperature (0°C)	(20°C)	(30°C)
Thermistor (Room temp.)	33.6 k Ω	12.5 k Ω	8.0 k Ω
	1.1 V	2.2 V	2.8 V

CN6 Thermistor Characteristics.

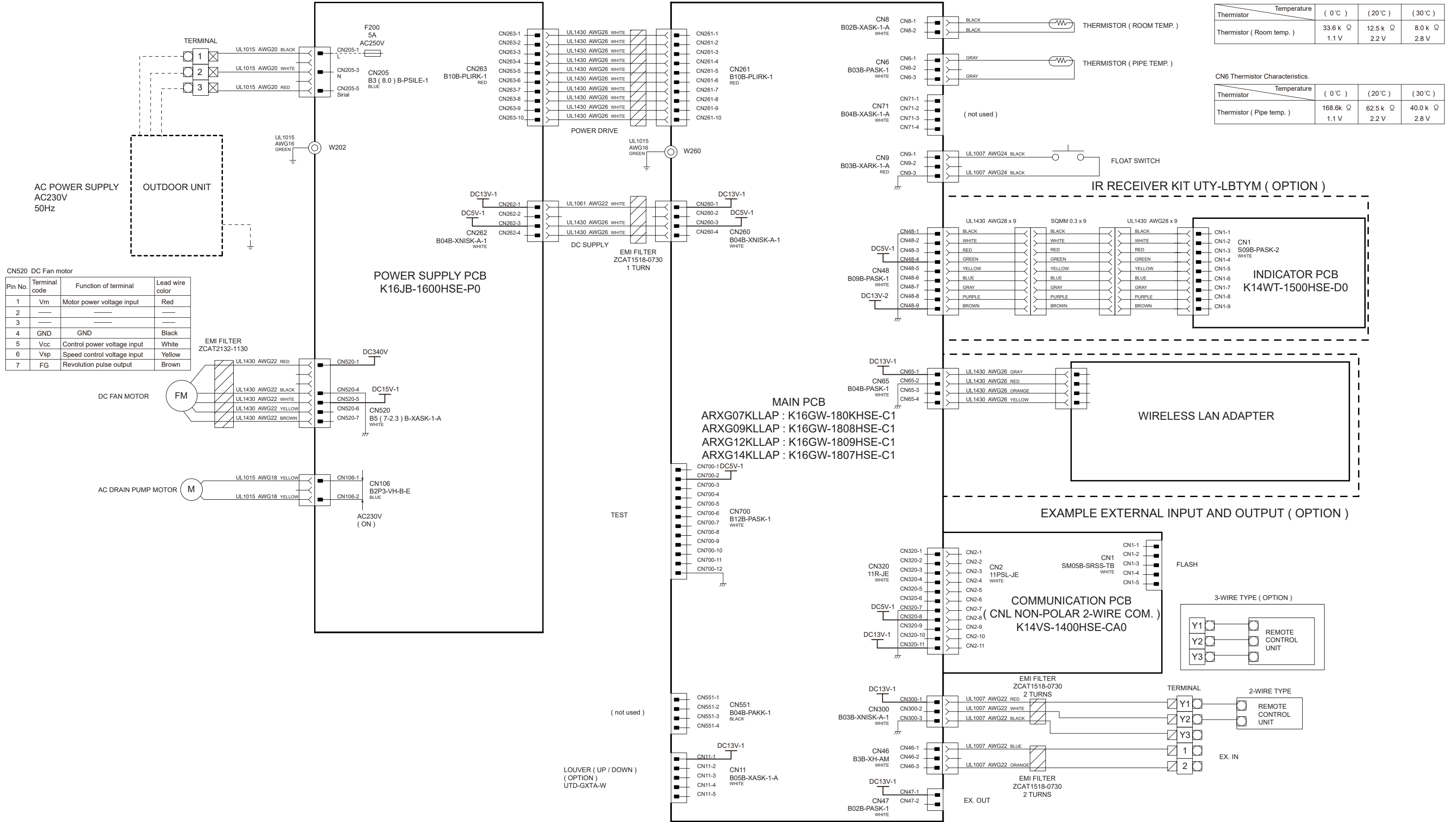
Thermistor	Temperature (0°C)	(20°C)	(30°C)
Thermistor (Pipe temp.)	168.6 k Ω	62.5 k Ω	40.0 k Ω
	1.1 V	2.2 V	2.8 V

CN520 DC Fan Motor

Pin No.	Terminal code	Function of terminal	Lead wire color
1	Vm	Motor power voltage input	Red
2	---	---	---
3	---	---	---
4	GND	GND	Black
5	Vcc	Control power voltage input	White
6	Vsp	Speed control voltage input	Yellow
7	FG	Revolution pulse output	Brown

Models : ARXG07KLLAP
 ARXG09KLLAP
 ARXG12KLLAP
 ARXG14KLLAP

CONTROL UNIT
 ARXG07KLLAP : EZ-01834HSE
 ARXG09KLLAP : EZ-0181YHSE
 ARXG12KLLAP : EZ-01820HSE
 ARXG14KLLAP : EZ-01814HSE



CN8 Thermistor Characteristics.

Thermistor	Temperature (0°C)	(20°C)	(30°C)
Thermistor (Room temp.)	33.6 k Ω	12.5 k Ω	8.0 k Ω
	1.1 V	2.2 V	2.8 V

CN6 Thermistor Characteristics.

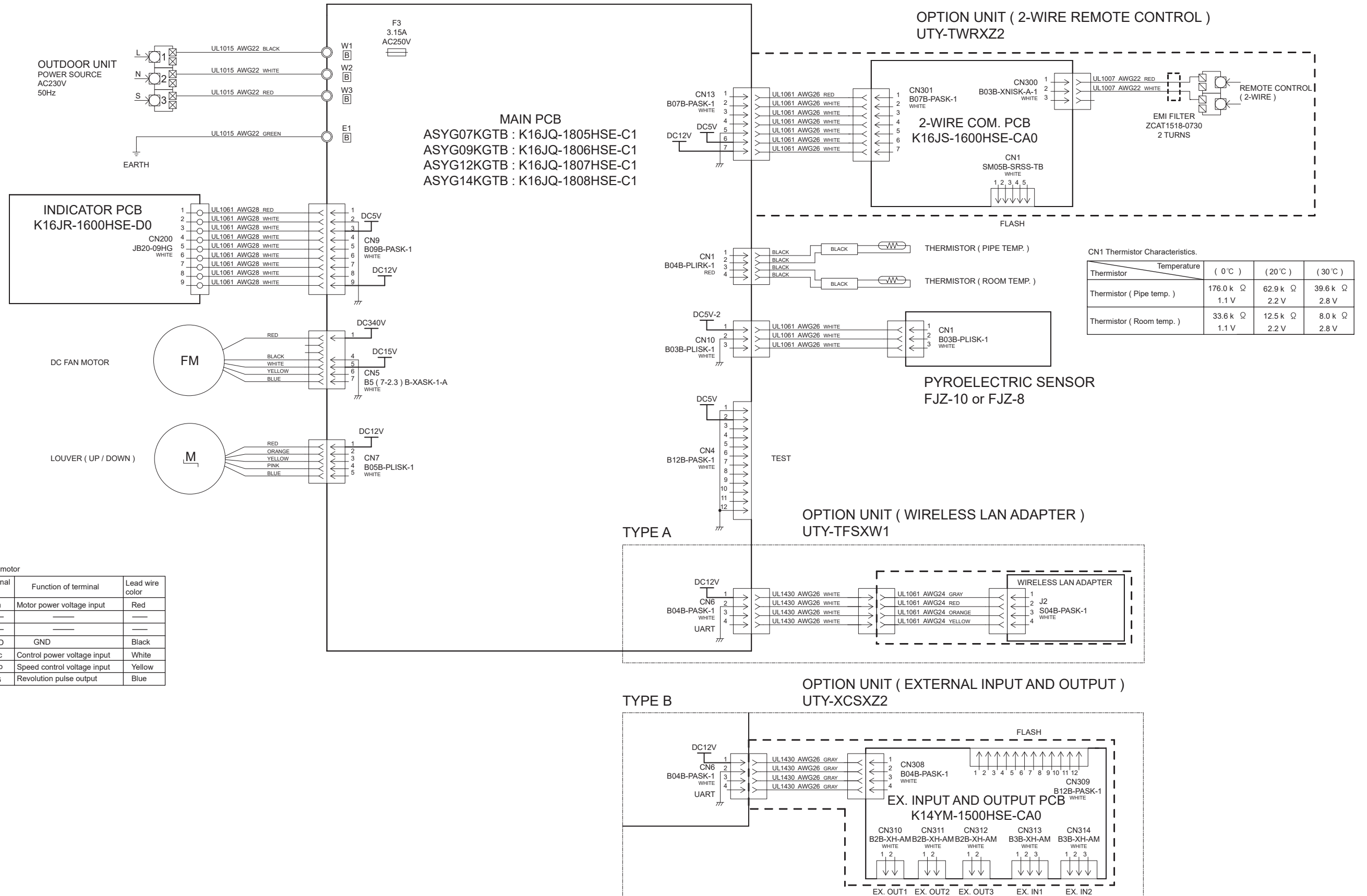
Thermistor	Temperature (0°C)	(20°C)	(30°C)
Thermistor (Pipe temp.)	168.6k Ω	62.5 k Ω	40.0 k Ω
	1.1 V	2.2 V	2.8 V

CN520 DC Fan motor

Pin No.	Terminal code	Function of terminal	Lead wire color
1	Vm	Motor power voltage input	Red
2	—	—	—
3	—	—	—
4	GND	GND	Black
5	Vcc	Control power voltage input	White
6	Vsp	Speed control voltage input	Yellow
7	FG	Revolution pulse output	Brown

Models : ASYG07KGTB
 ASYG09KGTB
 ASYG12KGTB
 ASYG14KGTB

CONTROL UNIT
 ASYG07KGTB : EZ-0183LHSE
 ASYG09KGTB : EZ-0183MHSE
 ASYG12KGTB : EZ-0183PHSE
 ASYG14KGTB : EZ-0183RHSE



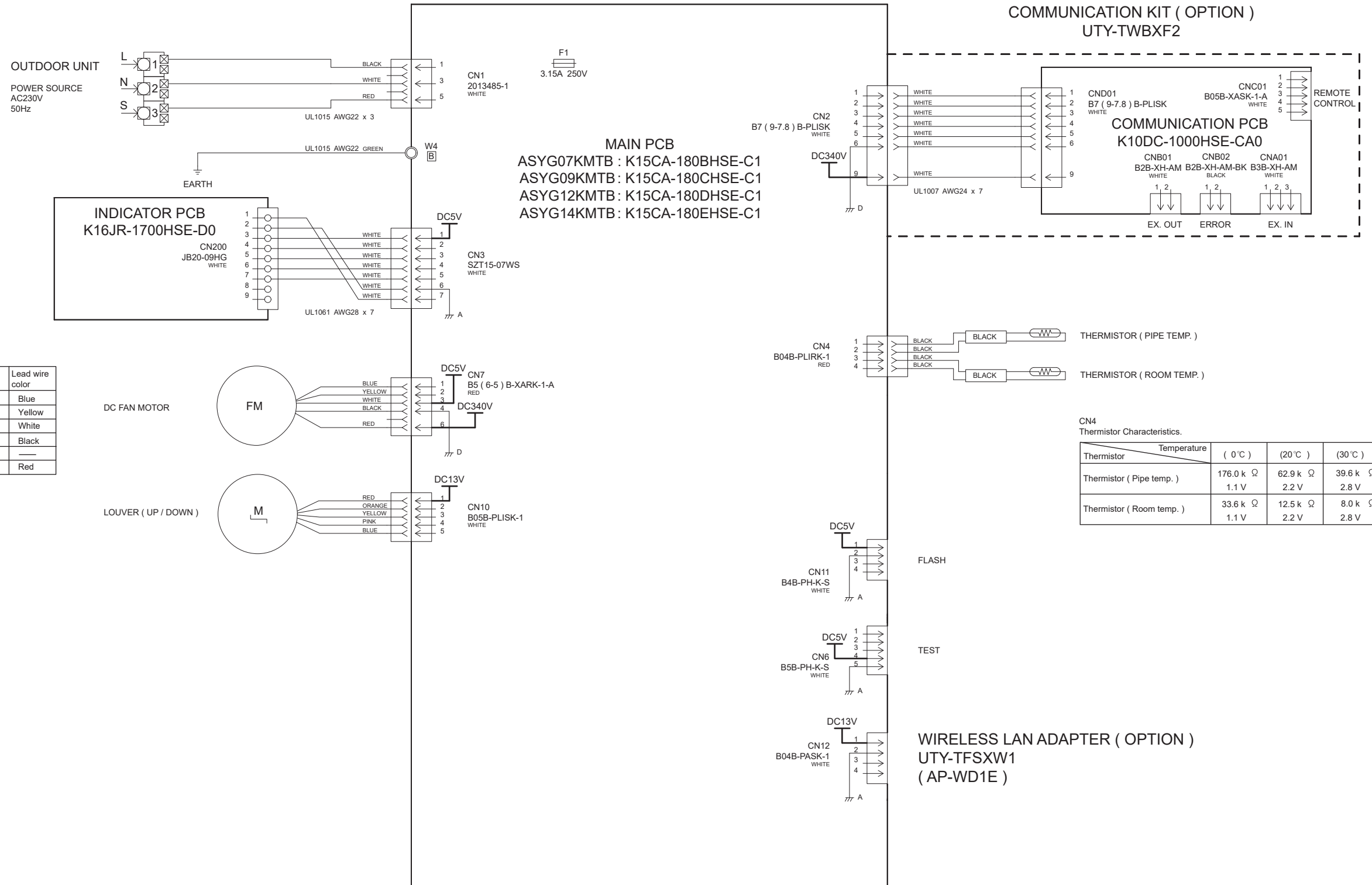
CN5 DC Fan motor

Pin No.	Terminal code	Function of terminal	Lead wire color
7	Vm	Motor power voltage input	Red
6	—	—	—
5	—	—	—
4	GND	GND	Black
3	Vcc	Control power voltage input	White
2	Vsp	Speed control voltage input	Yellow
1	PG	Revolution pulse output	Blue

Option unit : One of the type A or the type B is chosen.

Models : ASYG07KMTB
 ASYG09KMTB
 ASYG12KMTB
 ASYG14KMTB

CONTROL UNIT
 ASYG07KMTB : EZ-0183EHSE
 ASYG09KMTB : EZ-0183FHSE
 ASYG12KMTB : EZ-0183DHSE
 ASYG14KMTB : EZ-0183HHSE



CN7 DC Fan motor

Pin No.	Terminal code	Function of terminal	Lead wire color
1	FG	Revolution pulse output	Blue
2	Vsp	Speed control voltage input	Yellow
3	Vcc	Control power voltage input	White
4	GND	GND	Black
5			
6	Vm	Motor power voltage input	Red

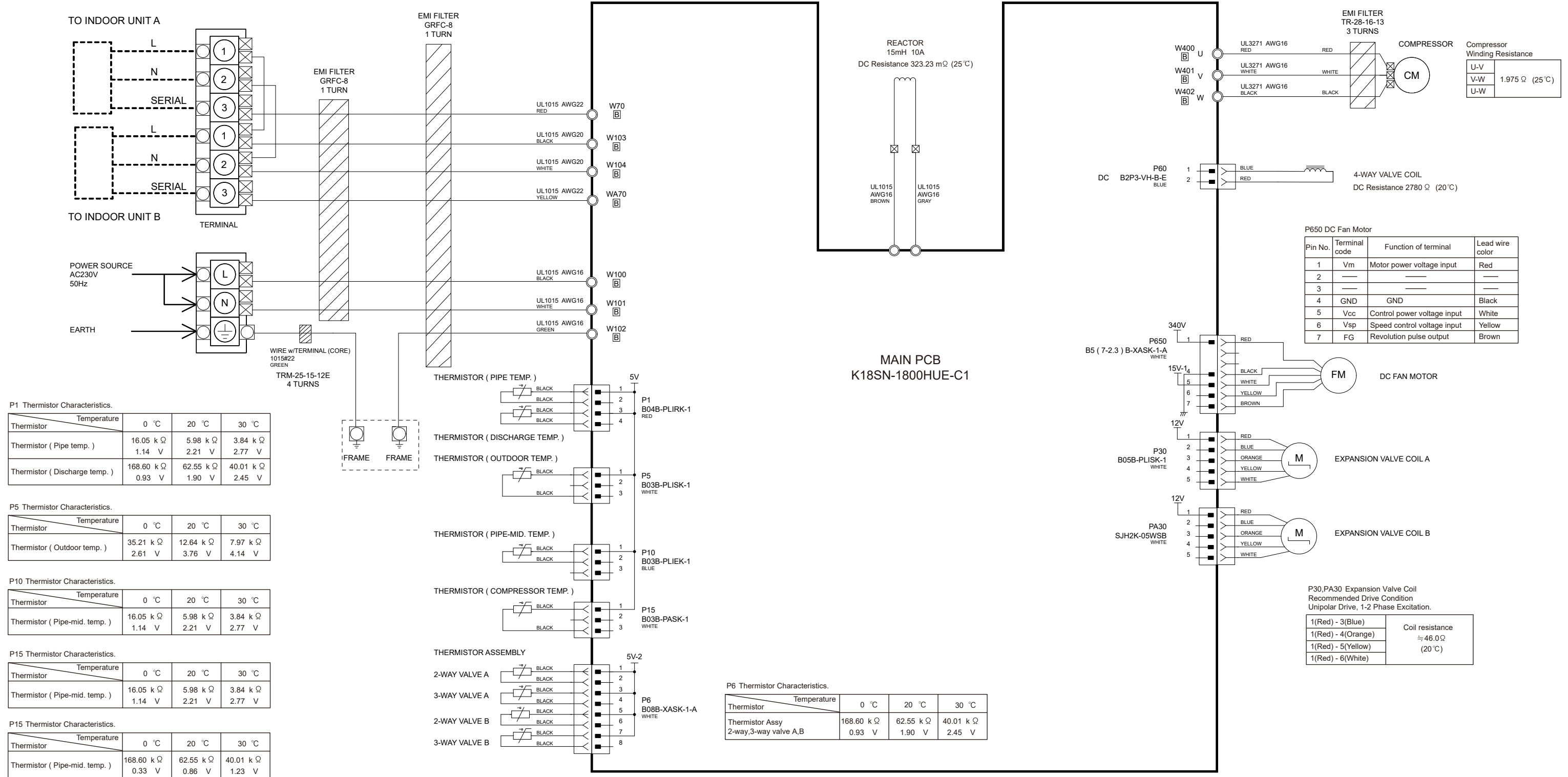
CN4 Thermistor Characteristics.

Thermistor	Temperature		
	(0°C)	(20°C)	(30°C)
Thermistor (Pipe temp.)	176.0 k Ω	62.9 k Ω	39.6 k Ω
	1.1 V	2.2 V	2.8 V
Thermistor (Room temp.)	33.6 k Ω	12.5 k Ω	8.0 k Ω
	1.1 V	2.2 V	2.8 V

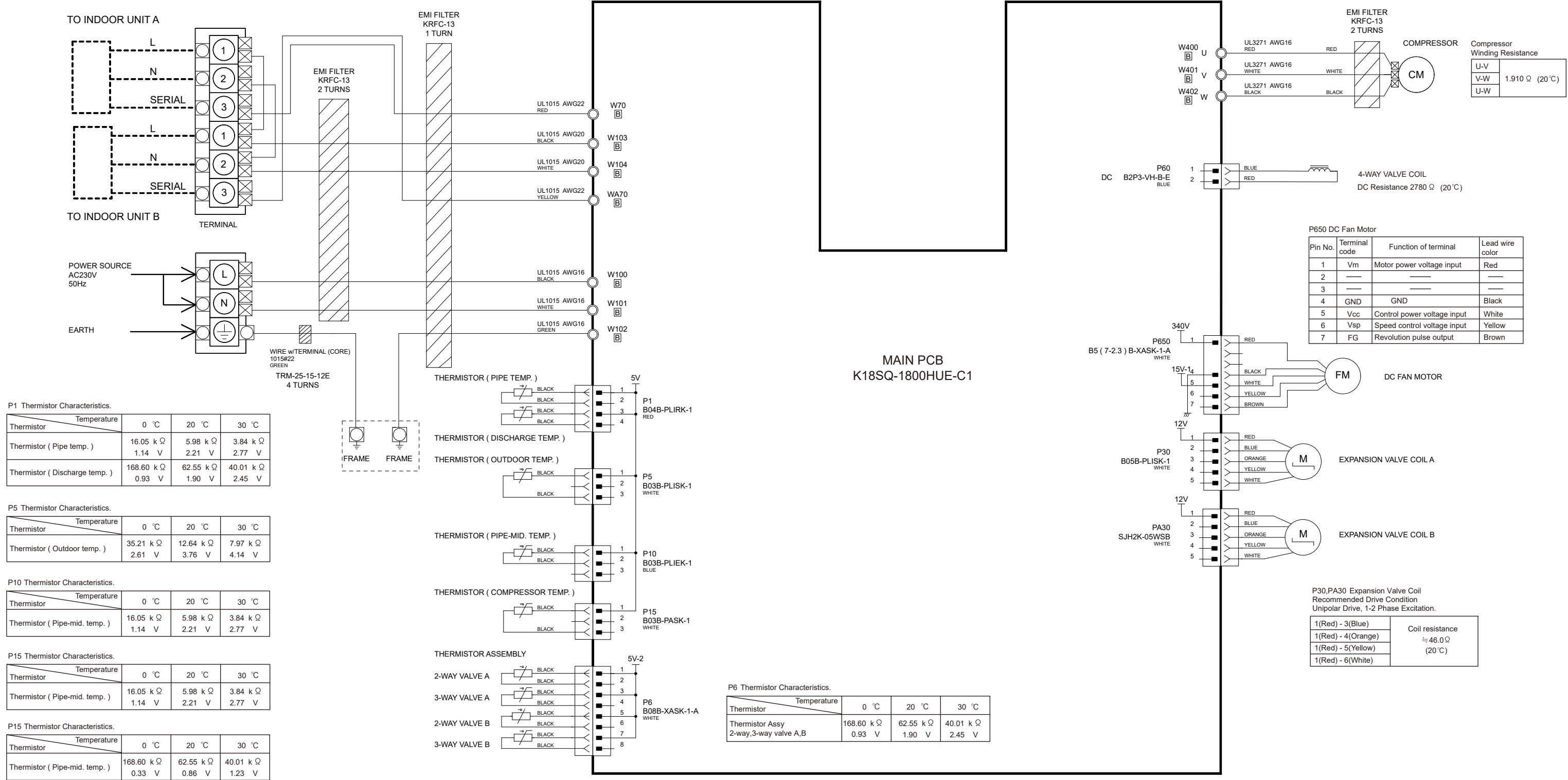
OUTDOOR PRINTED CIRCUIT BOARD CIRCUIT DIAGRAM

Model : AOYG14KBTA2

INVERTER ASSEMBLY EZ-01828HUE



INVERTER ASSEMBLY EZ-01829HUE



P1 Thermistor Characteristics.

Thermistor	Temperature	0 °C	20 °C	30 °C
Thermistor (Pipe temp.)		16.05 k Ω	5.98 k Ω	3.84 k Ω
		1.14 V	2.21 V	2.77 V
Thermistor (Discharge temp.)		168.60 k Ω	62.55 k Ω	40.01 k Ω
		0.93 V	1.90 V	2.45 V

P5 Thermistor Characteristics.

Thermistor	Temperature	0 °C	20 °C	30 °C
Thermistor (Outdoor temp.)		35.21 k Ω	12.64 k Ω	7.97 k Ω
		2.61 V	3.76 V	4.14 V

P10 Thermistor Characteristics.

Thermistor	Temperature	0 °C	20 °C	30 °C
Thermistor (Pipe-mid. temp.)		16.05 k Ω	5.98 k Ω	3.84 k Ω
		1.14 V	2.21 V	2.77 V

P15 Thermistor Characteristics.

Thermistor	Temperature	0 °C	20 °C	30 °C
Thermistor (Pipe-mid. temp.)		16.05 k Ω	5.98 k Ω	3.84 k Ω
		1.14 V	2.21 V	2.77 V

P15 Thermistor Characteristics.

Thermistor	Temperature	0 °C	20 °C	30 °C
Thermistor (Pipe-mid. temp.)		168.60 k Ω	62.55 k Ω	40.01 k Ω
		0.33 V	0.86 V	1.23 V

P6 Thermistor Characteristics.

Thermistor	Temperature	0 °C	20 °C	30 °C
Thermistor Assy		168.60 k Ω	62.55 k Ω	40.01 k Ω
2-way,3-way valve A,B		0.93 V	1.90 V	2.45 V

Compressor Winding Resistance

U-V	1.910 Ω (20°C)
V-W	
U-W	

P650 DC Fan Motor

Pin No.	Terminal code	Function of terminal	Lead wire color
1	Vm	Motor power voltage input	Red
2	---	---	---
3	---	---	---
4	GND	GND	Black
5	Vcc	Control power voltage input	White
6	Vsp	Speed control voltage input	Yellow
7	FG	Revolution pulse output	Brown

P30,PA30 Expansion Valve Coil Recommended Drive Condition

1(Red) - 3(Blue)	Coil resistance ≈ 46.0 Ω (20°C)
1(Red) - 4(Orange)	
1(Red) - 5(Yellow)	
1(Red) - 6(White)	

Error codes

Compact cassette type

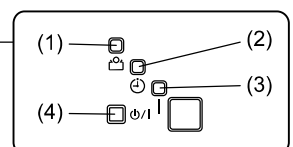
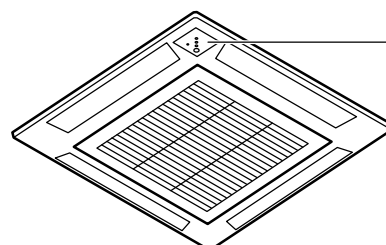
If you use a wireless remote controller, the lamp on the photo detector unit will output error codes by way of blinking patterns. If you use a wired remote controller, error codes will appear on the remote control display. Refer to the lamp blinking patterns and error codes in the table. An error display is displayed only during operation.

Error display			Error code	Description
OPERATION lamp (green)	TIMER lamp (orange)	ECONOMY lamp (green)		
●(1)	●(1)	◇	11	Serial communication error
●(1)	●(2)	◇	12	• Wired remote controller communication error • Server room control communication error
●(1)	●(5)	◇	15	Check run unfinished Automatic airflow adjustment error
●(1)	●(6)	◇	16	Peripheral unit transmission PCB connection error
●(1)	●(8)	◇	18	External communication error
●(2)	●(1)	◇	21	Unit number or Refrigerant circuit address setting error [Simultaneous Multi]
●(2)	●(2)	◇	22	Indoor unit capacity error
●(2)	●(3)	◇	23	Combination error
●(2)	●(4)	◇	24	• Connection unit number error (indoor secondary unit) [Simultaneous Multi] • Connection unit number error (indoor unit or branch unit) [Flexible Multi]
●(2)	●(6)	◇	26	Indoor unit address setting error
●(2)	●(7)	◇	27	Primary unit, secondary unit setup error [Simultaneous Multi]
●(2)	●(9)	◇	29	Connection unit number error in wired remote controller system
●(3)	●(1)	◇	31	Power supply interruption error
●(3)	●(2)	◇	32	Indoor unit PCB model information error
●(3)	●(3)	◇	33	Indoor unit motor electricity consumption detection error
●(3)	●(5)	◇	35	Manual auto switch error
●(3)	●(9)	◇	39	Indoor unit power supply error for fan motor
●(3)	●(10)	◇	3A	Indoor unit communication circuit (wired remote controller) error
●(4)	●(1)	◇	41	Room temp. sensor error
●(4)	●(2)	◇	42	Indoor unit heat ex. middle temp. sensor error
●(4)	●(4)	◇	44	Human sensor error
●(5)	●(1)	◇	51	Indoor unit fan motor error
●(5)	●(3)	◇	53	Drain pump error
●(5)	●(4)	◇	54	Electric air cleaner reverse VDD error
●(5)	●(5)	◇	55	Filter set error
●(5)	●(7)	◇	57	Damper error
●(5)	●(8)	◇	58	Intake grille error
●(5)	●(9)	◇	59	Indoor unit fan motor 2 error (Left side fan)
●(5)	●(10)	◇	5A	Indoor unit fan motor 3 error (Right side fan)
●(5)	●(15)	◇	5U	Indoor unit error

Error display			Error code	Description
OPERATION lamp (green)	TIMER lamp (orange)	ECONOMY lamp (green)		
●(6)	●(1)	◇	61	Outdoor unit reverse/missing phase and wiring error
●(6)	●(2)	◇	62	Outdoor unit main PCB model information error or communication error
●(6)	●(3)	◇	63	Inverter error
●(6)	●(4)	◇	64	Active filter error, PFC circuit error
●(6)	●(5)	◇	65	Trip terminal L error
●(6)	●(8)	◇	68	Outdoor unit rush current limiting resistor temp. rise error
●(6)	●(10)	◇	6A	Display PCB microcomputers communication error
●(7)	●(1)	◇	71	Discharge temp. sensor error
●(7)	●(2)	◇	72	Compressor temp. sensor error
●(7)	●(3)	◇	73	Outdoor unit Heat Ex. liquid temp. sensor error
●(7)	●(4)	◇	74	Outdoor temp. sensor error
●(7)	●(5)	◇	75	Suction Gas temp. sensor error
●(7)	●(6)	◇	76	• 2-way valve temp. sensor error • 3-way valve temp. sensor error
●(7)	●(7)	◇	77	Heat sink temp. sensor error
●(8)	●(2)	◇	82	• Sub-cool Heat Ex. gas inlet temp. sensor error • Sub-cool Heat Ex. gas outlet temp. sensor error
●(8)	●(3)	◇	83	Liquid pipe temp. sensor error
●(8)	●(4)	◇	84	Current sensor error
●(8)	●(6)	◇	86	• Discharge pressure sensor error • Suction pressure sensor error • High pressure switch error
●(9)	●(4)	◇	94	Trip detection
●(9)	●(5)	◇	95	Compressor rotor position detection error (permanent stop)
●(9)	●(7)	◇	97	Outdoor unit fan motor 1 error
●(9)	●(8)	◇	98	Outdoor unit fan motor 2 error
●(9)	●(9)	◇	99	4-way valve error
●(9)	●(10)	◇	9A	Coil (expansion valve) error
●(10)	●(1)	◇	A1	Discharge temp. error
●(10)	●(3)	◇	A3	Compressor temp. error
●(10)	●(4)	◇	A4	High pressure error
●(10)	●(5)	◇	A5	Low pressure error
●(13)	●(2)	◇	J2	Branch boxes error [Flexible Multi]

Display mode ● : 0.5s ON / 0.5s OFF
◇ : 0.1s ON / 0.1s OFF
() : Number of flashing

■ Error display on the indoor unit



- (1) ECONOMY indicator lamp (Green)
- (2) Timer indicator lamp (Orange)
- (3) Operation indicator lamp (Green)
- (4) Manual auto button

Mini duct type

If you use a wireless remote controller, the lamp on the photo detector unit will output error codes by way of blinking patterns. If you use a wired remote controller, error codes will appear on the remote control display. Refer to the lamp blinking patterns and error codes in the table. An error display is displayed only during operation.

Error display			Error code	Description
OPERATION lamp (green)	TIMER lamp (orange)	ECONOMY lamp (green)		
●(1)	●(1)	◇	11	Serial communication error
●(1)	●(2)	◇	12	• Wired remote controller communication error • Server room control communication error
●(1)	●(5)	◇	15	Check run unfinished Automatic airflow adjustment error
●(1)	●(6)	◇	16	Peripheral unit transmission PCB connection error
●(1)	●(8)	◇	18	External communication error
●(2)	●(1)	◇	21	Unit number or Refrigerant circuit address setting error [Simultaneous Multi]
●(2)	●(2)	◇	22	Indoor unit capacity error
●(2)	●(3)	◇	23	Combination error
●(2)	●(4)	◇	24	• Connection unit number error (indoor secondary unit) [Simultaneous Multi] • Connection unit number error (indoor unit or branch unit) [Flexible Multi]
●(2)	●(6)	◇	26	Indoor unit address setting error
●(2)	●(7)	◇	27	Primary unit, secondary unit setup error [Simultaneous Multi]
●(2)	●(9)	◇	29	Connection unit number error in wired remote controller system
●(3)	●(1)	◇	31	Power supply interruption error
●(3)	●(2)	◇	32	Indoor unit PCB model information error
●(3)	●(3)	◇	33	Indoor unit motor electricity consumption detection error
●(3)	●(5)	◇	35	Manual auto switch error
●(3)	●(9)	◇	39	Indoor unit power supply error for fan motor
●(3)	●(10)	◇	3A	Indoor unit communication circuit (wired remote controller) error
●(4)	●(1)	◇	41	Room temp. sensor error
●(4)	●(2)	◇	42	Indoor unit heat ex. middle temp. sensor error
●(4)	●(4)	◇	44	Human sensor error
●(5)	●(1)	◇	51	Indoor unit fan motor error
●(5)	●(3)	◇	53	Drain pump error
●(5)	●(4)	◇	54	Electric air cleaner reverse VDD error
●(5)	●(5)	◇	55	Filter set error
●(5)	●(7)	◇	57	Damper error
●(5)	●(8)	◇	58	Intake grille error
●(5)	●(9)	◇	59	Indoor unit fan motor 2 error (Left side fan)
●(5)	●(10)	◇	5A	Indoor unit fan motor 3 error (Right side fan)
●(5)	●(15)	◇	5U	Indoor unit error

Error display			Error code	Description
OPERATION lamp (green)	TIMER lamp (orange)	ECONOMY lamp (green)		
●(6)	●(1)	◇	61	Outdoor unit reverse/missing phase and wiring error
●(6)	●(2)	◇	62	Outdoor unit main PCB model information error or communication error
●(6)	●(3)	◇	63	Inverter error
●(6)	●(4)	◇	64	Active filter error, PFC circuit error
●(6)	●(5)	◇	65	Trip terminal L error
●(6)	●(8)	◇	68	Outdoor unit rush current limiting resistor temp. rise error
●(6)	●(10)	◇	6A	Display PCB microcomputers communication error
●(7)	●(1)	◇	71	Discharge temp. sensor error
●(7)	●(2)	◇	72	Compressor temp. sensor error
●(7)	●(3)	◇	73	Outdoor unit Heat Ex. liquid temp. sensor error
●(7)	●(4)	◇	74	Outdoor temp. sensor error
●(7)	●(5)	◇	75	Suction Gas temp. sensor error
●(7)	●(6)	◇	76	• 2-way valve temp. sensor error • 3-way valve temp. sensor error
●(7)	●(7)	◇	77	Heat sink temp. sensor error
●(8)	●(2)	◇	82	• Sub-cool Heat Ex. gas inlet temp. sensor error • Sub-cool Heat Ex. gas outlet temp. sensor error
●(8)	●(3)	◇	83	Liquid pipe temp. sensor error
●(8)	●(4)	◇	84	Current sensor error
●(8)	●(6)	◇	86	• Discharge pressure sensor error • Suction pressure sensor error • High pressure switch error
●(9)	●(4)	◇	94	Trip detection
●(9)	●(5)	◇	95	Compressor rotor position detection error (permanent stop)
●(9)	●(7)	◇	97	Outdoor unit fan motor 1 error
●(9)	●(8)	◇	98	Outdoor unit fan motor 2 error
●(9)	●(9)	◇	99	4-way valve error
●(9)	●(10)	◇	9A	Coil (expansion valve) error
●(10)	●(1)	◇	A1	Discharge temp. error
●(10)	●(3)	◇	A3	Compressor temp. error
●(10)	●(4)	◇	A4	High pressure error
●(10)	●(5)	◇	A5	Low pressure error
●(13)	●(2)	◇	J2	Branch boxes error [Flexible Multi]

Display mode ● : 0.5s ON / 0.5s OFF
◇ : 0.1s ON / 0.1s OFF
() : Number of flashing

Slim duct type

If you use a wireless remote controller, the lamp on the photo detector unit will output error codes by way of blinking patterns. If you use a wired remote controller, error codes will appear on the remote control display. Refer to the lamp blinking patterns and error codes in the table. An error display is displayed only during operation.

Error display			Error code	Description
OPERATION lamp (green)	TIMER lamp (orange)	ECONOMY lamp (green)		
●(1)	●(1)	◇	11	Serial communication error
●(1)	●(2)	◇	12	• Wired remote controller communication error • Server room control communication error
●(1)	●(5)	◇	15	Check run unfinished Automatic airflow adjustment error
●(1)	●(6)	◇	16	Peripheral unit transmission PCB connection error
●(1)	●(8)	◇	18	External communication error
●(2)	●(1)	◇	21	Unit number or Refrigerant circuit address setting error [Simultaneous Multi]
●(2)	●(2)	◇	22	Indoor unit capacity error
●(2)	●(3)	◇	23	Combination error
●(2)	●(4)	◇	24	• Connection unit number error (indoor secondary unit) [Simultaneous Multi] • Connection unit number error (indoor unit or branch unit) [Flexible Multi]
●(2)	●(6)	◇	26	Indoor unit address setting error
●(2)	●(7)	◇	27	Primary unit, secondary unit setup error [Simultaneous Multi]
●(2)	●(9)	◇	29	Connection unit number error in wired remote controller system
●(3)	●(1)	◇	31	Power supply interruption error
●(3)	●(2)	◇	32	Indoor unit PCB model information error
●(3)	●(3)	◇	33	Indoor unit motor electricity consumption detection error
●(3)	●(5)	◇	35	Manual auto switch error
●(3)	●(9)	◇	39	Indoor unit power supply error for fan motor
●(3)	●(10)	◇	3A	Indoor unit communication circuit (wired remote controller) error
●(4)	●(1)	◇	41	Room temp. sensor error
●(4)	●(2)	◇	42	Indoor unit heat ex. middle temp. sensor error
●(4)	●(4)	◇	44	Human sensor error
●(5)	●(1)	◇	51	Indoor unit fan motor error
●(5)	●(3)	◇	53	Drain pump error
●(5)	●(4)	◇	54	Electric air cleaner reverse VDD error
●(5)	●(5)	◇	55	Filter set error
●(5)	●(7)	◇	57	Damper error
●(5)	●(8)	◇	58	Intake grille error
●(5)	●(9)	◇	59	Indoor unit fan motor 2 error (Left side fan)
●(5)	●(10)	◇	5A	Indoor unit fan motor 3 error (Right side fan)
●(5)	●(15)	◇	5U	Indoor unit error

Error display			Error code	Description
OPERATION lamp (green)	TIMER lamp (orange)	ECONOMY lamp (green)		
●(6)	●(1)	◇	61	Outdoor unit reverse/missing phase and wiring error
●(6)	●(2)	◇	62	Outdoor unit main PCB model information error or communication error
●(6)	●(3)	◇	63	Inverter error
●(6)	●(4)	◇	64	Active filter error, PFC circuit error
●(6)	●(5)	◇	65	Trip terminal L error
●(6)	●(8)	◇	68	Outdoor unit rush current limiting resistor temp. rise error
●(6)	●(10)	◇	6A	Display PCB microcomputers communication error
●(7)	●(1)	◇	71	Discharge temp. sensor error
●(7)	●(2)	◇	72	Compressor temp. sensor error
●(7)	●(3)	◇	73	Outdoor unit Heat Ex. liquid temp. sensor error
●(7)	●(4)	◇	74	Outdoor temp. sensor error
●(7)	●(5)	◇	75	Suction Gas temp. sensor error
●(7)	●(6)	◇	76	• 2-way valve temp. sensor error • 3-way valve temp. sensor error
●(7)	●(7)	◇	77	Heat sink temp. sensor error
●(8)	●(2)	◇	82	• Sub-cool Heat Ex. gas inlet temp. sensor error • Sub-cool Heat Ex. gas outlet temp. sensor error
●(8)	●(3)	◇	83	Liquid pipe temp. sensor error
●(8)	●(4)	◇	84	Current sensor error
●(8)	●(6)	◇	86	• Discharge pressure sensor error • Suction pressure sensor error • High pressure switch error
●(9)	●(4)	◇	94	Trip detection
●(9)	●(5)	◇	95	Compressor rotor position detection error (permanent stop)
●(9)	●(7)	◇	97	Outdoor unit fan motor 1 error
●(9)	●(8)	◇	98	Outdoor unit fan motor 2 error
●(9)	●(9)	◇	99	4-way valve error
●(9)	●(10)	◇	9A	Coil (expansion valve) error
●(10)	●(1)	◇	A1	Discharge temp. error
●(10)	●(3)	◇	A3	Compressor temp. error
●(10)	●(4)	◇	A4	High pressure error
●(10)	●(5)	◇	A5	Low pressure error
●(13)	●(2)	◇	J2	Branch boxes error [Flexible Multi]

Display mode ● : 0.5s ON / 0.5s OFF
◇ : 0.1s ON / 0.1s OFF
() : Number of flashing

Wall mounted KGTB type

If you use a wireless remote controller, the lamp on the photo detector unit will output error codes by way of blinking patterns. If you use a wired remote controller, error codes will appear on the remote control display. Refer to the lamp blinking patterns and error codes in the table. An error display is displayed only during operation.

Error display			Error code	Description
OPERATION lamp (green)	TIMER lamp (orange)	ECONOMY lamp (green)		
●(1)	●(1)	◇	11	Serial communication error
●(1)	●(2)	◇	12	• Wired remote controller communication error • Server room control communication error
●(1)	●(5)	◇	15	Check run unfinished Automatic airflow adjustment error
●(1)	●(6)	◇	16	Peripheral unit transmission PCB connection error
●(1)	●(8)	◇	18	External communication error
●(2)	●(1)	◇	21	Unit number or Refrigerant circuit address setting error [Simultaneous Multi]
●(2)	●(2)	◇	22	Indoor unit capacity error
●(2)	●(3)	◇	23	Combination error
●(2)	●(4)	◇	24	• Connection unit number error (indoor secondary unit) [Simultaneous Multi] • Connection unit number error (indoor unit or branch unit) [Flexible Multi]
●(2)	●(6)	◇	26	Indoor unit address setting error
●(2)	●(7)	◇	27	Primary unit, secondary unit setup error [Simultaneous Multi]
●(2)	●(9)	◇	29	Connection unit number error in wired remote controller system
●(3)	●(1)	◇	31	Power supply interruption error
●(3)	●(2)	◇	32	Indoor unit PCB model information error
●(3)	●(3)	◇	33	Indoor unit motor electricity consumption detection error
●(3)	●(5)	◇	35	Manual auto switch error
●(3)	●(9)	◇	39	Indoor unit power supply error for fan motor
●(3)	●(10)	◇	3A	Indoor unit communication circuit (wired remote controller) error
●(4)	●(1)	◇	41	Room temp. sensor error
●(4)	●(2)	◇	42	Indoor unit heat ex. middle temp. sensor error
●(4)	●(4)	◇	44	Human sensor error
●(5)	●(1)	◇	51	Indoor unit fan motor error
●(5)	●(3)	◇	53	Drain pump error
●(5)	●(4)	◇	54	Electric air cleaner reverse VDD error
●(5)	●(5)	◇	55	Filter set error
●(5)	●(7)	◇	57	Damper error
●(5)	●(8)	◇	58	Intake grille error
●(5)	●(9)	◇	59	Indoor unit fan motor 2 error (Left side fan)
●(5)	●(10)	◇	5A	Indoor unit fan motor 3 error (Right side fan)
●(5)	●(15)	◇	5U	Indoor unit error
●(6)	●(1)	◇	61	• Outdoor unit reverse/missing phase and wiring error

Error display			Error code	Description
OPERATION lamp (green)	TIMER lamp (orange)	ECONOMY lamp (green)		
●(6)	●(2)	◇	62	Outdoor unit main PCB model information error or communication error
●(6)	●(3)	◇	63	Inverter error
●(6)	●(4)	◇	64	Active filter error, PFC circuit error
●(6)	●(5)	◇	65	Trip terminal L error
●(6)	●(8)	◇	68	Outdoor unit rush current limiting resistor temp. rise error
●(6)	●(10)	◇	6A	Display PCB microcomputers communication error
●(7)	●(1)	◇	71	Discharge temp. sensor error
●(7)	●(2)	◇	72	Compressor temp. sensor error
●(7)	●(3)	◇	73	Outdoor unit Heat Ex. liquid temp. sensor error
●(7)	●(4)	◇	74	Outdoor temp. sensor error
●(7)	●(5)	◇	75	Suction Gas temp. sensor error
●(7)	●(6)	◇	76	• 2-way valve temp. sensor error • 3-way valve temp. sensor error
●(7)	●(7)	◇	77	Heat sink temp. sensor error
●(8)	●(2)	◇	82	• Sub-cool Heat Ex. gas inlet temp. sensor error • Sub-cool Heat Ex. gas outlet temp. sensor error
●(8)	●(3)	◇	83	Liquid pipe temp. sensor error
●(8)	●(4)	◇	84	Current sensor error
●(8)	●(6)	◇	86	• Discharge pressure sensor error • Suction pressure sensor error • High pressure switch error
●(9)	●(4)	◇	94	Trip detection
●(9)	●(5)	◇	95	Compressor rotor position detection error (permanent stop)
●(9)	●(7)	◇	97	Outdoor unit fan motor 1 error
●(9)	●(8)	◇	98	Outdoor unit fan motor 2 error
●(9)	●(9)	◇	99	4-way valve error
●(9)	●(10)	◇	9A	Coil (expansion valve) error
●(10)	●(1)	◇	A1	Discharge temp. error
●(10)	●(3)	◇	A3	Compressor temp. error
●(10)	●(4)	◇	A4	High pressure error
●(10)	●(5)	◇	A5	Low pressure error
●(13)	●(2)	◇	J2	Branch boxes error [Flexible Multi]

Display mode ● : 0.5s ON / 0.5s OFF
◇ : 0.1s ON / 0.1s OFF
() : Number of flashing

■ Error display on the indoor unit



OPERATION indicator lamp (green)

TIMER indicator lamp (orange)

ECONOMY indicator lamp (green)

Wall mounted KMTB type

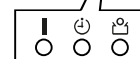
If you use a wireless remote controller, the lamp on the photo detector unit will output error codes by way of blinking patterns. If you use a wired remote controller, error codes will appear on the remote control display. Refer to the lamp blinking patterns and error codes in the table. An error display is displayed only during operation.

Error display			Error code	Description
OPERATION lamp (green)	TIMER lamp (orange)	ECONOMY lamp (green)		
●(1)	●(1)	◇	11	Serial communication error
●(1)	●(2)	◇	12	• Wired remote controller communication error • Server room control communication error
●(1)	●(5)	◇	15	Check run unfinished Automatic airflow adjustment error
●(1)	●(6)	◇	16	Peripheral unit transmission PCB connection error
●(1)	●(8)	◇	18	External communication error
●(2)	●(1)	◇	21	Unit number or Refrigerant circuit address setting error [Simultaneous Multi]
●(2)	●(2)	◇	22	Indoor unit capacity error
●(2)	●(3)	◇	23	Combination error
●(2)	●(4)	◇	24	• Connection unit number error (indoor secondary unit) [Simultaneous Multi] • Connection unit number error (indoor unit or branch unit) [Flexible Multi]
●(2)	●(6)	◇	26	Indoor unit address setting error
●(2)	●(7)	◇	27	Primary unit, secondary unit setup error [Simultaneous Multi]
●(2)	●(9)	◇	29	Connection unit number error in wired remote controller system
●(3)	●(1)	◇	31	Power supply interruption error
●(3)	●(2)	◇	32	Indoor unit PCB model information error
●(3)	●(3)	◇	33	Indoor unit motor electricity consumption detection error
●(3)	●(5)	◇	35	Manual auto switch error
●(3)	●(9)	◇	39	Indoor unit power supply error for fan motor
●(3)	●(10)	◇	3A	Indoor unit communication circuit (wired remote controller) error
●(4)	●(1)	◇	41	Room temp. sensor error
●(4)	●(2)	◇	42	Indoor unit heat ex. middle temp. sensor error
●(4)	●(4)	◇	44	Human sensor error
●(5)	●(1)	◇	51	Indoor unit fan motor error
●(5)	●(3)	◇	53	Drain pump error
●(5)	●(4)	◇	54	Electric air cleaner reverse VDD error
●(5)	●(5)	◇	55	Filter set error
●(5)	●(7)	◇	57	Damper error
●(5)	●(8)	◇	58	Intake grille error
●(5)	●(9)	◇	59	Indoor unit fan motor 2 error (Left side fan)
●(5)	●(10)	◇	5A	Indoor unit fan motor 3 error (Right side fan)
●(5)	●(15)	◇	5U	Indoor unit error
●(6)	●(1)	◇	61	Outdoor unit reverse/missing phase and wiring error

Error display			Error code	Description
OPERATION lamp (green)	TIMER lamp (orange)	ECONOMY lamp (green)		
●(6)	●(2)	◇	62	Outdoor unit main PCB model information error or communication error
●(6)	●(3)	◇	63	Inverter error
●(6)	●(4)	◇	64	Active filter error, PFC circuit error
●(6)	●(5)	◇	65	Trip terminal L error
●(6)	●(8)	◇	68	Outdoor unit rush current limiting resistor temp. rise error
●(6)	●(10)	◇	6A	Display PCB microcomputers communication error
●(7)	●(1)	◇	71	Discharge temp. sensor error
●(7)	●(2)	◇	72	Compressor temp. sensor error
●(7)	●(3)	◇	73	Outdoor unit Heat Ex. liquid temp. sensor error
●(7)	●(4)	◇	74	Outdoor temp. sensor error
●(7)	●(5)	◇	75	Suction Gas temp. sensor error
●(7)	●(6)	◇	76	• 2-way valve temp. sensor error • 3-way valve temp. sensor error
●(7)	●(7)	◇	77	Heat sink temp. sensor error
●(8)	●(2)	◇	82	• Sub-cool Heat Ex. gas inlet temp. sensor error • Sub-cool Heat Ex. gas outlet temp. sensor error
●(8)	●(3)	◇	83	Liquid pipe temp. sensor error
●(8)	●(4)	◇	84	Current sensor error
●(8)	●(6)	◇	86	• Discharge pressure sensor error • Suction pressure sensor error • High pressure switch error
●(9)	●(4)	◇	94	Trip detection
●(9)	●(5)	◇	95	Compressor rotor position detection error (permanent stop)
●(9)	●(7)	◇	97	Outdoor unit fan motor 1 error
●(9)	●(8)	◇	98	Outdoor unit fan motor 2 error
●(9)	●(9)	◇	99	4-way valve error
●(9)	●(10)	◇	9A	Coil (expansion valve) error
●(10)	●(1)	◇	A1	Discharge temp. error
●(10)	●(3)	◇	A3	Compressor temp. error
●(10)	●(4)	◇	A4	High pressure error
●(10)	●(5)	◇	A5	Low pressure error
●(13)	●(2)	◇	J2	Branch boxes error [Flexible Multi]

Display mode ● : 0.5s ON / 0.5s OFF
◇ : 0.1s ON / 0.1s OFF
() : Number of flashing

■ Error display on the indoor unit



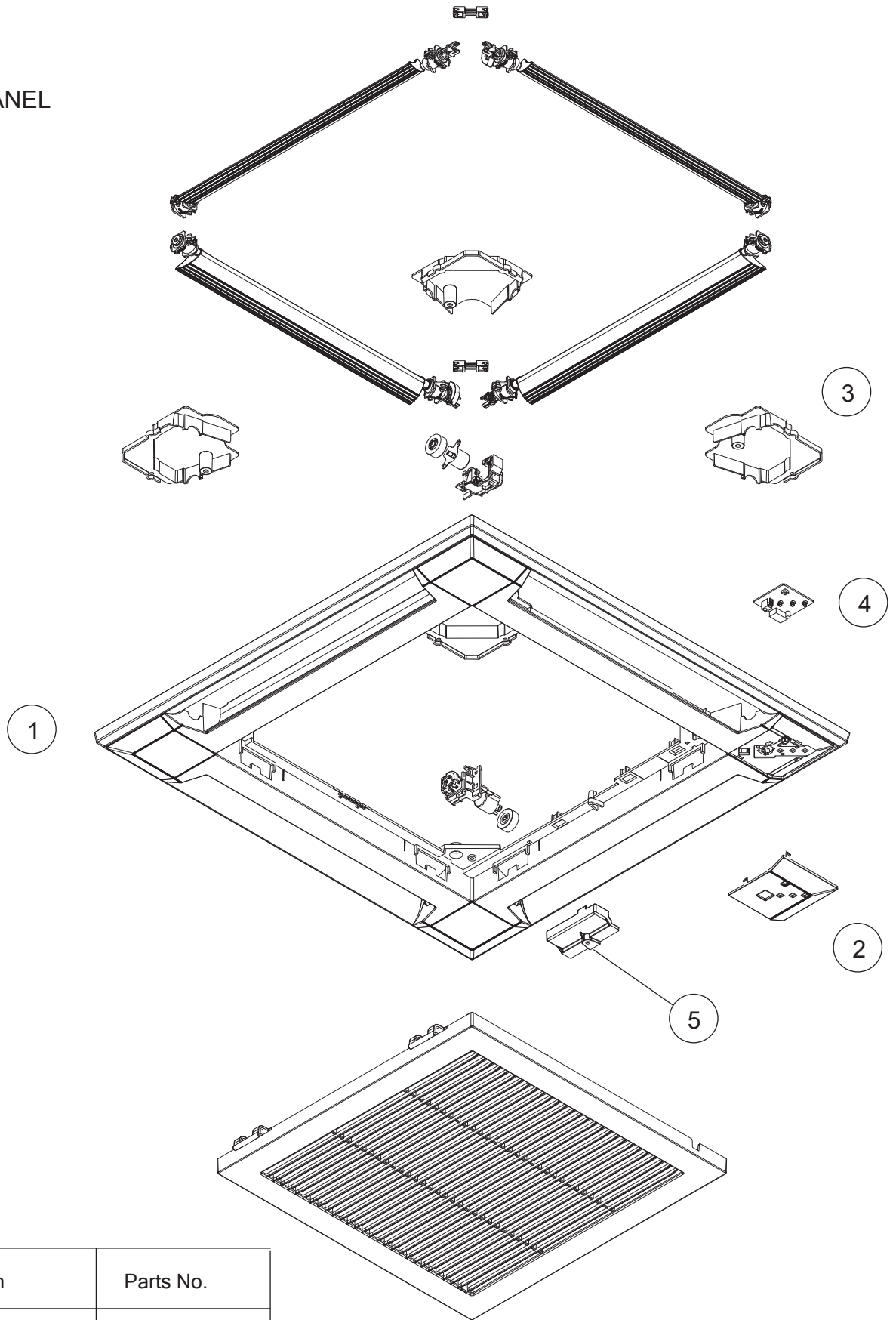
OPERATION indicator lamp (green)

TIMER indicator lamp (orange)

ECONOMY indicator lamp (green)

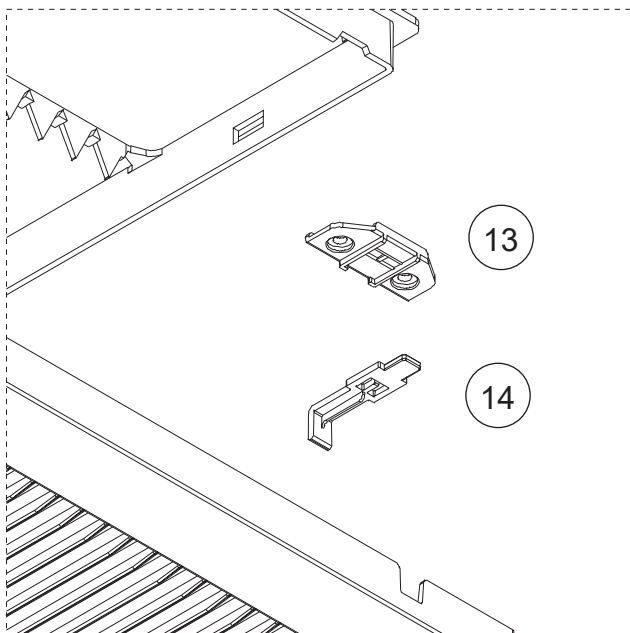
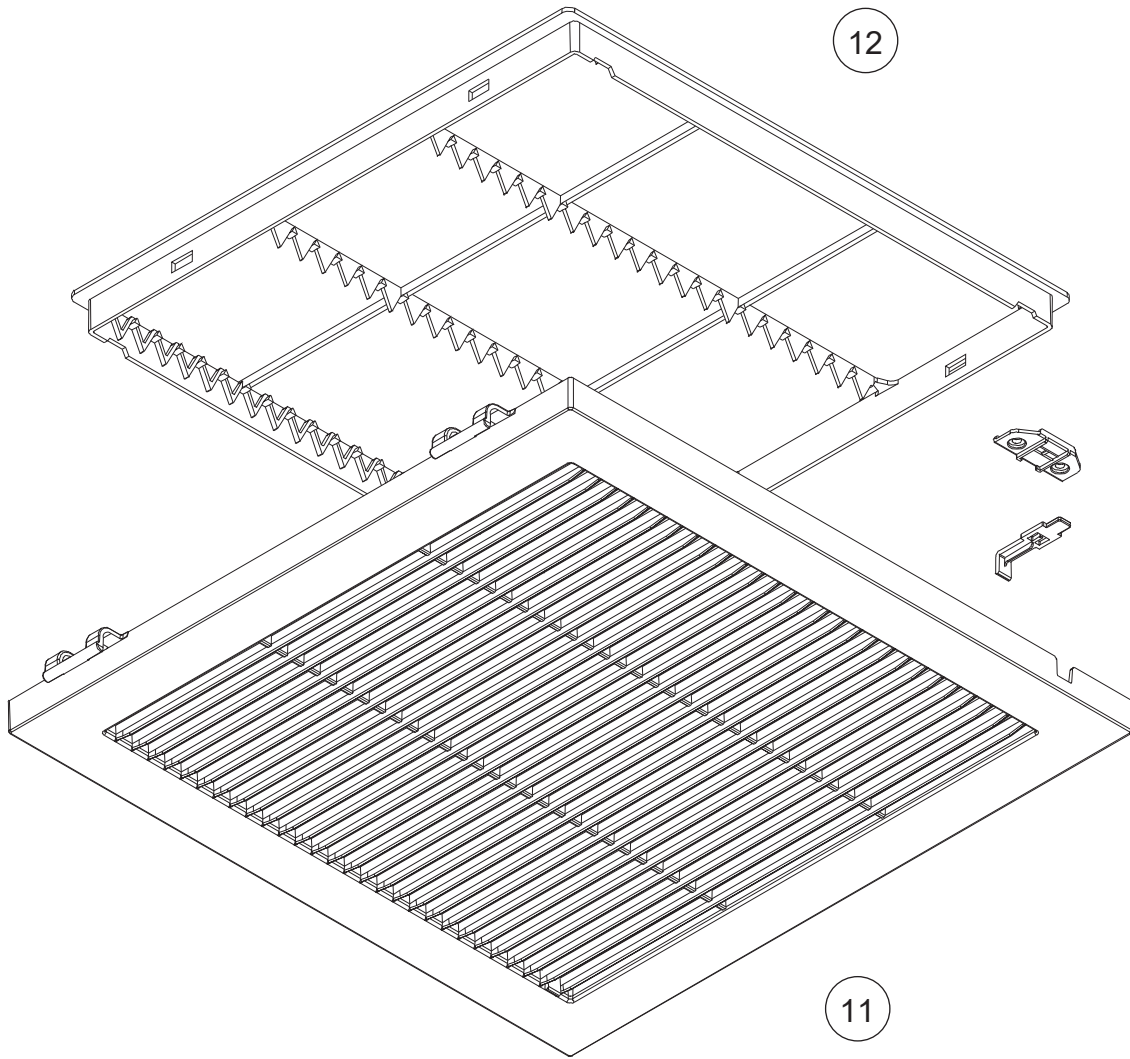
Parts

DECORATION PANEL
UTG-UFYF-W



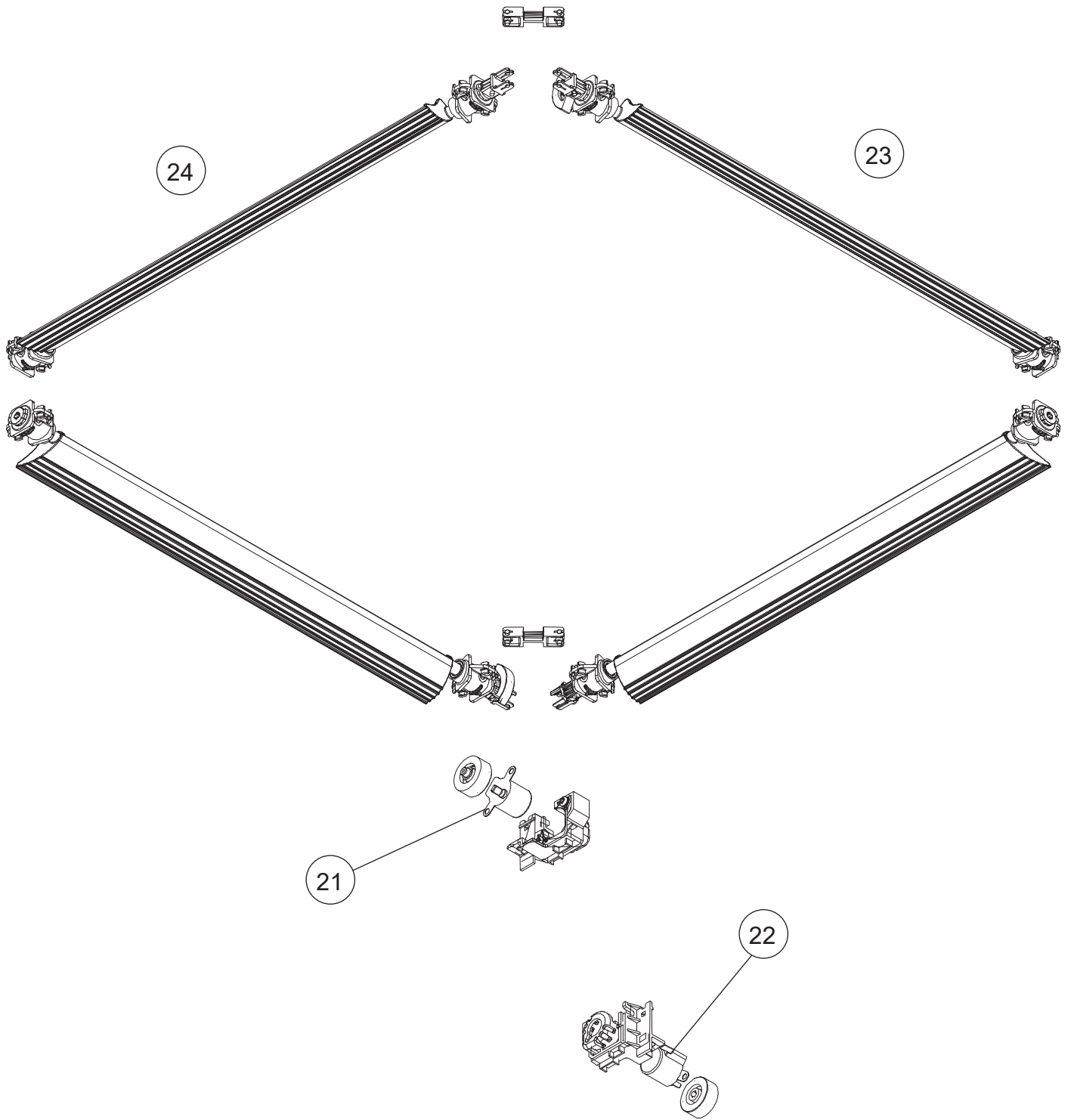
Ref	Description	Parts No.
1	Decoration Panel without Insulations	9382821005
2	Display panel assy	9383100031
3	Panel Cover without Insulations	9375530013
4	Indicator PCB	9711310002
5	Connector Cover	9375549015

DECORATION PANEL
 UTG-UFYF-W
 Intake grille assy



Ref	Description	Parts No.
11	Intake grille	9382863005
12	Long Life Filter	9375533014
13	Hook bracket	9375546014
14	Grille hook	9375532031

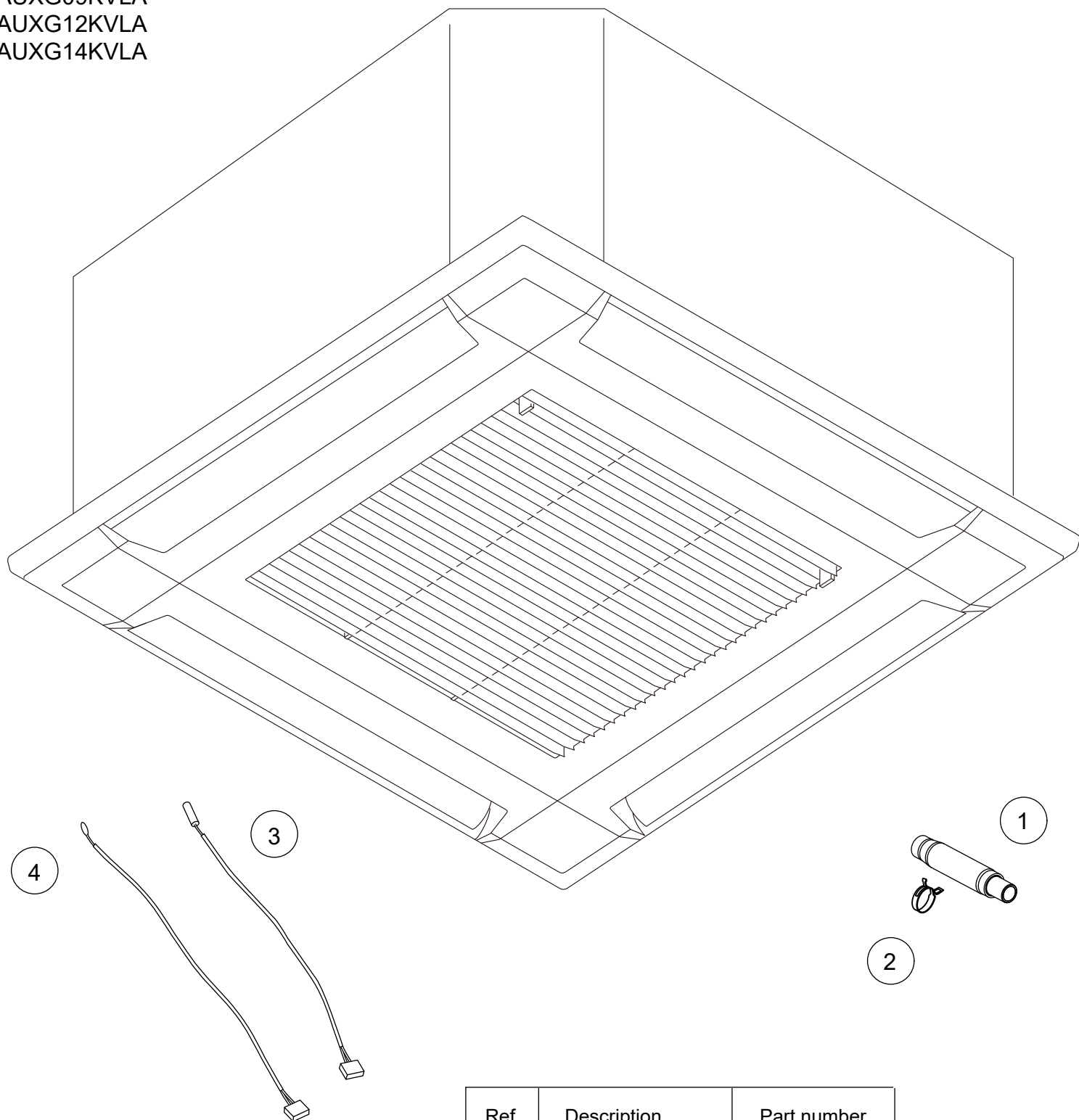
DECORATION PANEL
UTG-UFYF-W



Ref	Description	Parts No.
21	Step Motor (White connector)	9900139070
22	Step Motor (Red connector)	9900139087
23	Flap assy A	9375727048
24	Flap assy B	9377759047

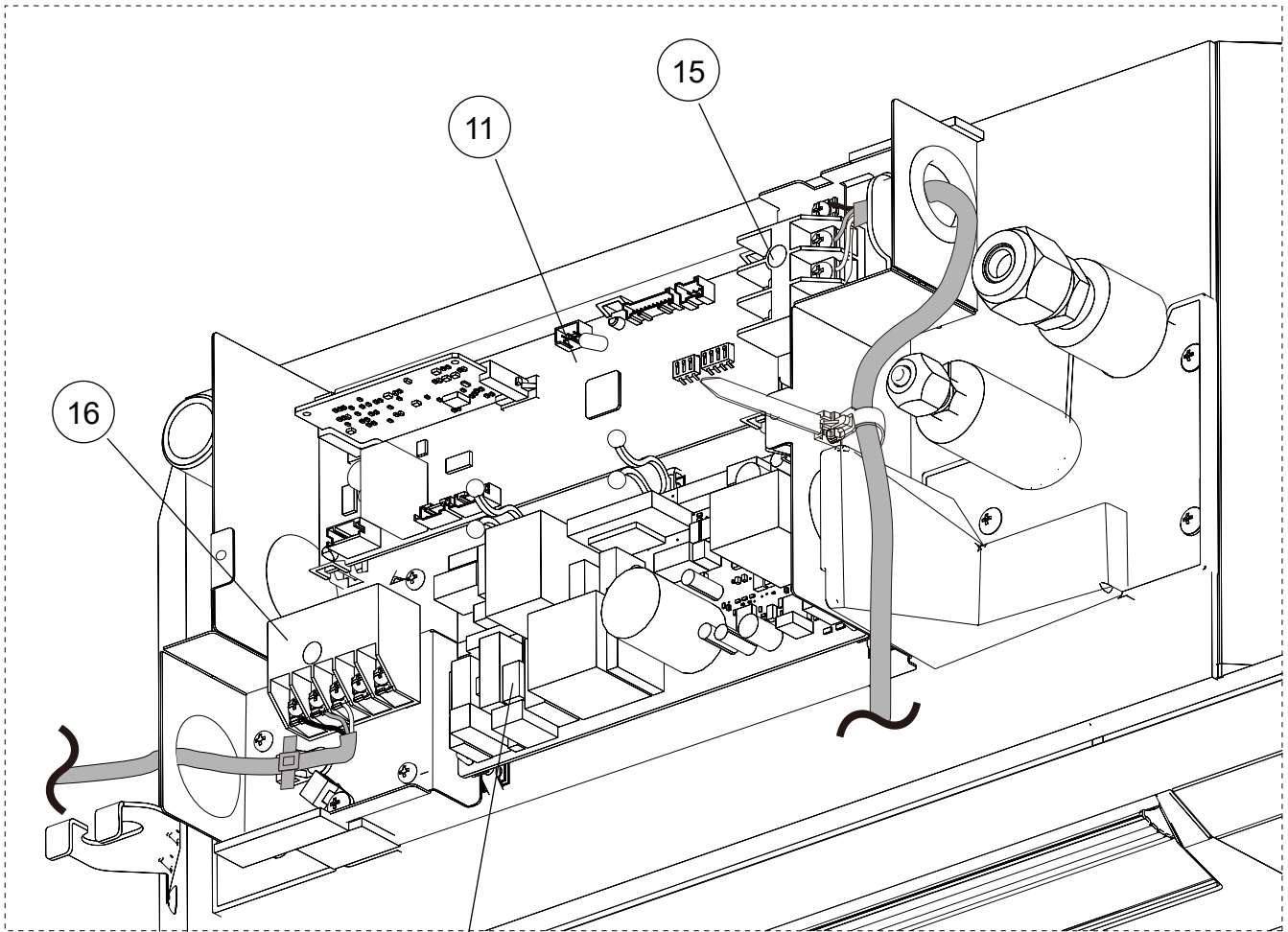
Parts

INDOOR UNIT
AUXG07KVLA
AUXG09KVLA
AUXG12KVLA
AUXG14KVLA

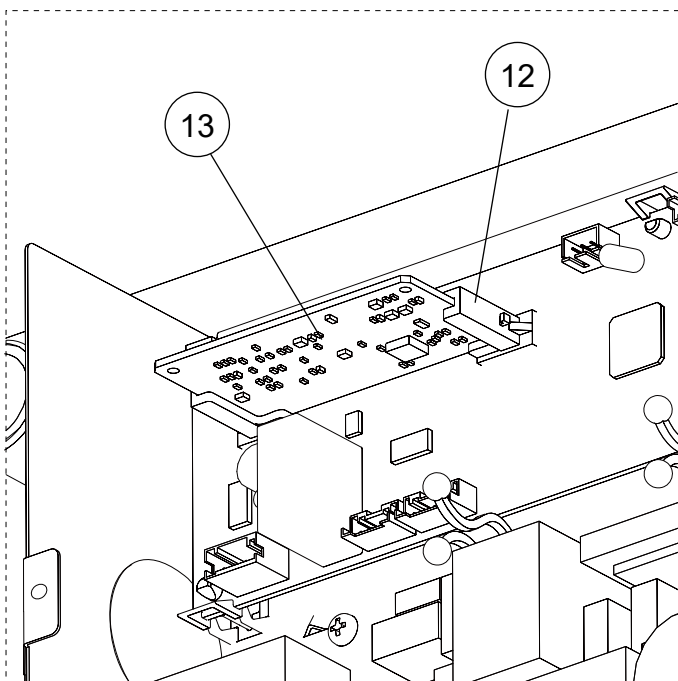


Ref.	Description	Part number
1	Drain hose	9379665001
2	Hose band	9379757010
3	Pipe Thermistor	9900942038
4	Room Thermistor	9900826000

INDOOR UNIT
 AUXG07KVLA
 AUXG09KVLA
 AUXG12KVLA
 AUXG14KVLA



14

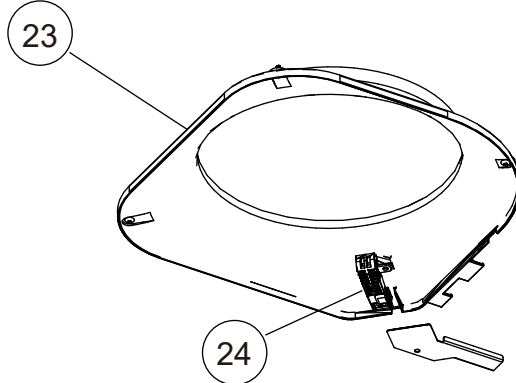
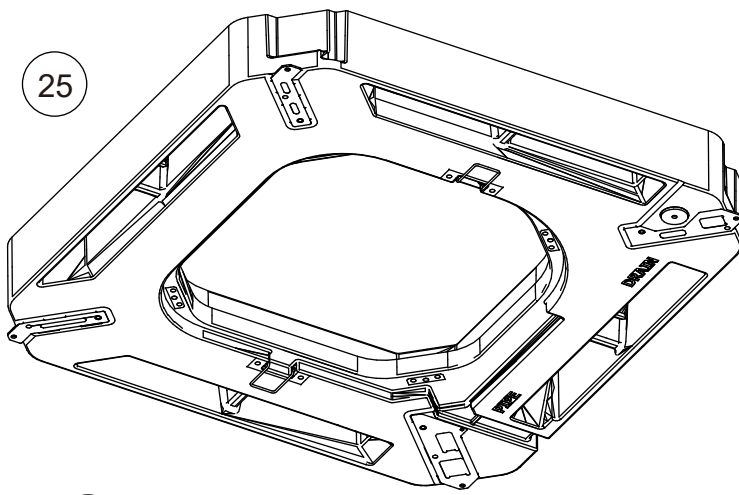
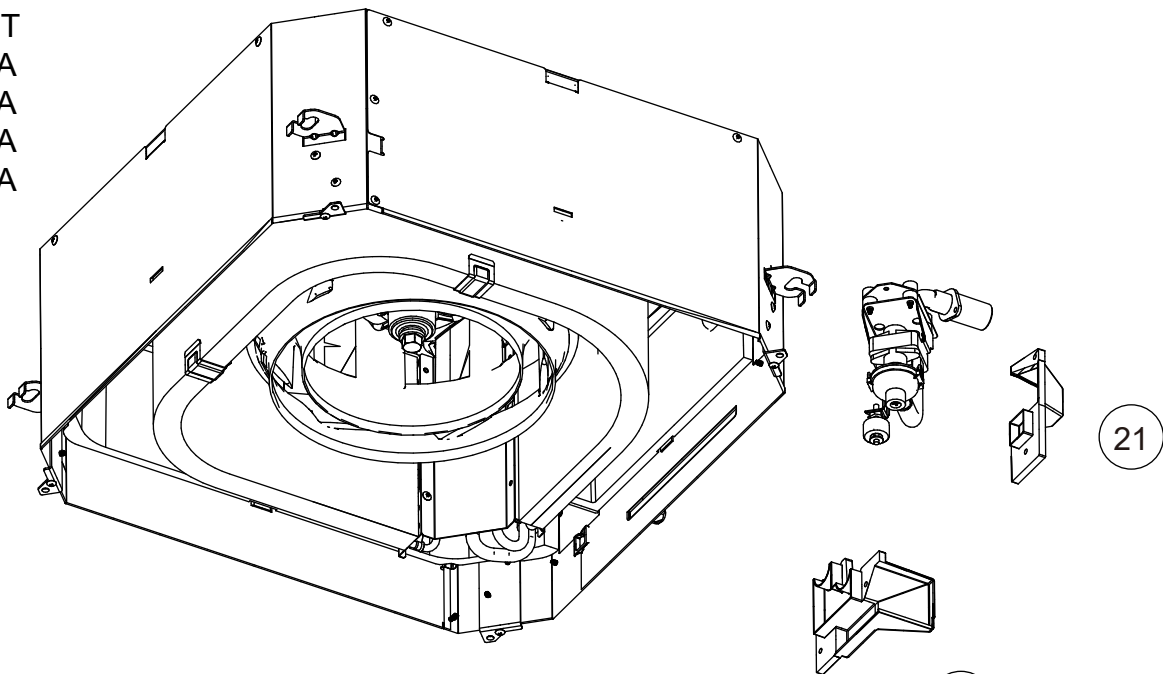


12

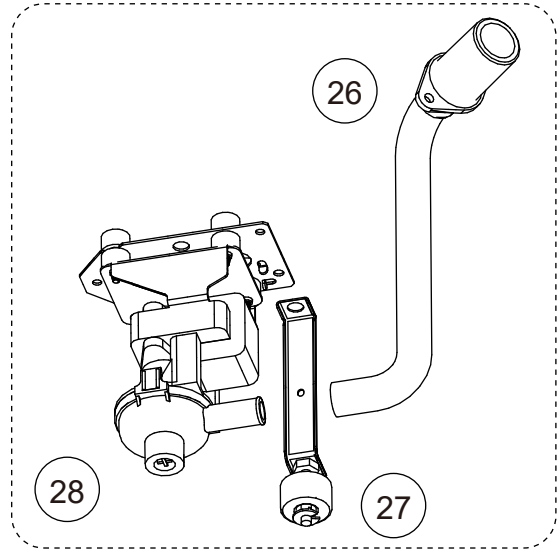
13

Ref.	Description	Part number
11	Main PCB (AUXG07KVLA)	9710995965
11	Main PCB (AUXG09KVLA)	9710995743
11	Main PCB (AUXG12KVLA)	9710995750
11	Main PCB (AUXG14KVLA)	9710995705
12	Holder	0600063023
13	Communication PCB	9710019005
14	Power supply PCB	9710661006
15	Terminal	9900568009
16	Terminal	9900896003

INDOOR UNIT
 AUXG07KVLA
 AUXG09KVLA
 AUXG12KVLA
 AUXG14KVLA

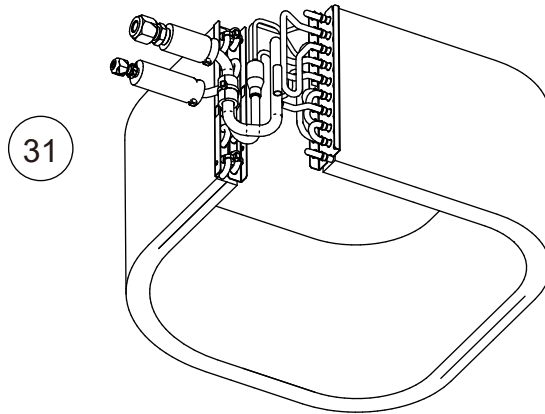
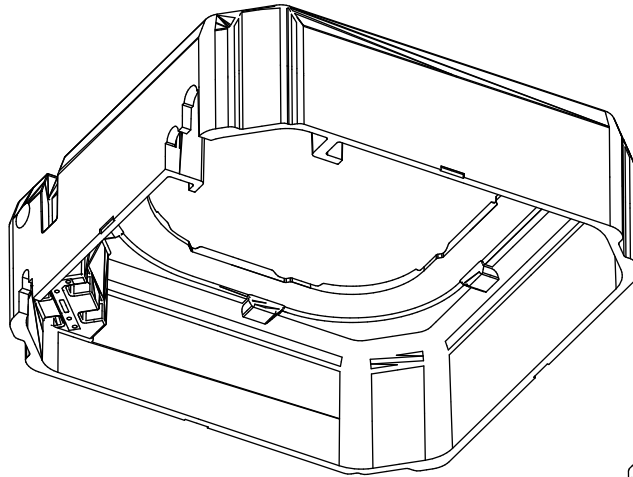
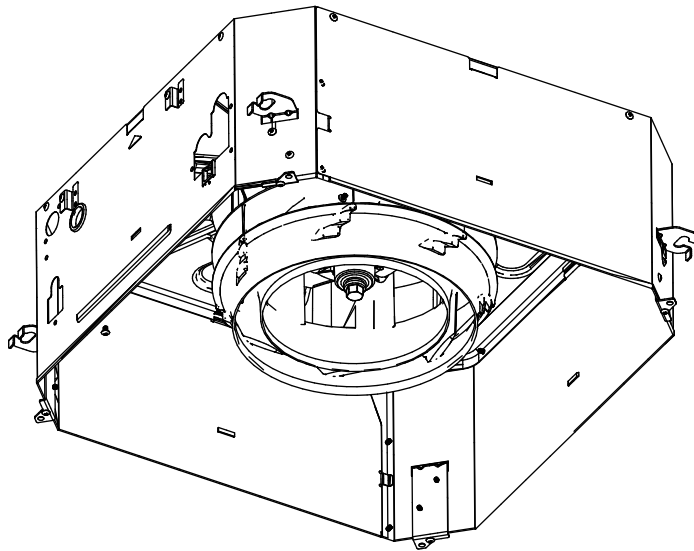


Wire holder

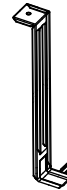


Ref.	Description	Part number
21	Wire cover	9375516017
22	Pipe cover	9375515010
23	Bellmouth	9375503017
24	Thermistor holder	9375477011
25	Drain pan sub assy	9377765024
26	Drain port sub assy	9375718015
27	Float switch sub assy	9375721046
28	Drain pump sub assy	9375717025

INDOOR UNIT
 AUXG07KVLA
 AUXG09KVLA
 AUXG12KVLA
 AUXG14KVLA



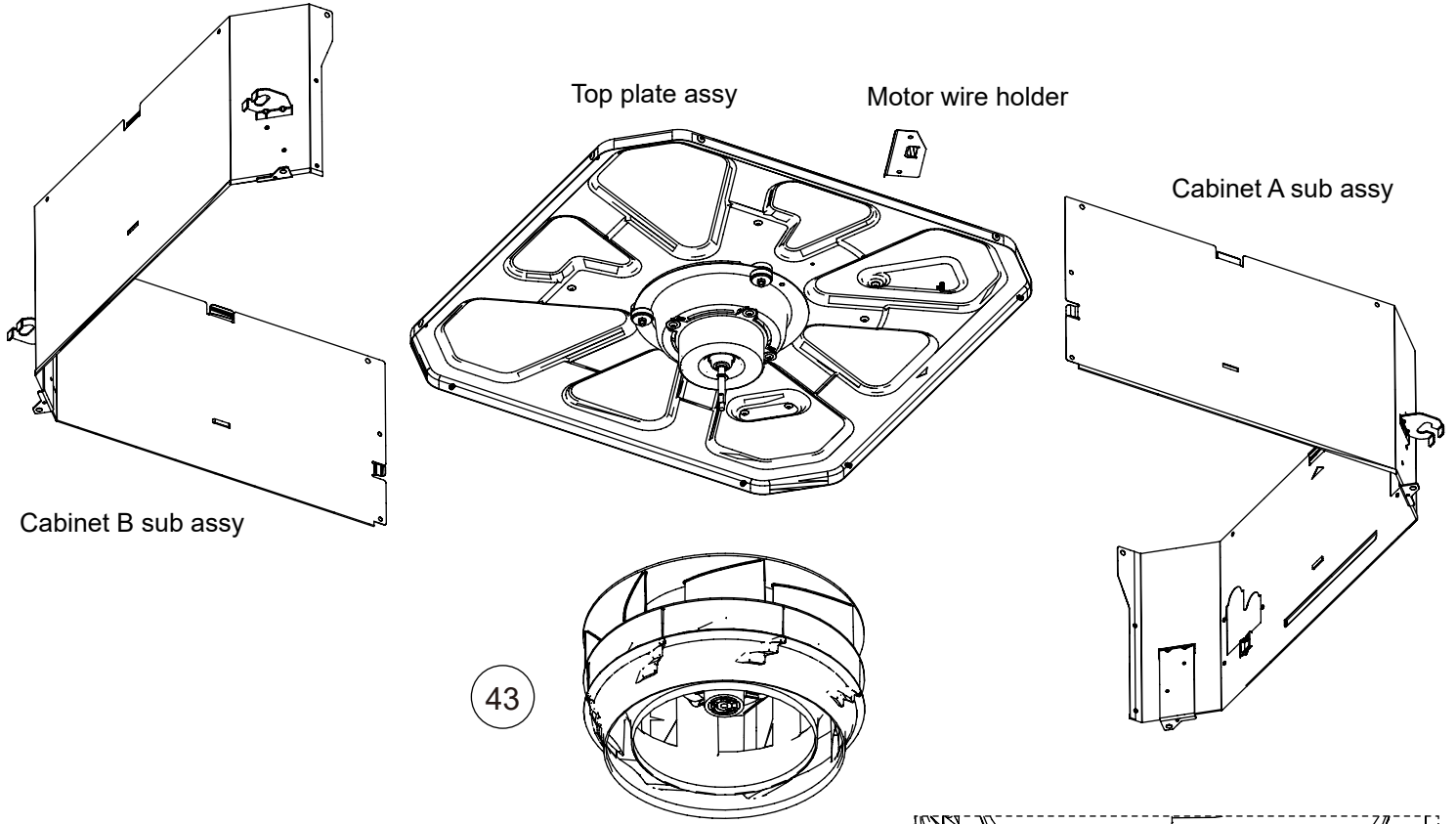
Separate wall



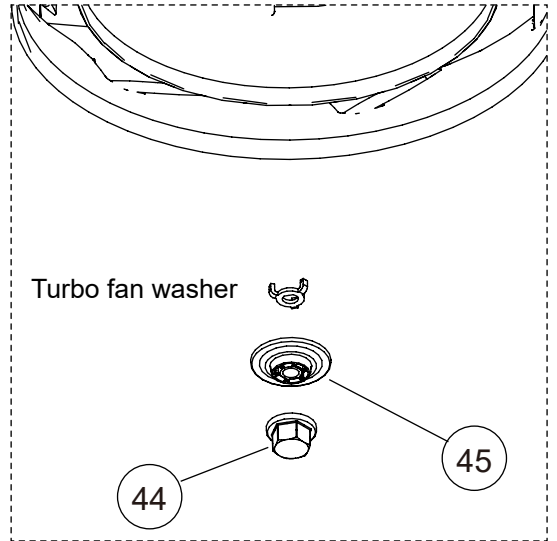
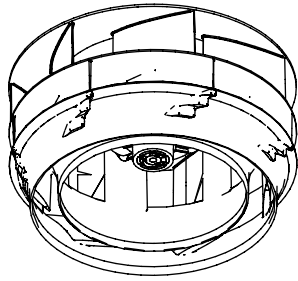
Evaporator holder 2 row

Ref.	Description	Part number
31	Evaporator total assy (AUXG07KVLA)	9377914156
31	Evaporator total assy (AUXG09, 12KVLA)	9377914101
31	Evaporator total assy (AUXG14KVLA)	9377914118
32	Insulation box sub assy	9377764065

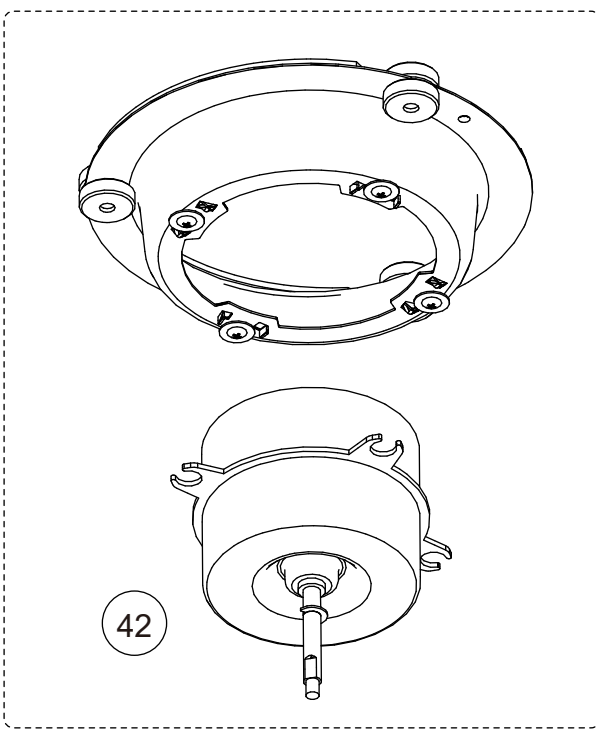
INDOOR UNIT
 AUXG07KVLA
 AUXG09KVLA
 AUXG12KVLA
 AUXG14KVLA



43



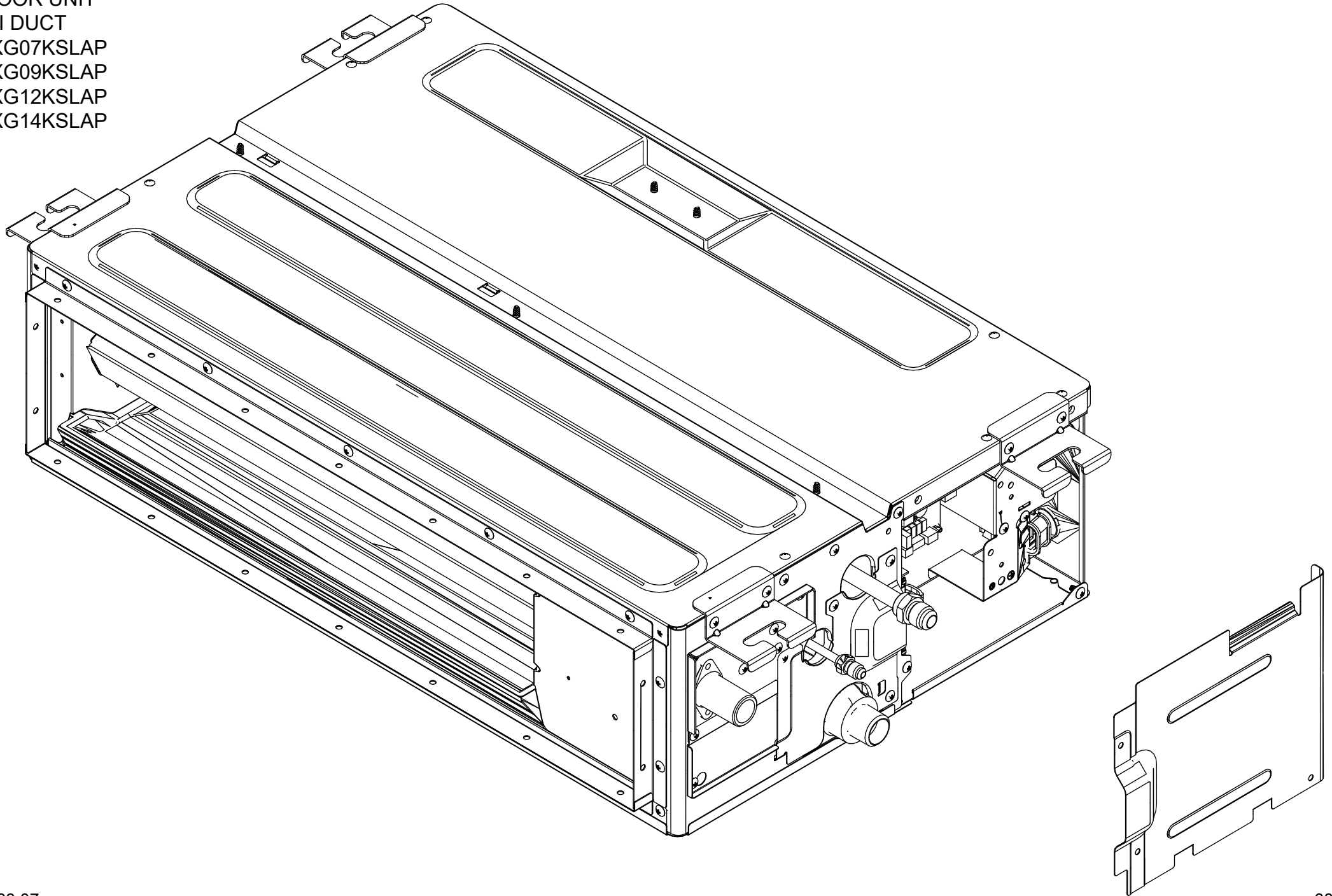
41



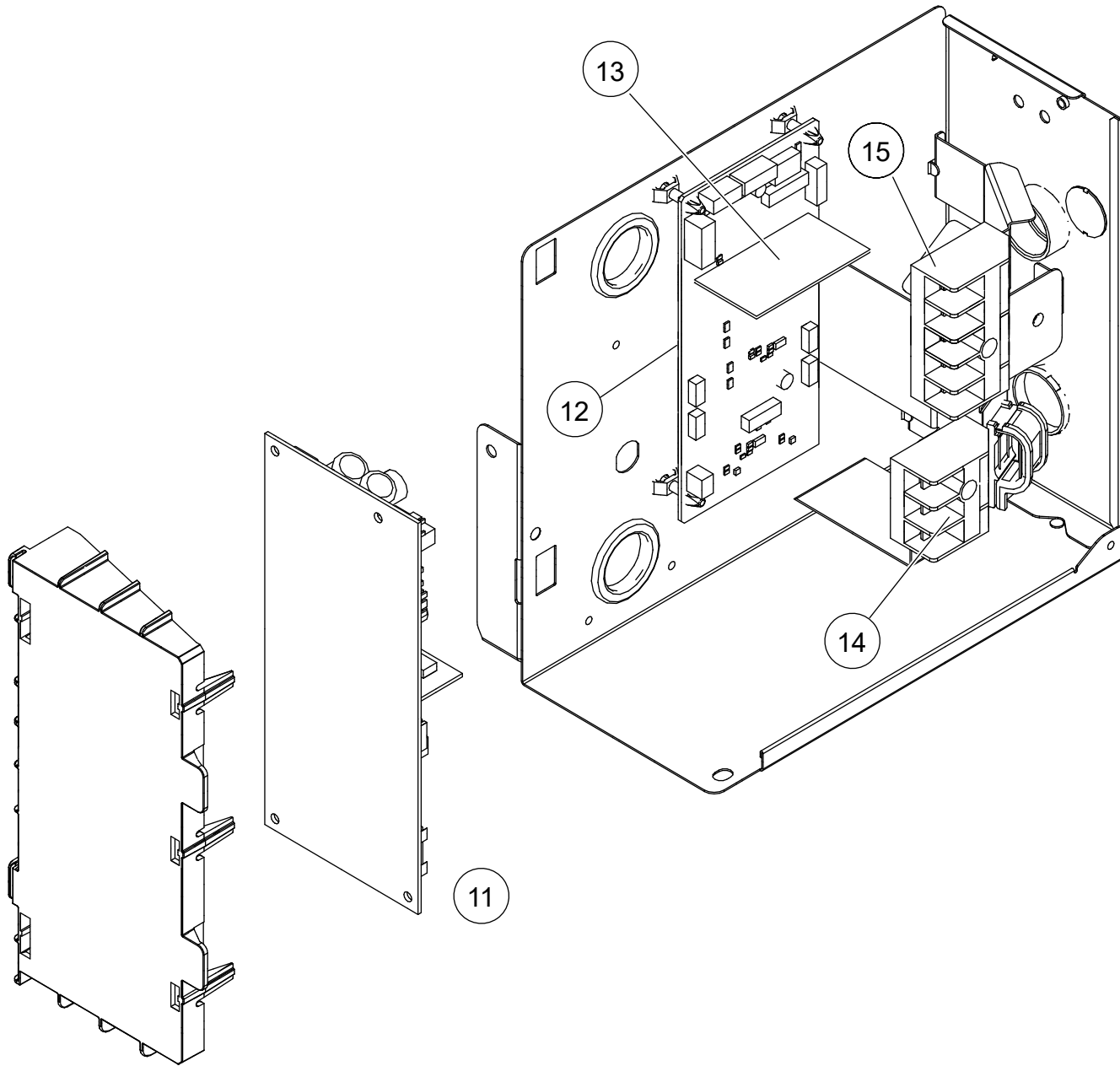
Ref.	Description	Part number
41	Fan motor sub assy	9375719012
42	Fan motor	9602436019
43	2 stage turbo fan assy	9375480011
44	Shaft cap	9377807014
45	Washer cover	9377811011

Parts

INDOOR UNIT
MINI DUCT
ARXG07KSLAP
ARXG09KSLAP
ARXG12KSLAP
ARXG14KSLAP

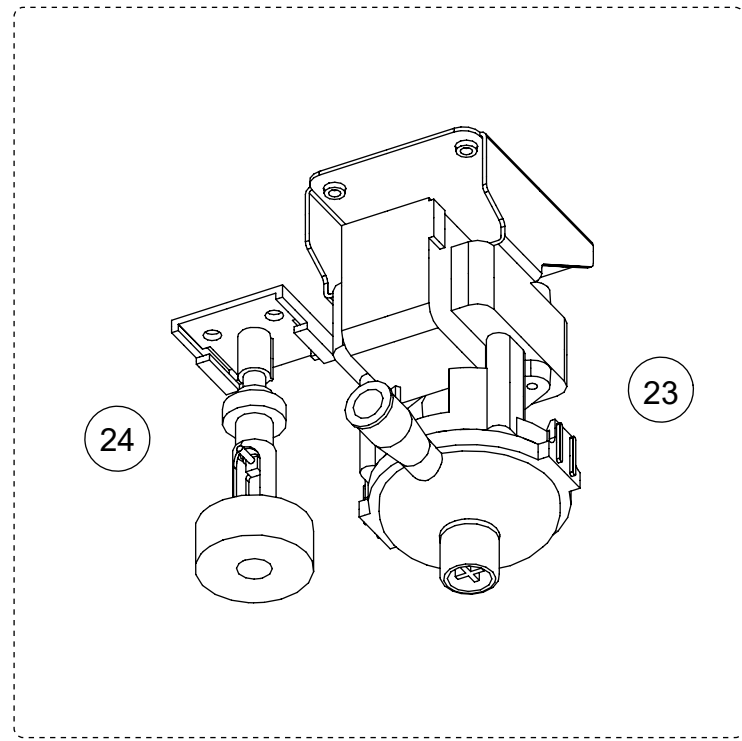
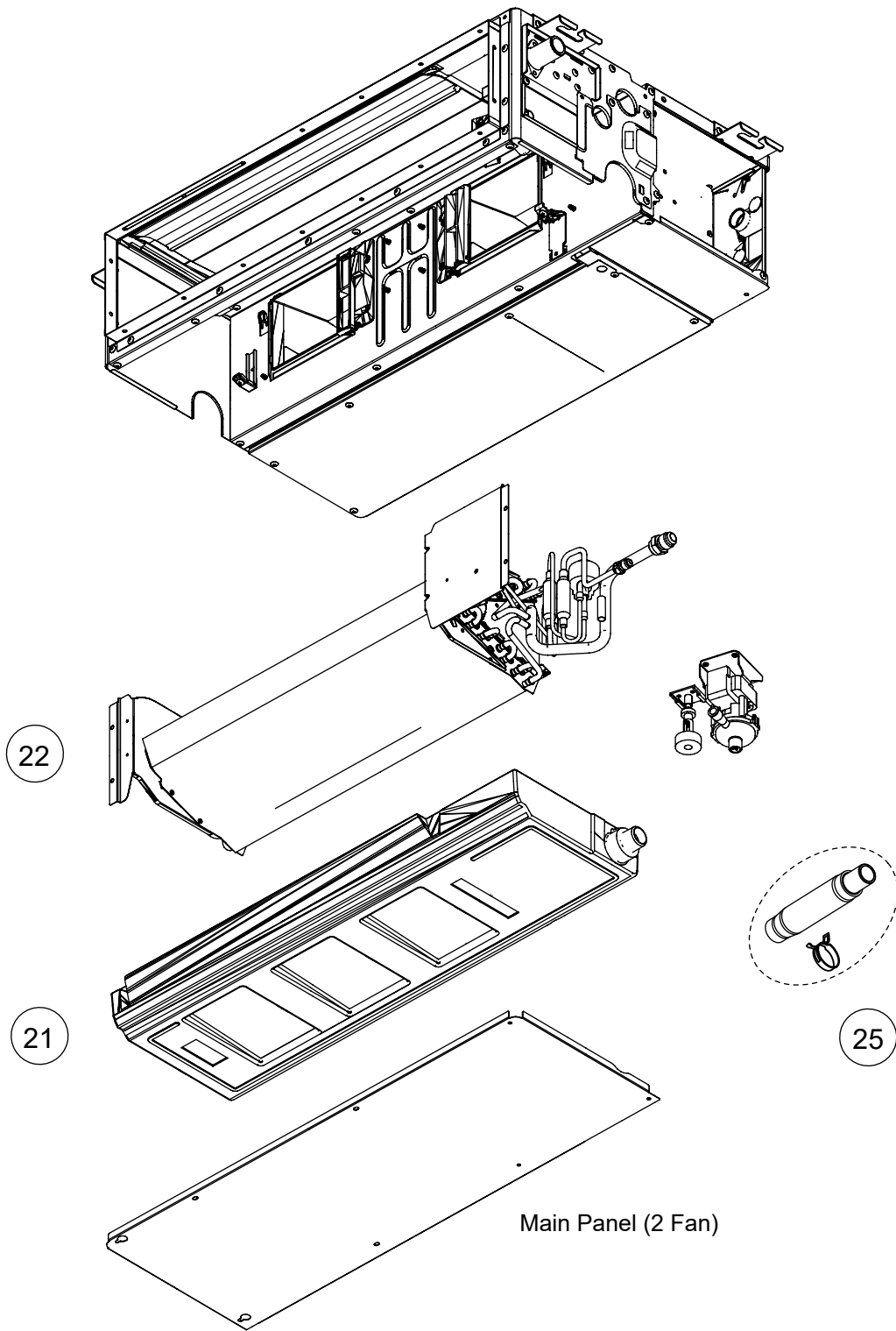


INDOOR UNIT
 MINI DUCT
 ARXG07KSLAP
 ARXG09KSLAP
 ARXG12KSLAP
 ARXG14KSLAP

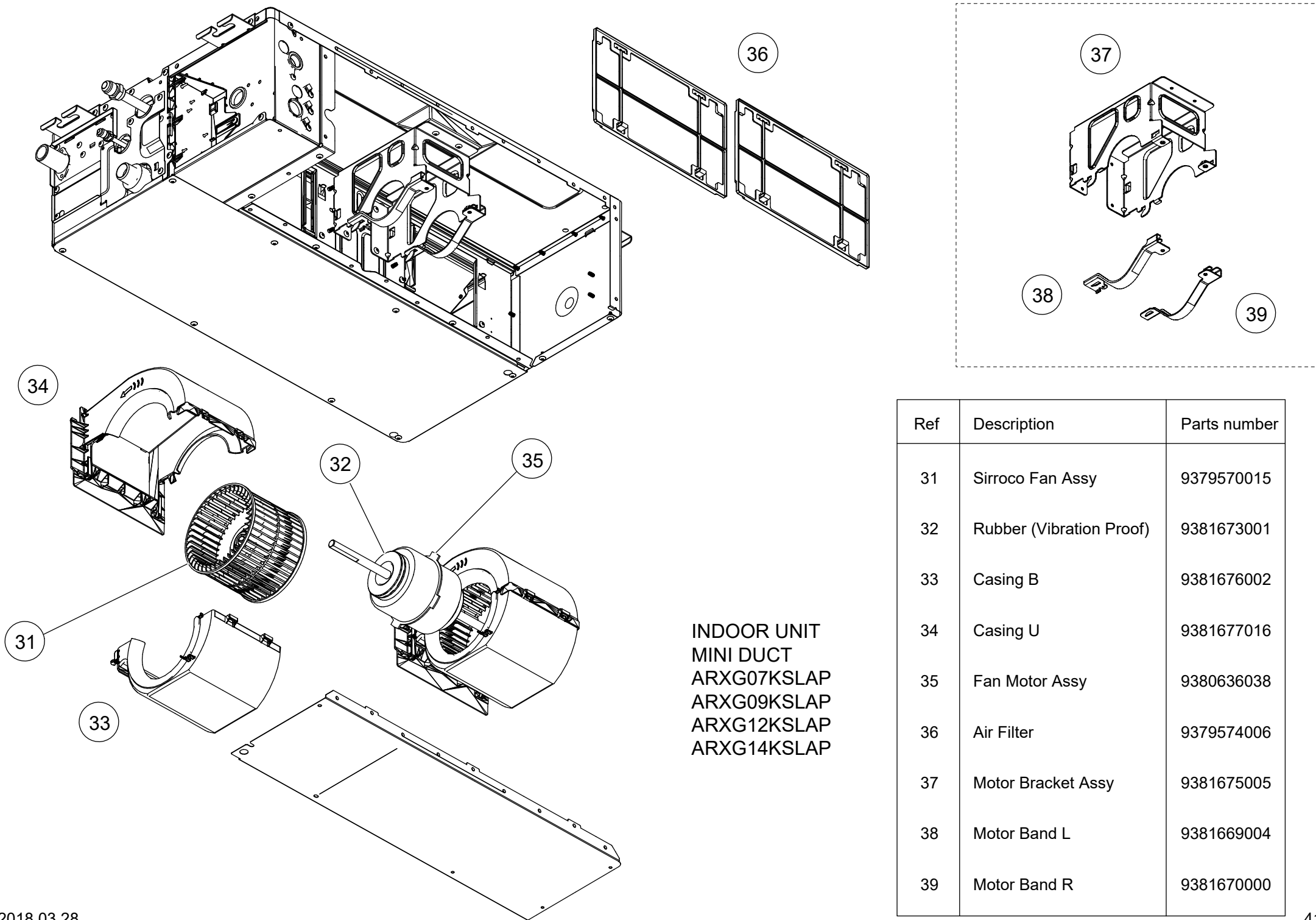


Ref	Description	Parts number
11	Power Supply PCB	9710661020
12	Main PCB (ARXG07KSLAP)	9710624261
12	Main PCB (ARXG09KSLAP)	9710624278
12	Main PCB (ARXG12KSLAP)	9710624285
12	Main PCB (ARXG14KSLAP)	9710624292
13	2 way Remote PCB	9710019005
14	Terminal 3P	9900568009
15	Terminal 3P (Wired Remote)	9900896003
--	Room Thermistor	9900653033
--	Pipe Thermistor	9900942021

INDOOR UNIT
 MINI DUCT
 ARXG07KSLAP
 ARXG09KSLAP
 ARXG12KSLAP
 ARXG14KSLAP



Ref	Description	Parts number
21	Drain Pan Sub Assy	9381930111
22	Evaporater Total Assy	9381933440
23	Pump Assy	9900472061
24	Float Switch	9900465063
25	Hose Sub Assy	9378450097

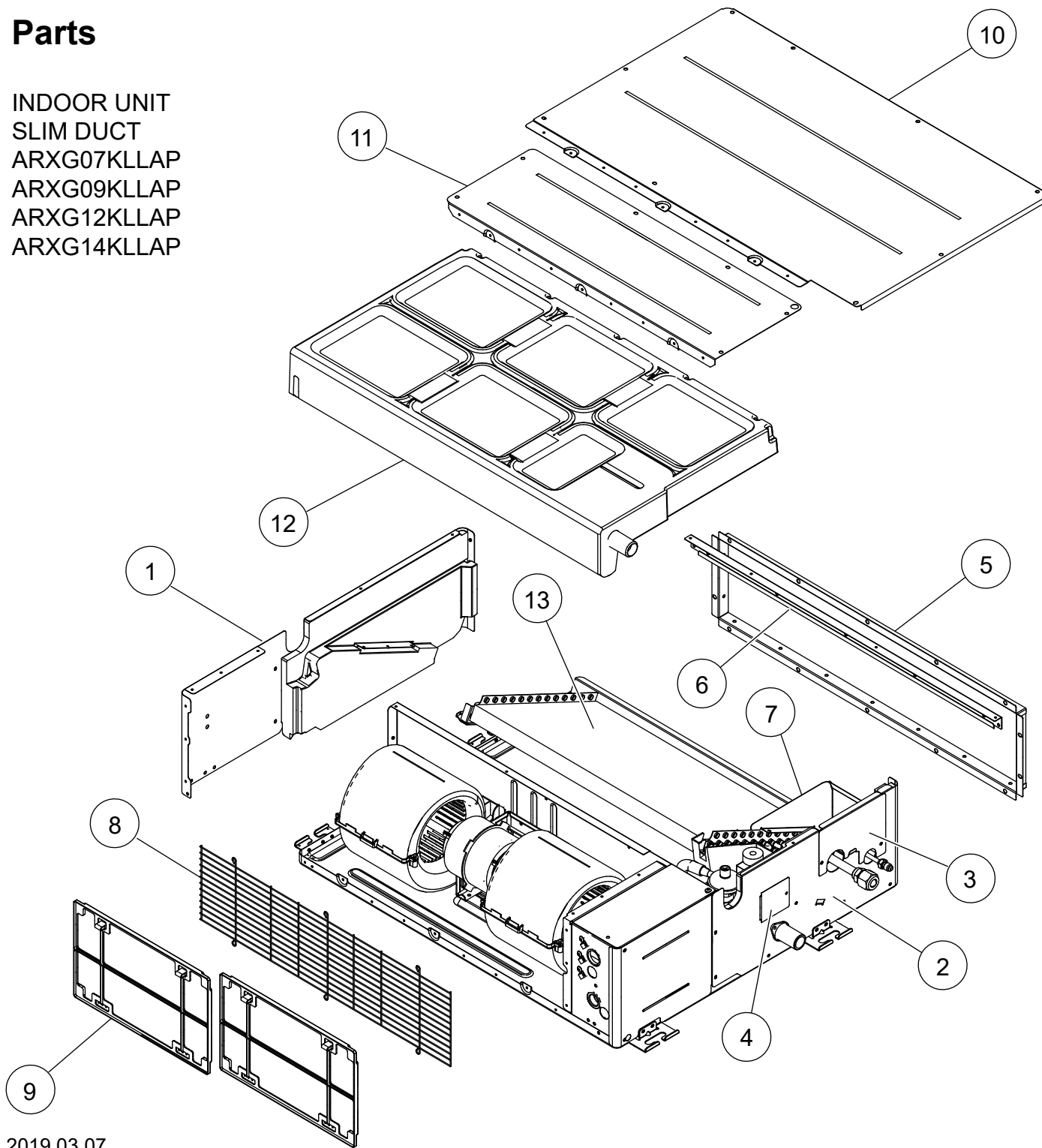


INDOOR UNIT
 MINI DUCT
 ARXG07KSLAP
 ARXG09KSLAP
 ARXG12KSLAP
 ARXG14KSLAP

Ref	Description	Parts number
31	Sirroco Fan Assy	9379570015
32	Rubber (Vibration Proof)	9381673001
33	Casing B	9381676002
34	Casing U	9381677016
35	Fan Motor Assy	9380636038
36	Air Filter	9379574006
37	Motor Bracket Assy	9381675005
38	Motor Band L	9381669004
39	Motor Band R	9381670000

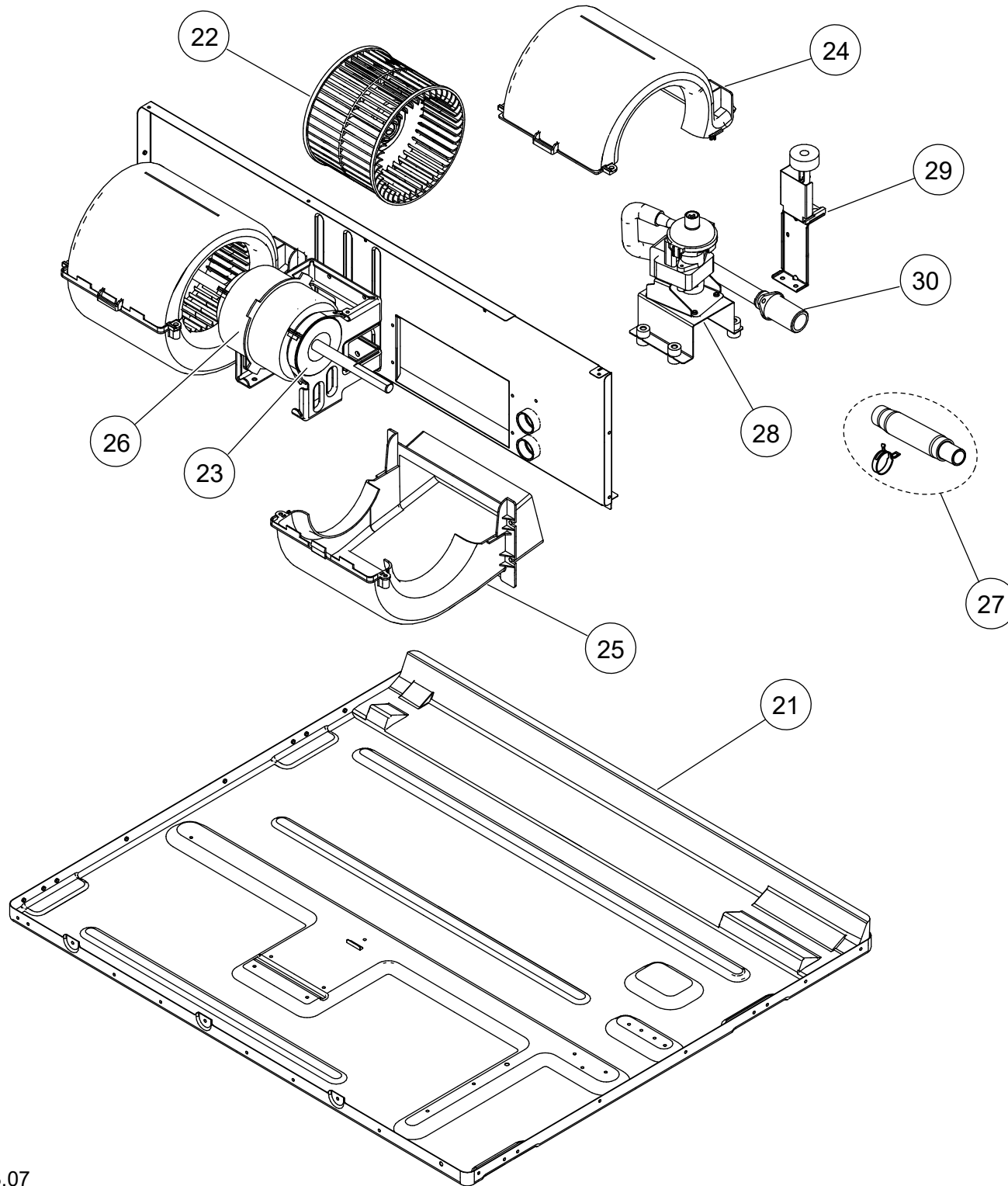
Parts

INDOOR UNIT
SLIM DUCT
ARXG07KLLAP
ARXG09KLLAP
ARXG12KLLAP
ARXG14KLLAP



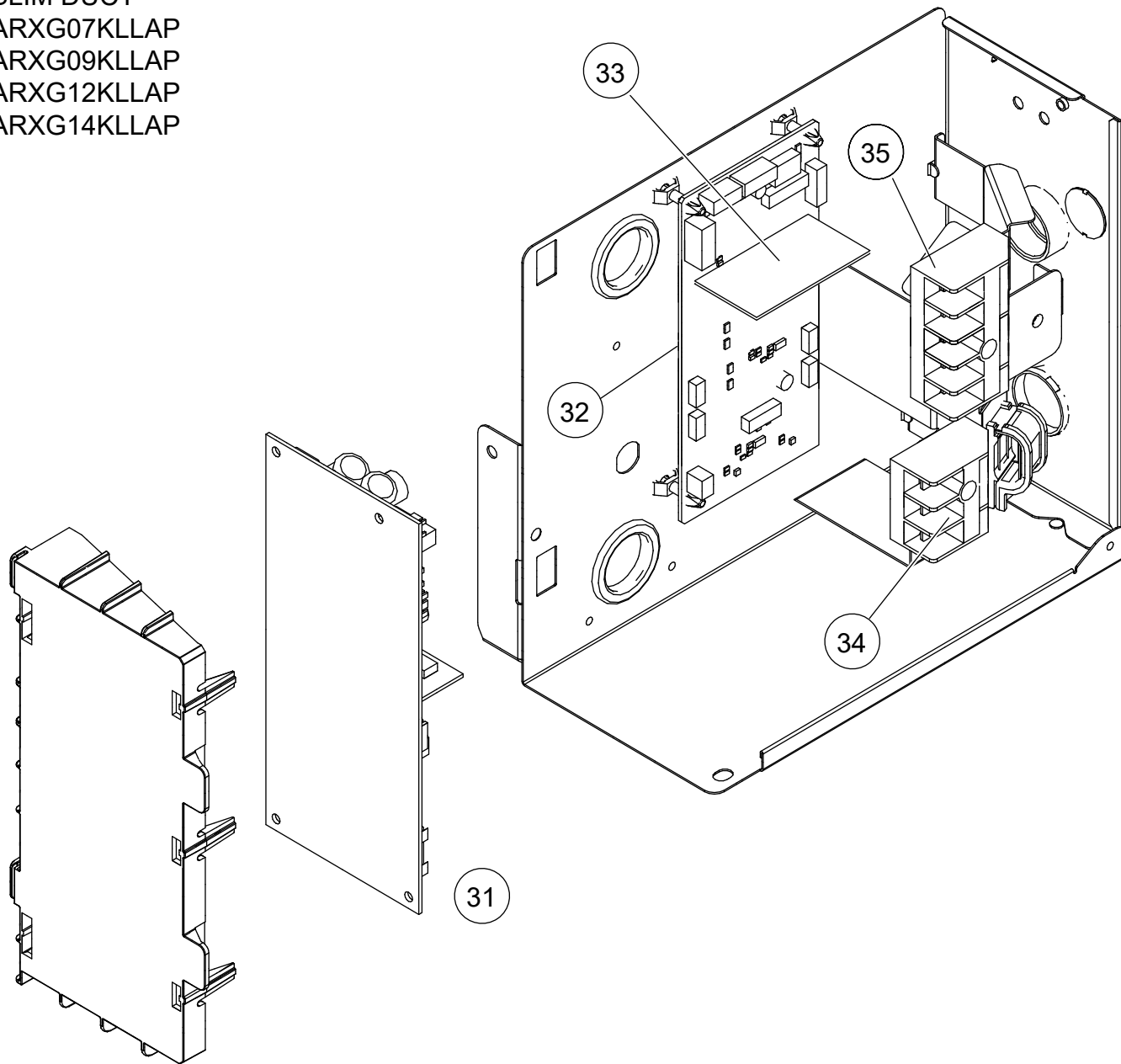
Ref	Description	Parts number
1	Side Panel R Sub Assy	9379906012
2	Side Panel L Sub Assy	9379907019
3	Pipe Panel Sub Assy	9379900003
4	Panel (Window) Sub Assy	9379915007
5	Outlet Frame Assy	9380042006
6	Front Panel (2 Fan)	9380594000
7	Valve Cover Sub Assy	9379576017
8	Fan Guard (2 Fan)	9380589006
9	Air Filter	9379574006
10	Main Panel (2 Fan)	9380602019
11	Cabinet Panel (2 Fan)	9380597001
12	Drain Pan Sub Assy	9381209002
13	Evaporater Total Assy (07)	9380682509
13	Evaporater Total Assy (09, 12, 14)	9380682486

INDOOR UNIT
SLIM DUCT
ARXG07KLLAP
ARXG09KLLAP
ARXG12KLLAP
ARXG14KLLAP



Ref	Description	Parts number
21	Top Panel Sub Assy	9379908030
22	Sirroco Fan Assy	9379570015
23	Rubber (Vibration Proof)	9379644006
24	Casing B	9379572019
25	Casing U	9379571012
26	Fan Motor Assy (07)	9379047166
26	Fan Motor Assy (09, 12, 14)	9379047159
27	Hose Sub Assy	9378450097
28	Drain Pump Sub Assy	9379914062
29	Float Switch Sub Assy	9378593039
30	Drain Hose Assy	9379913003

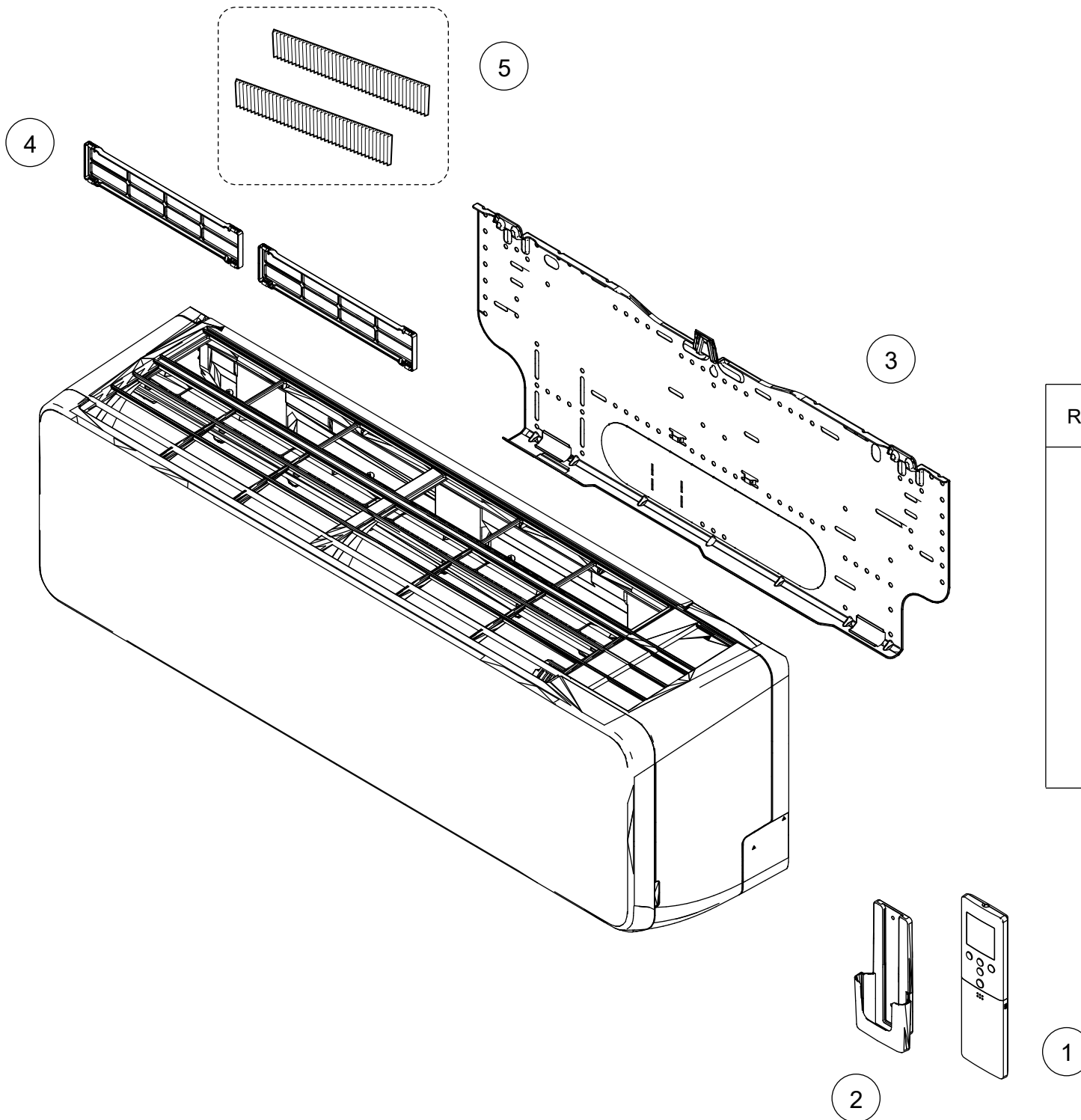
INDOOR UNIT
 SLIM DUCT
 ARXG07KLLAP
 ARXG09KLLAP
 ARXG12KLLAP
 ARXG14KLLAP



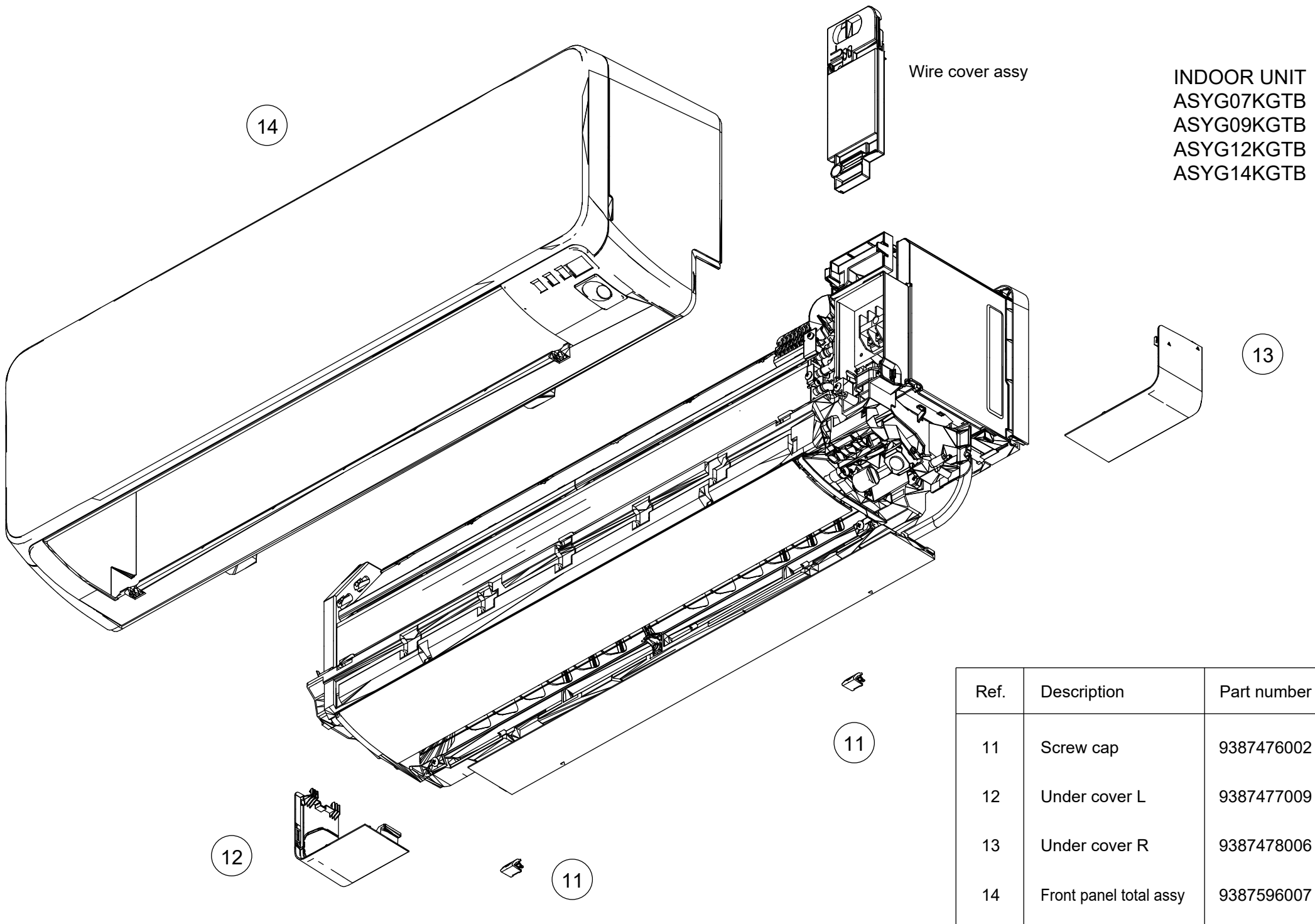
Ref	Description	Parts number
31	Power Supply PCB	9710661006
32	Main PCB (ARXG07KLLAP)	9710624308
32	Main PCB (ARXG09KLLAP)	9710624209
32	Main PCB (ARXG12KLLAP)	9710624216
32	Main PCB (ARXG14KLLAP)	9710624148
33	2 way Remote PCB	9710019005
34	Terminal 3P	9900568009
35	Terminal 3P (Wired Remote)	9900896003
--	Room Thermistor	9900653019
--	Pipe Thermistor	9900942045

PARTS

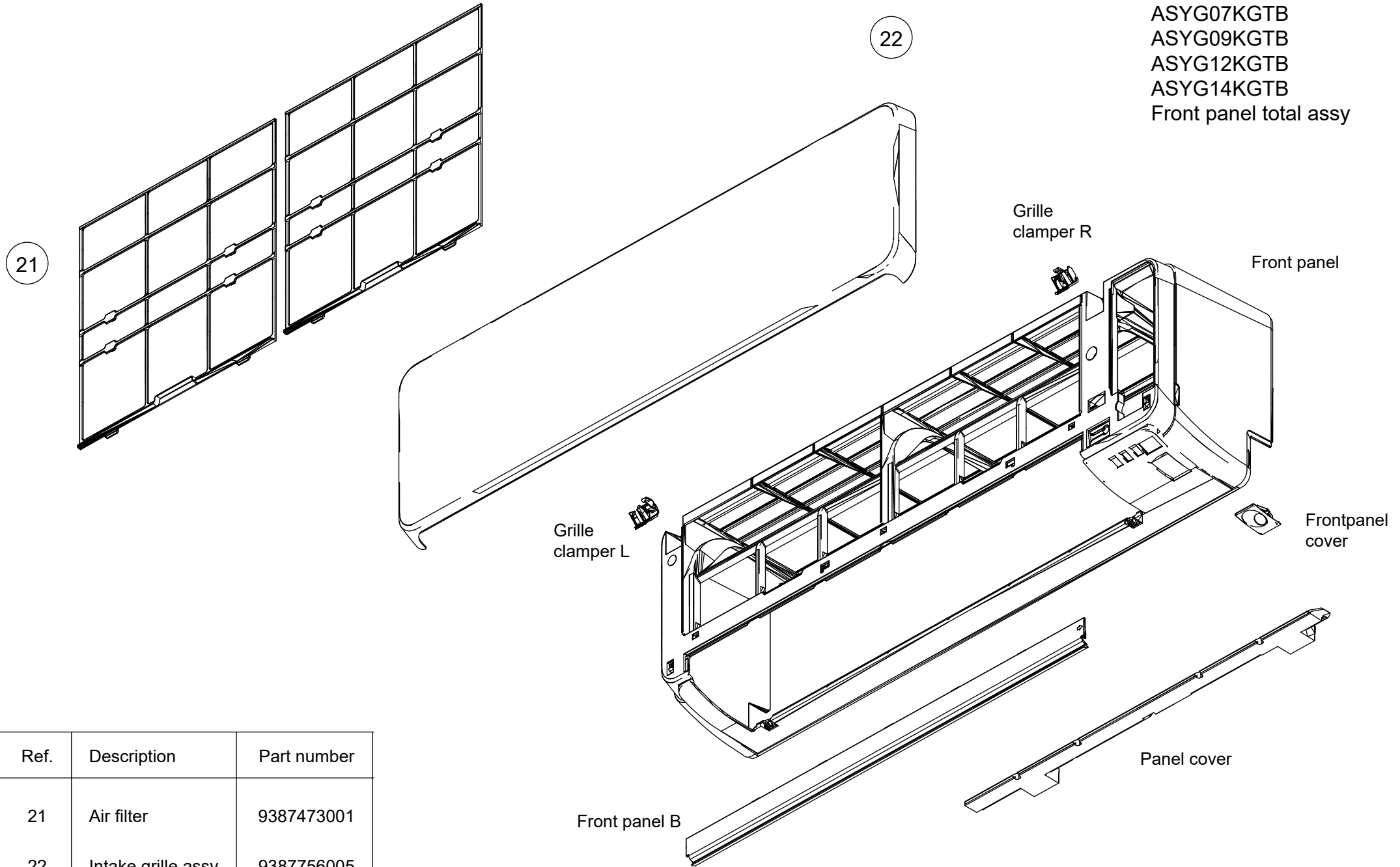
INDOOR UNIT
 ASYG07KGTB
 ASYG09KGTB
 ASYG12KGTB
 ASYG14KGTB



Ref.	Description	Part number
1	Remote control (no brand)	9382108045
2	Remote control holder	9318912005
3	Bracket panel	9387480009
4	Electric filter holder	9332911008
5	Air clean filter assy	9317250009

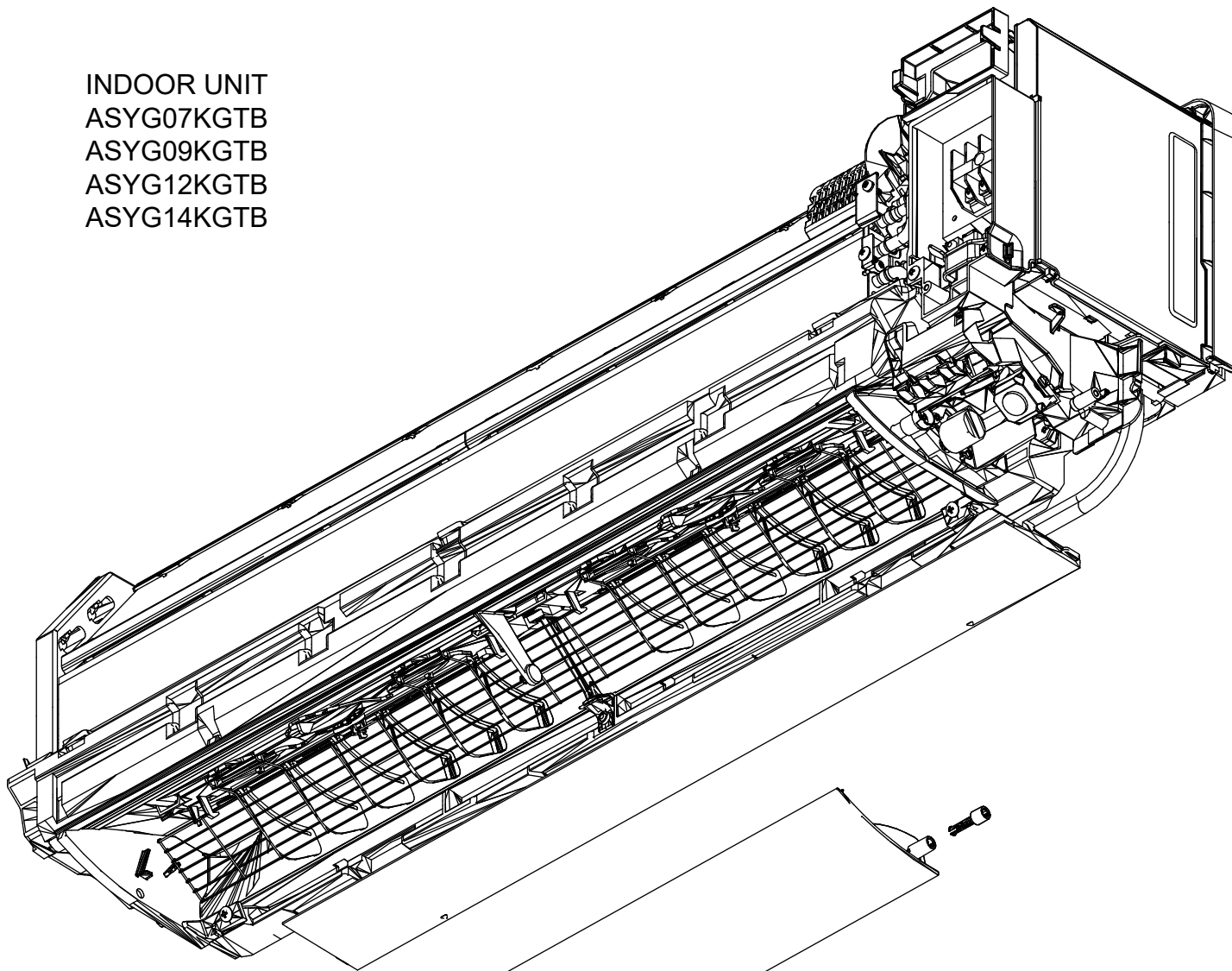


INDOOR UNIT
 ASYG07KGTB
 ASYG09KGTB
 ASYG12KGTB
 ASYG14KGTB
 Front panel total assy

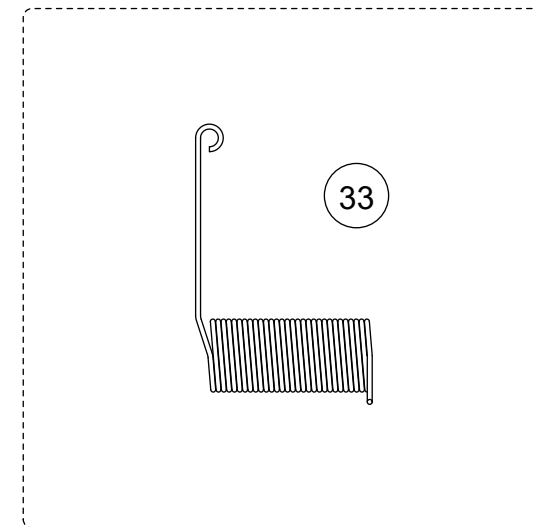


Ref.	Description	Part number
21	Air filter	9387473001
22	Intake grille assy (FUJITSU)	9387756005

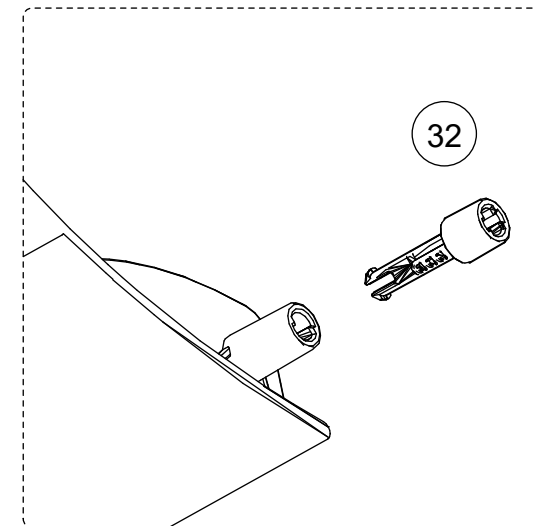
INDOOR UNIT
 ASYG07KGTB
 ASYG09KGTB
 ASYG12KGTB
 ASYG14KGTB



31

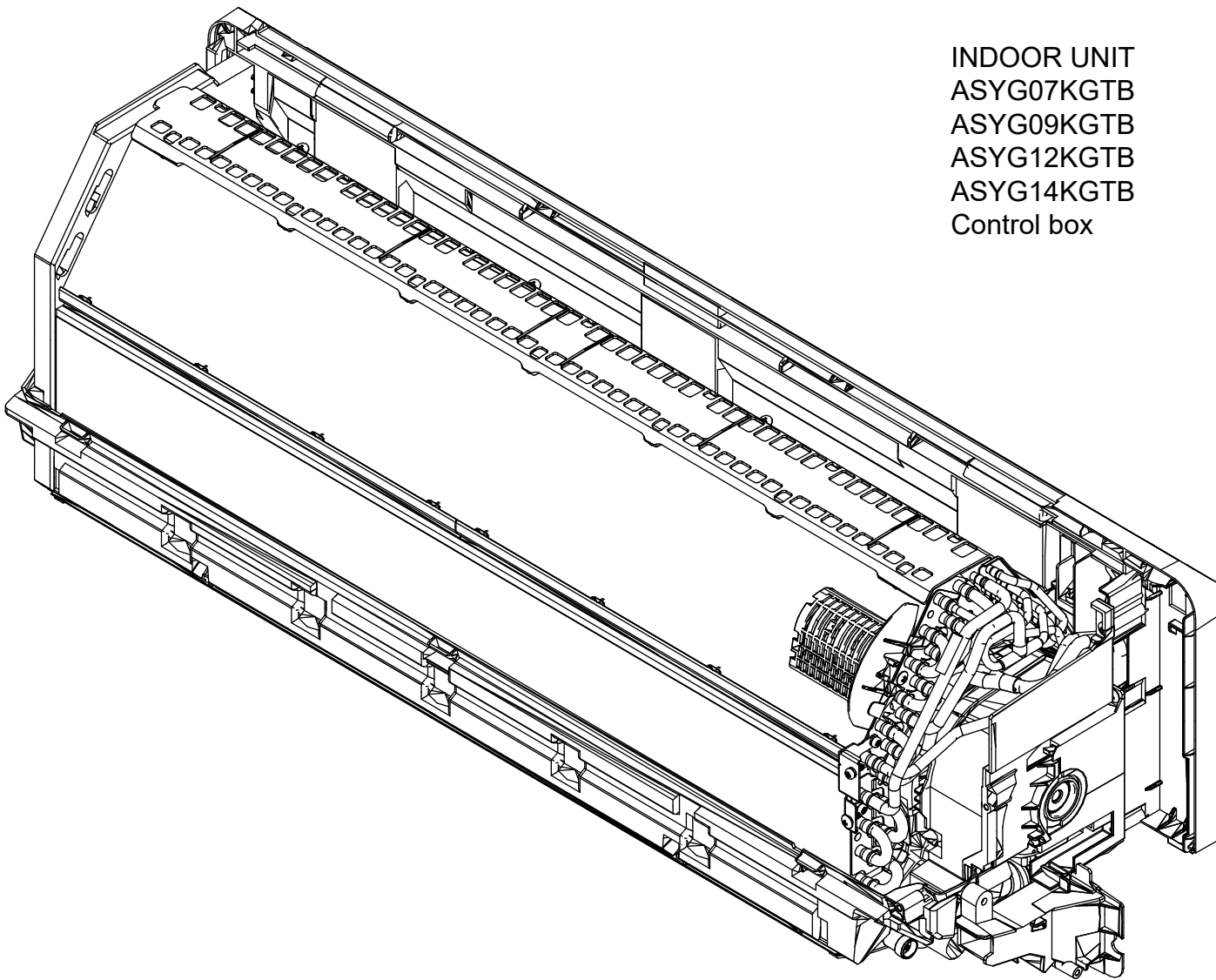


33

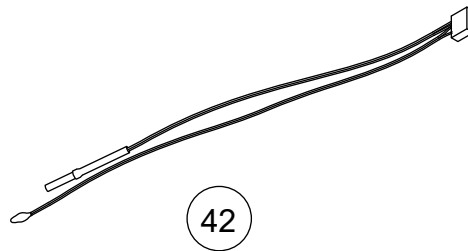
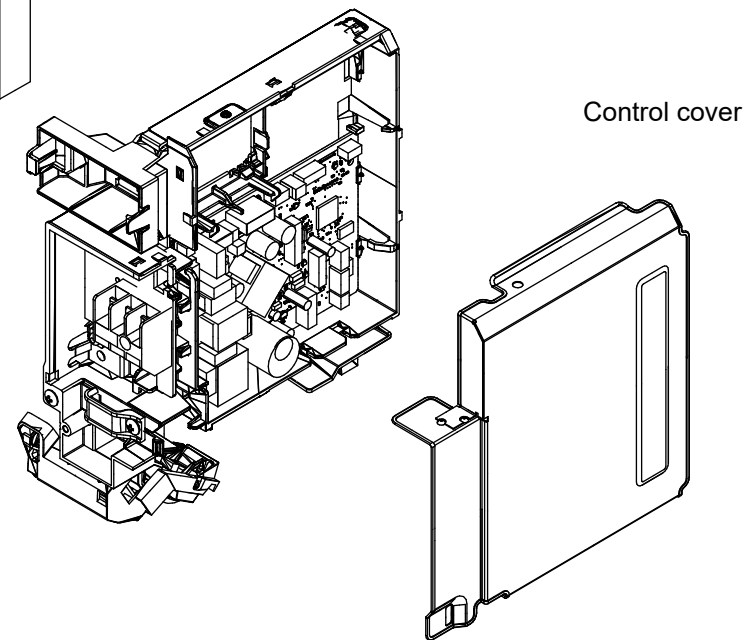
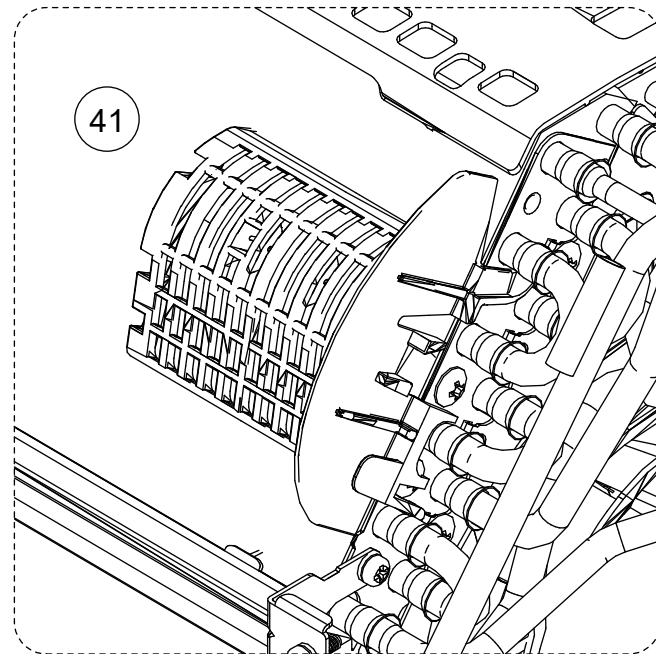


32

Ref.	Description	Part number
31	U/D louver assy	9387479003
32	Shaft cover	9332861006
33	Louver spring	9387471007

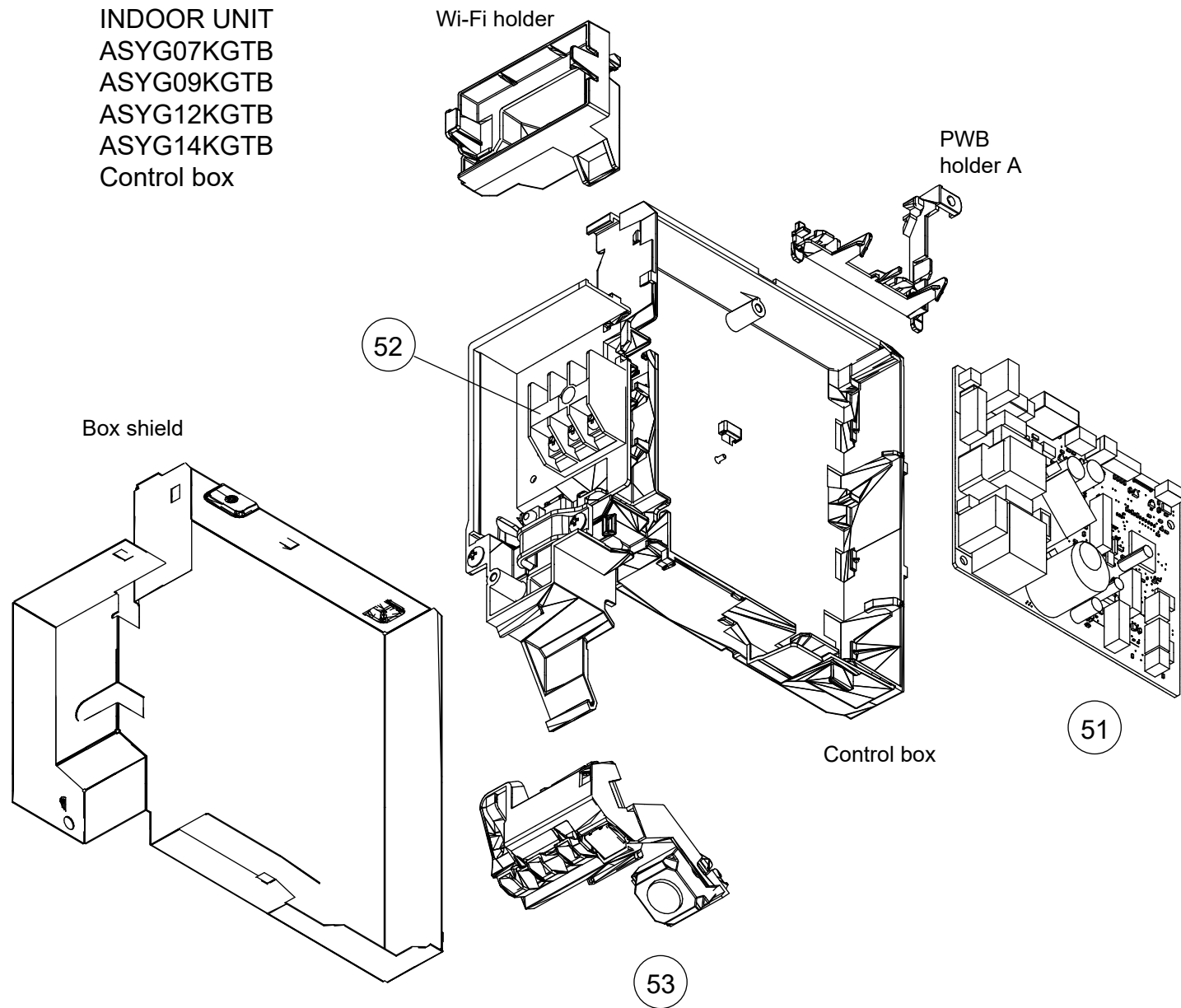


INDOOR UNIT
 ASYG07KGTB
 ASYG09KGTB
 ASYG12KGTB
 ASYG14KGTB
 Control box

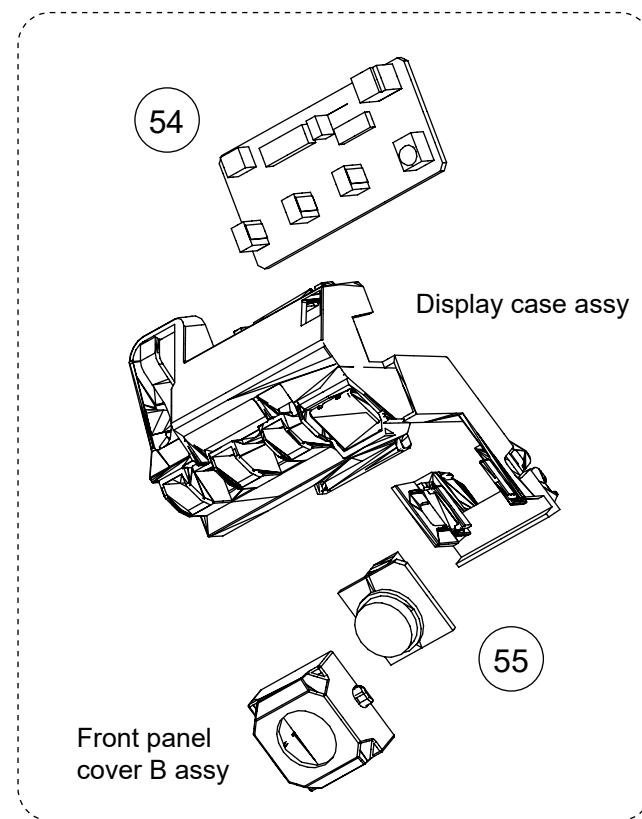


Ref.	Description	Part number
41	Room Thermistor Holder	9387467000
42	Thermistor Assy	9900627041

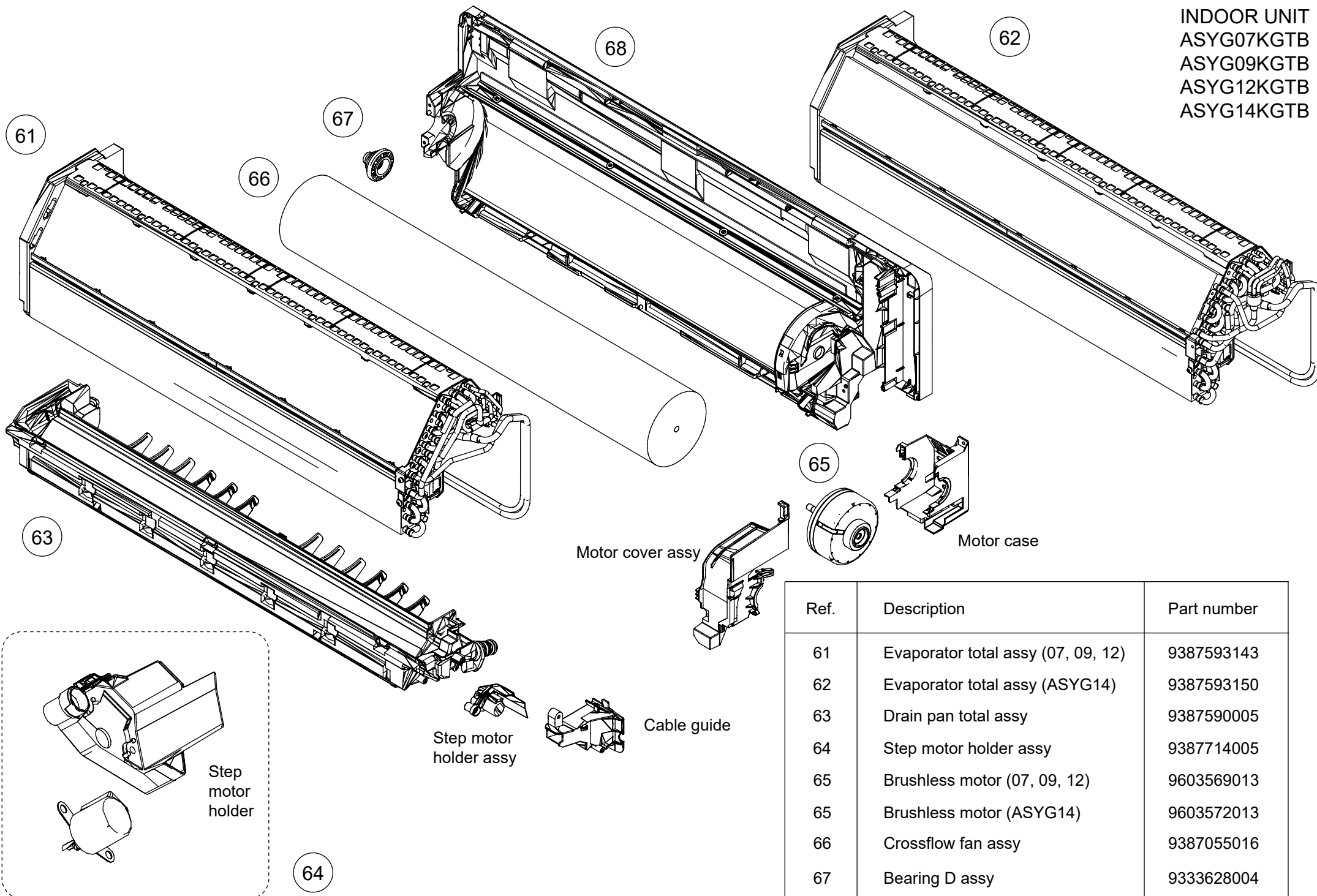
INDOOR UNIT
 ASYG07KGTB
 ASYG09KGTB
 ASYG12KGTB
 ASYG14KGTB
 Control box



Ref.	Description	Part number
51	Main PCB (ASYG07)	9710782176
51	Main PCB (ASYG09)	9710782183
51	Main PCB (ASYG12)	9710782190
51	Main PCB (ASYG14)	9710782206
52	Terminal	9306489045
53	Display assy	9710858017
54	Indicato PCB	9710786013
55	Pyroelectric sensor	9317755061



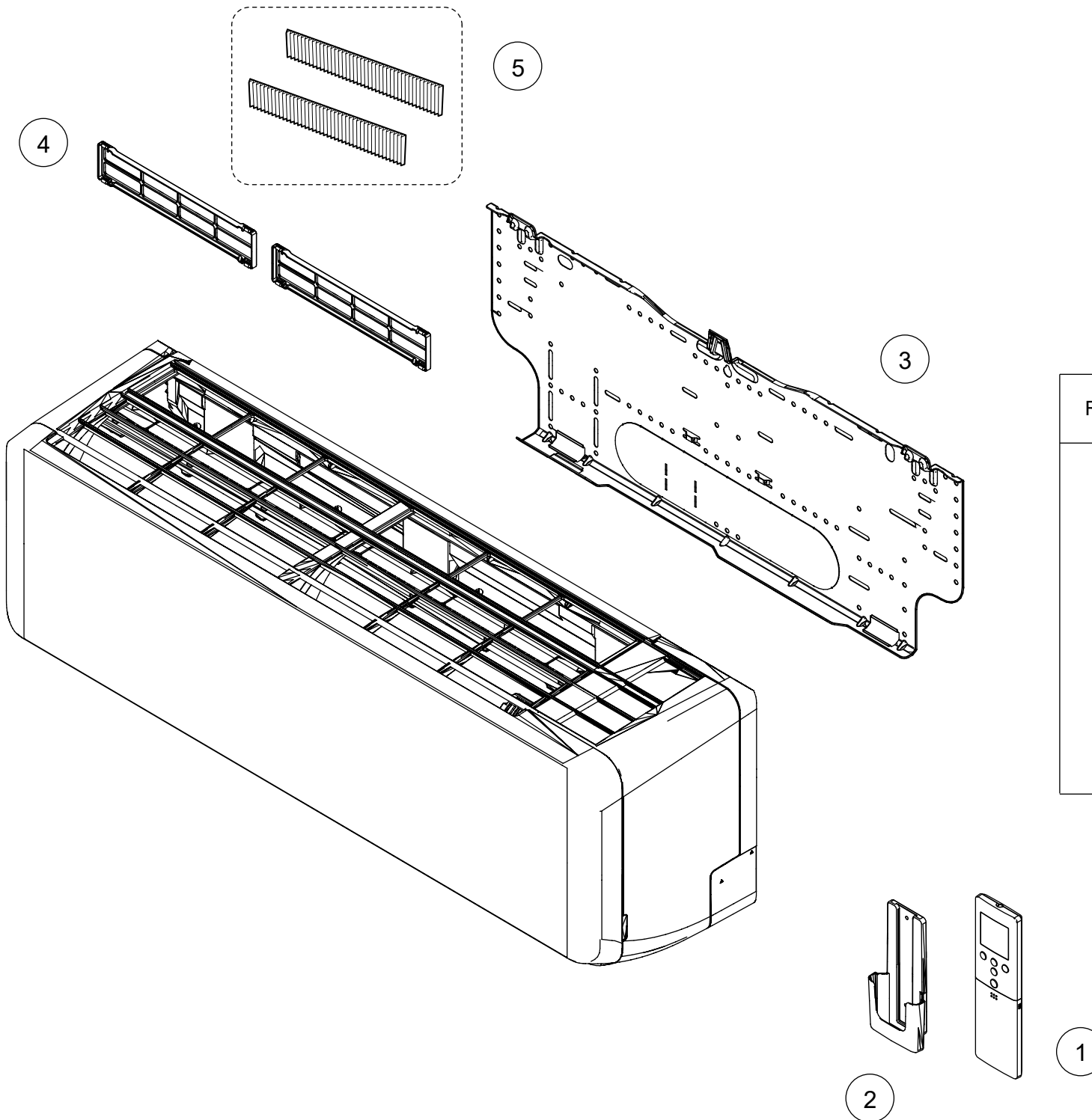
INDOOR UNIT
 ASYG07KGTB
 ASYG09KGTB
 ASYG12KGTB
 ASYG14KGTB



Ref.	Description	Part number
61	Evaporator total assy (07, 09, 12)	9387593143
62	Evaporator total assy (ASYG14)	9387593150
63	Drain pan total assy	9387590005
64	Step motor holder assy	9387714005
65	Brushless motor (07, 09, 12)	9603569013
65	Brushless motor (ASYG14)	9603572013
66	Crossflow fan assy	9387055016
67	Bearing D assy	9333628004
68	Base assy	9387587012

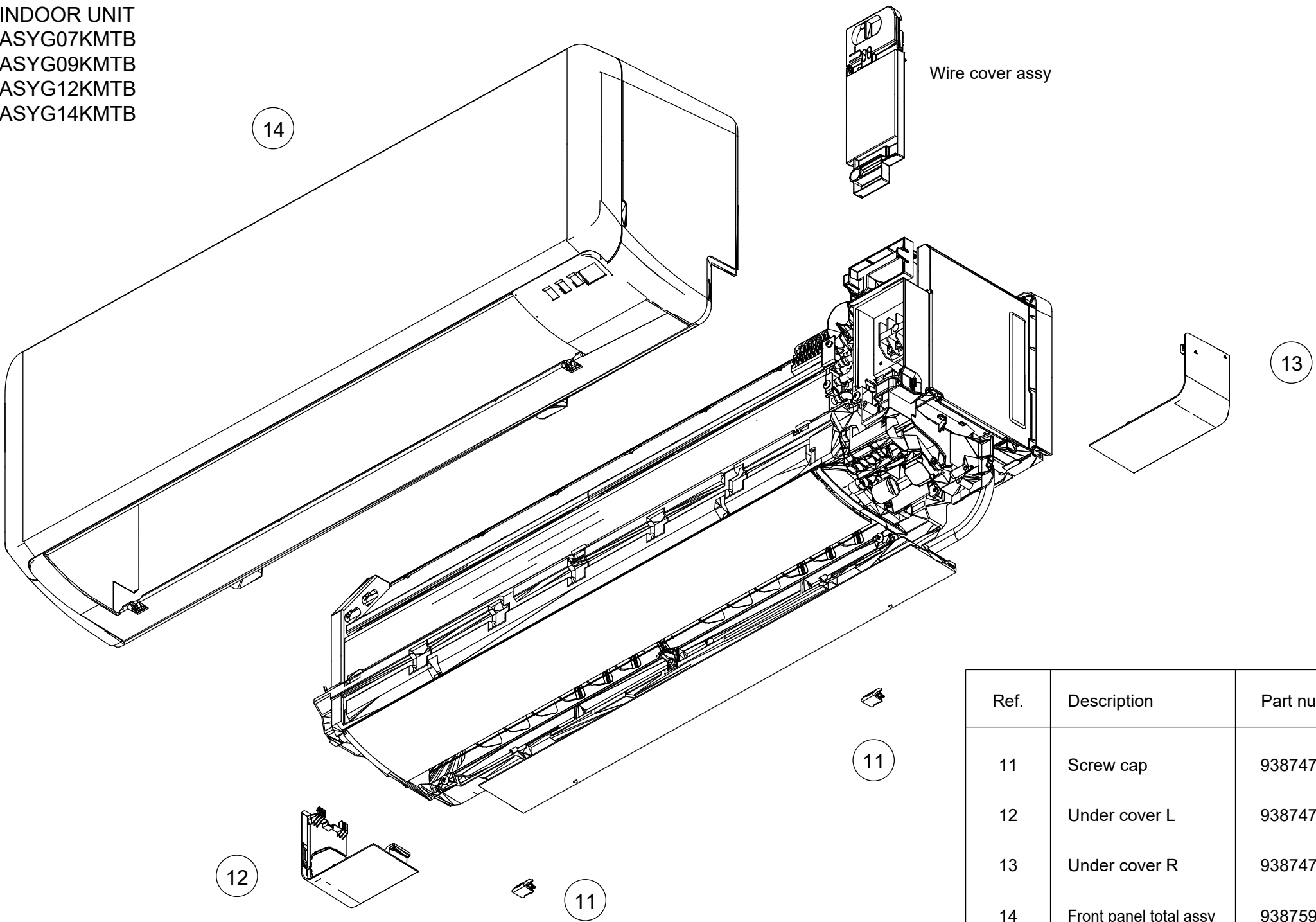
Parts

INDOOR UNIT
 ASYG07KMTB
 ASYG09KMTB
 ASYG12KMTB
 ASYG14KMTB



Ref.	Description	Part number
1	Remote control (no brand)	9319208008
2	Remote control holder	9318912005
3	Bracket panel	9387480009
4	Electric filter holder	9332911008
5	Air clean filter assy	9317250009

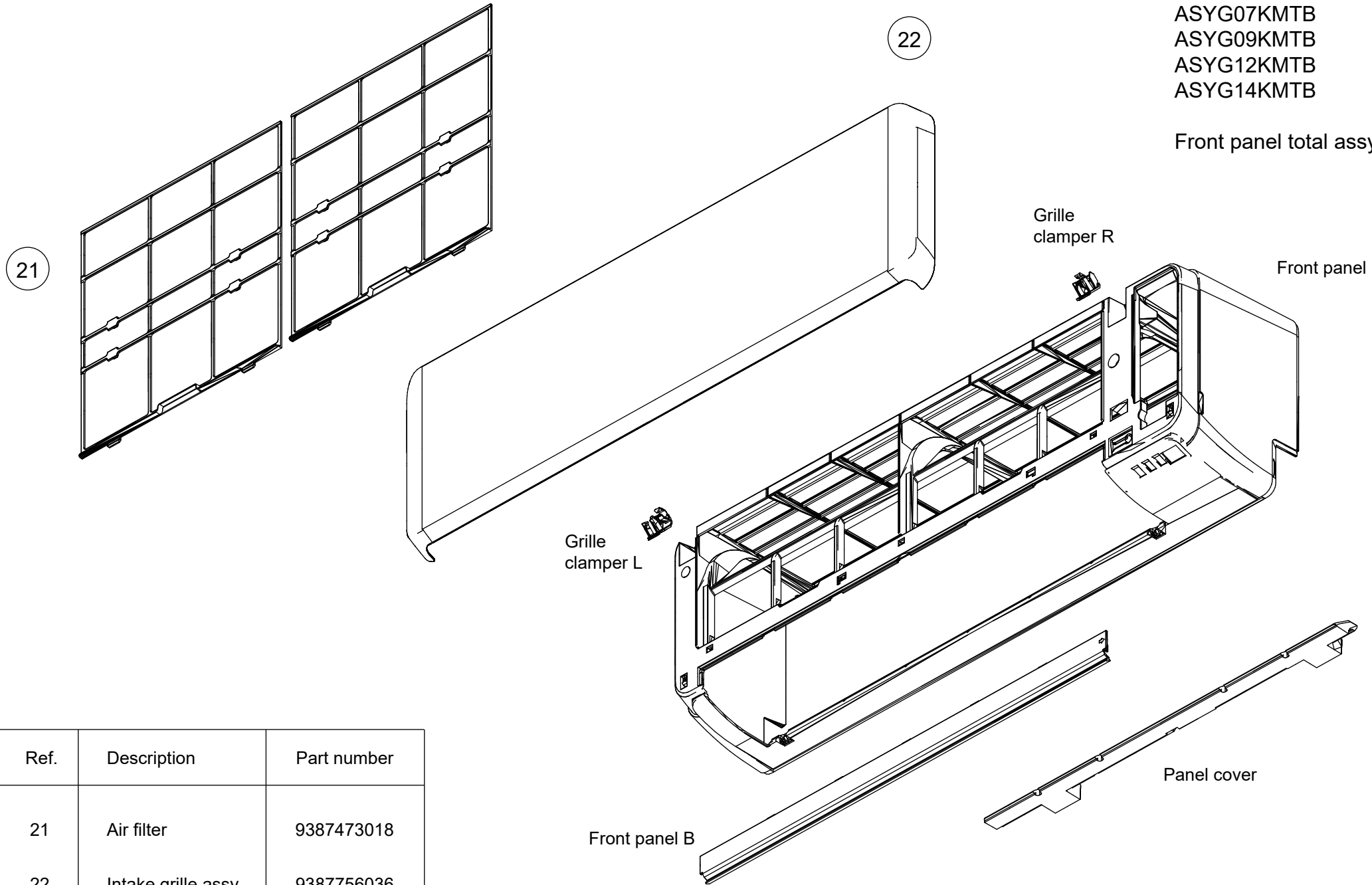
INDOOR UNIT
 ASYG07KMTB
 ASYG09KMTB
 ASYG12KMTB
 ASYG14KMTB



Ref.	Description	Part number
11	Screw cap	9387476002
12	Under cover L	9387477009
13	Under cover R	9387478006
14	Front panel total assy	9387596038

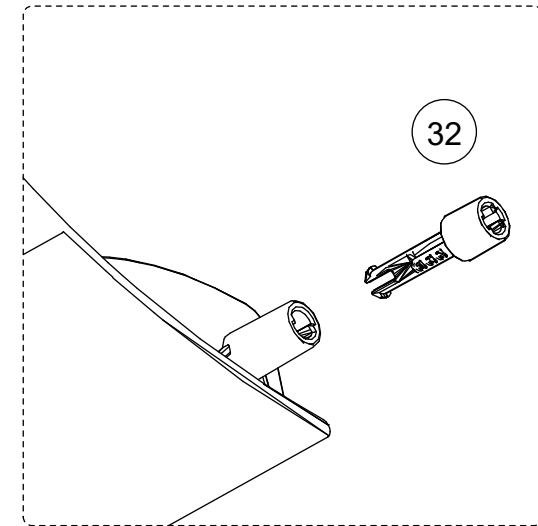
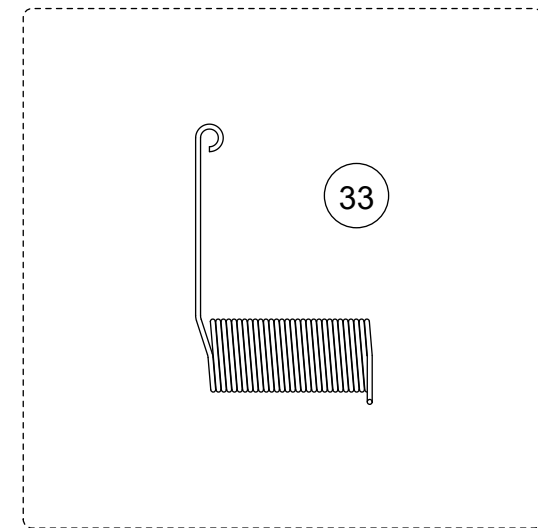
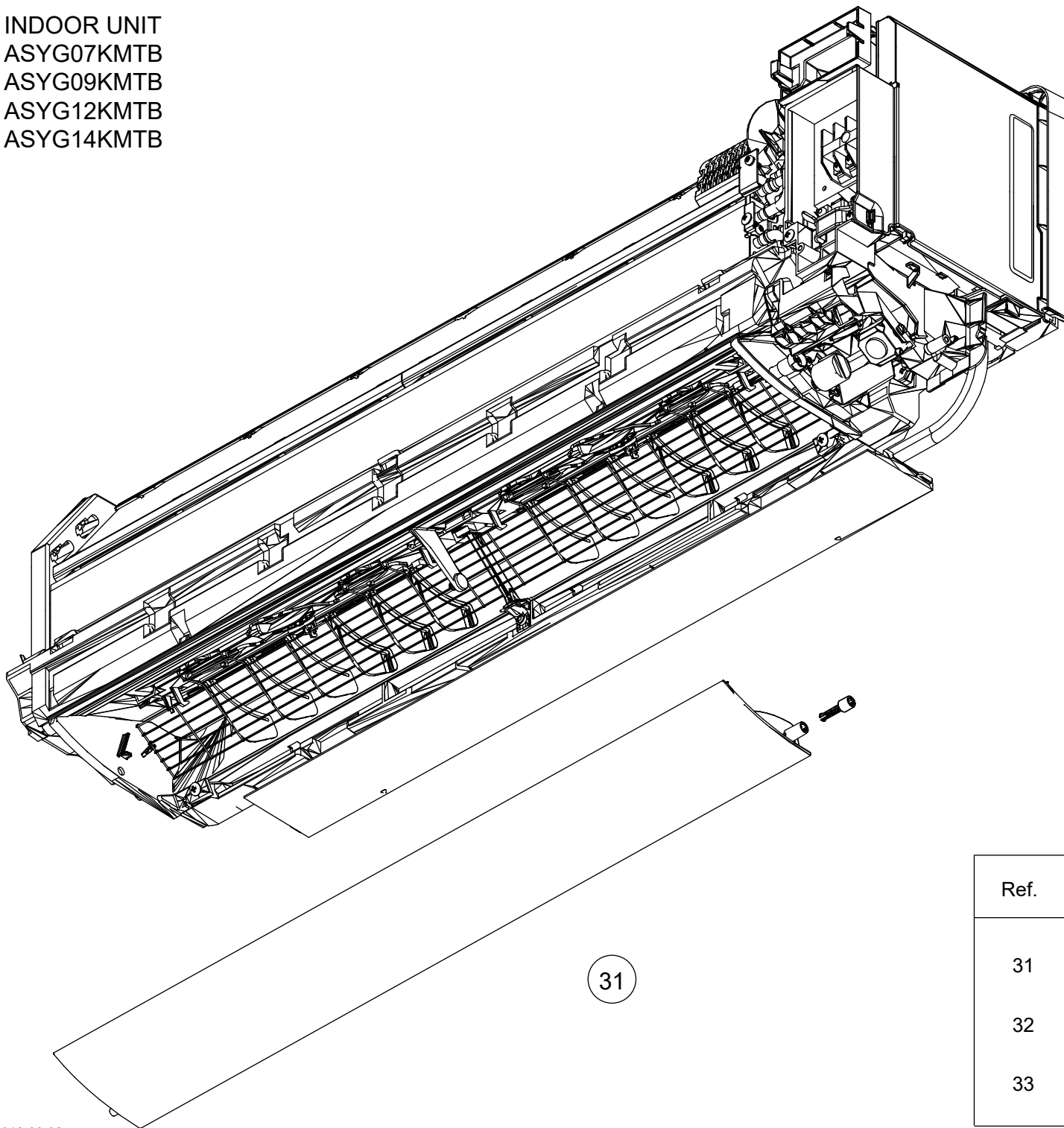
INDOOR UNIT
 ASYG07KMTB
 ASYG09KMTB
 ASYG12KMTB
 ASYG14KMTB

Front panel total assy

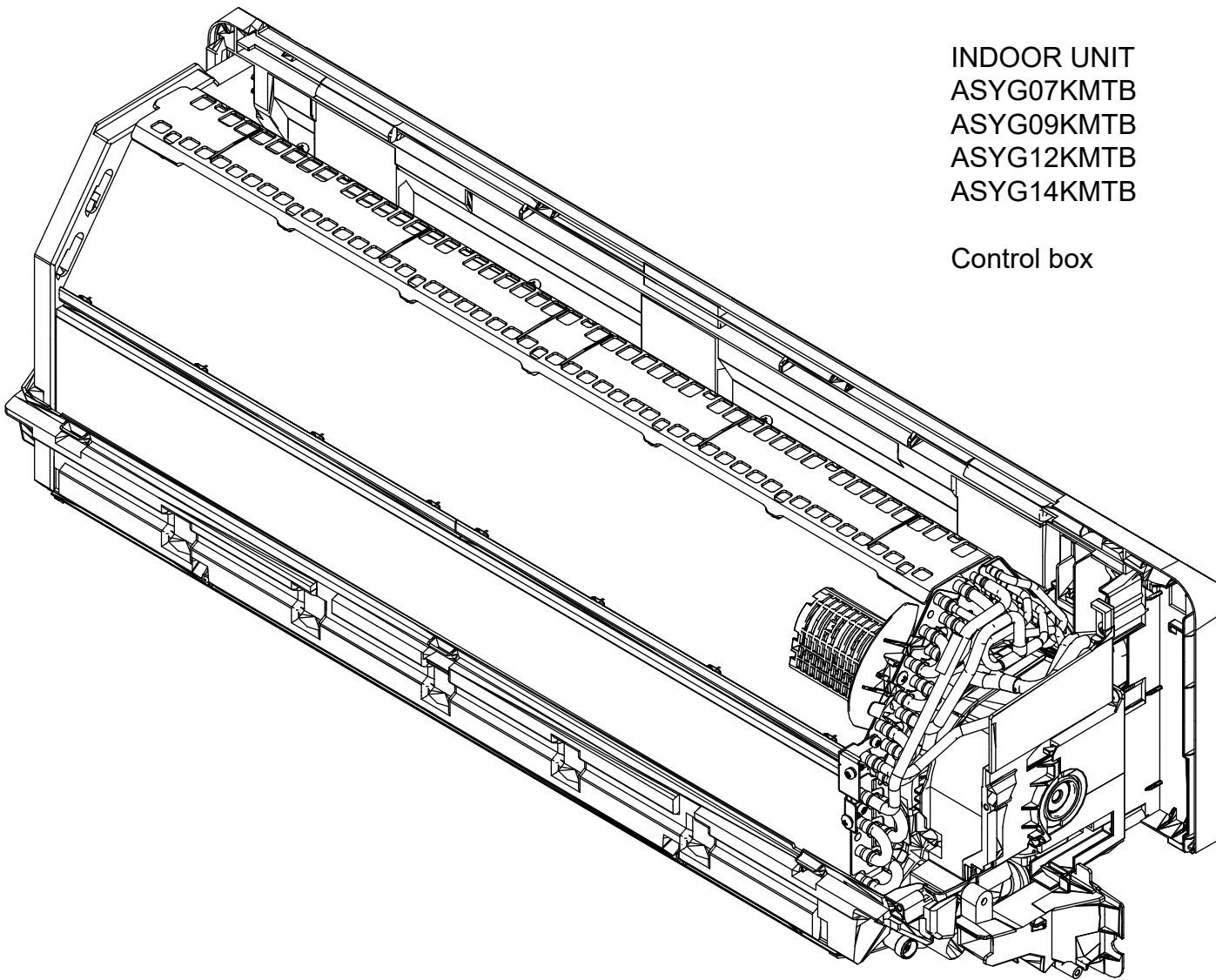


Ref.	Description	Part number
21	Air filter	9387473018
22	Intake grille assy (FUJITSU)	9387756036

INDOOR UNIT
 ASYG07KMTB
 ASYG09KMTB
 ASYG12KMTB
 ASYG14KMTB

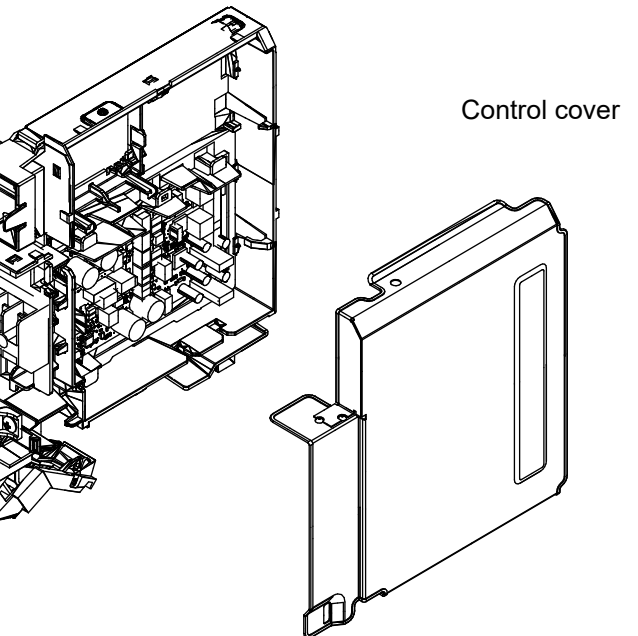
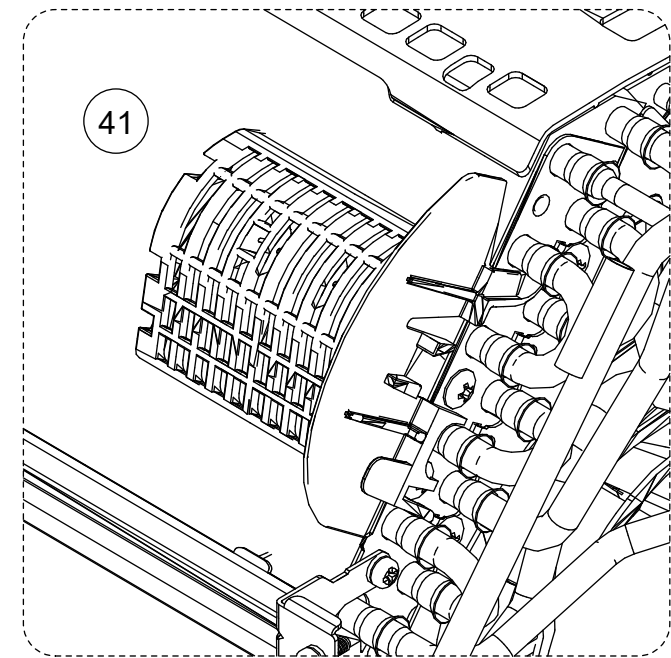


Ref.	Description	Part number
31	U/D louver assy	9387479003
32	Shaft cover	9332861006
33	Louver spring	9387471007



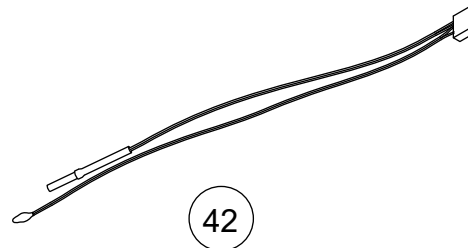
INDOOR UNIT
 ASYG07KMTB
 ASYG09KMTB
 ASYG12KMTB
 ASYG14KMTB

Control box



Control cover

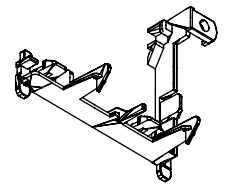
Ref.	Description	Part number
41	Room thermistor holder	9387467000
42	Thermistor assy	9900627027



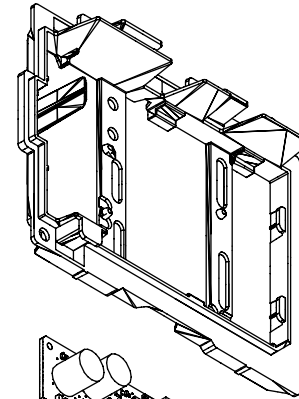
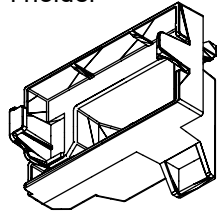
INDOOR UNIT
 ASYG07KMTB
 ASYG09KMTB
 ASYG12KMTB
 ASYG14KMTB

Control box

Wi-Fi holder

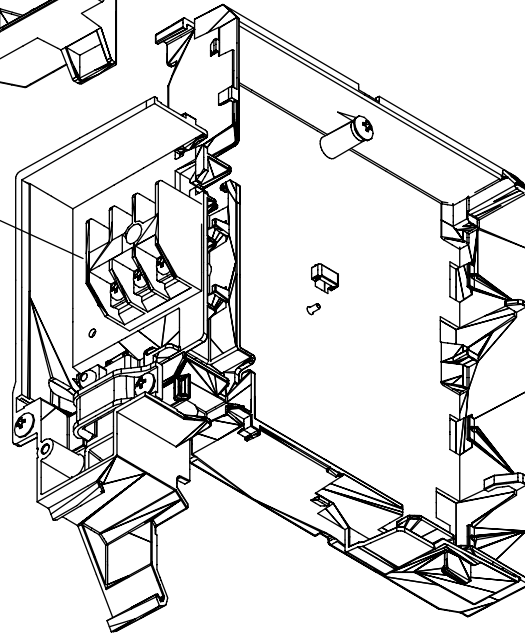


PWB holder A



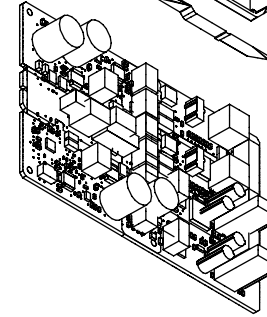
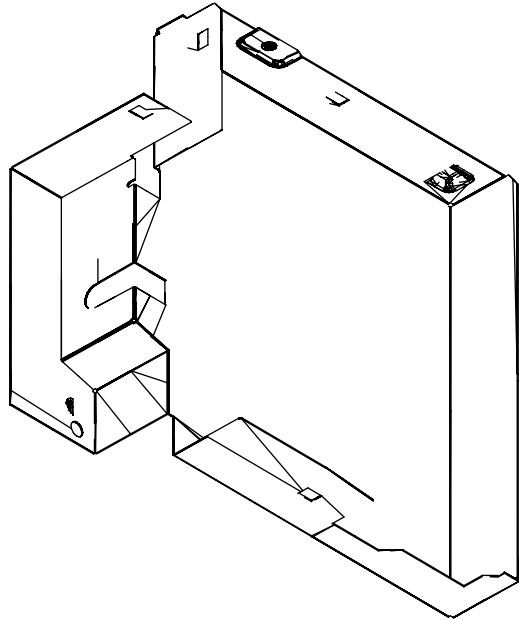
PWB holder B

52

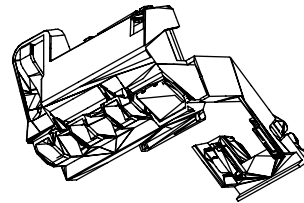


Control box

Box shield

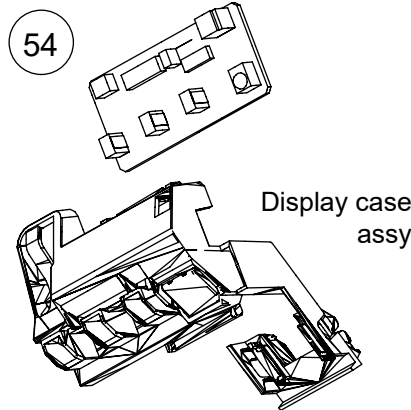


51



53

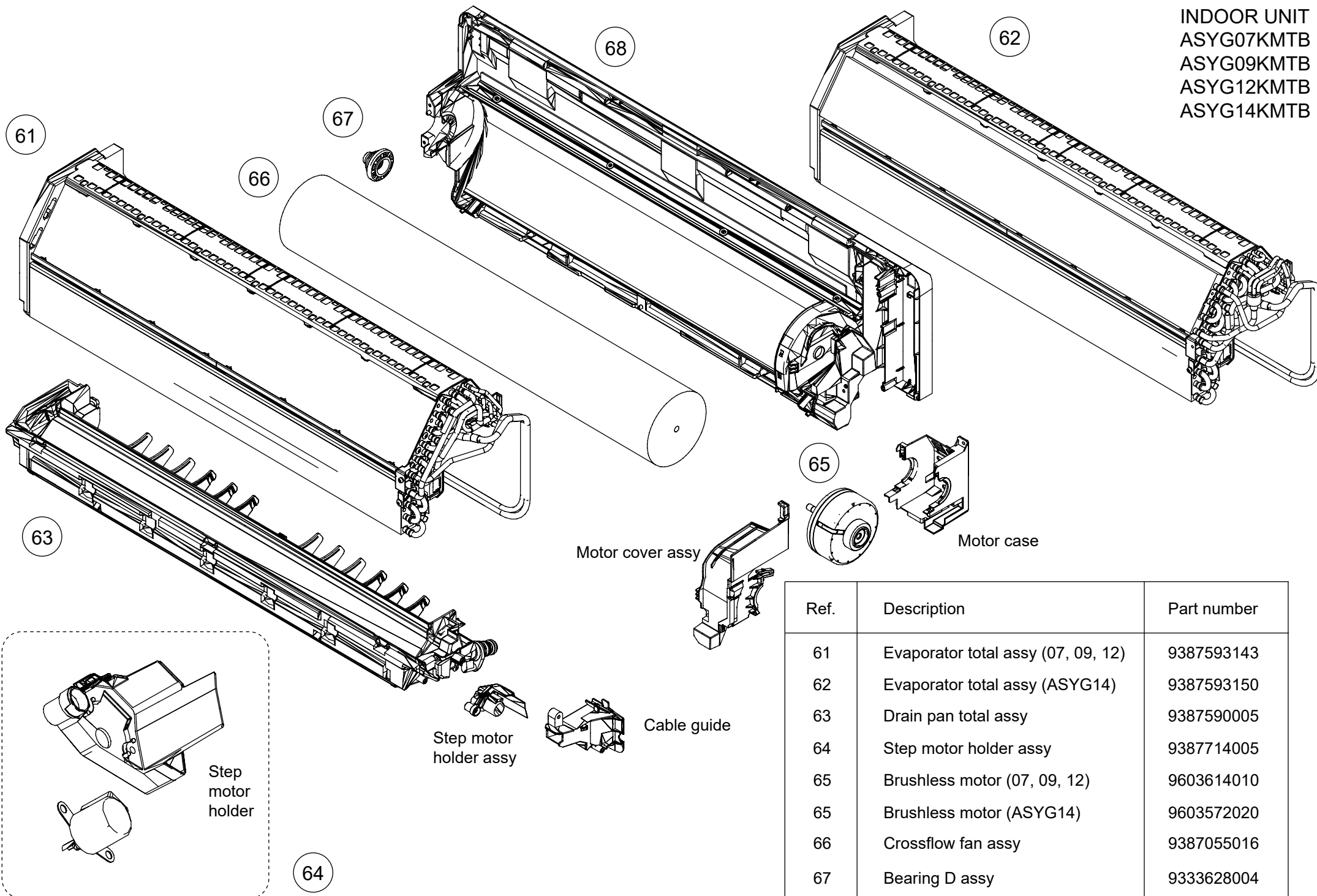
54



Display case
 assy

Ref.	Description	Part number
51	Main PCB (ASYG07)	9710368295
51	Main PCB (ASYG09)	9710368301
51	Main PCB (ASYG12)	9710368318
51	Main PCB (ASYG14)	9710368325
52	Terminal	9900369057
53	Display assy	9710858024
54	Indicator PCB	9710786020

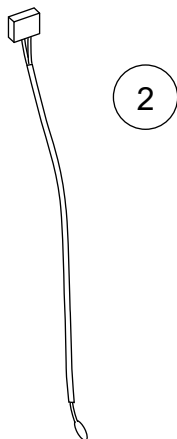
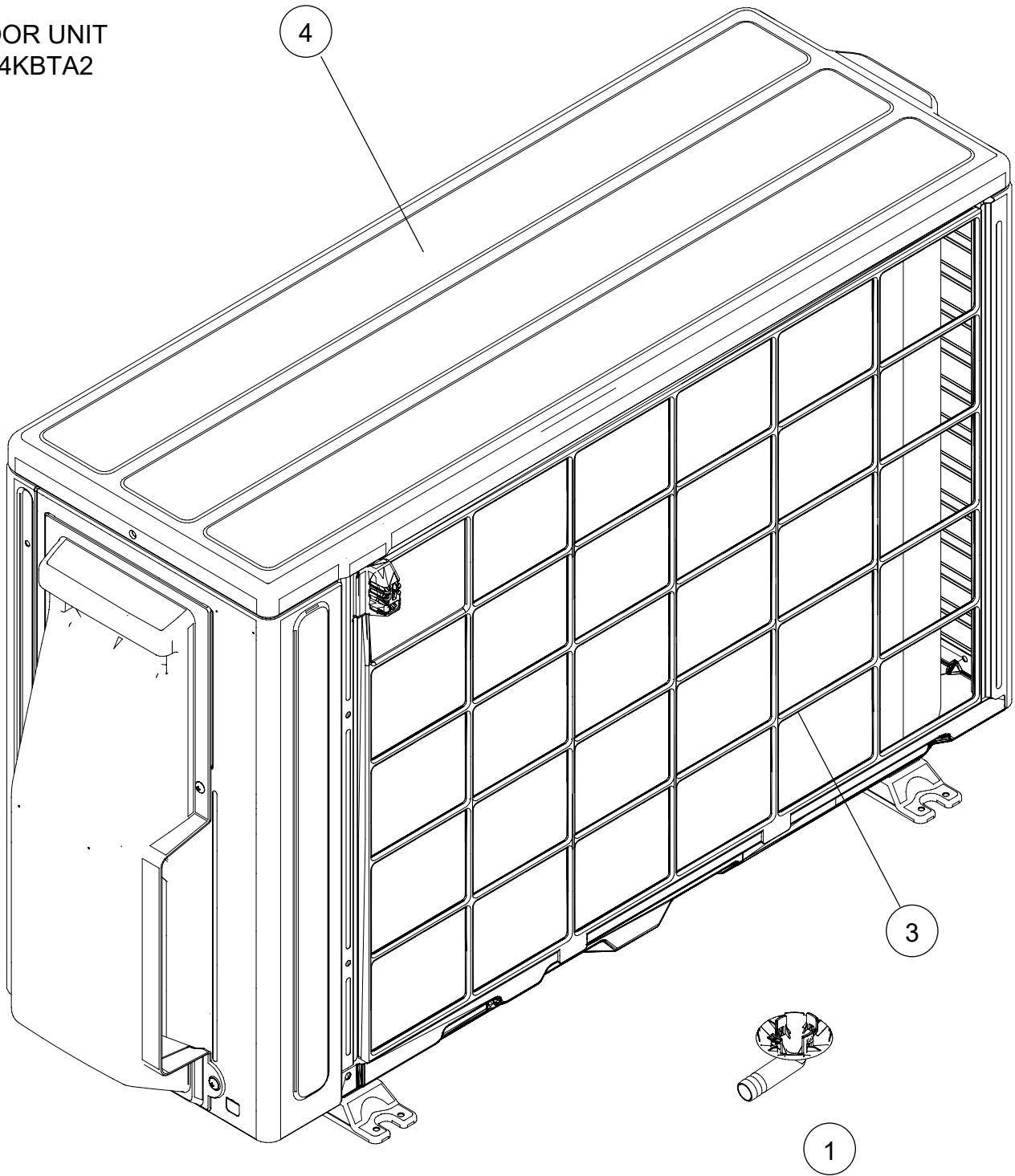
INDOOR UNIT
 ASYG07KMTB
 ASYG09KMTB
 ASYG12KMTB
 ASYG14KMTB



Ref.	Description	Part number
61	Evaporator total assy (07, 09, 12)	9387593143
62	Evaporator total assy (ASYG14)	9387593150
63	Drain pan total assy	9387590005
64	Step motor holder assy	9387714005
65	Brushless motor (07, 09, 12)	9603614010
65	Brushless motor (ASYG14)	9603572020
66	Crossflow fan assy	9387055016
67	Bearing D assy	9333628004
68	Base assy	9387587012

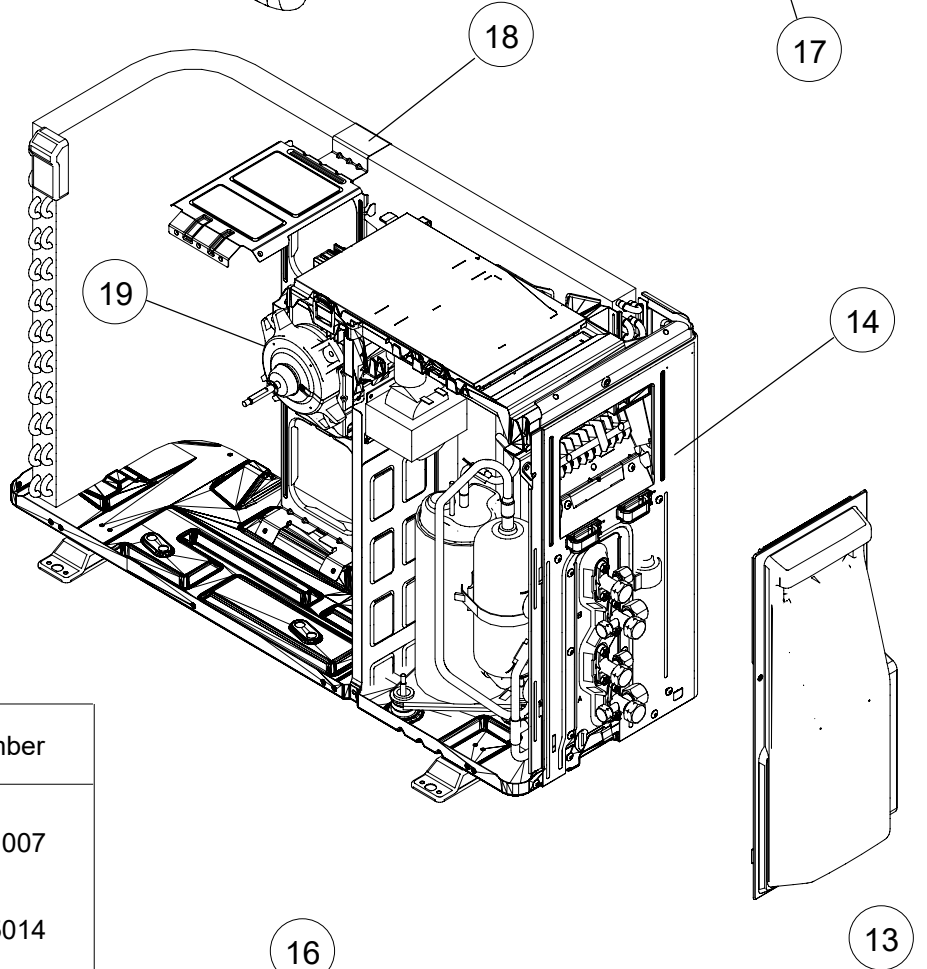
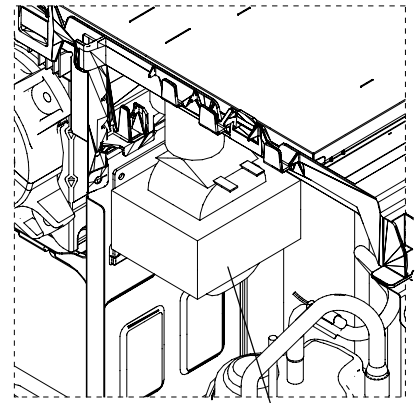
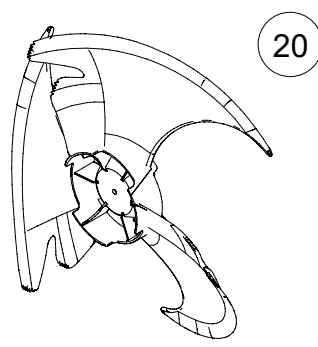
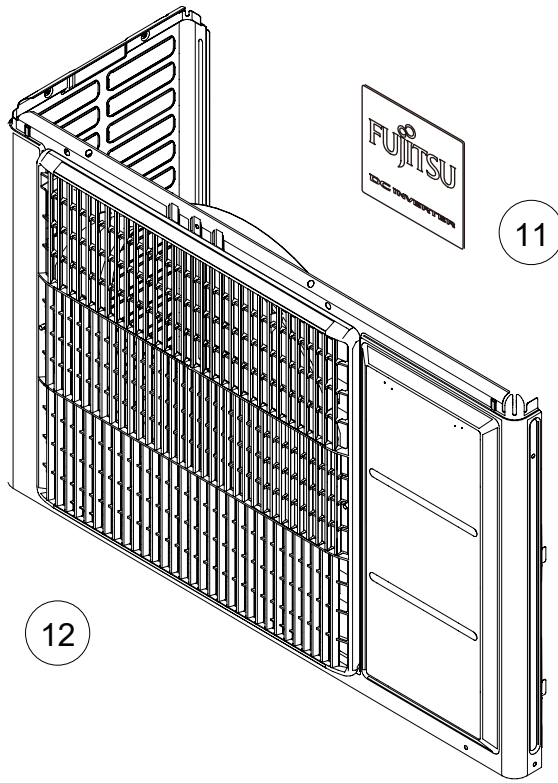
Parts

OUTDOOR UNIT
AOYG14KBTA2

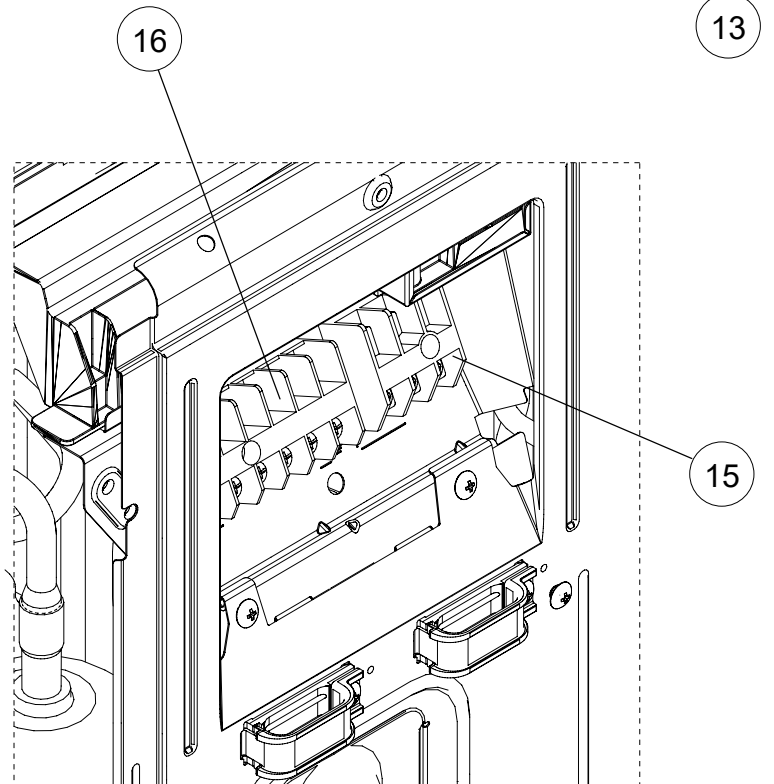


Ref.	Description	Part number
1	Drain pipe	9322144003
2	Outdoor thermistor	9900565060
3	Protective net assy	9322811011
4	Top panel assy	9322556028

OUTDOOR UNIT
AOYG14KBTA2

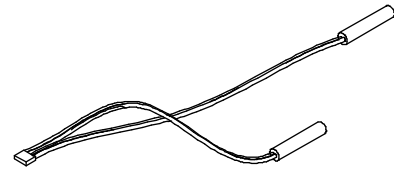


Ref.	Description	Part number
11	Emblem	9319151007
12	Front panel assy	9322555014
13	Switch cover assy	9322570055
14	Cabinet right assy	9322552181
15	Terminal 3P	9900369064
16	Terminal 6P	9900435042
17	Reactor assy	9900963019
18	Motor bracket assy	9322553010
19	Brushless motor	9603657017
20	Propeller fan	9322136008

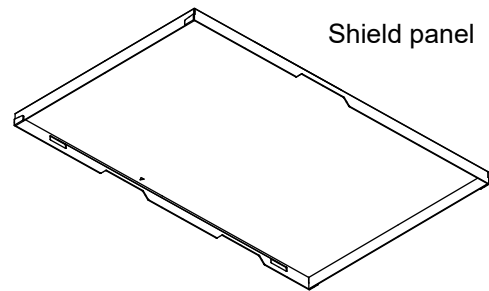


OUTDOOR UNIT
AOYG14KBTA2

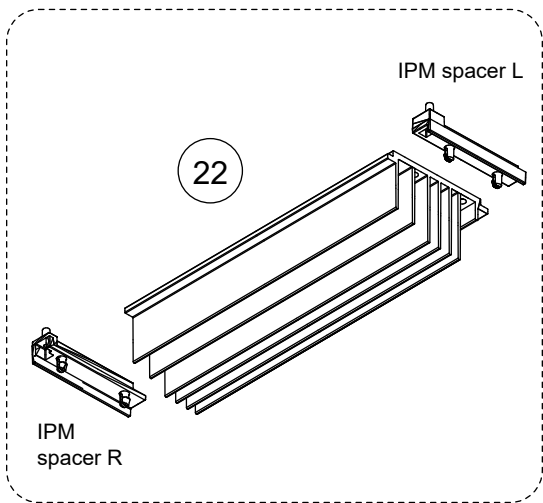
Ref.	Description	Part number
21	PWB completed (Main PCB)	9711317001
22	Heatsink	9322418005
23	Thermistor assy	9900727062
--	Heat ex. thermistor	9900984014
--	Thermistor assy (AB)	9901025013
--	Compressor temp. thermistor	9900985035



23



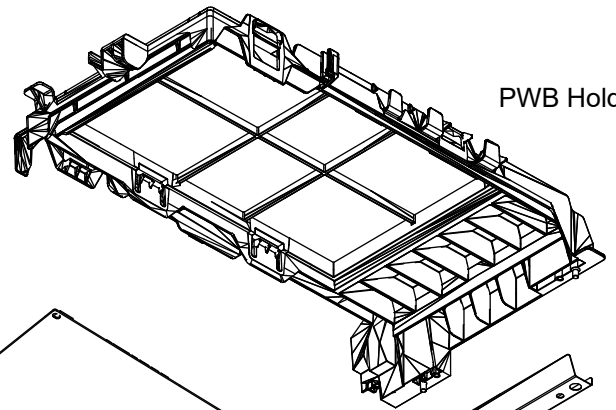
Shield panel



IPM spacer L

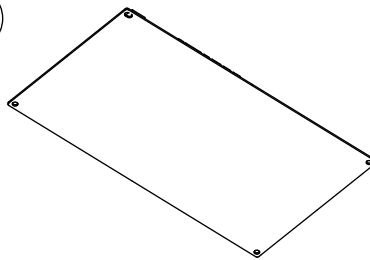
22

IPM
spacer R

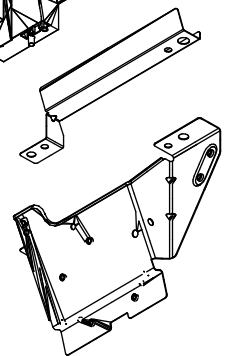


PWB Holder

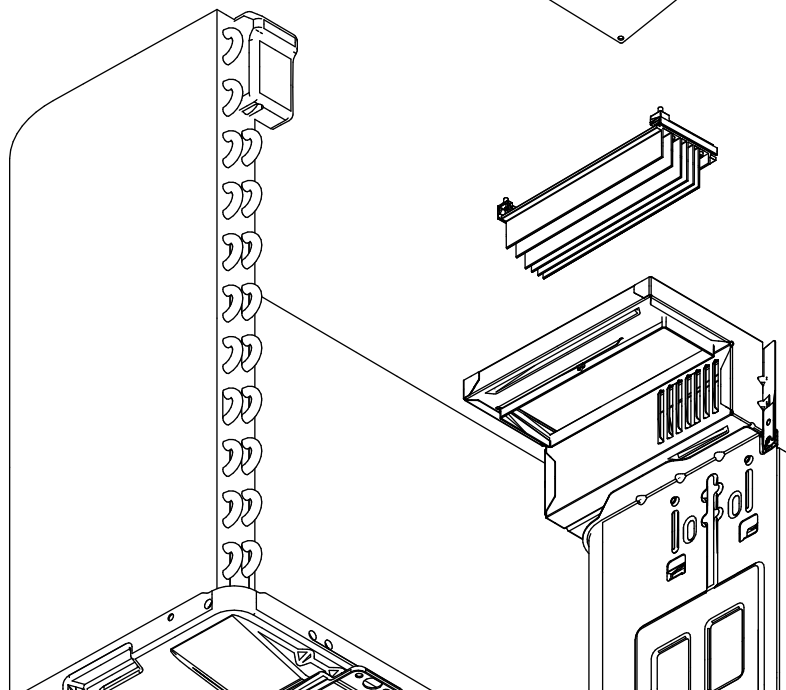
21



Auxiliary
plate

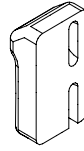


Terminal
bracket assy

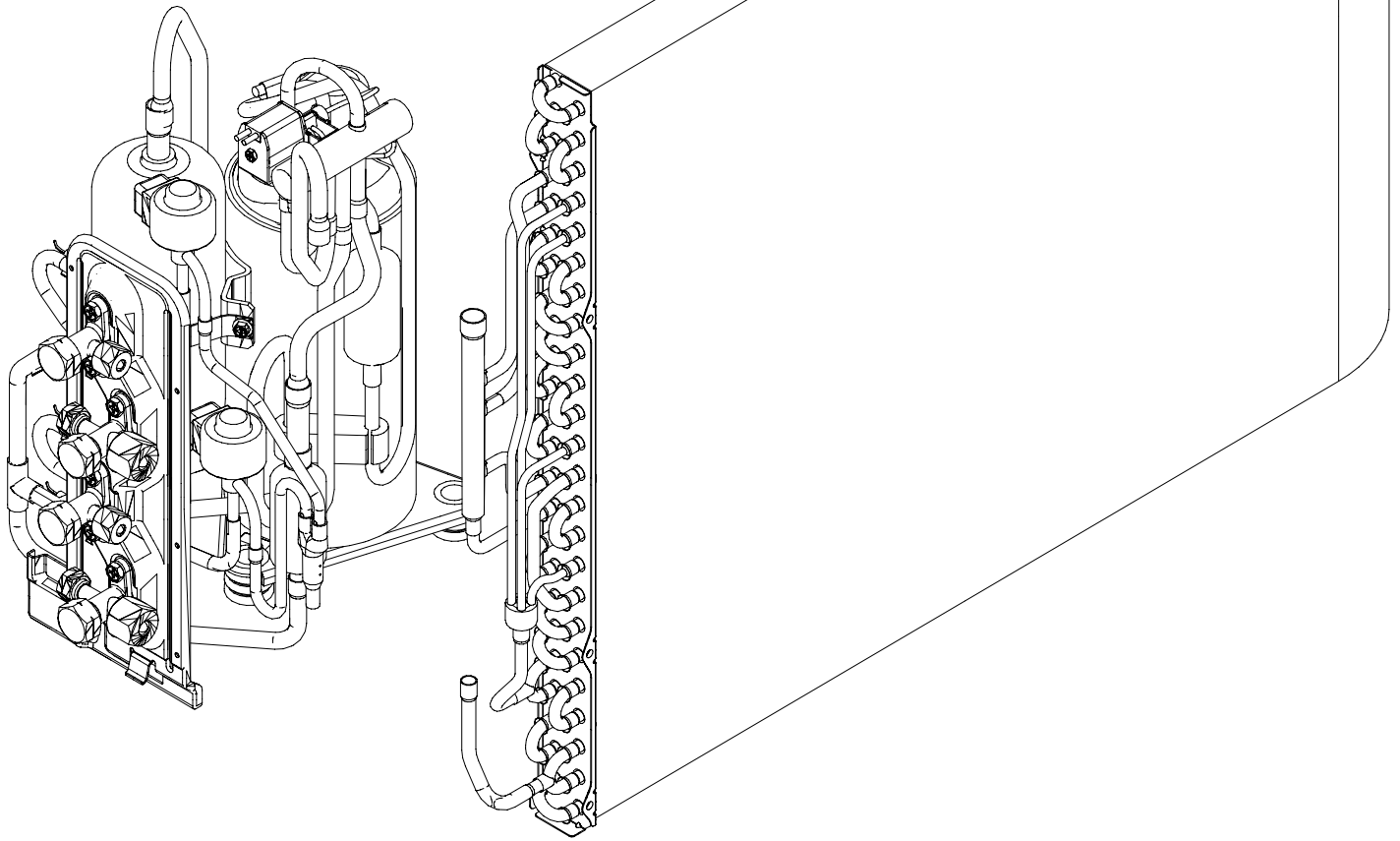


OUTDOOR UNIT
AOYG14KBTA2

Hair pin
cushion

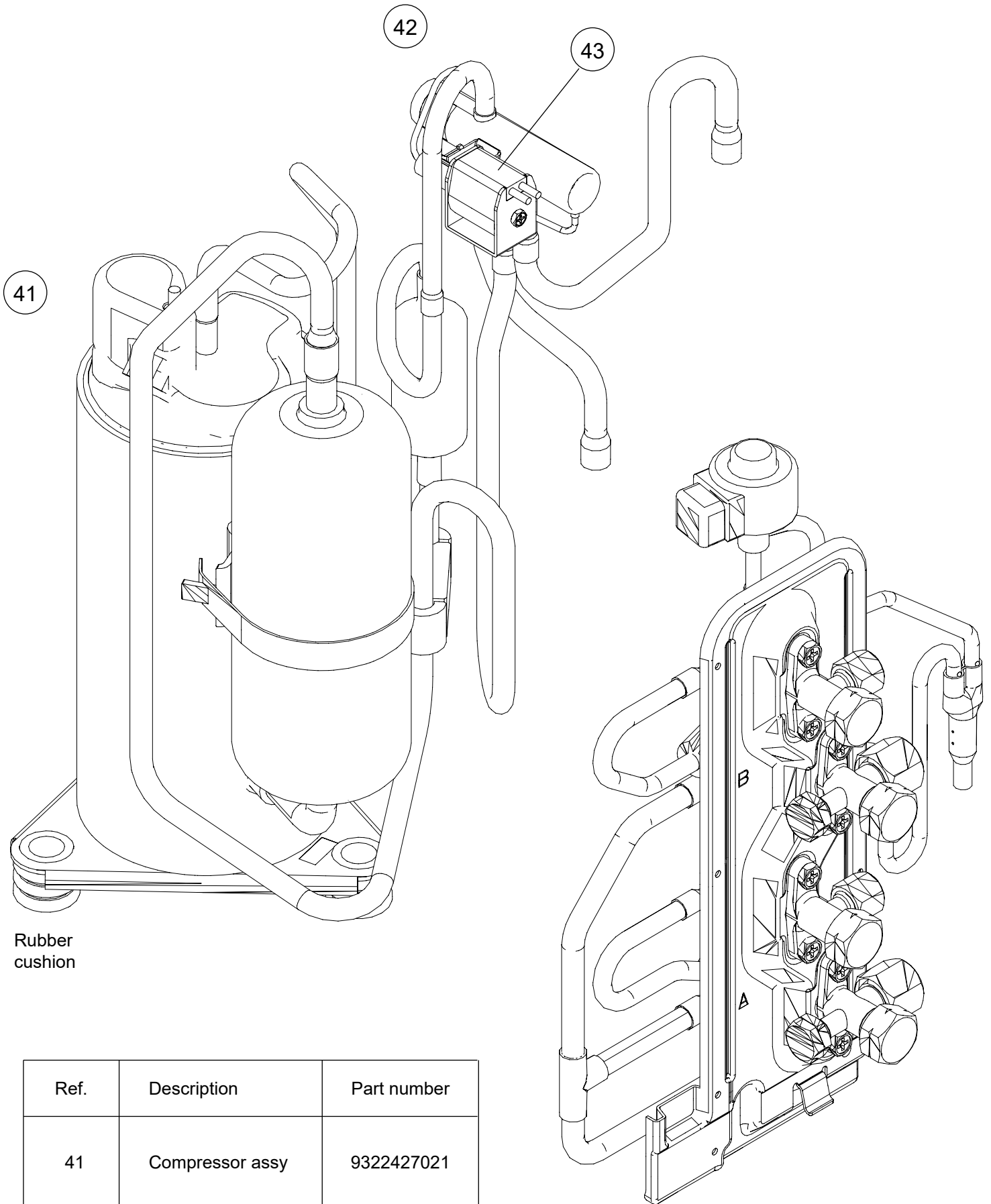


31



Ref.	Description	Part number
31	Condenser total assy	9322275028
-	S-insulator B	9322535009
-	S-insulator F	9322536013
-	S-insulator H	9322537003
-	S-insulator V	9323045002

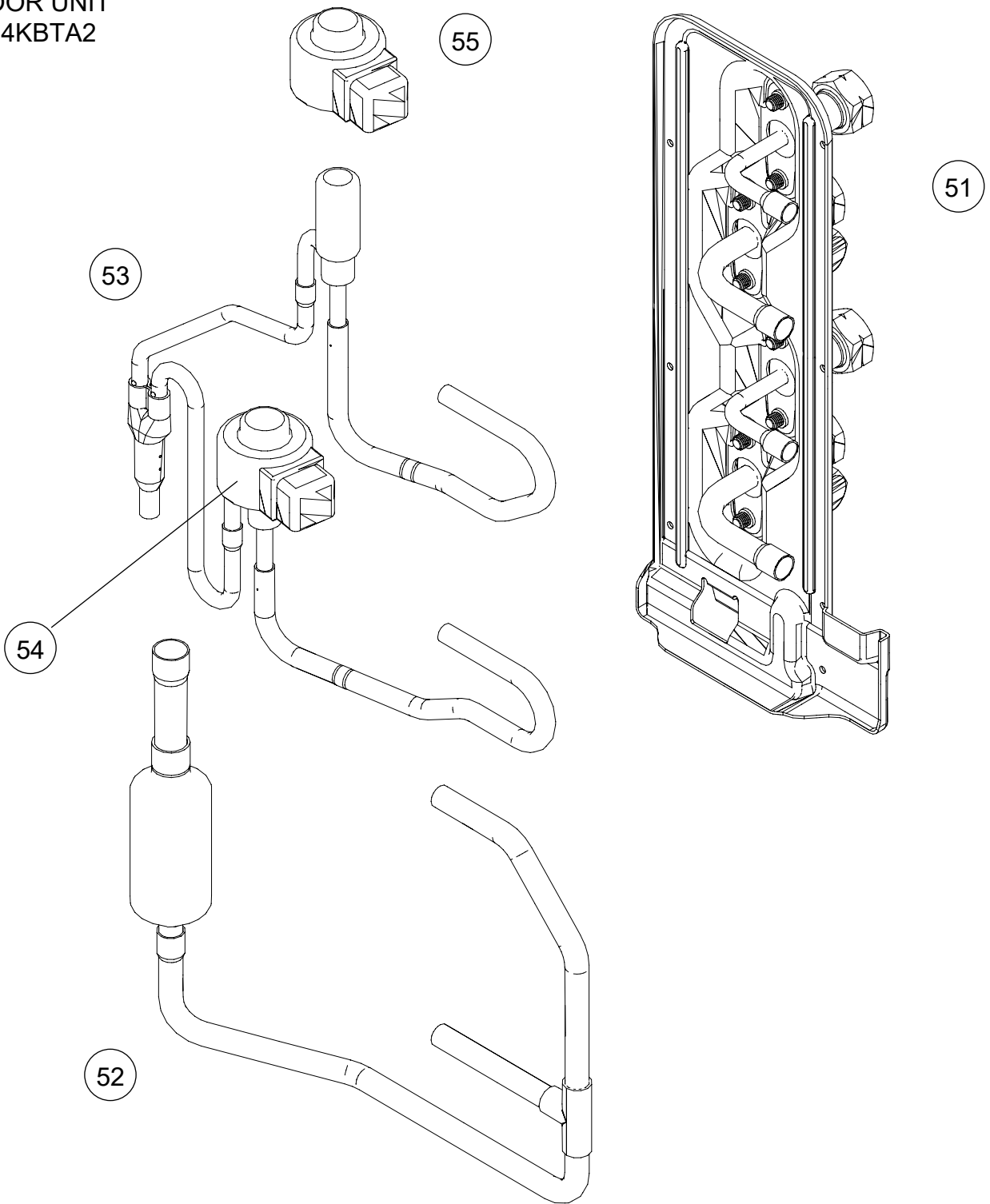
OUTDOOR UNIT
AOYG14KBT2



Rubber
cushion

Ref.	Description	Part number
41	Compressor assy	9322427021
42	4-way valve assy	9322444035
43	Solenoid	9970206009

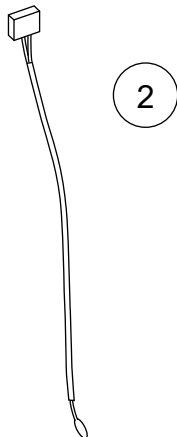
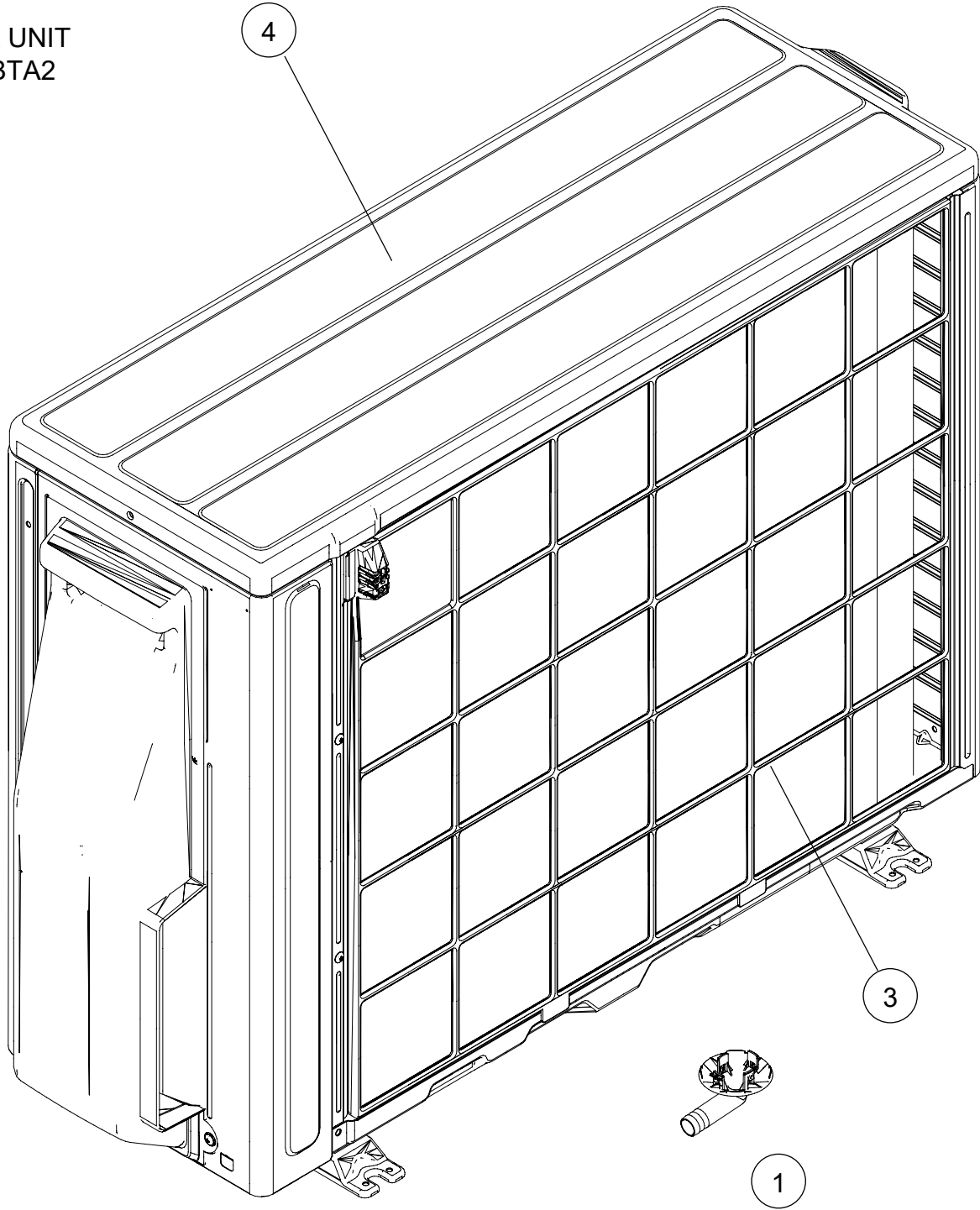
OUTDOOR UNIT
AOYG14KBTA2



Ref.	Description	Part number
51	Valve assy	9383070006
52	Valve gas pipe assy	9382236038
53	Pulse motor valve assy	9383071003
54	Expansion valve coil (A)	9970186042
55	Expansion valve coil (B)	9970187032

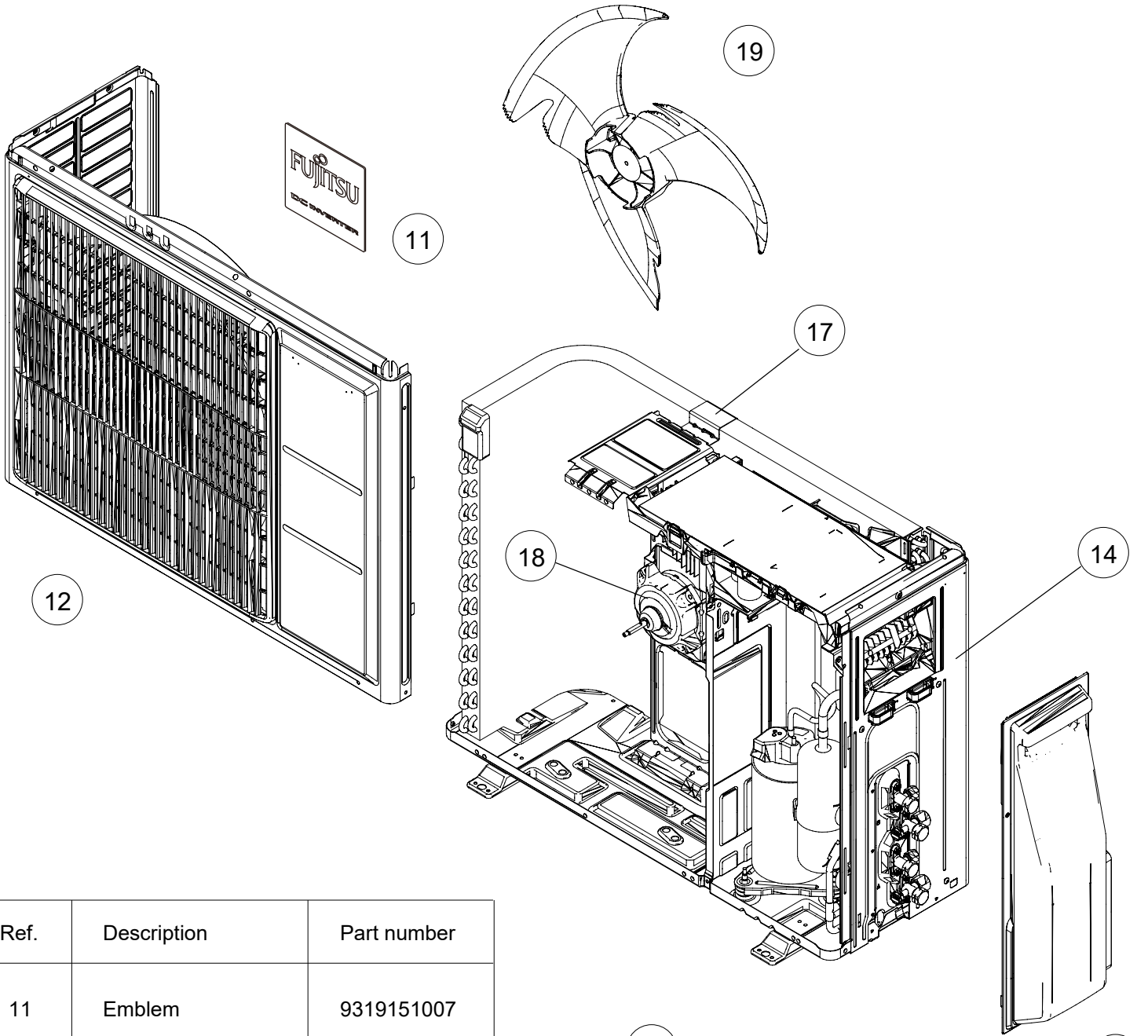
Parts

OUTDOOR UNIT
AOYG18KBTA2

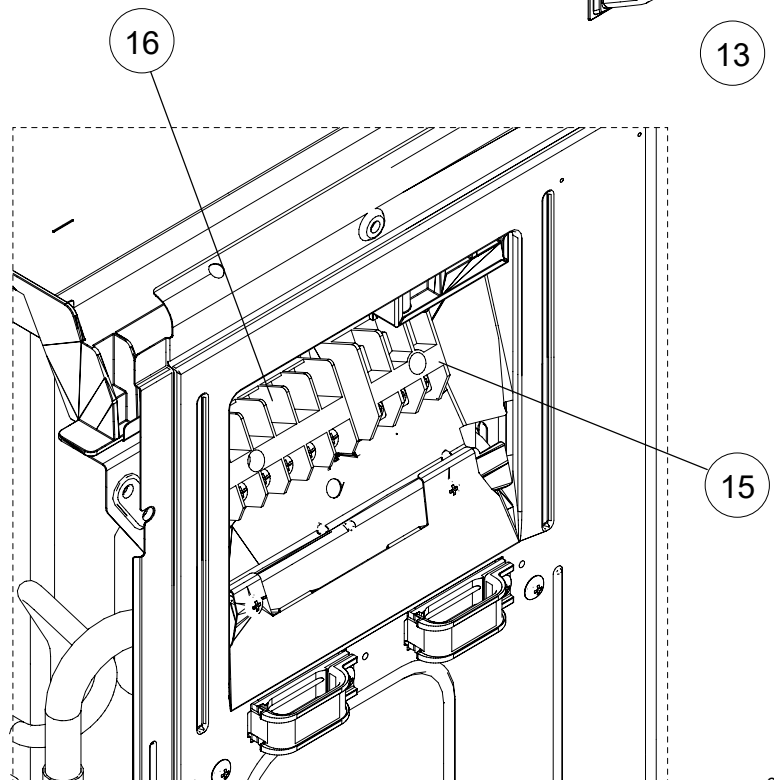


Ref.	Description	Part number
1	Drain pipe	9322144003
2	Outdoor thermistor	9900565060
3	Protective net assy	9322811028
4	Top panel assy	9322556028

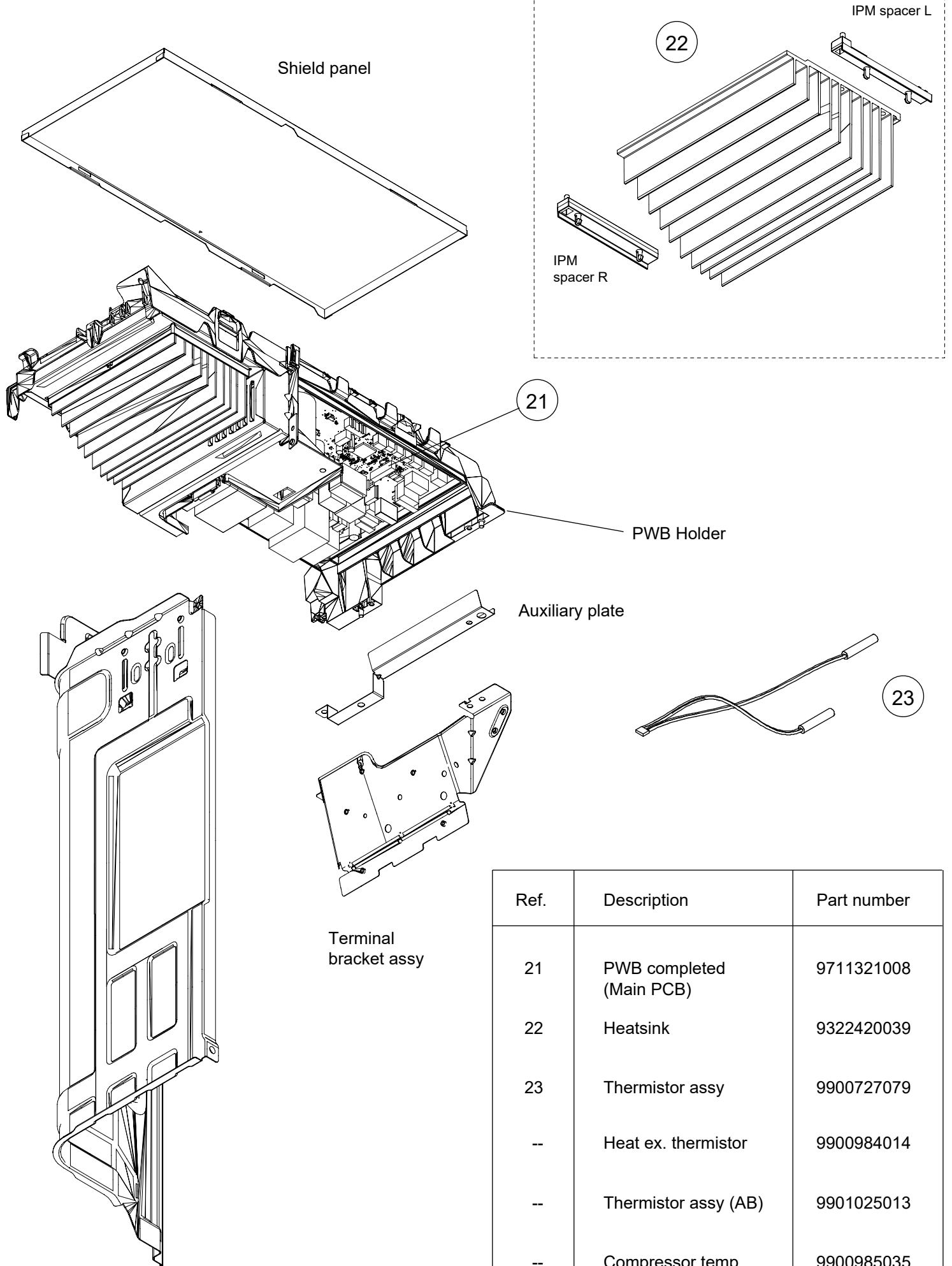
OUTDOOR UNIT
AOYG18KBTA2



Ref.	Description	Part number
11	Emblem	9319151007
12	Front panel assy	9322555021
13	Switch cover assy	9322570062
14	Cabinet right assy	9322552198
15	Terminal 3P	9900369064
16	Terminal 6P	9900435042
17	Motor bracket assy	9322553027
18	Brushless motor	9603601003
19	Propeller fan	9322150004



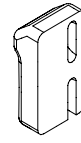
OUTDOOR UNIT
AOYG18KBTA2



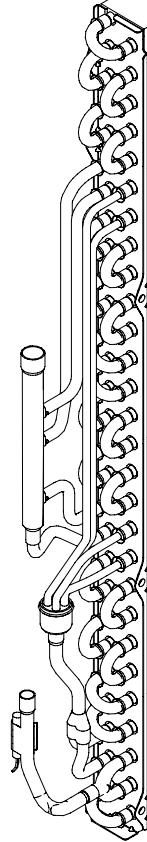
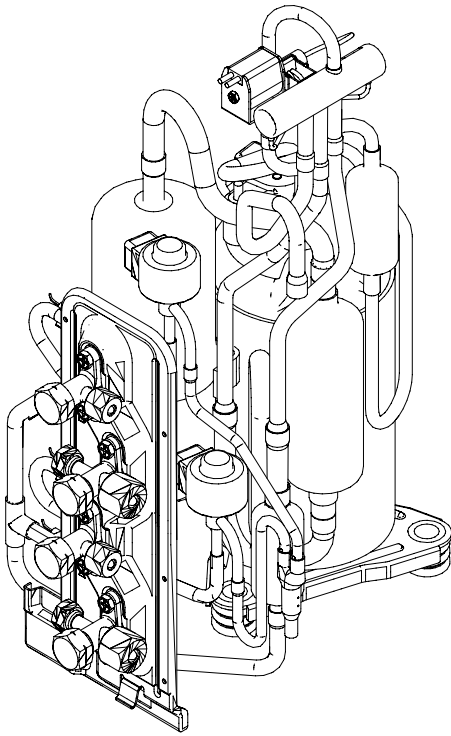
Ref.	Description	Part number
21	PWB completed (Main PCB)	9711321008
22	Heatsink	9322420039
23	Thermistor assy	9900727079
--	Heat ex. thermistor	9900984014
--	Thermistor assy (AB)	9901025013
--	Compressor temp. thermistor	9900985035

OUTDOOR UNIT
AOYG18KBTA2

Hair pin
cushion

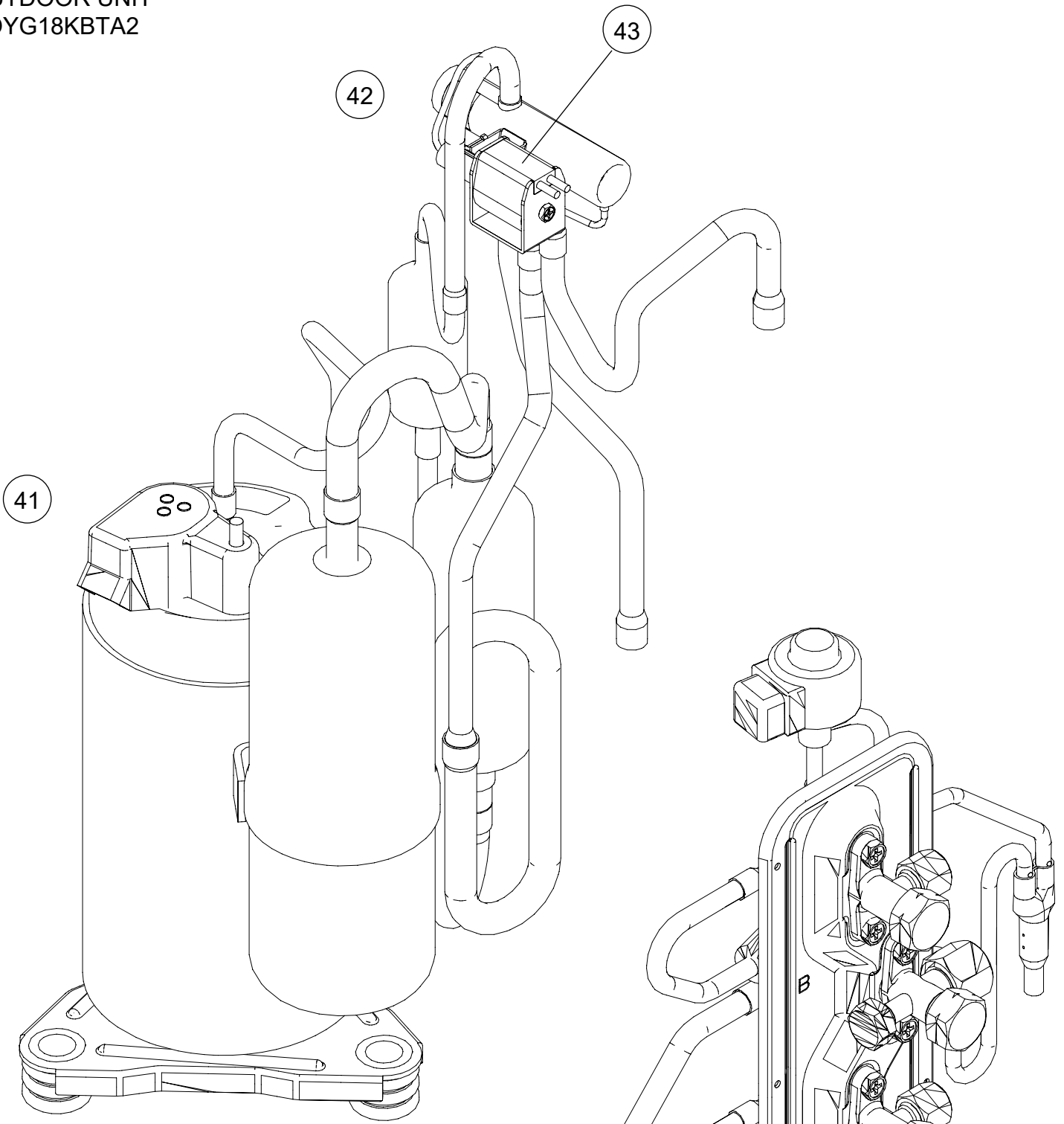


31



Ref.	Description	Part number
31	Condenser total assy	9317089708
-	S-insulator B	9322500007
-	S-insulator F	9322847010
-	S-insulator H	9322501004
-	S-insulator V	9323045002

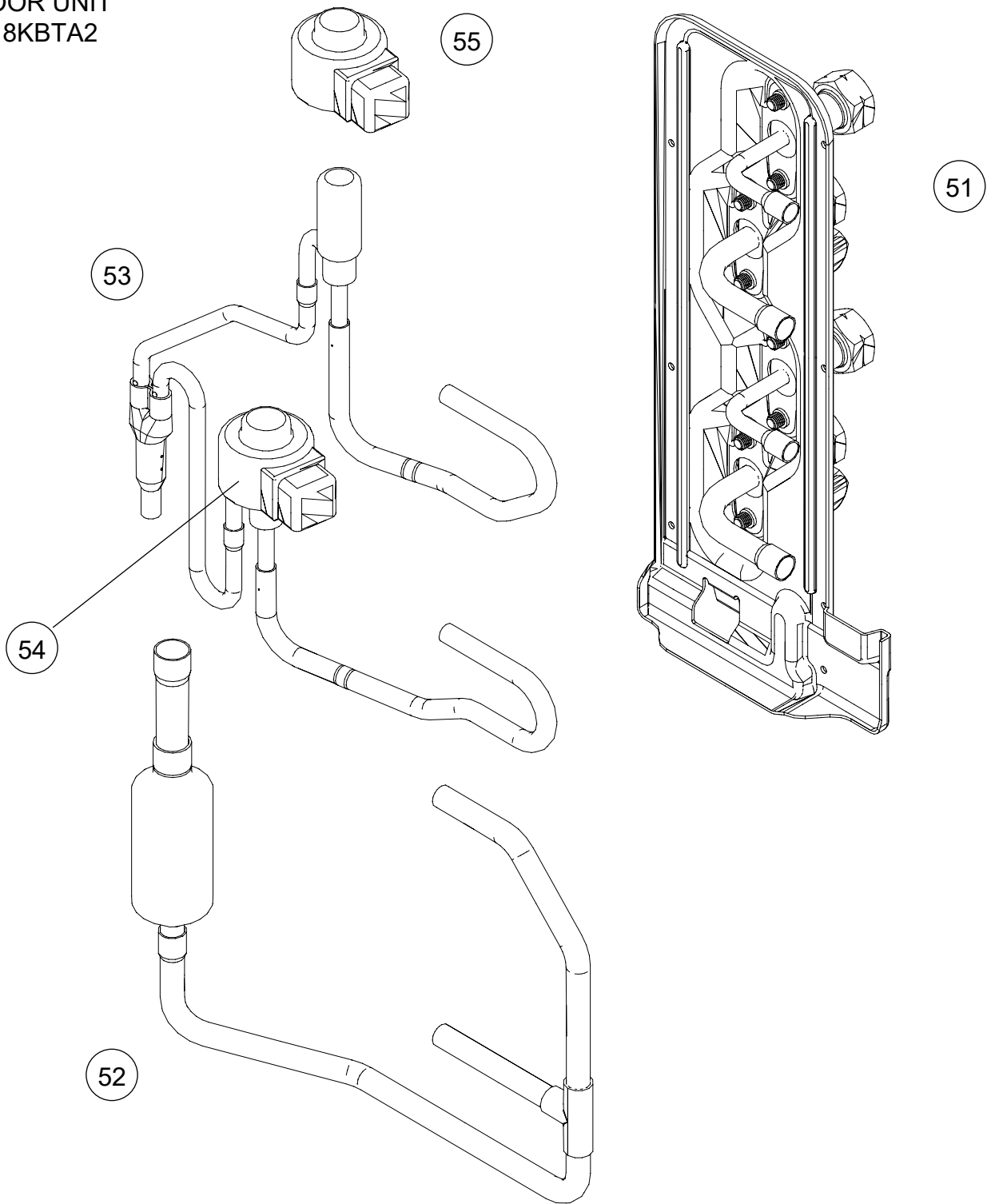
OUTDOOR UNIT
AOYG18KBTA2



Rubber
cushion

Ref.	Description	Part number
41	Compressor assy	9322433046
42	4-way valve assy	9322783011
43	Solenoid	9970206009

OUTDOOR UNIT
AOYG18KBTA2


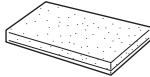
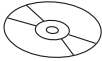


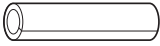
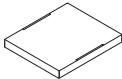
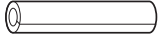




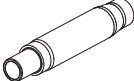


Ref.	Description	Part number
51	Valve assy	9383070006
52	Valve gas pipe assy	9382236038
53	Pulse motor valve assy	9383071003
54	Expansion valve coil (A)	9970186042
55	Expansion valve coil (B)	9970187032

Accessories (Indoor unit)


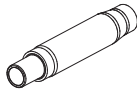
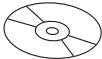



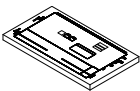


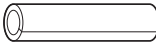
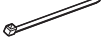
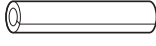
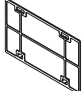

Compact cassette type

Models: AUXG07KVLA, AUXG09KVLA, AUXG12KVLA, and AUXG14KVLA

Part name	Exterior	Q'ty	Part name	Exterior	Q'ty
Operating manual		1	Drain hose insulation		1
Operating manual (CD-ROM)		1	Hose band		1
Installation manual		1	Coupler heat insulation (large)		1
Template (Carton top)		1	Coupler heat insulation (small)		1
M10 nut A (with flange)		4	Cable tie		2
M10 nut B (with spring lock washer)		4	Wire crammer		1
Drain hose		1			


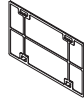
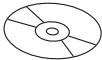
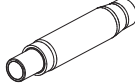


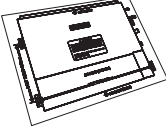


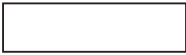

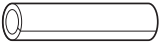

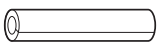
Mini duct type

Models: ARXG07KSLAP, ARXG09KSLAP, ARXG12KSLAP, and ARXG14KSLAP

Part name	Exterior	Q'ty	Part name	Exterior	Q'ty
Operating manual		1	Drain hose		1
Operating manual (CD-ROM)		1	Hose band		1
Installation manual		1	Drain hose insulation B		1
Installation template (Carton top)		1	Washer		8
Cable tie (large)		4	Coupler heat insulation (large)		1
Cable tie (medium)		3	Coupler heat insulation (small)		1
Filter (small)		2	Insulation (For electrical wiring)		2



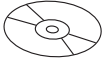
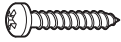



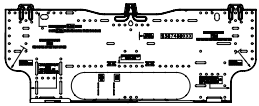
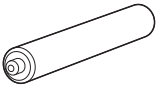


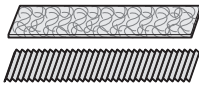
Slim duct type

Models: ARXG07KLLAP, ARXG09KLLAP, ARXG12KLLAP, and ARXG14KLLAP

Part name	Exterior	Q'ty	Part name	Exterior	Q'ty
Operating manual		1	Filter (small)		2
Operating manual (CD-ROM)		1	Drain hose		1
Installation manual		1	Hose band		1
Installation template		1	Drain hose insulation B		1
Washer		8	Insulation (for electrical wiring)		2
Cable tie (large)		4	Coupler heat insulation (large)		1
Cable tie (medium)		3	Coupler heat insulation (small)		1



Wall mounted type

Models: ASYG07-14KGTB and ASYG07-14KMTB

Part name	Exterior	Q'ty	Part name	Exterior	Q'ty
Operating manual		1	Cloth tape		1
Operating manual (CD-ROM)		1	Tapping screw (large)		5
Installation manual		1	Tapping screw (small)		2
Remote controller		1	Wall hook bracket		1
Battery		2	Filter holder		2
Remote controller holder		1	Air cleaning filters		1

Accessories (Outdoor unit)

Models: AOYG14KBTA2 and AOYG18KBTA2

Part name	Exterior	Q'ty	Part name	Exterior	Q'ty
Installation manual		1	Drain pipe		1

1905G4835