

MODEL

# SDP

PRODUCT TYPE

- Power interface card to control one ductable air treatment unit with a Ventilclima thermostat.
- Installation on din rail ( 6 modules):
  - directly on the unit
  - inside a switch board
- Power Supply:
  - 230Vca/50Hz



PRODUCT DESCRIPTION

Relay board for control one fan from a single Ventilclima control/thermostat.  
1 input for fan power supply 230Vca/50Hz;  
1 input for low-med-high speeds for control/thermostat 230Vca/50Hz;  
1 output for low-med-high speeds for fan control 230Vca/50Hz.

APPLICATION

Control of a single fan when the motor current is higher than that of the control/thermostat.

OPERATION

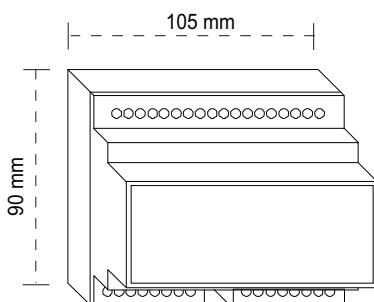
Each of the low-med-high speeds input signals coming from the control/thermostat controls a relay, which in turn powers the single speed of the fan to which it is connected.

ACCESSORIES

- None

PURCHASE CODE

APPEARANCE AND SIZE DIMENSIONING

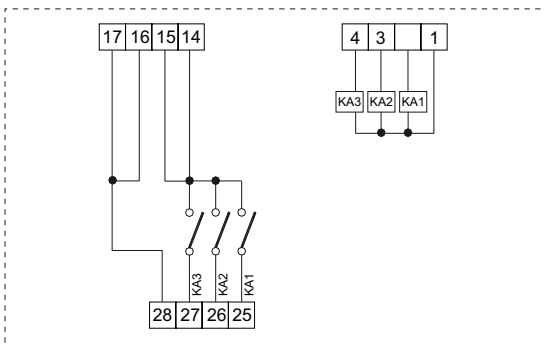


TECHNICAL DATA

**Power supply:** 230Vac  $\pm$ 10% 50Hz  
**Contact capacity:** 16 A @ 250 Vac  
**Enclosure: Material:** Technopolymer class V0  
**Size:** 105 x 90 x 70 mm (L x H x P)  
6 DIN rails

WIRING DIAGRAMS

INTERNAL



EXAMPLE OF APPLICATION

