

**INSTALLATION, USE,
MAINTENANCE MANUAL**

**AIR HYGIENIC
CENTRIFUGAL FAN COIL UNIT**

2018-1





ATTENTION!

- 1) THE FILTER MUST BE KEPT CLEAN**

- 2) CLEAN THE FILTER MAXIMUM FOR TWO TIMES AND THEN REPLACE IT.
FURTHERMORE FILTER MUST BE REPLACED WITH
A NEW ONE AT LEAST EVERY 12 MONTHS**

INDEX

INTRODUCTION	4
RECOMMENDATIONS	4
TRANSPORTATION, RECEIVING, HANDLING	4
SAFETY RULES	4
GENERAL DIMENSIONS	5
DIMENSIONAL CHARACTERISTICS	5
MAIN COMPONENTS	6
RECOMMENDATIONS FOR INSTALLATION	6
FAN COIL INSTALLATION	6
WATER CONNECTIONS	7
Connection to the water mains	7
Condensate water drainage	8
WORK LIMITS	8
ELECTRICAL CONNECTION	8
CONNECTIONS TO THE TERMINAL BOARD	8
Without control panel	8
With control panel	8
CHANGING THE MOTOR SPEED OF ROTATION	8
TESTING THE FANCOIL	8
TURNING THE COIL	8
CLEANING AND MAINTENANCE	9
WHAT TO DO IF...	12
DISMANTLING THE APPLIANCE	12

INTRODUCTION

This installation, operation and maintenance booklet should always accompany the fancoil ready consultation by the installer or user if necessary. The appliance should be installed in compliance with regulations in force in each country and according to the manufacturer's or qualified installer' instruction. The manufacturer cannot be held liable for any damage to property or injury to persons and animals caused by incorrect installation of the appliance. Only qualified persons should install the appliance and connect it to the mains electricity supply. Before carrying out any work on the appliance, ensure that it is disconnected from the electricity supply. Read this instruction booklet before installing the appliance.

RECOMMENDATIONS

The appliance is easy to use, but it is important to read this guide completely before using for the first time.

This will help you:

- use the appliance in all safety;
- obtain best performance;
- avoid errors;
- respect the environment.
- Do not allow children or unassisted handicapped persons to use the appliance.
- Do not touch the appliance with wet parts of the body or if barefoot.
- Do not tug, pull or twist electrical cables attached to the appliance, even when disconnected from the electricity supply.
- Do not open the flaps giving access to the internal parts of the appliance without having first put the system on-off switch to "off".
- Do not introduce sharp pointed objects through the air intake and outlet grilles.
- Do not leave packing material (cardboard, staples, plastic bags, etc.) within reach of children since they could be a source of danger.
- Dispose of correctly.
- Do not sit or climb on the appliance or rest any type of object on it.
- Do not spray or throw water directly on the appliance.
- Do not use the appliance in places with suspended dust/powder or in potentially explosive atmospheres, in very damp environments or in the presence of oil in suspension or in particularly aggressive atmospheres.
- Do not cover the appliance with objects or drapes that even partially obstruct the air flow.
- The appliance works by electricity at mains voltage (230 Vac, 50 Hz). Always bear in mind that mains voltage is potentially dangerous and any appliance connected to it should be used with caution. Before carrying out any work on the appliance, disconnect it from the electricity supply (by pulling out the plug from the mains socket or isolating the supply line by putting the on-off switch to off).
- If the appliance is not to be used for long periods, make sure that the controls are in the position 0 (off). If the appliance is not going to be used in winter when temperatures are near to freezing, drain the system and ensure that the appliance heat exchanger has no water in it in order to prevent the formation of ice and consequent breakage.
- To make the appliance inoperable, disconnect it totally from the electricity supply.
- It is unsafe to alter or try to alter the characteristics of this product. Any tampering or alteration renders the warranty null and void.
- In the event of malfunction or failure, do not try to repair the appliance yourself; contact a qualified technician. Repairs carried out by unqualified persons could cause damage or accidents.
- Always keep the appliance clean. In particular clean the air filter periodically (at least once a month).

FAILURE TO COMPLY WITH THE ASSEMBLY INSTRUCTIONS GIVEN IN THIS GUIDE RELIEVES THE MANUFACTURER OF ALL AND ANY LIABILITY. INCORRECT INSTALLATION COULD CAUSE MALFUNCTIONING OR FAILURE OF THE APPLIANCE. COULD ALSO REPRESENT A HAZARD FOR THE USER.

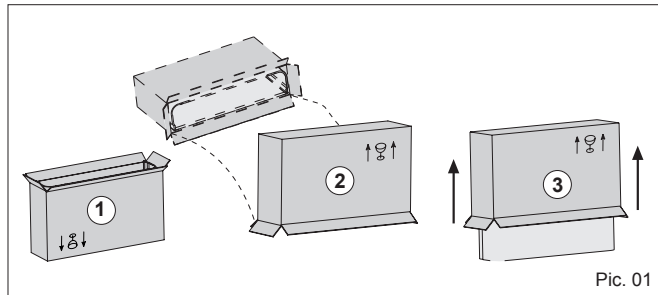
TRANSPORTATION, RECEIVING, HANDLING

The appliance is dispatched enclosed in special protective packaging, which should be kept intact until the appliance is positioned in the final place of installation.

The appliance should be handled with extreme care, always keeping it in its original packaging.

To take the appliance out of the packaging, proceed as Pic. 1:

1. Turn the fan coil box upside down and open the bottom.
2. Remove the polystyrene filling and keep it.
3. Keeping the bottom of the box open, turn the pack 180°, taking care that the contents are firmly held before resting it gently on the ground. Lift off the packaging from the appliance.



Pic. 01

SAFETY RULES



Secure packs during transportation.
Do not expose to the elements.
Do not tread on packs.



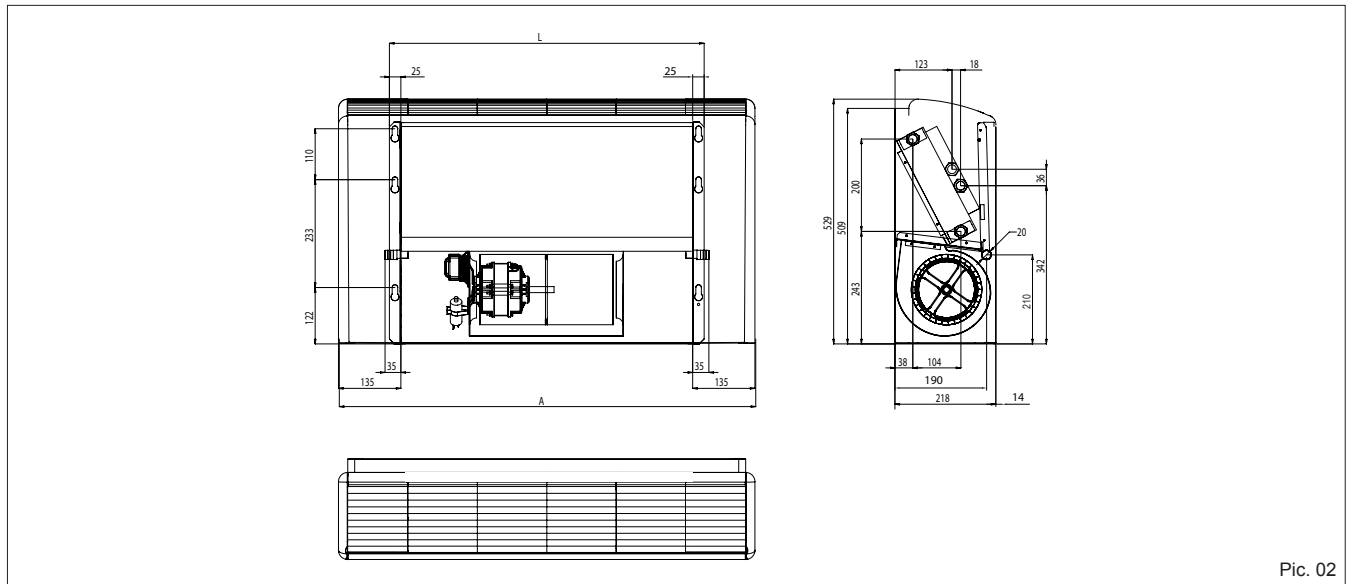
Protect hands with work gloves when dismantling the appliance.
Work in PAIRS if the appliance weighs more than 25 kg.



CAUTION!

This appliance should only be used by adults. Make sure that children do not touch the controls or play with the appliance. This appliance has been designed for use as a heating and cooling appliance in rooms that are clean and frequented by persons (with normal pollution). Avoid using for any other purpose. This appliance should not be used in places with suspended dust/powder or in potentially explosive atmospheres, in very damp environments or in the presence of oil in suspension or in particularly aggressive atmospheres.

GENERAL DIMENSIONS



Pic. 02

* NOTE: the dimensions shown are referred at system with left hydraulic connections

DIMENSIONAL CHARACTERISTICS

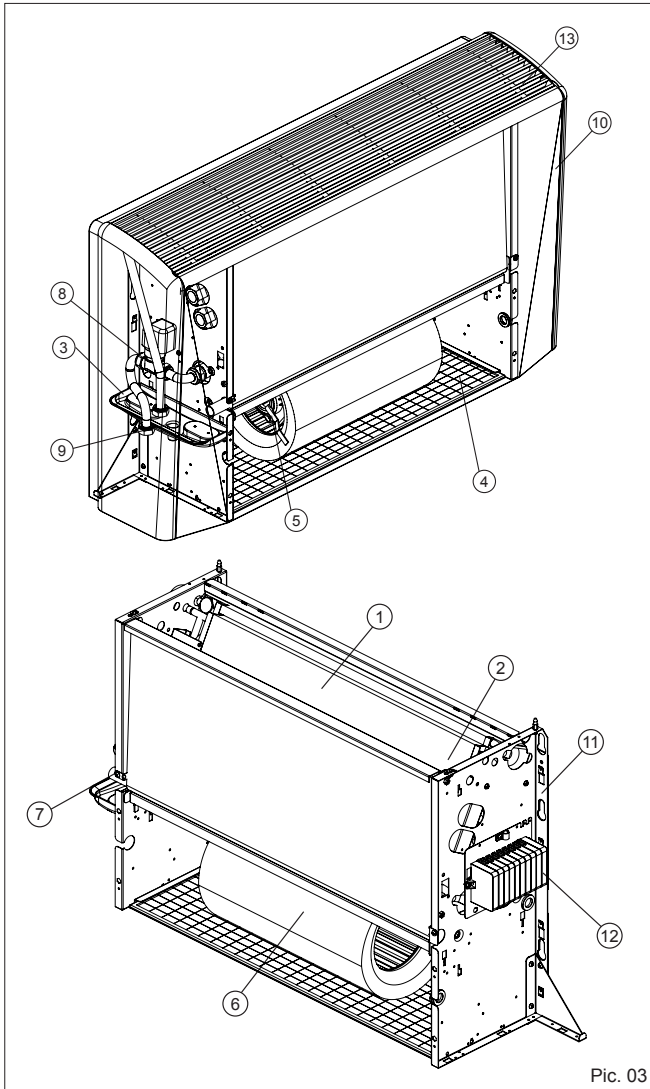
2 PIPE SYSTEM		MOD.	10	20	30	40	50	60	70	80	90	100
Coil used for cooling and heating	Fans number	n°	1	1	1	2	2	2	2	3	4	4
	Coils numbers	n°	1	1	1	1	1	1	1	1	1	1
	Rows number	n°	3	3	3	3	3	3	3	3	3	3
	Water content	litri	0,5	0,8	1,2	1,5	1,8	2,1	2,4	2,4	2,7	3,1
	Hydraulic connection (Ø Gas female)	Ø	1/2"	1/2"	1/2"	1/2"	1/2"	3/4"	3/4"	3/4"	3/4"	3/4"
General features	Unit lenght with cabinet	L (mm)	600	750	900	1050	1200	1350	1500	1500	1650	1800
	Unit lenght without cabinet	M (mm)	380	530	680	830	980	1130	1280	1280	1430	1580

4 PIPE SYSTEM		MOD.	10	20	30	40	50	60	70	80	90	100
Coil used for cooling	Fans number	n°	1	1	1	2	2	2	2	3	4	4
	Coils numbers	n°	2	2	2	2	2	2	2	2	2	2
	Rows number	n°	3	3	3	3	3	3	3	3	3	3
	Water content	litri	0,5	0,8	1,2	1,5	1,8	2,1	2,4	2,4	2,7	3,1
	Hydraulic connection (Ø Gas female)	Ø	1/2"	1/2"	1/2"	1/2"	1/2"	3/4"	3/4"	3/4"	3/4"	3/4"
Coil used for heating	N. rows	n°	1	1	1	1	1	1	1	1	1	1
	Water content	litri	0,1	0,2	0,3	0,4	0,5	0,6	0,6	0,6	0,7	0,8
	Hydraulic connection (Ø Gas female)	Ø	1/2"	1/2"	1/2"	1/2"	1/2"	1/2"	1/2"	1/2"	1/2"	1/2"
General features	Unit lenght with cabinet	L (mm)	600	750	900	1050	1200	1350	1500	1500	1650	1800
	Unit lenght without cabinet	M (mm)	380	530	680	830	980	1130	1280	1280	1430	1580

2 PIPE SYSTEM		MOD.	10	20	30	40	50	60	70	80	90	100
Coil used for cooling and heating	Fans number	n°	1	1	1	2	2	2	2	3	4	4
	Coils numbers	n°	1	1	1	1	1	1	1	1	1	1
	Rows number	n°	4	4	4	4	4	4	4	4	4	4
	Water content	litri	0,7	1,1	1,6	2,0	2,4	2,8	3,2	3,2	3,7	4,1
	Hydraulic connection (Ø Gas female)	Ø	1/2"	1/2"	1/2"	3/4"	3/4"	3/4"	3/4"	3/4"	3/4"	3/4"
General features	Unit lenght with cabinet	L (mm)	600	750	900	1050	1200	1350	1500	1500	1650	1800
	Unit lenght without cabinet	M (mm)	380	530	680	830	980	1130	1280	1280	1430	1580

Power supply: 230V / 1ph / 50Hz ± 10%

MAIN COMPONENTS



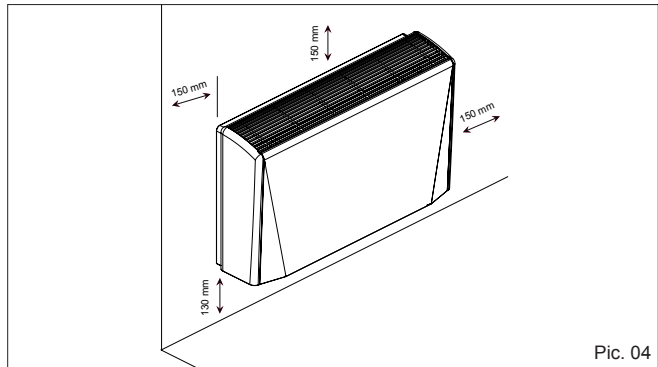
Pic. 03

1	Heat exchanger	8	Valves
2	Water low temperature sensor	9	Auxiliary drain pan
3	Drain pan	10	Cabinet
4	Air filter	11	Bearing structure
5	Electric motor	12	Terminal board
6	Centrifugal fan	13	Supply grills
7	Condense discharge		

RECOMMENDATIONS FOR INSTALLATION

Before installing the appliance, ensure that:

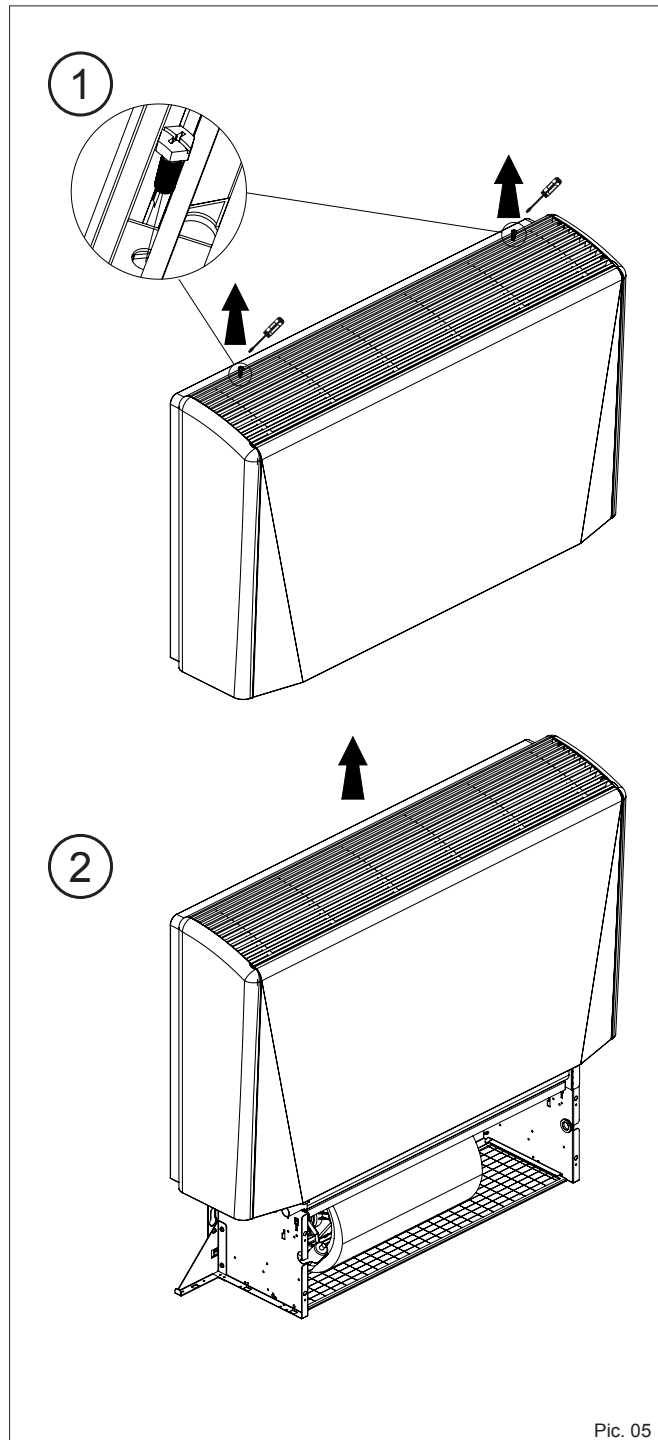
- 1) the place of installation has sufficient space for carrying out installation as well as routine and extraordinary maintenance work (see Pic. 4).
- 2) There are no obstructions for air intake and delivery.
- 3) The water connections are of the sizes, in the position and spaced apart as required by the appliance (see Dimension).
- 4) The system pressure does not exceed 8 bar for the water versions.
- 5) The electricity supply corresponds to the data on the appliance rating plate and that there is a safety switch readily accessible to the user to cut off the power supply whenever necessary.
- 6) The safety switch is in the OFF position so that there is no voltage on the appliance supply line.



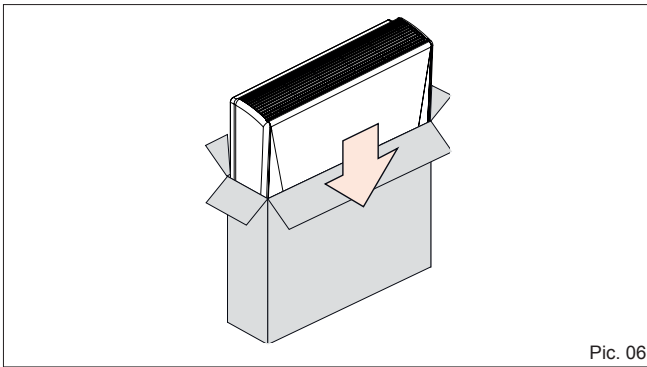
Pic. 04

FAN COIL INSTALLATION

Before installing the appliance, remove the cabinet, if present (Pic.5) and put it in the packing box to prevent it from being soiled or damaged. (Pic.6)

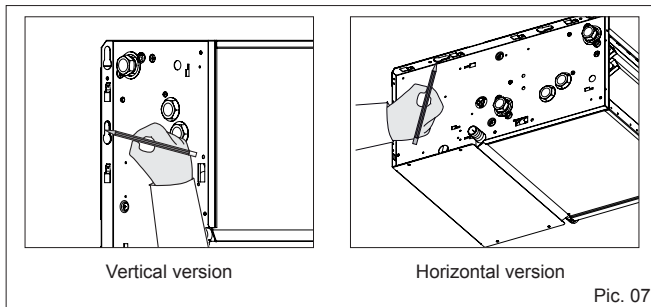


Pic. 05



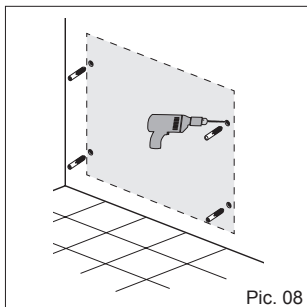
Pic. 06

Offer the appliance up to the required point of installation and mark, through the fixing holes, the points on the wall where the holes should be drilled for the 4 screw anchors, as shown in Pic. 7.

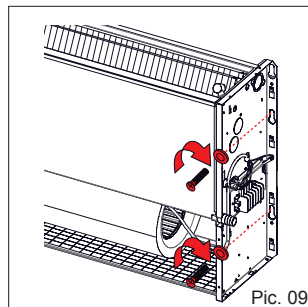


Pic. 07

Remove the appliance from the point of installation, drill the holes where marked on the wall (see Pic. 8) and insert the screw anchors. Place the appliance against the wall and fix it by tightening the screws into the anchors see (Pic. 9).



Pic. 08



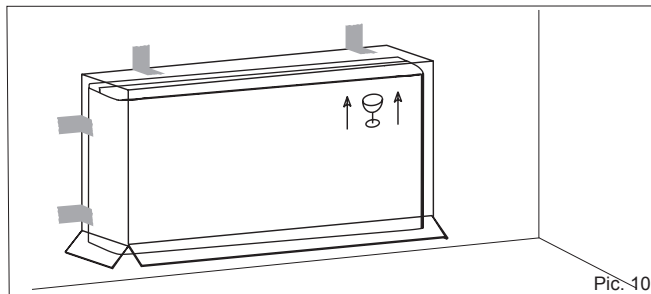
Pic. 09

Carry out the water and electrical connections as described in the relevant paragraphs.

Replace the housing using the opposite procedure to take off the cabinet (Pic. 05)

The cabinet is covered by a protective film: remove it before fixing it to the unit. Replace the cabinet (if fitted), otherwise the appliance must be masked by the customer.

WARNING! Protect the appliance with a cardboard if the building works of the building are still to be closed (Pic 10). Remember to remove the protective cardboard before starting the equipment.



Pic. 10

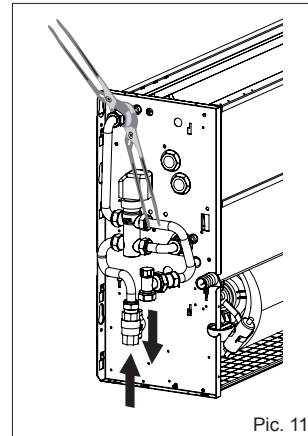
WATER CONNECTIONS

CONNECTION TO THE WATER MAINS

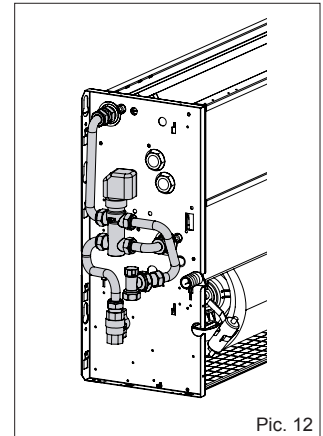
CAUTION! Always use a wrench and nose key for connection of the coil to the pipes (Pic. 11). If the solenoid valve is installed, suitably insulate the valve body with insulating material (Pic. 12).

Connect the water inlet and outlet pipes, observing the indications given on the side of the appliance. Correctly insulate the water supply pipes to prevent dripping during the cooling mode of operation. A shutoff valve should be inserted on the water supply pipe and balancing valve on the outlet pipe. The valve body and balancing valve should also be properly insulated to prevent dripping. It is the installer's responsibility to insulate properly and the manufacturer cannot be held liable for any insulation work.

NOTE: it is always advisable to install the solenoid valve. In the heating mode of operation the solenoid valve reduces consumption because upon reaching the set temperature the circulation of water is stopped to avoid wasting energy (the fan coil would otherwise continue to heat like a radiator, even with the motor at a standstill). In the cooling mode of operation the solenoid valve stops the circulation of water when the set temperature is reached, this stopping the internal exchanger from continuing to condense water with possible undesirable dripping into the floor. It also reduces chiller operation with consequent energy saving.



Pic. 11

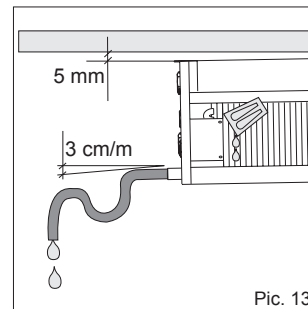


Pic. 12

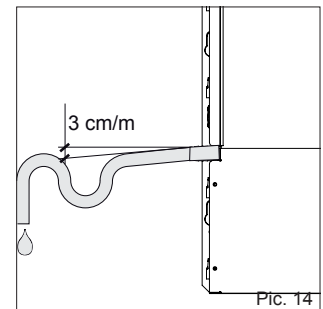
CONDENSATE WATER DRAINAGE

The condensate drain pipe should slope downwards by at least 3 cm/m and should not have ascending or throttled section in order to ensure a regular flow of water. It is advisable for a trap to be fitted. The condensate drain pipe should be connected to a rainwater drainage system. Do not use sewage system to avoid possible odours in the event of evaporation of the water in the trap. Upon completion of work, check that the condensate flows out properly by pouring water into the tray (see Pic. 13 and 14). The condensate water drainage system should be fabricated

in a workmanlike manner and should be periodically checked. The manufacturer cannot be held liable for any damage caused by dripping in the absence of a solenoid valve or of periodic maintenance of the drainage system.



Pic. 13



Pic. 14

WORK LIMITS

SUMMER (COOLING)

Minimum inlet water temperature	+4°C
Maximum operating pressure	8 bar
Maximum room air temperature	+35°C
Maximum room air humidity	80%

WINTER (HEATING)

Maximum inlet water temperature	+80°C
Maximum operating pressure	8 bar
Minimum room air temperature	+4°C
Maximum room air humidity	80%
Maximum room air temperature	+35°C

THE UNITS HAVE THE FOLLOWING OPERATING LIMITS:

- IT CAN'T BE INSTALLED IN AREAS WITH ANOMALOUS HEAT AND HUMIDITY CONDITIONS;
- IT CAN'T BE INSTALLED OUTDOORS;
- IT CAN'T BE INSTALLED IN EXPLOSIVE ENVIRONMENTS;
- IT CAN'T BE INSTALLED IN A CORROSIVE ATMOSPHERE.

ELECTRICAL CONNECTIONS

RECOMMENDATIONS!

Before carrying out electrical connections, ensure that the electricity supply to the supply line has been cut off, checking that the on-off switch is in the OFF position. Only qualified electricians should carry out the electrical connections. Check that the mains supply is single-phase 230 Vac/1/50 Hz (± 10%).

Operating the appliance with voltages outside the above limits could cause malfunction and renders the warranty null and void.

The fan coil power supply line should be fitted with at least a switch isolator in conformity with European standard EN60947-3. Make sure that the electrical system is suitable for providing not only the working current required by the appliance, but also the necessary current for powering household and other electrical appliances already in use.

Any electrical and mechanical alterations or tampering render the warranty null and void. The motor and accessories power cables in channels or ducts should remain inside the same until they are inside the appliances.

The cables should be sufficiently long so that they are not permanently taut or create throttling or pressure on metal parts (see Pic. 16). The power cables should be sufficiently long so that in the event of accidental tugging the active wires are subjected to stress before the earth wire. Connect the earth wire to the relative terminal marked with the symbol \perp .

Check the earth connection. Comply with the safety regulations in force in the country of installation.

CONNECTIONS TO THE TERMINAL BOARD

WITHOUT CONTROL PANEL

The electrical connections should be made to the terminal board on the side of the appliance.

Each terminal is identified by the label to be found on the terminal board.

WITH CONTROL PANEL

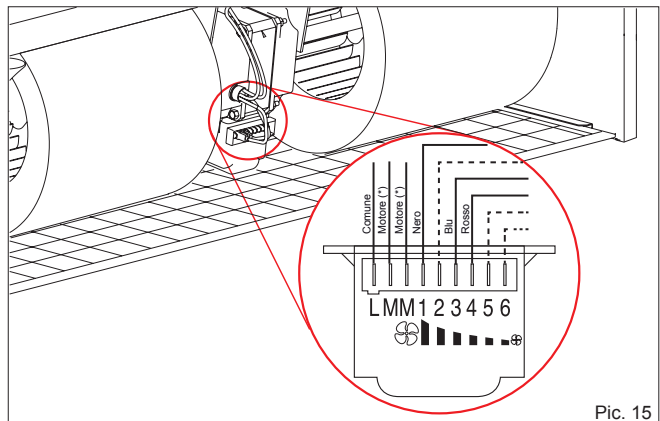
The electrical connections should be made directly to the control panel, as shown by the relative wiring diagram. If the control panel has an electronic temperature sensor (NTC) this sensor will be powered by mains voltage (230Vac/1/50 Hz) and is therefore provided with double insulation.

CAUTION: FAILURE TO COMPLY WITH THE INDICATED CONNECTIONS MAY CAUSE MOTOR BURNOUT!

CHANGING THE MOTOR SPEED OF ROTATION (STANDARD MOTOR ONLY)

The fan coil motor has 6 speed settings, 3 of which are connected in the factory (red, blue and black wires connected to the motor auto-transformer). To use other speeds than those wired up in the factory, the red (minimum), blue (medium) and black (maximum) wires may be connected onto 3 of the 6 numbered terminals (1...6), taking into account that the speeds follow a sequence as shown in Pic. 15.

*** CAUTION!**
UNDER NO CIRCUMSTANCES SHOULD THE CONNECTIONS TO THE TERMINALS L, M, M BE CHANGED!



TESTING THE FANCOIL

Upon completion of installation, scrupulously check both the water and the electrical connections before switching on the appliance.

Before mounting the housing (if present), fill the system, bring it up to pressure and bleed. Make the water circulate and check for leaks.

Check correct operation of the fan coil at the 3 speeds, of the solenoid valves and of the minimum temperature thermostat (if installed).

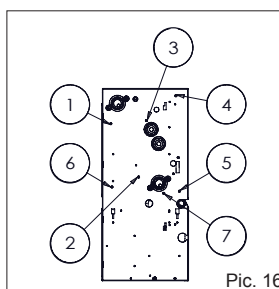
TURNING THE COIL

CAUTION!

The fan may reach the speed of 1,000 rpm. Do not insert objects or hands into the electric fan. The motor becomes hot during operation; wait for it to cool before touching it. During the heating mode of operation the exchanger and the connecting pipes may become very hot (80°C).

Wait for the exchanger to cool before touching it or protect hands with suitable gloves. The heat exchange water coils are suitable for working up to a maximum pressure of 8 bar.

To turn the coil, proceed as follows:

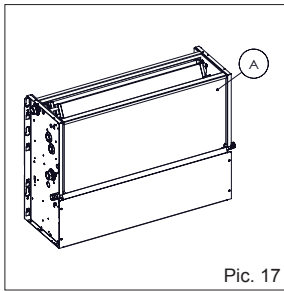


A) Remove the housing (if present).

B) Remove indicate screws in picture:

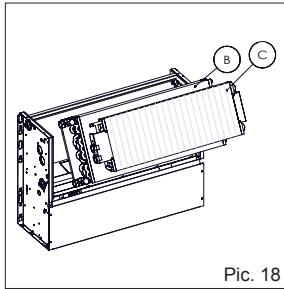
- 1,2: standard coil screws;
- 3: auxiliary coil screws;
- 4,5: main drain pan screws;
- 6,7: motor screws.

C) Disconnect the terminal block or the control panel (2), if present, from the side of the appliance;



D) Take out drain pan (A).

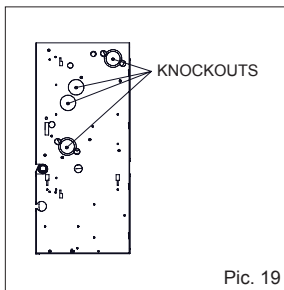
Pic. 17



E) Take out auxiliary coil (C), if present, and standard coil (B).

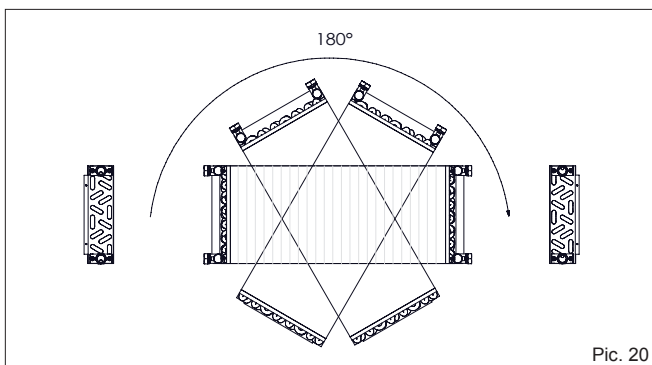
Prestare attenzione a non tagliarsi con le alette e a non danneggiarle.

Pic. 18



F) Remove the knockouts (6) on the opposite side of the fan coil (using a screwdriver), to allow the coil connections to pass through.

Pic. 19



Pic. 20

G) Position the coil, turning it of 180°, so that the fittings are in line with the holes left by the knockouts. Fix the coil using the previously removed screws.

H) Shift the control panel, if present, or the terminal block (fixing it to the side opposite the water fittings), the motor and sensor cables, if present, fixing them with their grips. Ensure that the cables pass through the hole in the side of the appliance, protecting them with the relative grommet. If it proves easier to carry out this operation by separating the wires from the terminal blocks, mark the positions of the wires to avoid making mistakes when reconnecting.

I) Reconnect the wires to the relative terminal blocks or control panel, taking care that they are correctly positioned.

L) Reassemble the components previously removed and follow the steps A, B, C, D, E, on the contrary.

ATTENTION:

Copper fittings for valve are different between right and left installation.

If hydraulic connections have to be modified on site, it's necessary to order the correct installation kit.

CLEANING AND MAINTENANCE



ATTENTION!

- 1) THE FILTER MUST BE KEPT CLEAN
- 2) CLEAN THE FILTER MAXIMUM FOR TWO TIMES AND THEN REPLACE IT. FURTHER FILTER MUST BE REPLACED WITH A NEW ONE AT LEAST **EVERY 12 MONTHS**

CAUTION! Before carrying out any cleaning or maintenance work, disconnect the appliance from the mains electricity supply!

ORDINARY MAINTENANCE

For standard use of the unit in normal condition we recommend:

- to clean the housing;
- to clean the coil;
- to clean the drain fitting (check the normal condensate flow).

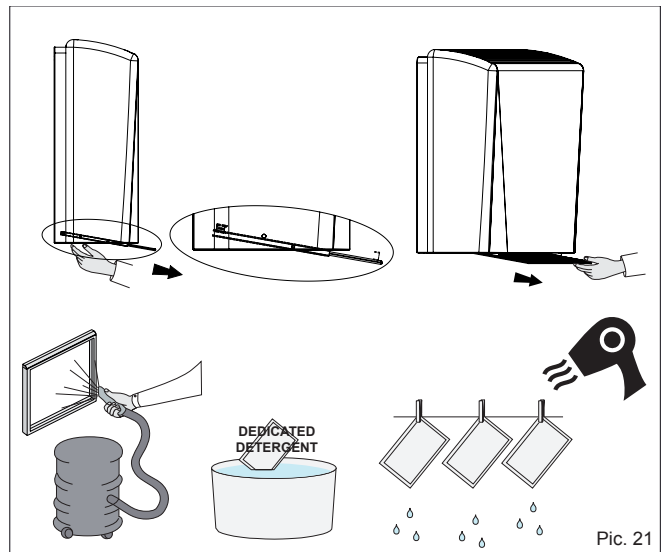
CLEANING THE AIR FILTER

The appliance is fitted with an air filter on the fan inlet. During normal operation the filter withholds impurities in the air.

The filter should be cleaned periodically to keep its filtering properties and the airflow to the fan unchanged. It is advisable to clean the filter as follows:

1. Take out the filter.
2. Place the filter on a flat, dry surface and remove the accumulated dust with a vacuum cleaner.
3. Wash the filter with dedicated detergent approved for hygienic applications (no solvents).
4. Replace the filter when it is perfectly dry only.

CLEAN THE FILTER MAXIMUM FOR TWO TIMES AND THEN REPLACE IT. FURTHER FILTER MUST BE REPLACED WITH A NEW ONE AT LEAST EVERY 12 MONTHS



Pic. 21

NOTE

The procedure for ceiling-mounted horizontal version is the same.

To perform all the steps shown, wear the individual protective devices: protective glasses, masks and anti-cut gloves.



It is advisable to have the cleaning operations carried out by suitably trained personnel.

The disinfection to personnel in charge and appropriately prepared and equipped with specific requirements.

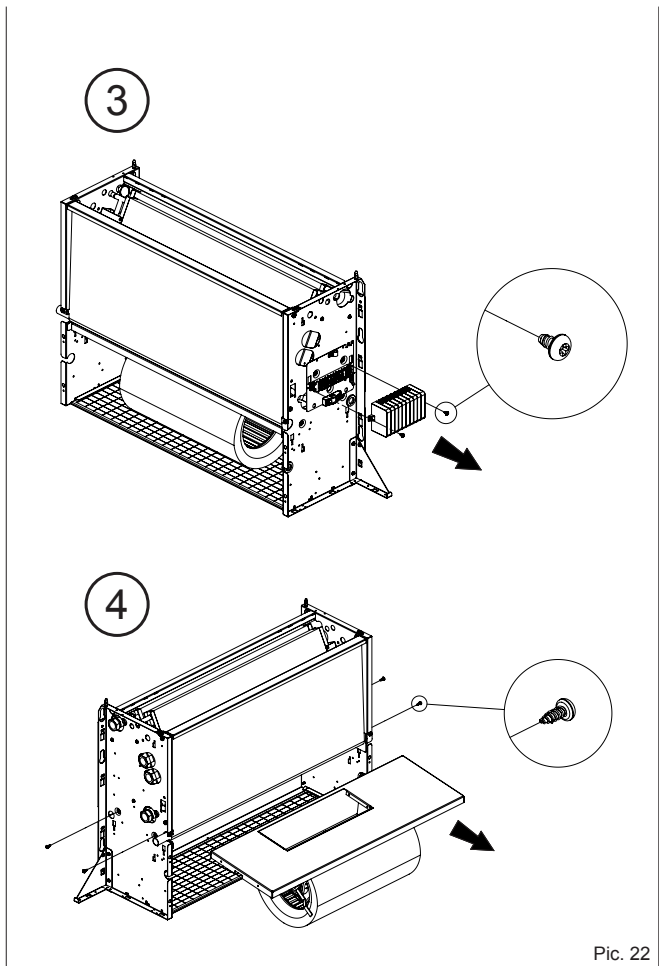
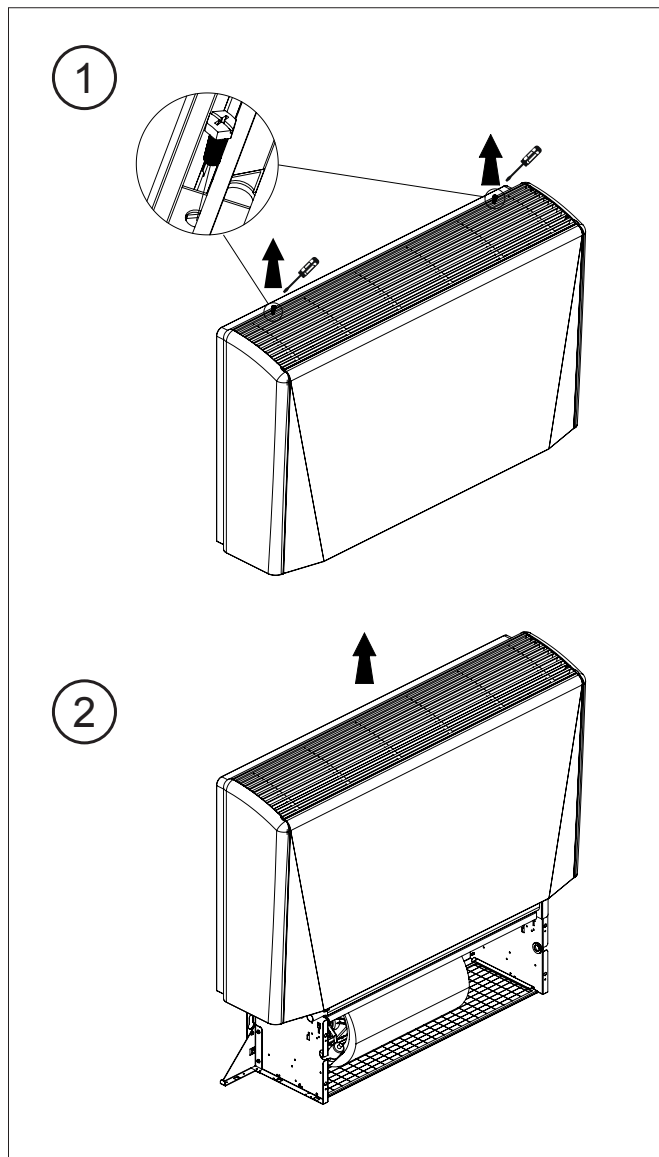
REMOVE THE MOTOR PLATE (STEP #1)

Caution Before performing any work on the unit, make sure that the unit is not powered. It is important to be aware that there is a risk of injury due to the rotation of the impeller. Make sure the unit is properly secured against the next start using a device placed on site.

Remove the protective cover of the terminal board. Disconnect the power cables and the (last) ground line of the motor. Remove the cable by passing it through the cable gland positioned on the shoulder.

Remove the 2 + 2 screws on the side of the machine with the help of a screwdriver (2 on the right and 2 on the left as shown in the figure). Hold the engine during operation. Remove the motor in drawer mode (see Pic. 22). Clean it using a cotton cloth and a ph acid detergent (it is advisable either to blow it carefully in an open environment or to vacuum the deposited powders before cleaning it).

Reassemble the engine and fasten it to the machine frame. Pass the power cable through the fairlead and connect the terminals in the same position. Replace the terminal board and reposition the terminal block cover. Before feeding, make sure that the motor impeller is free to turn freely.



Pic. 22

REMOVE THE DRAIN PAN (STEP #2)

CAUTION

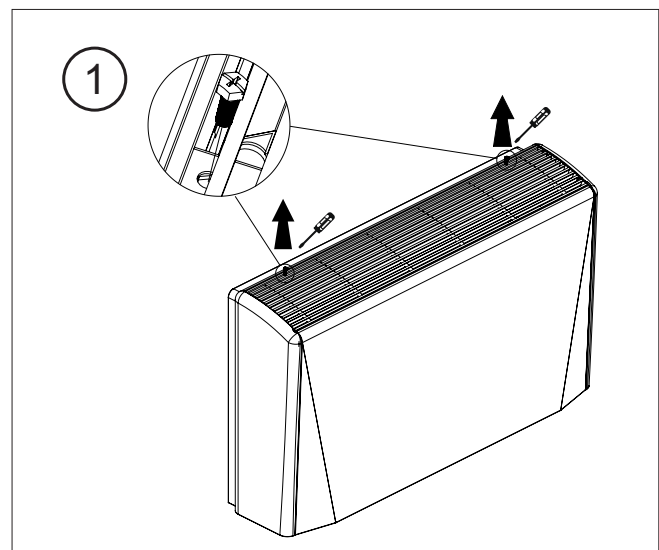
Removing the condensate drain pan connection will make it easier to remove the pan.

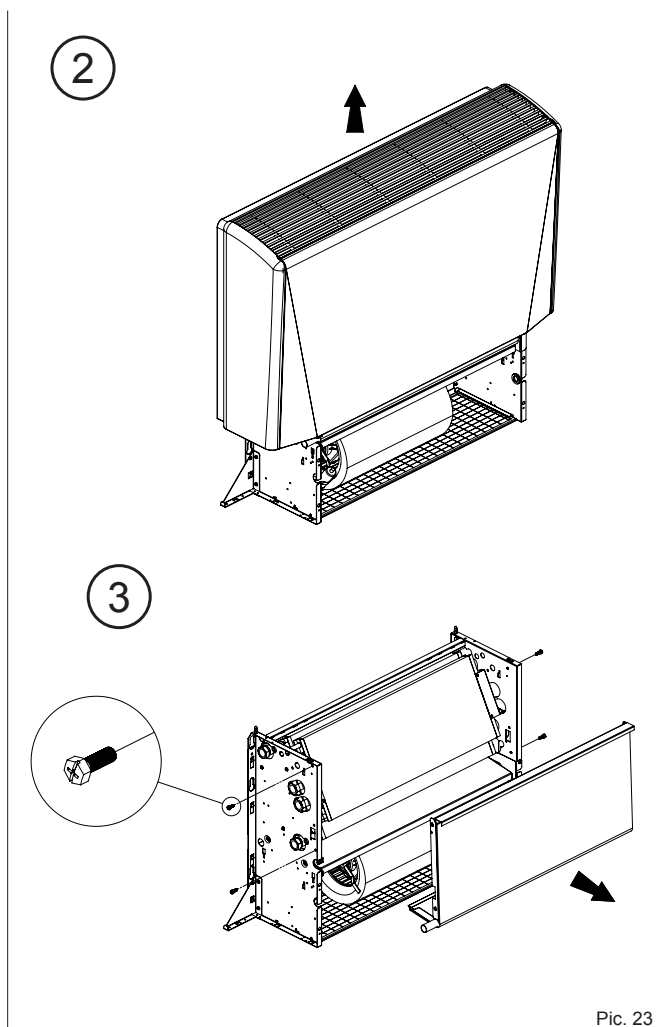
Remove the 2 + 2 screws on the side of the machine with the aid of a screwdriver (2 on the right and 2 on the left as shown in the Pic. 23)

Remove the condensate drain pan by turning it slightly forward (P1) and pulling it (P2). In the operation, pay the utmost attention not to damage the insulating material.

Clean the underlying part of the exchanger that is part of the motor plate; eliminate any traces of dust or deposits. Help with the operation with a cotton cloth and an acidic ph detergent. If necessary, use a brush with metal brushes to remove any deposits in the fold edges and corners.

Reassemble the condensate drain pan and at the end of the operation verify the restoration of the functionality.





Pic. 23

REMOVE THE HEAT EXCHANGER (STEP #3)**CAUTION**

To remove the exchanger, disconnect the unit from the hydraulic line. To facilitate this operation, the installation of shut-off valves is always recommended.

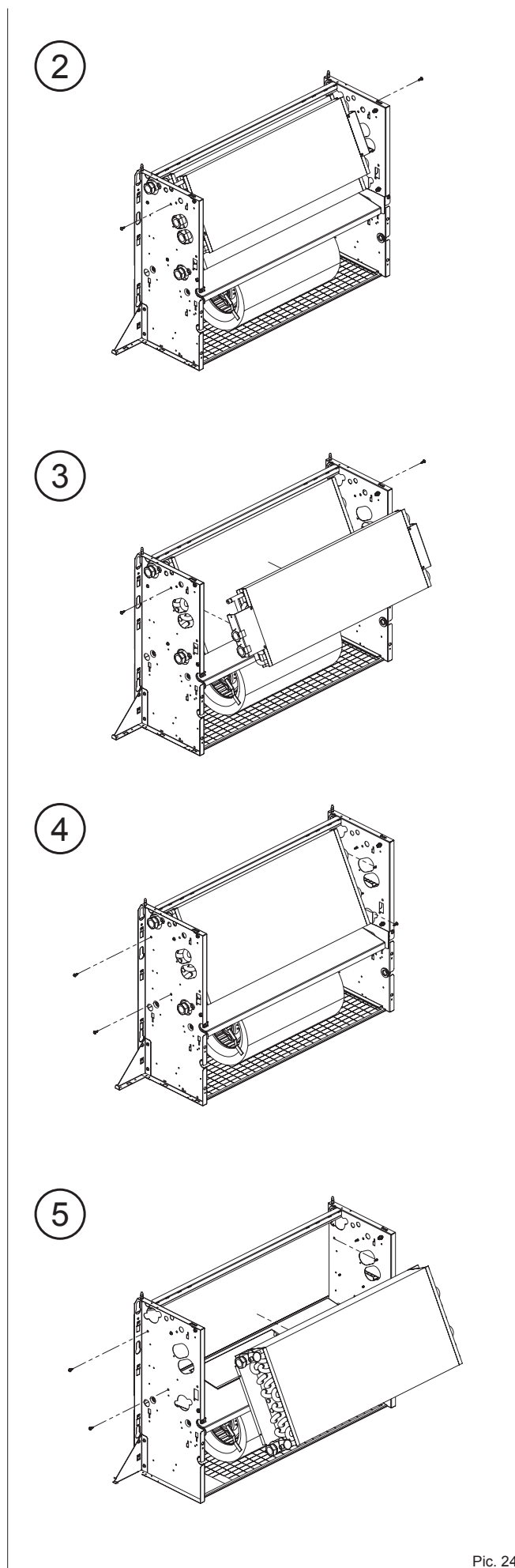
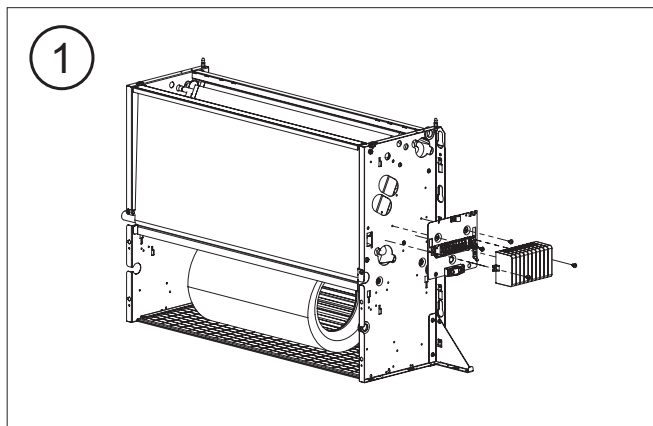
Remove the terminal board to access the heat exchanger fixing screws.

Remove the 2 + 2 screws on the side of the machine with the aid of a screwdriver (2 on the right and 2 on the left as shown in the Pic. 24) screws that secure the frame of the exchanger to the shoulder. Extract the exchanger by making a slight rotation of the same on the opposite side of the joints.

Remove the exchanger and clean it (it is advisable to blow it carefully in an open environment or to vacuum the deposited powders before cleaning it). Handle the exchanger very carefully to avoid damaging it and compromising the exchange efficiency and therefore the capacity.

Reassemble the exchanger and before installing the screws, insert the condensate drain pan.

Fix the exchanger screws.



Pic. 24

PEST CONTROL PHASE

For the total disinfection of the unit, remove the motor complete with plate as described in "STEP #1".

Remove the pan as described in "STEP #2".

Remove the exchanger as described in "STEP #3".

CLEAN THE PARTS IN DIRECT CONTACT WITH THE AIRFLOW

Use a detergent with acid pH to remove any calcareous deposits, while the use of an alkaline pH detergent is recommended if there are greasy areas of dust or oil.

CLEANING PHASE AND FILTER REPLACEMENT

Filter cleaning; extract the filter and blow it carefully in an open environment or aspirate the deposited powders.

Clean the filter thoroughly, dry it.

Disinfect it, dry it and install it.

Thoroughly clean the tracks (binari di alloggiamento)

The filter can be cleaned a maximum of two times, after which it is recommended to replace the filter.

Replace the filter and carefully clean the housing seats of the same every six weeks after starting up the appliance.

Record the operations carried out with relative intervention dates and the name of the operator in the appropriate register.

DISMANTLING THE APPLIANCE

This appliance is made to last for many years. Qualified personnel are needed to dismantle it in all safety. The first operation to be carried out before dismantling the appliance is to disconnect it totally from the electricity supply.

This appliance has been made using recyclable materials (copper, aluminium, brass, plastic) assembled by screws and push-fits to make separation of the parts easy.

Contact a firm specialised in differentiated waste disposal; it is the only way to be certain of correct recycling and thereby contribute to protection of the environment.

WHAT TO DO IF...

The fan does not work

Possible cause: power failure

Possible remedy: check the on/off switch

Possible cause: switch in position "0"

Possible remedy: change position on the control panel

Possible cause: water in the system not hot enough

Possible remedy: check that the outlet temperature is above 40°C

Little outflowing air

Possible cause: clogged filter

Possible remedy: clean the filter

The appliance does not heat

Possible cause: no hot water in the system

Possible remedy: check that the boiler and circulating pump are working

Possible cause: Incorrectly positioned hot/cold switch

Possible remedy: check that the switch is on ☀ for heating and ☁ for cooling.

The appliance does not cool

Possible cause: no cold water in the system

Possible remedy: check that the chiller and the circulating pump are working

The appliance heat/cool very little

Possible cause: incorrectly regulated thermostat

Possible remedy: turn the thermostat knob (if installed) left/right

Possible cause: air in the pipes

Possible remedy: bleed by loosening the valve at the heat exchanger inlet

Water on the floor during cooling

Possible cause: blocked condensate drain

Possible remedy: switch off the appliance and contact the installer to check condensate drainage

A blank sheet of lined paper with horizontal ruling lines spaced evenly down the page.

A blank sheet of lined paper with horizontal ruling lines spaced evenly down the page.



With the perspective of improvement, and against the continuous action of research and development, the Manufacturer might modify, even without any prior notice, the given technical data.