

HTRT10A(-D)

Humidity and temperature transmitters



A range of room transmitters for measuring humidity and temperature in indoor environments.

- ✓ Analogue output signal
- ✓ Temperature sensors, 0...10 V DC referring to 0...50°C and PT1000 class DIN B
- ✓ Output signal humidity, 0...10 V DC referring to 0...100 % RH
- ✓ Humidity, 10...90 % RH
- ✓ Temperature, 0...50°C
- ✓ Good long-term stability

Function

Transmitters intended for wall mounting in HVAC systems.

Temperature sensors

The unit has built-in 0...10 V and PT1000 temperature sensors, working range 0...50°C.

Note! The PT1000 sensor is not compensated for internal warm-up. The passive temperature output must be calibrated with a controller.

Relative humidity

The transmitters have a capacitive thin-film element that provides a 0...10 V signal proportional to the relative humidity in the range 0...100 % RH.

The measuring element responds quickly to changes in humidity and has excellent long-term stability.

Supply voltage

The transmitter uses a supply voltage of 24 V AC \pm 10 % or 15...35 V DC. It automatically detects and adapts to the supply voltage connected.

Display (-D models)

Display models have an LCD display showing temperature and humidity in an alternating series.

Technical data

Output signal	Analogue
Supply voltage (UV)	24 V AC $\pm 10\%$ or 15...35 V DC
Power consumption	< 1 W
Transformer power	2 VA
Electrical connection	Screw terminals max. 1.5 mm ² (AWG 16)
Storage temperature	-25...+60°C
Operating temperature	0...50°C
Ambient humidity	10...90 % RH non-condensing
Protection class	IP30
Dimensions (WxHxD)	85 x 100 x 30.5 mm
Colour	Signal white RAL 9003

Technical data, humidity sensor

Humidity sensor	Capacitive
Analogue output 0...100 % RH	0...10 V, IL ≤ 1 mA
Working range	10...90 % RH
Accuracy at 20°C	$\pm 3\%$ RH

Technical data, temperature sensor I...10 V

Analogue output 0...50°C	0...10 V DC, IL ≤ 1 mA
Working range	0...50°C
Accuracy at 20°C	$\pm 0.4^\circ\text{C}$

Technical data, temperature sensor PT1000

Output signal temperature	PT1000 class DIN B
Working range	0...50°C
Accuracy at 20°C	$\pm 0.3^\circ\text{C}$

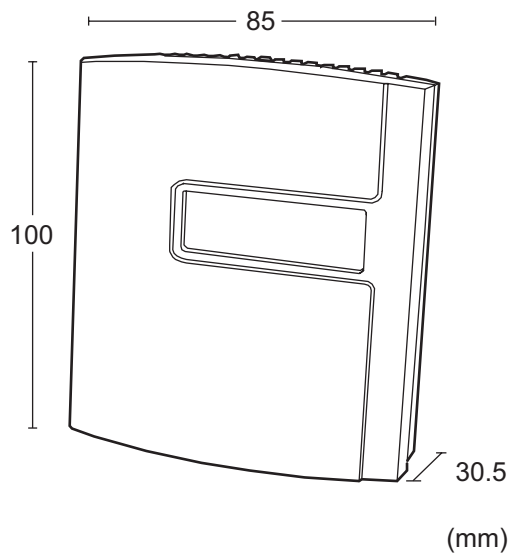
Models

Article	Description
HTRT10A	Humidity and temperature transmitter
HTRT10A-D	Humidity and temperature transmitter with display

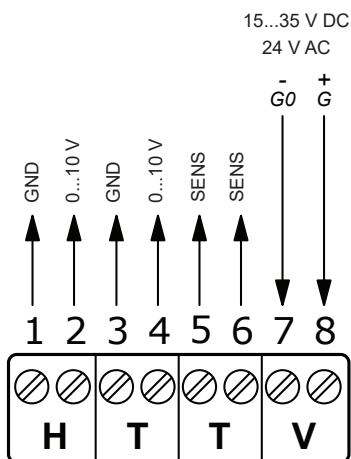
CE

This product carries the CE mark. For more information, see www.regincontrols.com.

Dimensions



Wiring



GND and G0 are internally connected.

Product documentation

The product documentation can be downloaded from www.regincontrols.com