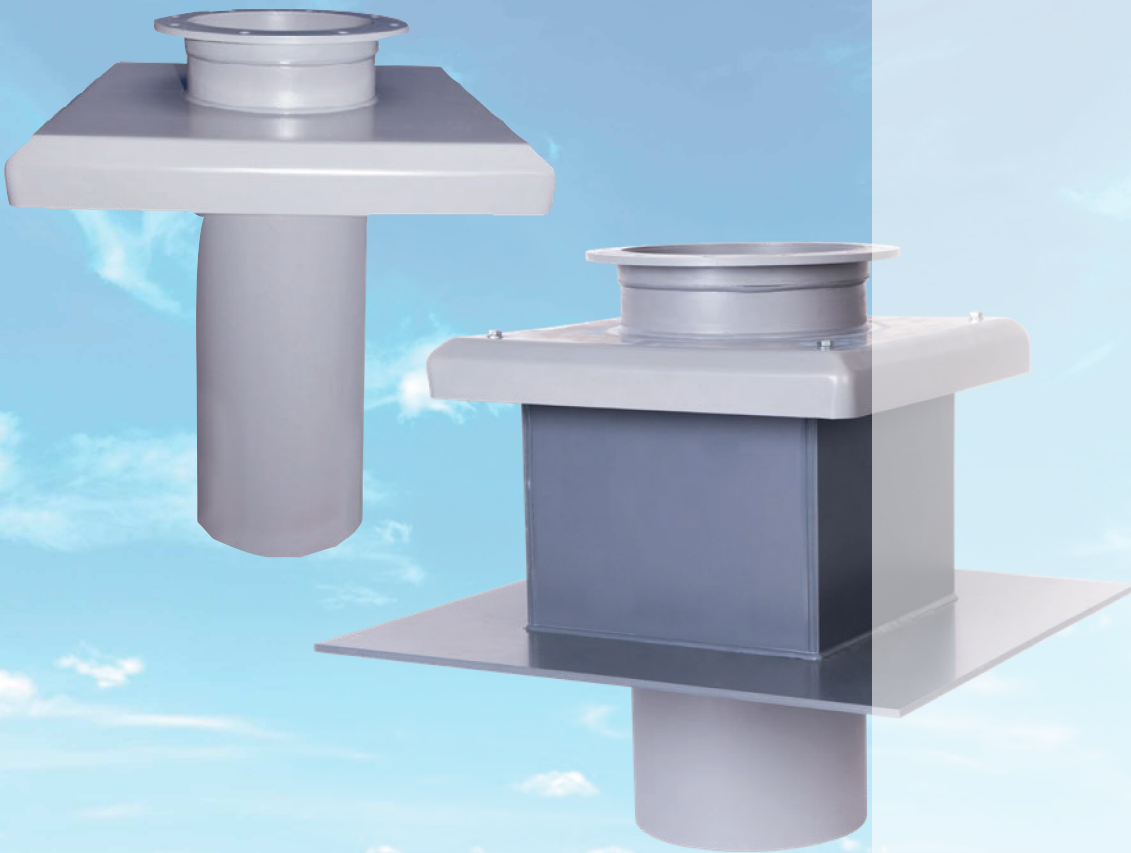


Roof mounting



Type series
HF - DA1
and
HF - DA2



Roof mounting for on-site
roof attachment base for
HF - roof fans



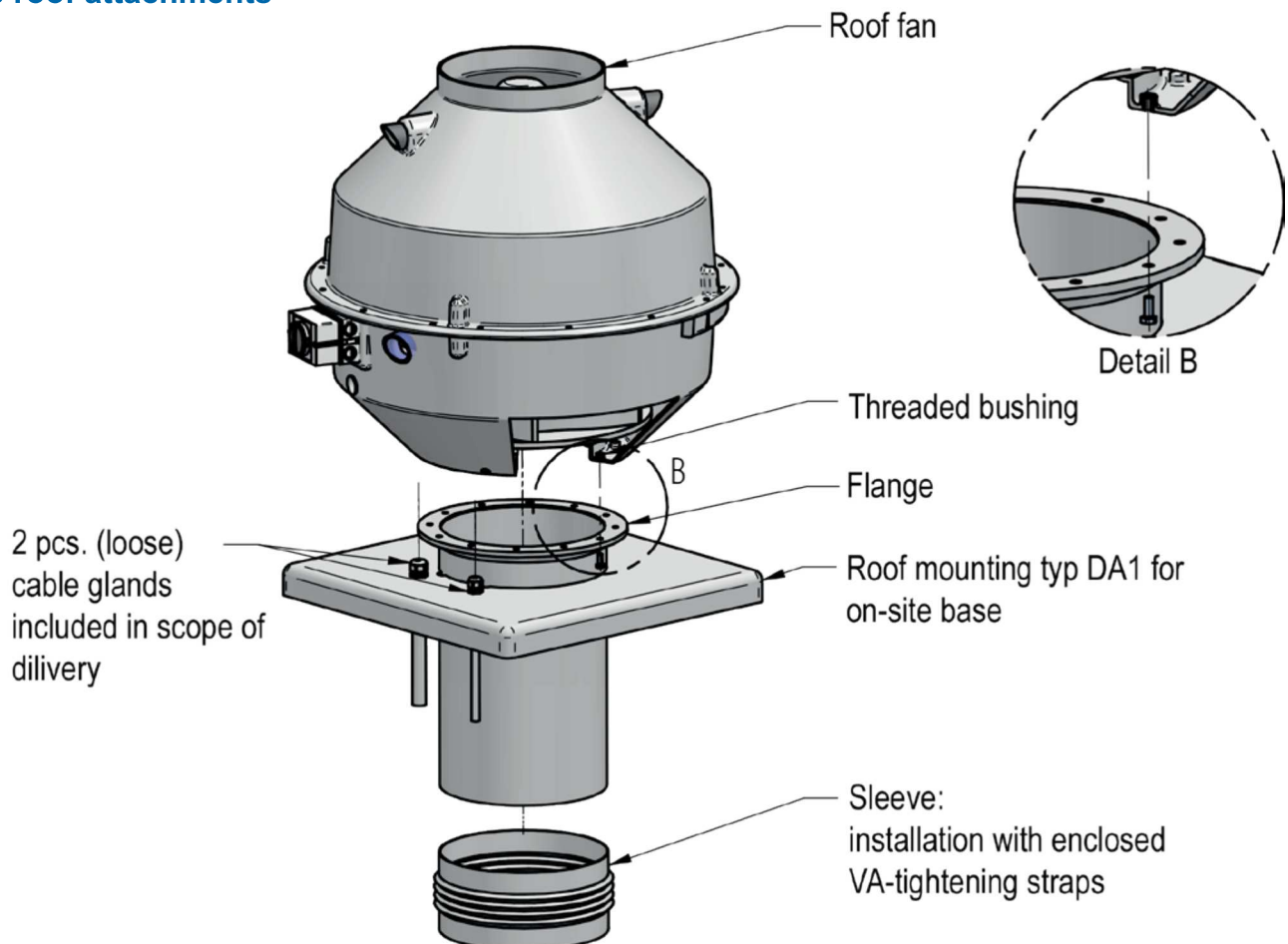
Features

- For installation of roof fans on base provided by customer
- For existing bases
- Flange for direct installation of a fan
- Moulded rain collar

Key data

- Available for all roof fans in the nominal connection sizes 110 to 1000 mm
- Made of PPs material as standard
- Special materials optionally available
- 2 loose cable glands included in scope of delivery

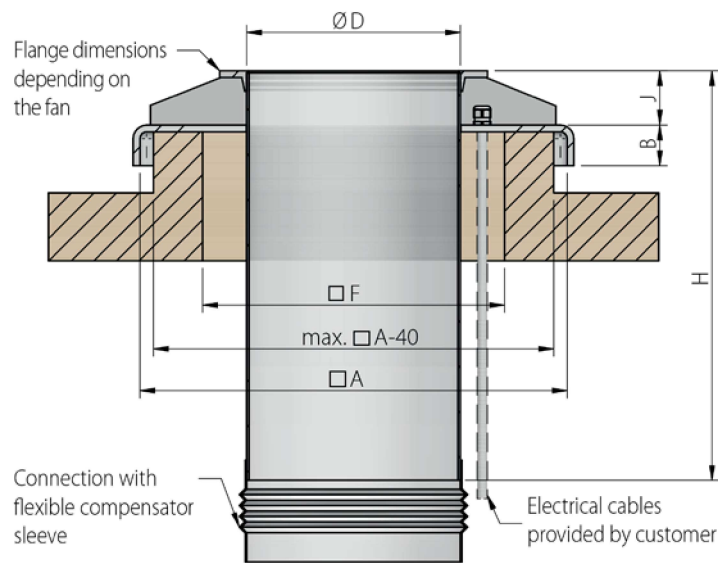
**HF - roof fans are installed directly on
the roof attachments**



HF - DA1 without base



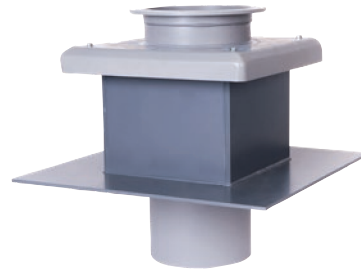
Roof mounting for on-site
roof attachment base for
HF - roof fans



Size - Type	Dimensions [mm]								PPs		Connection with flexible compensator sleeve
	Ø	□A	B	□C	□E	□F	G	H	J	Article no.	
110-17	350	60	535	200	235	300	600	80	415-010-000100	420-088-100079	
160-17	400	60	583	250	285	300	600	80	415-010-000200	420-088-100082	
200-17	450	60	630	295	330	300	600	80	415-010-000300	420-088-100085	
250-15	450	60	630	295	330	300	600	80	415-010-000400	420-088-100086	
250-17	450	60	630	295	330	300	600	80	415-010-000400	420-088-100086	
315-15	630	60	745	410	445	300	600	80	415-010-000500	420-088-100087	
160-16	400	60	583	250	285	300	600	80	415-010-000600	420-088-100082	
200-16	450	60	630	295	330	300	600	80	415-010-000700	420-088-100085	
250-16	450	60	630	295	330	300	600	80	415-010-000800	420-088-100086	
315-16	630	60	745	410	445	300	600	80	415-010-000900	420-088-100087	
355-16	630	60	795	455	495	300	640	120	415-010-001000	420-081-000112	
400-16	630	60	795	455	495	300	640	120	415-010-001100	420-081-000113	
500-13	1000	60	955	610	655	300	670	150	415-010-001200	420-081-000115	
560-13	1000	60	1055	710	755	300	670	150	415-010-001300	420-081-000118	
630-13	1000	60	1055	710	755	300	670	150	415-010-001400	420-081-000122	
800-13	1300	60	1245	900	945	300	690	170	415-010-001500	420-081-000513	
1000-13	1500	60	1445	1100	1145	300	750	230	415-010-001600	420-081-000515	

Other versions optionally available.

Roof mounting with
roof attachment base with
0° roof pitch for
HF - roof fans



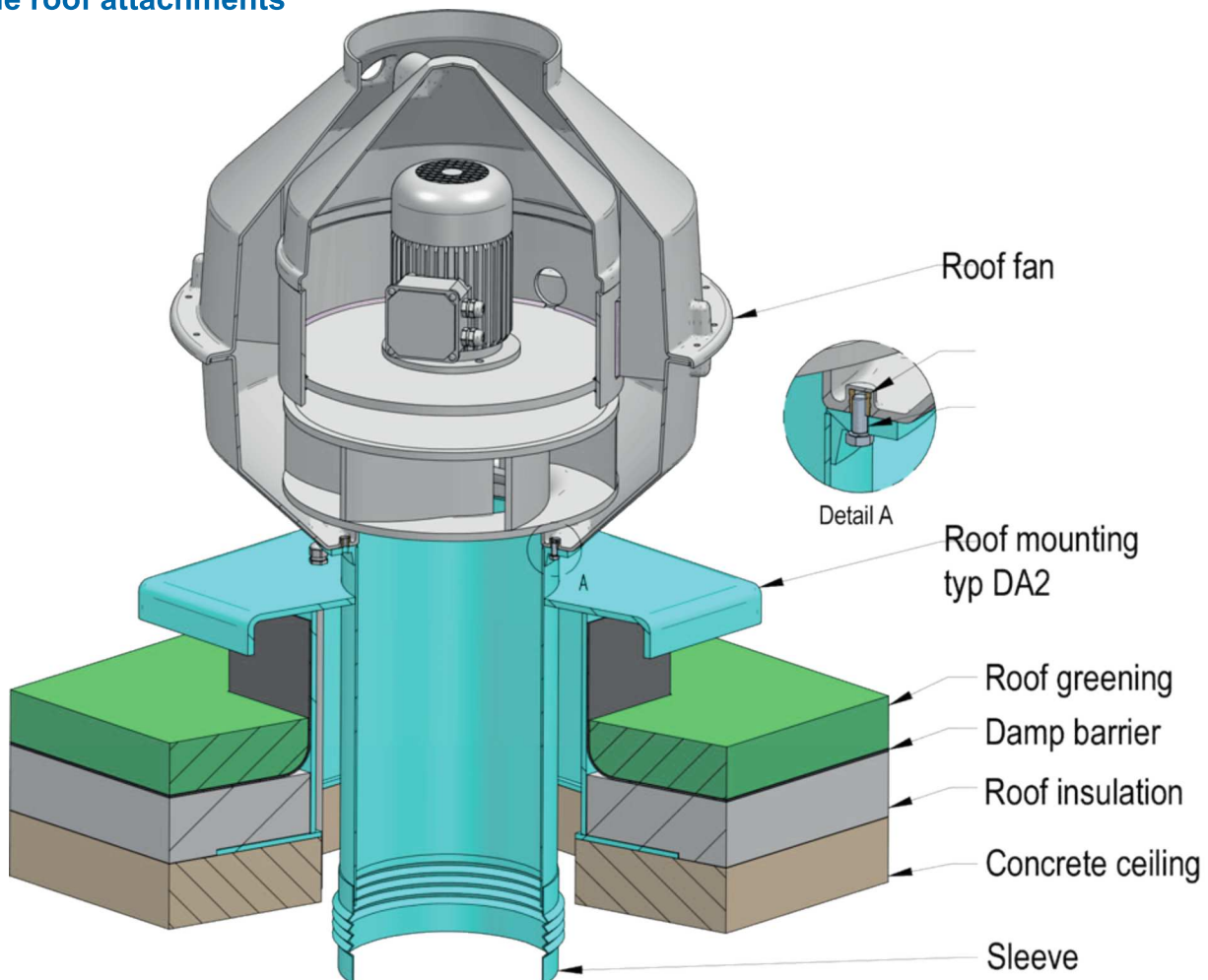
Features

- For the installation of roof fans on flat and inclined roofs
- Ideal for sealing into the roof through the square PVC base
- Flange for direct installation of a fan
- Optionally available with integrated blind flap

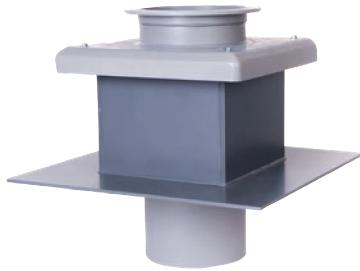
Key data

- Available for all roof fans in the nominal connection sizes 110 to 1000 mm
- Available as standard version for 0° roof pitch, optionally available for fixed roof pitch of up to 45°
- Made of PPs material as standard, with PVC basel
- Special materials optionally available
- 2 loose cable glands included in scope of delivery

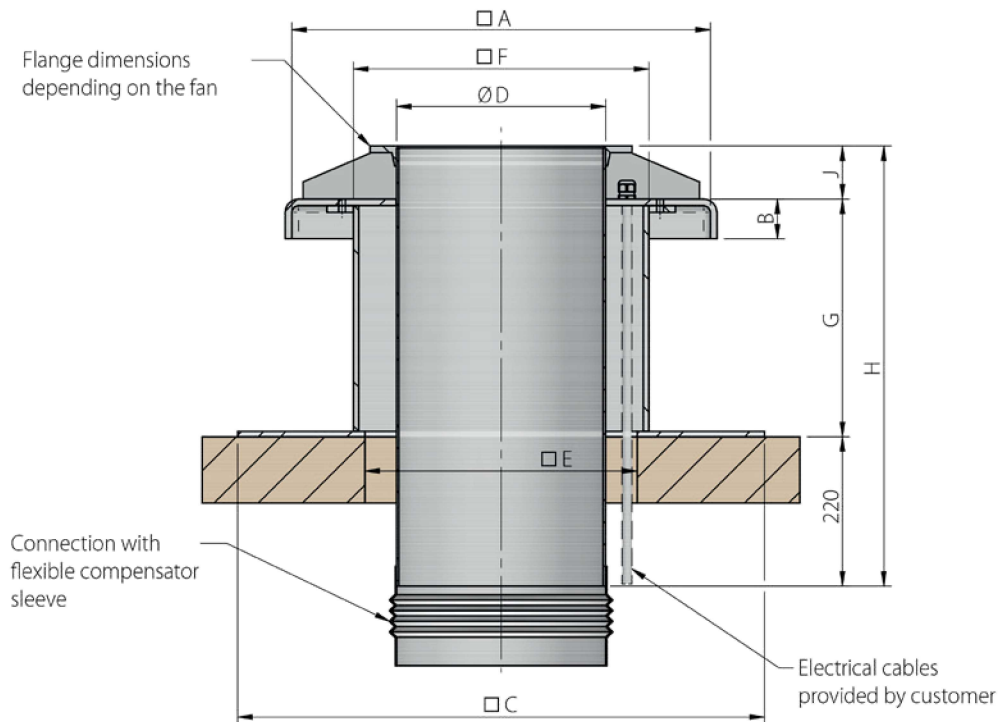
**HF - roof fans are installed directly on
the roof attachments**



HF - DA2 with base



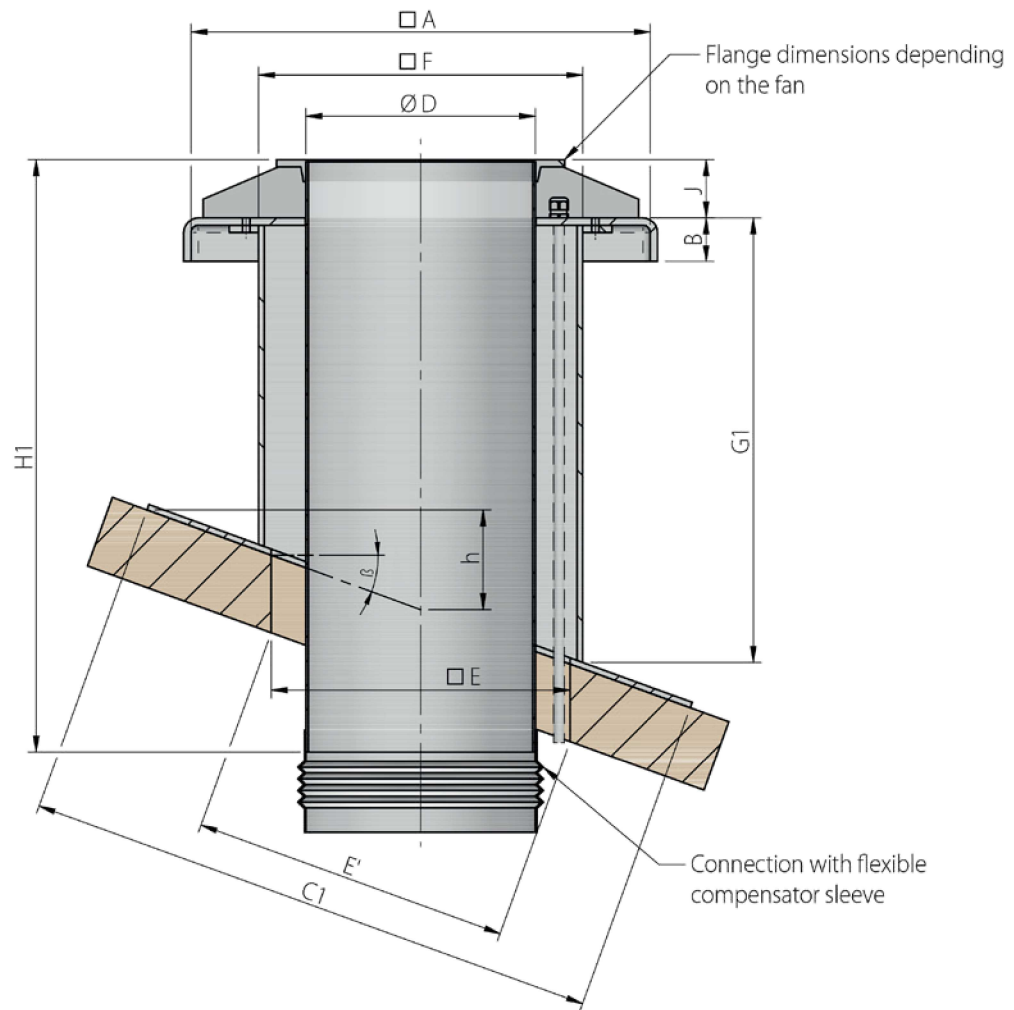
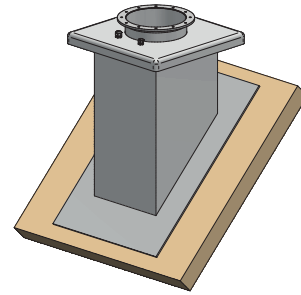
Roof mounting with
roof attachment base with
0° roof pitch for
HF - roof fans



Size - Type	Dimensions [mm]								PPs / PVC	Connection with flexible compensator sleeve
	Ø	□A	B	□C	□E	□F	G	H	J	Article no.
110-17	350	60	535	200	235	300	600	80	415-011-000300	420-088-100079
160-17	400	60	583	250	285	300	600	80	415-011-000600	420-088-100082
200-17	450	60	630	295	330	300	600	80	415-011-000900	420-088-100085
250-15	450	60	630	295	330	300	600	80	415-011-001200	420-088-100086
250-17	450	60	630	295	330	300	600	80	415-011-001200	420-088-100086
315-15	630	60	745	410	445	300	600	80	415-011-001500	420-088-100087
160-16	400	60	583	250	285	300	600	80	415-011-001800	420-088-100082
200-16	450	60	630	295	330	300	600	80	415-011-002100	420-088-100085
250-16	450	60	630	295	330	300	600	80	415-011-002400	420-088-100086
315-16	630	60	745	410	445	300	600	80	415-011-002700	420-088-100087
355-16	630	60	795	455	495	300	640	120	415-011-003000	420-081-000112
400-16	630	60	795	455	495	300	640	120	415-011-003300	420-081-000113
500-13	1000	60	955	610	655	300	670	150	415-011-003600	420-081-000115
560-13	1000	60	1055	710	755	300	670	150	415-011-003900	420-081-000118
630-13	1000	60	1055	710	755	300	670	150	415-011-004200	420-081-000122
800-13	1300	60	1245	900	945	300	690	170	415-011-004500	420-081-000513
1000-13	1500	60	1445	1100	1145	300	750	230	415-011-004800	420-081-000515

Other versions optionally available.

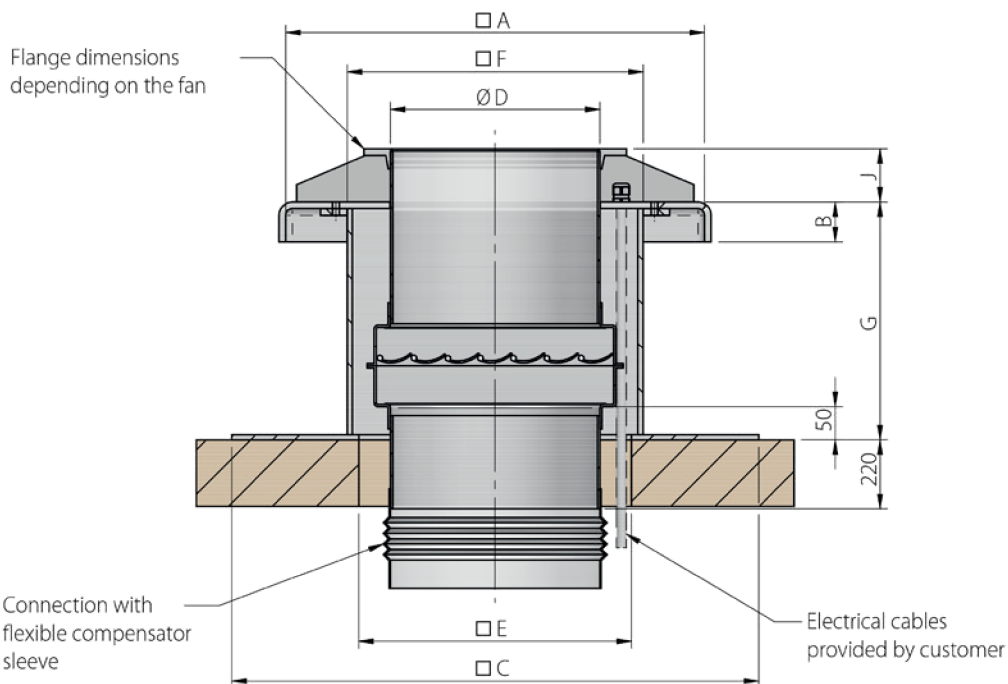
Roof mounting with roof attachment base with roof pitch up to 45° for HF - roof fans



Please let us know your roof pitch.
You will receive an individual dimension drawing.



Accessories
Roof mounting with
roof attachment base and
blind flap with 0° roof pitch for
HF - roof fans



Size - Type	Dimensions [mm]								PPs / PVC
	Ø	□A	B	□C	□E	□F	G	H	J
110-17	350	60	535	200	235	300	600	80	415-014-000200
160-17	400	60	583	250	285	300	600	80	415-014-000400
200-17	450	60	630	295	330	300	600	80	415-014-000600
250-15	450	60	630	295	330	300	600	80	415-014-000800
250-17	450	60	630	295	330	300	600	80	415-014-000800
315-15	630	60	745	410	445	300	600	80	415-014-001000
160-16	400	60	583	250	285	300	600	80	415-014-001200
200-16	450	60	630	295	330	300	600	80	415-014-001400
250-16	450	60	630	295	330	300	600	80	415-014-001600
315-16	630	60	745	410	445	300	600	80	415-014-001800
355-16	630	60	795	455	495	300	640	120	
400-16	630	60	795	455	495	300	640	120	
500-13	1000	60	955	610	655	300	670	150	

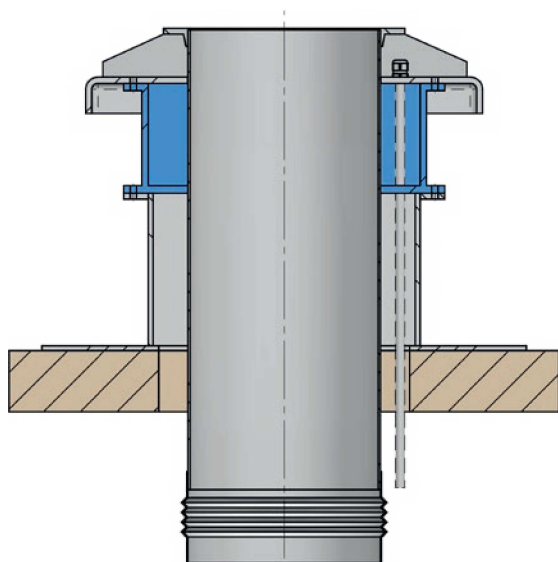
Connection with flexible compensator sleeve
Article no.
420-088-100079
420-088-100082
420-088-100085
420-088-100086
420-088-100086
420-088-100087
420-088-100082
420-088-100085
420-088-100086
420-088-100087
420-081-000112
420-081-000113
420-081-000115

Other versions optionally available.



Accessories
Roof mounting with
roof attachment base and
blind flap with 0° roof pitch for
HF - roof fans

Base extension
Installation situation in conjunction with
DA2 roof mounting base



Description of use

A base extension is intended for applications in which higher roof structures (insulation, sealing, gravel layers, ...) have to be bridged with existing type DA2 roof mounting.

www.hlu.eu

Hürner Luft- und Umwelttechnik GmbH
Ernst-Hürner-Straße
35325 Mücke-Atzenhain
Germany

Tel + 49 6401 9180 - 0
Fax + 49 6401 9180 - 142

info@hlu.eu

HLU Systemtechnik GmbH
Sälzerstraße 20a
56235 Ransbach-Baumbach
Germany

Tel + 49 2623 92 95 9 - 0
Fax + 49 2623 92 95 9 - 99

systemtechnik@hlu.eu