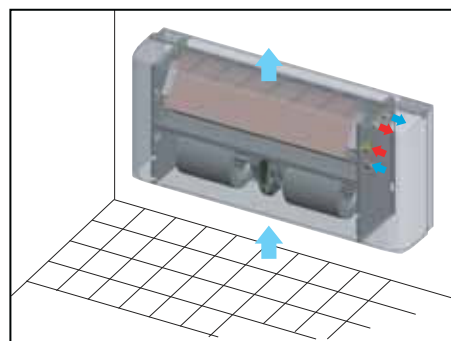
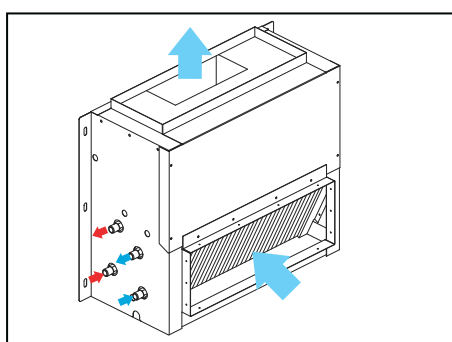


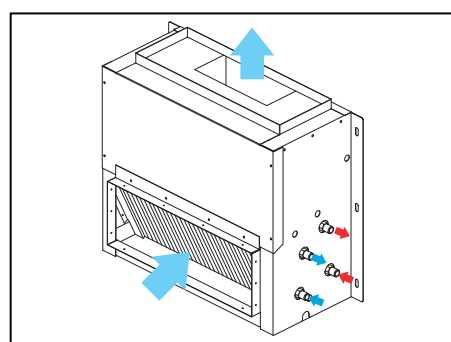
FAN COIL CON ATTACCHI IDRAULICI SINISTRI
FAN-COIL WITH LEFT HAND CONNECTIONS



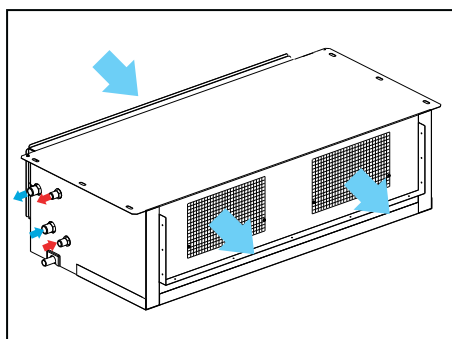
FAN COIL CON ATTACCHI IDRAULICI DESTRI
FAN-COIL WITH RIGHT HAND CONNECTIONS



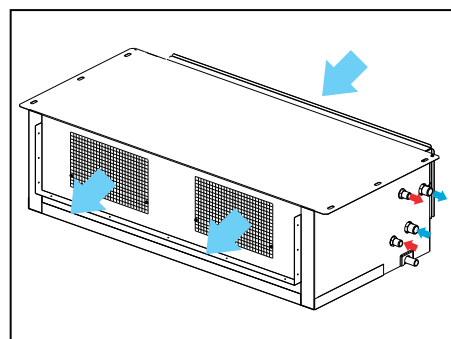
UTV CON ATTACCHI IDRAULICI SINISTRI
UTV WITH LEFT HAND CONNECTIONS



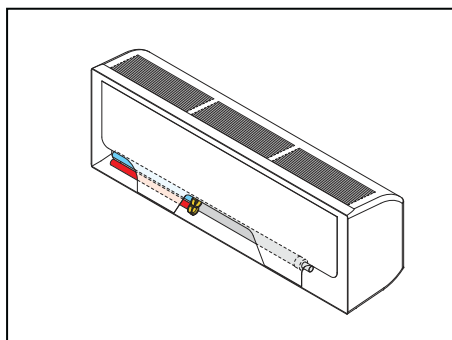
UTV CON ATTACCHI IDRAULICI DESTRI
UTV WITH RIGHT HAND CONNECTIONS



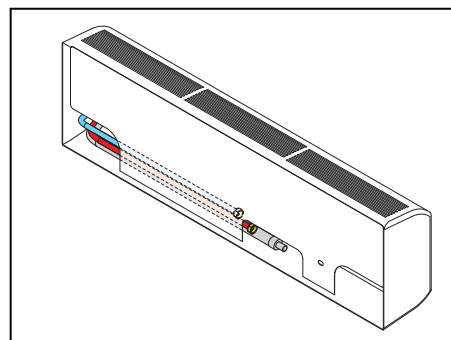
UTC CON ATTACCHI IDRAULICI SINISTRI
UTC WITH LEFT HAND CONNECTIONS



UTC CON ATTACCHI IDRAULICI DESTRI
UTC WITH RIGHT HAND CONNECTIONS



ATTACCHI IDRAULICI VEMA 1-2
VEMA 1-2 HYDRAULIC CONNECTIONS



ATTACCHI IDRAULICI VEMA 3
VEMA 3 HYDRAULIC CONNECTIONS