



Volume control dampers for wall/floor grilles type DWN

Galvanized steel volume dampers for **SHN, SHVN, AHN, AHVN, ALG, SPN-V, SPN-VH, SDN-V** and **SDN-VH** grilles

Brand

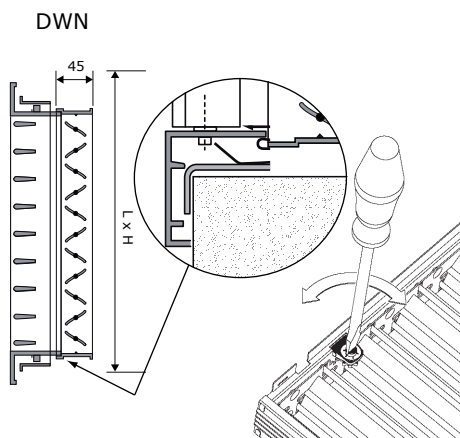
- Cairox

Mounting

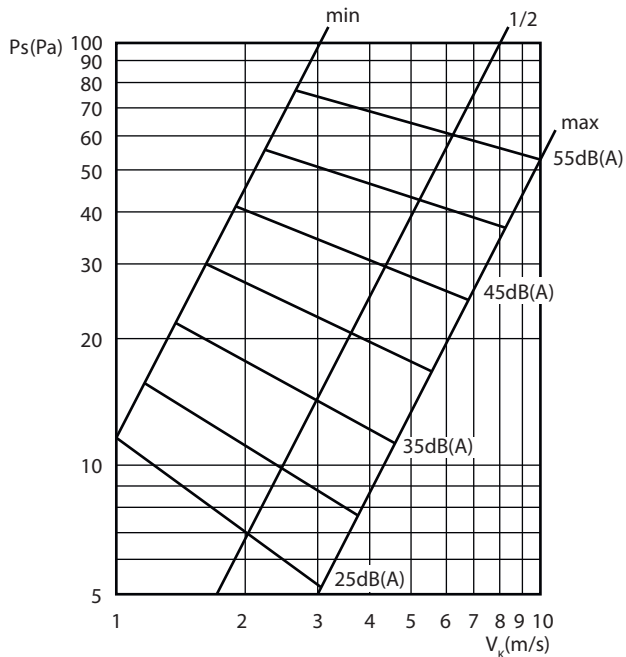
- The damper can be fixed to the grille by screws or directly on the clips of the grille
- The adjustment of the airflow can be set by a screwdriver trough the front of the grille (see drawing)

Other available products

- For floor grilles **ALG-F-0, ALG-F-15, ALG-TF-0** and **ALG-TF-15** a damper is available upon request



Selection graph



Symbols and specifications

- The graph presents the sound level in dB(A) as the sound power level without room attenuation for the combination of grille and damper DWN. The value of V_κ on the graph is that for the grille without damper.
- P_s = Pressure loss in Pa
- V_κ = Effective velocity of the corresponding grille (see selection tables SH(V)N, AH(V)N, ALG, SPN-V, SPN-VH, SDN-V and SDN-VH)
- Min, 1/2, Max = Opening of the damper
- dB(A) = Noise rate without room attenuation

Order example

■ DWN, 800, 200

Explanation

DWN = Damper**800** = Length**200** = Height