

- Wall grilles
- Aluminium
- Anodized natural finish
- Adjustable blades



## Aluminium wall grilles single deflection type AHN

Single deflection wall grilles with adjustable blades

### Brand

- Cairox

### Application

- For air supply and exhaust in ventilation and air conditioning systems

### Material

- Aluminium

### Colour

- Anodized natural finish
- Other colours available upon request

### Composition

- Deflection: adjustable
- Single row of blades (distance between blades = 20 mm)

### Mounting

- Invisible mounting with clips in mounting frame, type **CCN**

### Accessories

- Mounting frame, type **CCN**
- Volume control damper, type **DWN**
- Plenum box, type **REW**
- Insulating plenum box, type **REW ISO**

### Text for tender

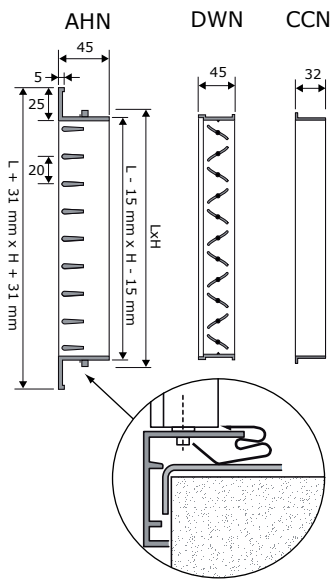
- The air supply grilles for wall mounting have individually adjustable blades to regulate the direction of the air flow pattern. They are of the single deflection type with an invisible clip fixing system and are supplied with a volume control damper.
- Anodized aluminium
- **Cairox** Type **AHN+CCN+DWN+REW(ISO)**

**Order example**■ **AHN, 800, 200 + CCN + DWN + REW**

Explanation

**AHN** = Grille type**800** = Length (see table)**200** = Height (see table)

Accessories (Optional)

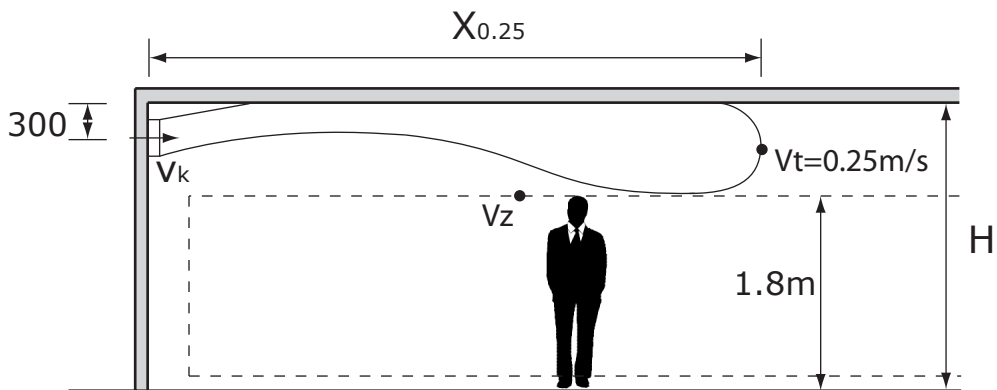
**CCN** = Mounting frame**DWN** = Volume damper**REW** = Plenum box

Quick selection															
AHN	LxH	200x100	300x100 200x150	400x100 300x150 200x200	500x100	600x100 400x150 300x200	800x100 500x150 400x200	1000x100 600x150 500x200 300x300	1200x100 800x150 600x200 400x300	1000x150 800x200 500x300 400x400	1200x150 1000x200 600x300 500x400	1200x200 800x300 600x400	1000x300 800x400	1200x300 1000x400	1200x400
Q	Ak	0.0111	0.018	0.025	0.032	0.0389	0.0529	0.0668	0.0807	0.1016	0.1225	0.1643	0.2061	0.2479	0.3315
100	Vk	2.5	1.5	1.1											
	X0,25	2.8	2.2	1.8											
	Ps	2.7	1	0.5											
	Lw(A)	<20	<20	<20											
150	Vk	3.8	2.3	1.7	1.3	1.1									
	X0,25	4.2	3.3	2.8	2.5	2.2									
	Ps	6.1	2.3	1.2	0.7	0.5									
	Lw(A)	25	<20	<20	<20	<20									
200	Vk	5	3.1	2.2	1.7	1.4	1.1								
	X0,25	5.6	4.4	3.7	3.3	3	2.5								
	Ps	10.9	4.1	2.2	1.3	0.9	0.5								
	Lw(A)	33	23	<20	<20	<20	<20								
300	Vk	7.5	4.6	3.3	2.6	2.1	1.6	1.2	1						
	X0,25	8.3	6.5	5.5	4.9	4.4	3.8	3.4	3.1						
	Ps	24.6	9.4	4.9	3	2	1.1	0.7	0.5						
	Lw(A)	44	33	26	21	<20	<20	<20	<20						
400	Vk		6.2	4.4	3.5	2.9	2.1	1.7	1.4	1.1					
	X0,25		8.7	7.4	6.5	5.9	5.1	4.5	4.1	3.7					
	Ps		16.7	8.6	5.3	3.6	1.9	1.2	0.8	0.5					
	Lw(A)		41	34	29	24	<20	<20	<20	<20					
600	Vk			6.7	5.2	4.3	3.2	2.5	2.1	1.6	1.4	1			
	X0,25			11.1	9.8	8.9	7.6	6.8	6.2	5.5	5	4.3			
	Ps			19.5	11.9	8	4.4	2.7	1.9	1.2	0.8	0.5			
	Lw(A)			45	39	35	28	23	<20	<20	<20	<20			
800	Vk				6.9	5.7	4.2	3.3	2.8	2.2	1.8	1.4	1.1		
	X0,25				13.1	11.9	10.2	9.1	8.2	7.3	6.7	5.8	5.2		
	Ps				21.2	14.3	7.7	4.9	3.3	2.1	1.4	0.8	0.5		
	Lw(A)				47	43	36	31	27	22	<20	<20	<20		
1000	Vk					7.1	5.3	4.2	3.4	2.7	2.3	1.7	1.3	1.1	
	X0,25					14.8	12.7	11.3	10.3	9.2	8.4	7.2	6.4	5.9	
	Ps					22.4	12.1	7.6	5.2	3.3	2.3	1.3	0.8	0.6	
	Lw(A)					49	42	37	33	28	24	<20	<20	<20	
1200	Vk						6.3	5	4.1	3.3	2.7	2	1.6	1.3	1
	X0,25						15.3	13.6	12.4	11	10	8.7	7.7	7	6.1
	Ps						17.5	11	7.5	4.7	3.3	1.8	1.1	0.8	0.4
	Lw(A)						47	42	38	33	29	22	<20	<20	<20
1600	Vk							6.7	5.5	4.4	3.6	2.7	2.2	1.8	1.3
	X0,25							18.1	16.5	14.7	13.4	11.5	10.3	9.4	8.1
	Ps							19.5	13.4	8.4	5.8	3.2	2	1.4	0.8
	Lw(A)							50	45	40	36	30	25	21	<20
2000	Vk								6.9	5.5	4.5	3.4	2.7	2.2	1.7
	X0,25								20.6	18.4	16.7	14.4	12.9	11.7	10.2
	Ps								20.9	13.2	9.1	5	3.2	2.2	1.2
	Lw(A)								51	46	42	36	31	27	21
2400	Vk									6.6	5.4	4.1	3.2	2.7	2
	X0,25									22	20.1	17.3	15.5	14.1	12.2
	Ps									19	13.1	7.3	4.6	3.2	1.8
	Lw(A)									51	47	41	36	32	25
2800	Vk										7.7	6.3	4.7	3.8	3.1
	X0,25										25.7	23.4	20.2	18	16.4
	Ps										25.9	17.8	9.9	6.3	4.4
	Lw(A)										55	51	45	40	36
3200	Vk											7.3	5.4	4.3	3.6
	X0,25											26.7	23.1	20.6	18.8
	Ps											23.3	13	8.2	5.7
	Lw(A)											55	48	44	39

**Symbols and specifications**

- LxH = Width L and height H in mm
- Q = Air volume in m<sup>3</sup>/h
- Ak = Effective surface (free area) in m<sup>2</sup>
- Vk = Average effective velocity through the grille in m/s
- X0.25 = Horizontal throw in m at an endvelocity Vt of 0.25 m/s
- Ps = Static pressure loss given in Pa
- Lw(A) = Acoustic power in dB(A)
- The throw X0.25 is given without deflection of the airstream at an end velocity of 0.25m/s. The distances are given for a smooth ceiling and installation distance of the center of the grille at 300mm from the ceiling surface. When mounted at a distance of 400 to 600 mm from the ceiling, a horizontal deflection towards the ceiling of 15° is advised. When mounted at a distance larger than 600mm from the ceiling, the throw distance X0.25 will be smaller than mentioned due to the missing coanda effect. In these cases and for all other special requirements, please contact our engineering office.
- The values are given for isothermal supply air. Throw distances for cooling conditions at -11K can be calculated by dividing the X0.25 values with factor 1.1. For heating purposes at Dt of +11K a multiplier of 1.1 should be applied to the given X0.25 value.
- Advised mounting distance between centers of multiple grilles in the same wall should be greater than 1/3 of the throw length X0.25 (without spread)
- The pressure losses Ps are given for grilles without damper or with fully opened damper.
- The acoustic powers Lw(A) are given for grilles without damper or with fully opened damper without room attenuation. Acoustic powers below 20dB(A) are mentioned as "<20" in the tables.

## Placement instruction



- Plenum boxes
- Galvanized steel
- Non-insulated



## Plenum boxes for wall/floor grilles type REW

Galvanized steel plenum box for wall and floor grilles

### Brand

- Cairox

### Other available products

- Insulated plenum box, type **REW ISO**
- Customized plenum boxes available upon request

### Accessories

- Circular volume control damper, type **CRC**

### Order example

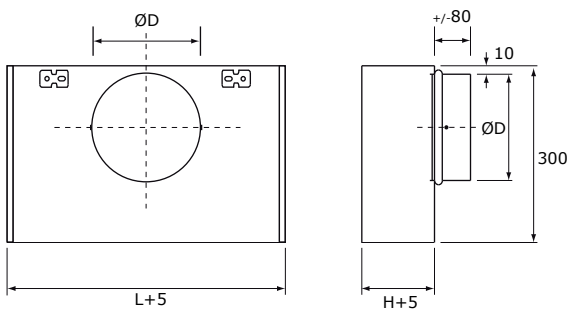
- **REW, 800, 200**

Explanation

**REW** = Plenum box

**800** = Length (see table)

**200** = Height (see table)



Dimensions			
LXH [mm]	ØD [mm]	LXH [mm]	ØD [mm]
200x100	1x 125	500x200	1x 250
300x100	1x 125	600x200	2x 200
400x100	1x 160	800x200	2x 250
500x100	1x 160	1000x200	2x 250
600x100	1x 200	1200x200	2x 250
800x100	1x 250	300x300	1x 250
1000x100	1x 250	400x300	1x 250
1200x100	2x 200	500x300	2x 200
200x150	1x 125	600x300	2x 200
300x150	1x 160	800x300	2x 250
400x150	1x 200	1000x300	2x 250
500x150	1x 200	1200x300	3x 250
600x150	1x 250	400x400	1x 250
800x150	1x 250	500x400	1x 250
1000x150	2x 200	600x400	2x 250
1200x150	2x 250	800x400	2x 250
200x200	1x 200	1000x400	3x 250
300x200	1x 200	1200x400	4x 250
400x200	1x 250		