

- Wall grilles
- Aluminium
- Anodized natural finish
- Fixed blades 0°



Aluminium linear wall grilles type ALG-0

Anodized aluminium grilles with fixed blades and a blade pitch of 12.5 mm, deflection 0°

Brand

- Cairox

Application

- Used for air supply and air exhaust in ventilation and air conditioning systems

Material

- Aluminium

Colour

- Anodized natural finish
- Other colours available upon request

Composition

- Deflection: fixed 0°
- Single row of horizontal blades

Mounting

- Invisible mounting with clips in mounting frame, type **CCN**

Accessories

- Mounting frame for clip fixing, type **CCN**
- Volume control damper, type **DWN**
- Plenum box, type **REW**
- Insulating plenum box, type **REW ISO**

Other available products

- **ALG-15** with 15° deflection

Text for tender

- The air supply wall grilles have fixed blades with a clip fixing system and are supplied with a galvanised steel volume control damper.
- Anodized natural aluminium
- **Cairox** Type **ALG-0+CCN+DWN+REW(ISO)**

Order example

■ **ALG-0, 800, 200 + CCN + DWN + REW**

Explanation

ALG-0 = Grille type

800 = Length

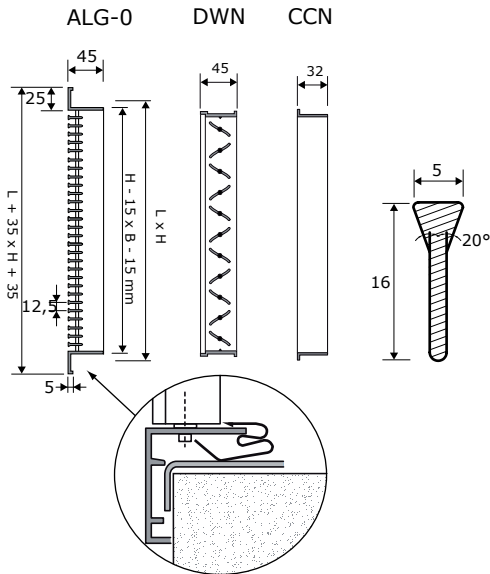
200 = Height

Accessories (optional)

CCN = Mounting frame

DWN = Volume control damper

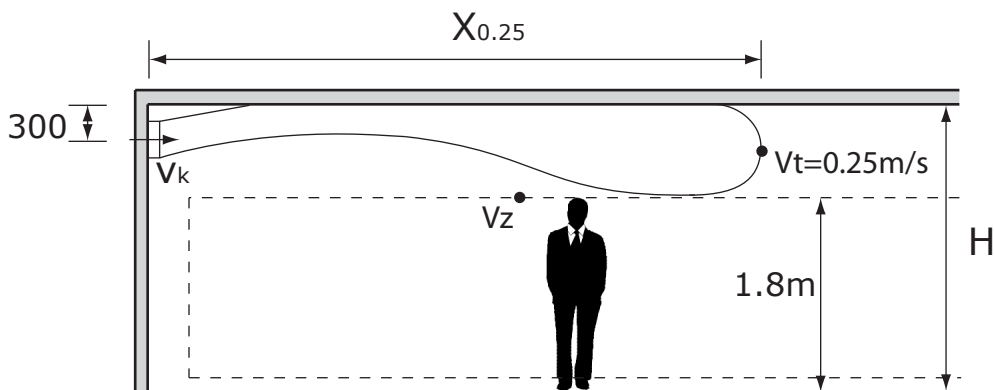
REW = Plenum box



		Quick selection														
ALG-0	LxH	200x100	300x100	400x100 300x150 200x200	500x100	600x100 400x150 300x200	500x150	800x100 400x200	600x150 300x300	500x200 1000x100	800x150 600x200 400x300	1000x150 800x200 500x300	600x300	1000x200	800x300	1000x300
Q	Ak	0.0021	0.0083	0.0145	0.0206	0.0268	0.0361	0.0392	0.0453	0.0515	0.0638	0.0823	0.1008	0.1132	0.1379	0.1749
50	Vk	6.6	1.7													
	X0,25	5.7	3.3													
	Ps	32	2													
	Lw(A)	30	<20													
100	Vk		3.3	1.9	1.3	1										
	X0,25		6.1	4.8	4.2	3.8										
	Ps		8	3	1	1										
	Lw(A)		24	<20	<20	<20										
150	Vk		5	2.9	2	1.6	1.2	1.1								
	X0,25		8.8	6.9	6	5.4	4.8	4.6								
	Ps		19	6	3	2	1	1								
	Lw(A)		32	25	<20	<20	<20	<20								
200	Vk		6.7	3.8	2.7	2.1	1.5	1.4	1.2	1.1						
	X0,25		11.5	9	7.8	7	6.2	6	5.6	5.4						
	Ps		33	11	6	3	2	2	1	1						
	Lw(A)		38	30	25	22	<20	<20	<20	<20						
300	Vk			5.7	4	3.1	2.3	2.1	1.8	1.6	1.3	1				
	X0,25			13.2	11.4	10.2	9	8.7	8.1	7.7	7.1	6.4				
	Ps			24	12	7	4	4	3	2	1	1				
	Lw(A)			38	33	30	25	24	22	21	<20	<20				
400	Vk			7.7	5.4	4.1	3.1	2.8	2.5	2.2	1.7	1.4	1.1			
	X0,25			17.4	15	13.3	11.7	11.3	10.6	10.1	9.2	8.3	7.6			
	Ps			42	21	13	7	6	5	4	2	1	1			
	Lw(A)			44	39	35	31	30	28	26	23	<20	<20			
600	Vk				6.2	4.6	4.3	3.7	3.2	2.6	2	1.7	1.5	1.2		
	X0,25				19.7	17.3	16.7	15.6	14.8	13.5	12.1	11.1	10.5	9.7		
	Ps				28	16	13	10	8	5	3	2	2	1		
	Lw(A)				43	39	38	36	34	31	27	25	23	20		
800	Vk					6.2	5.7	4.9	4.3	3.5	2.7	2.2	2	1.6	1.3	
	X0,25					22.8	22	20.6	19.5	17.8	15.9	14.5	13.8	12.7	11.5	
	Ps					28	24	18	14	9	6	4	3	2	1	
	Lw(A)					44	43	41	39	37	33	30	29	26	23	
1000	Vk						7.7	7.1	6.1	5.4	4.4	3.4	2.8	2.5	2	1.6
	X0,25						28.4	27.3	25.6	24.2	22	19.7	18	17.1	15.7	14.2
	Ps						43	36	27	21	14	9	6	5	3	2
	Lw(A)						49	48	46	44	41	37	35	33	30	27
1200	Vk							7.4	6.5	5.2	4.1	3.3	2.9	2.4	1.9	
	X0,25							30.6	28.9	26.3	23.5	21.5	20.4	18.7	16.9	
	Ps							39	30	20	12	8	7	5	3	
	Lw(A)							49	47	44	41	38	36	34	30	
1600	Vk								7	5.4	4.4	3.4	3.9	3.2	2.5	
	X0,25								34.9	31.1	28.4	27	24.7	22.3		
	Ps								35	21	14	12	8	5		
	Lw(A)								50	46	44	42	39	36		
2000	Vk										6.8	5.5	4.9	4	3.2	
	X0,25										38.7	35.4	33.6	30.8	27.7	
	Ps										33	22	18	12	8	
	Lw(A)										51	48	46	44	40	

Symbols and specifications

- $L \times H$ = Width L and height H in mm
 - Q = Air volume in m^3/h
 - A_k = Effective surface (free area) in m^2
 - V_k = Average effective velocity through the grill in m/s
 - $X_{0.25}$ = Horizontal throw in m at an end velocity V_t of 0.25 m/s
 - P_s = Static pressure loss given in Pa
 - $L_w(A)$ = Acoustic power in $dB(A)$
- The throw $X_{0.25}$ is given without deflection of the airstream at an end velocity of 0.25 m/s . The distances are given for a smooth ceiling and installation distance of the center of the grille at 300 mm from the ceiling surface. When mounted at a distance of 400 to 600 mm from the ceiling, a horizontal deflection towards the ceiling of 15° is advised. When mounted at a distance larger than 600 mm from the ceiling, the throw distance $X_{0.25}$ will be smaller than mentioned due to the missing coanda effect. In these cases and for all other special requirements, please contact our engineering office.
 - The values are given for isothermal supply air. Throw distances for cooling conditions at $-11K$ can be calculated by dividing the $X_{0.25}$ values with factor 1.1. For heating purposes at Dt of $+11K$ a multiplier of 1.1 should be applied to the given $X_{0.25}$ value.
 - Advised mounting distance between centers of multiple grilles in the same wall should be greater than $1/3$ of the throw length $X_{0.25}$ (without spread)
 - The pressure losses P_s are given for grilles without damper or with fully opened damper.
 - The acoustic powers $L_w(A)$ are given for grilles without damper or with fully opened damper without room attenuation. Acoustic powers below 20 $dB(A)$ are mentioned as " <20 " in the tables.

Placement instruction

- Plenum boxes
- Galvanized steel
- Non-insulated



Plenum boxes for wall/floor grilles type REW

Galvanized steel plenum box for wall and floor grilles

Brand

- Cairox

Other available products

- Insulated plenum box, type **REW ISO**
- Customized plenum boxes available upon request

Accessories

- Circular volume control damper, type **CRC**

Order example

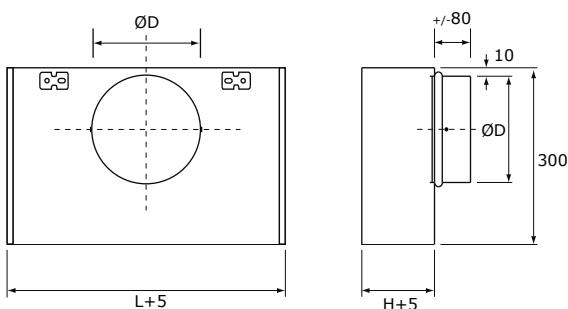
- **REW, 800, 200**

Explanation

REW = Plenum box

800 = Length (see table)

200 = Height (see table)



Dimensions			
LXH [mm]	ØD [mm]	LXH [mm]	ØD [mm]
200x100	1x 125	500x200	1x 250
300x100	1x 125	600x200	2x 200
400x100	1x 160	800x200	2x 250
500x100	1x 160	1000x200	2x 250
600x100	1x 200	1200x200	2x 250
800x100	1x 250	300x300	1x 250
1000x100	1x 250	400x300	1x 250
1200x100	2x 200	500x300	2x 200
200x150	1x 125	600x300	2x 200
300x150	1x 160	800x300	2x 250
400x150	1x 200	1000x300	2x 250
500x150	1x 200	1200x300	3x 250
600x150	1x 250	400x400	1x 250
800x150	1x 250	500x400	1x 250
1000x150	2x 200	600x400	2x 250
1200x150	2x 250	800x400	2x 250
200x200	1x 200	1000x400	3x 250
300x200	1x 200	1200x400	4x 250
400x200	1x 250		