



Aluminium linear swimming pool grilles type SPG

Anodized aluminium grilles with fixed blades, slot width of 8 mm.

Brand

- Cairox

Application

- Used for air supply in swimming pools or rooms with large glass surfaces

Material

- Aluminium
- Available from 1 till 6 slots with L= 1000 / 2000 mm

Colour

- Anodized natural finish
- Other colours available upon request

Mounting

- Grilles for installation in the floor, mounting with screws
- To be installed at a maximum distance of 300 mm from windows

Accessories

- Connection elements, corner connections and end plates available on demand.

Order example

- SPG, 2, 1000

Explanation

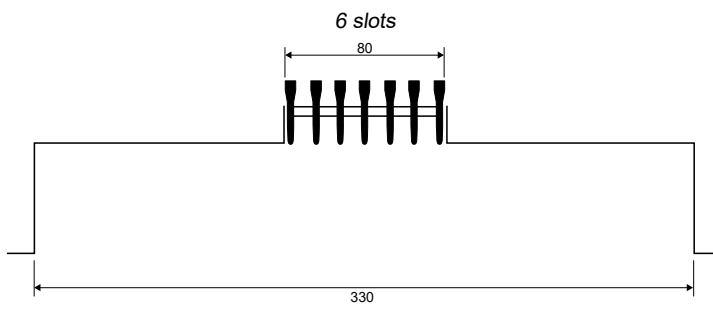
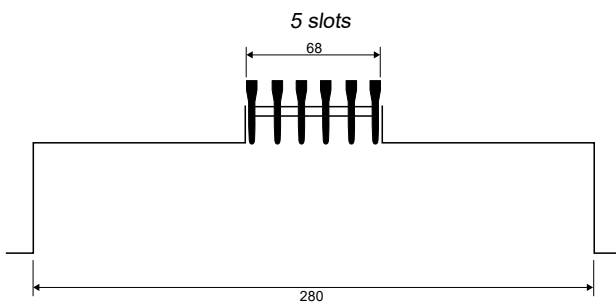
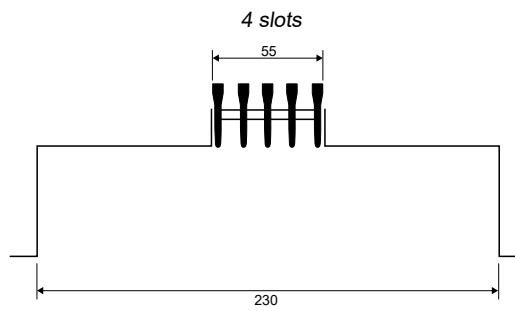
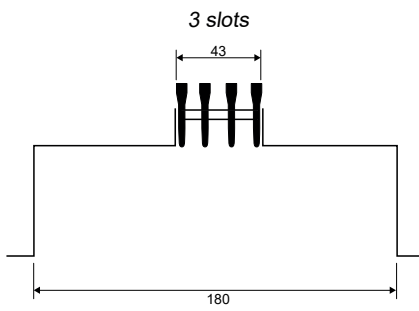
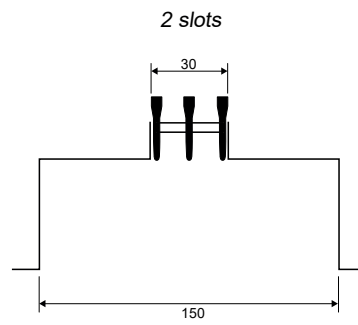
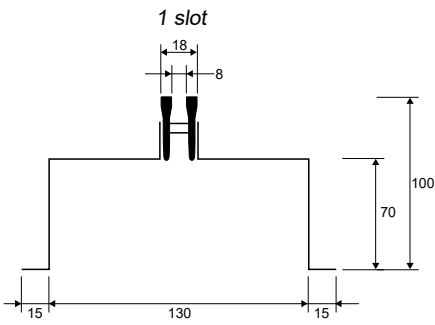
SPG= Grille type

2 = Number of slots

1000 = Length in mm

Prices

Prices on request

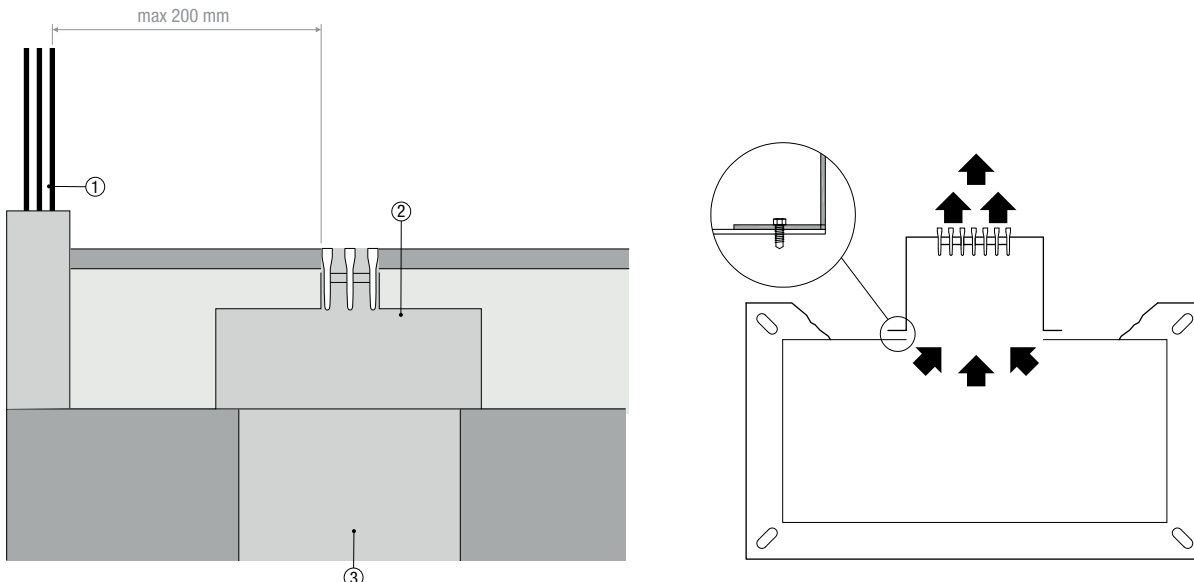


Quick selection							
SPG 8 mm	LxH	1slot 1000 mm	2slot 1000 mm	3slot 1000 mm	4slot 1000 mm	5slot 1000 mm	6slot 1000 mm
Q	Ak	0.0072	0.0126	0.0186	0.0244	0.0308	0.0368
50	Vk	1.9	1.1				
	Y0,25	0.7	0.5				
	Ps	3	1				
	Lw(A)	<20	<20				
100	Vk	3.9	2.2	1.5	1.1		
	Y0,25	1.9	1.5	1.2	1.1		
	Ps	12	4	2	1		
	Lw(A)	31	<20	<20	<20		
150	Vk	5.8	3.3	2.2	1.7	1.4	1.1
	Y0,25	3.2	2.5	2	1.8	1.6	1.5
	Ps	27	9	4	2	2	1
	Lw(A)	41	30	22	<20	<20	<20
200	Vk		4.4	3	2.3	1.8	1.5
	Y0,25		3.4	2.8	2.5	2.2	2
	Ps		16	7	4	3	2
	Lw(A)		37	29	24	<20	<20
250	Vk		5.5	3.7	2.8	2.3	1.9
	Y0,25		4.4	3.6	3.2	2.9	2.6
	Ps		25	11	7	4	3
	Lw(A)		42	35	29	25	22
300	Vk			4.5	3.4	2.7	2.3
	Y0,25			4.4	3.9	3.5	3.2
	Ps			16	10	6	4
	Lw(A)			39	34	29	26
400	Vk			6	4.6	3.6	3
	Y0,25			6	5.3	4.7	4.4
	Ps			29	17	11	8
	Lw(A)			46	41	36	33
500	Vk				5.7	4.5	3.8
	Y0,25				6.7	6	5.5
	Ps				26	17	12
	Lw(A)				46	42	38
600	Vk					5.4	4.5
	Y0,25					7.3	6.7
	Ps					24	17
	Lw(A)					46	43
650	Vk					5.9	4.9
	Y0,25					7.9	7.3
	Ps					28	20
	Lw(A)					48	45

Symbols and specifications

- LxH = Width L and height H in mm
 - Q = Air volume in m³/h
 - Ak = Effective surface (free area) in m²
 - Vk = Average effective velocity through the grille in m/s
 - Y0.25 = Vertical throw in m at an end velocity Vt of 0.25m/s
 - Ps = Static pressure loss given in Pa
 - Lw(A) = Acoustic power in dB(A)
- The values are given for isothermal supply air without coanda effect.
 - The pressure losses Pa are given for grilles without damper or with fully opened damper
 - The acoustic powers Lw(A) are given for grilles without damper or with fully opened damper without room attenuation. Acoustic powers below 20dB(A) are mentioned as "<20" in the tables.
 - For all other special requirements, please contact our engineering office.

Placement instruction



1. Glass
2. SPG
3. Air supply duct