

DRGS

- Door grilles
- Aluminium
- Anodized natural color
- With counterframe

CAIROX



Aluminium door or transfer grilles type DRGS

Aluminium door or transfer grilles for placement in doors and walls from 30 upto 54 mm.

Grille with an average free area of 39%

Brand

- Cairox

Application

- For air distribution between 2 rooms

Material

- Aluminium anodized natural finish

Colour

- Anodized natural finish

Composition

- Fixed non-vision V-shaped blades
- Counterframe

Mounting

- Visible screw mounting with counterframe

Order example

- DRGS, 400, 200

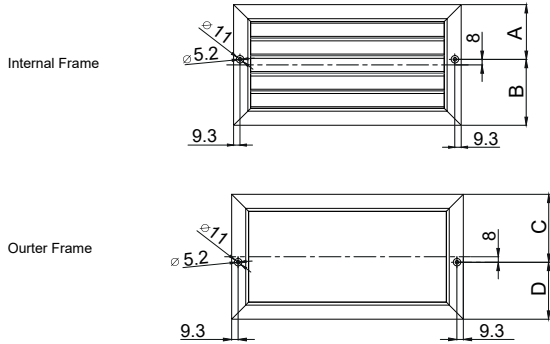
Explanation

DRGS = Grille type

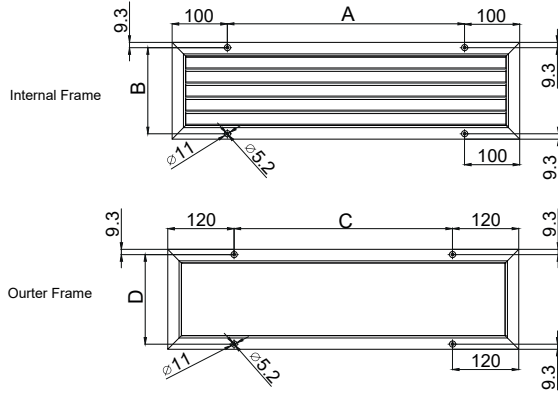
400 = Length (see table)

200 = Height (see table)

Size: L= 300mm



Size: L= 400mm and Bigger



	Dimensions			
	A [mm]	B [mm]	C [mm]	D [mm]
DRGS 200 x 100 MM (LxH)	54,5	70,5	73,5	57,5
DRGS 300 x 100 MM (LxH)	54,5	70,5	73,5	57,5
DRGS 300 x 200 MM (LxH)	104,5	120,5	123,5	107,5
DRGS 400 x 100 MM (LxH)	230	106,4	196	112,4
DRGS 400 x 200 MM (LxH)	230	206,4	196	212,4
DRGS 400 x 300 MM (LxH)	230	306,4	196	312,4
DRGS 500 x 200 MM (LxH)	330	206,4	296	212,4
DRGS 500 x 300 MM (LxH)	330	306,4	296	312,4
DRGS 600 x 200 MM (LxH)	430	206,4	396	212,4
DRGS 600 x 400 MM (LxH)	430	406,4	396	412,4

Quick selection										
DRGS		200 x 100	300 x 100	400 x 100	300 x 200	400 x 200	500 x 200	600 x 200 400 x 300	500 x 300	600 x 400
Qv	Ak	0.008	0.012	0.016	0.023	0.031	0.039	0.047	0.059	0.094
25	Vk	0.9	0.6							
	Ps	2.9	1.3							
	Lw(A)	<20	<20							
50	Vk	1.8	1.2	0.9	0.6					
	Ps	11.8	5.2	2.9	1.3					
	Lw(A)	24	<20	<20	<20					
75	Vk		1.8	1.3	0.9	0.7	0.5			
	Ps		11.8	6.6	2.9	1.7	1.1			
	Lw(A)		25	<20	<20	<20	<20			
100	Vk		2.4	1.8	1.2	0.9	0.7	0.6		
	Ps		20.9	11.8	5.2	2.9	1.9	1.3		
	Lw(A)		34	27	<20	<20	<20	<20		
150	Vk				1.8	1.3	1.1	0.9	0.7	
	Ps				11.8	6.6	4.2	2.9	1.9	
	Lw(A)				28	21	<20	<20	<20	
200	Vk				2.4	1.8	1.4	1.2	0.9	0.6
	Ps				20.9	11.8	7.5	5.2	3.3	1.3
	Lw(A)				37	30	24	<20	<20	<20
300	Vk						2.1	1.8	1.4	0.9
	Ps						17	11.8	7.5	2.9
	Lw(A)						36	31	26	<20
400	Vk							2.4	1.9	1.2
	Ps							20.9	13.4	5.2
	Lw(A)							40	34	22
600	Vk									1.8
	Ps									11.8
	Lw(A)									35

Symbols and specifications

- P_s = Static pressure loss in Pa
- Q = Air Volume in m^3/h
- $L \times H$ = Hole in wall or door in mm
- V_k = Effective air velocity true the grille in m/s
- A_k = Effective area in m^2
- $L_w(A)$ = Acoustic power in dB(A)