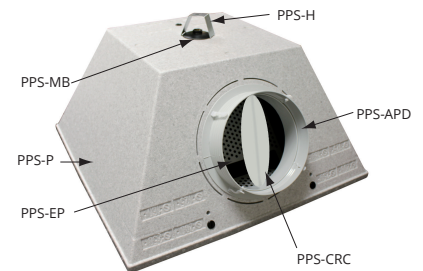
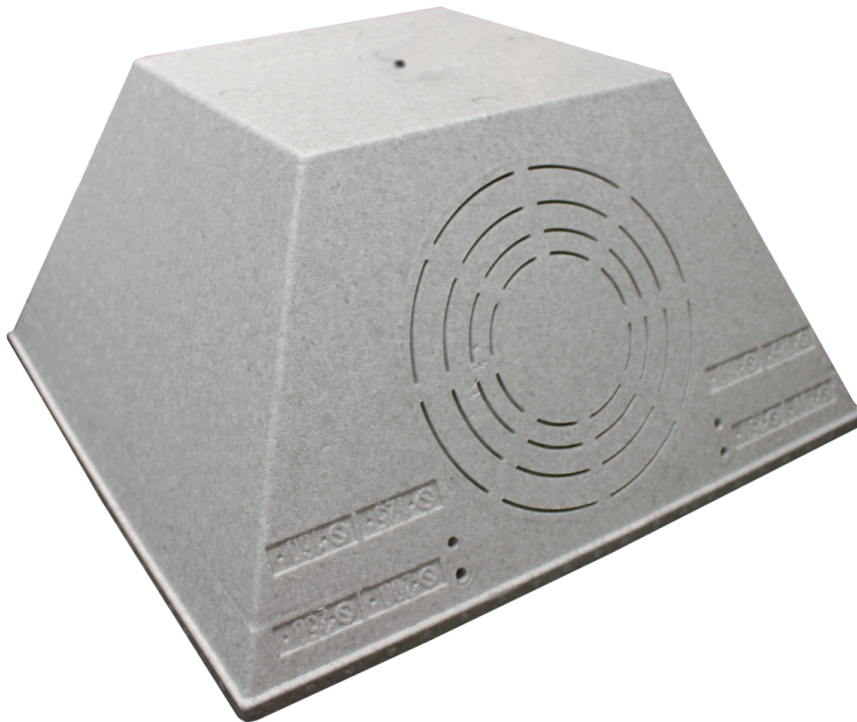


- Plenum boxes
- Square
- PS



## Polystyrene plenum box type PPS-P

Fire retardant polystyrene (EPS) plenum box

### Brand

- Cairox

### Application

- For air supply and exhaust on diffusers

### Material

- Polystyrene, with a density of 45 kg/m<sup>3</sup>

### Accessories

- Always to be combined with (flexible) duct connector **PPS-APD** in size **125, 160, 200 or 250** and with an optional regulating valve **PPS-CRC** in size **125, 160, 200 or 250**
- Optional perforated equalizing plate **PPS-EP**
- Optional central plenum box hanger type **PPS-H**
- Central mounting bar **PPS-MB** with M6 nut

### Certification

- **PPS-P** plenum box M1 certified by CSTB RA24-0089
- Zulassung UW-BWU03-1 16.36

### Order example

**PPS-P 600 + PPS-MB + PPS-APD 250 + PPS-EP + PPS-H**

Explication

**PPS-P** = Plenum box in PPS

**600** = For diffuser type 600 in plate size of +/- 595 X 595 mm

Accessories

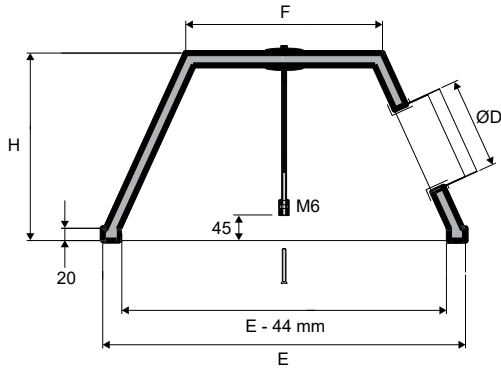
**PPS-MB** = Central plenum box mounting bar

**PPS-APD** = Duct connector

**250** = Duct connection size

**PPS-EP** = Perforated equalizing plate

**PPS-H** = Central plenum box hanger



| Model     | Dimensions |          |          |          |        |        |        |
|-----------|------------|----------|----------|----------|--------|--------|--------|
|           | ØD1 [mm]   | ØD2 [mm] | ØD3 [mm] | ØD4 [mm] | E [mm] | F [mm] | H [mm] |
| PPS-P 300 | 125        | 160      |          |          | 290    | 181    | 225    |
| PPS-P 400 | 125        | 160      | 200      |          | 390    | 239    | 255    |
| PPS-P 500 | 125        | 160      | 200      |          | 490    | 275    | 255    |
| PPS-P 600 | 125        | 160      | 200      | 250      | 590    | 320    | 311    |

