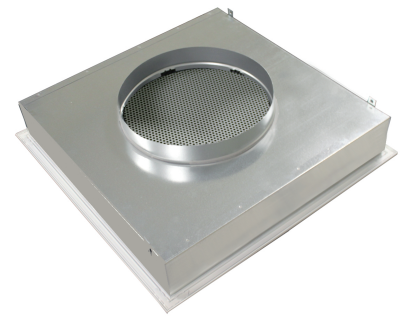


**PPRMB
(RAL9016)**

- Perforated diffusers
- Square
- Steel
- White, RAL 9016



Perforated ceiling grilles for air exhaust type PPRMB (RAL9016)

Air exhaust ceiling diffusers with removable perforated plate

Brand

- Cairox

Application

- For air exhaust in ventilation and air conditioning systems

Material

- Steel

Colour

- Standard colour white, RAL 9016
- Other colours available upon request

Composition

- Perforated removable front plate with incorporated top entry plenum box
- Perforated innerpart to be opened easily by push-push system

Text for tender

- The square air exhaust ceiling diffusers have a perforated front plate and an incorporated plenum box. They are made of steel and finished in white powder coating RAL 9016.
- **Cairox** type **PPRMB**

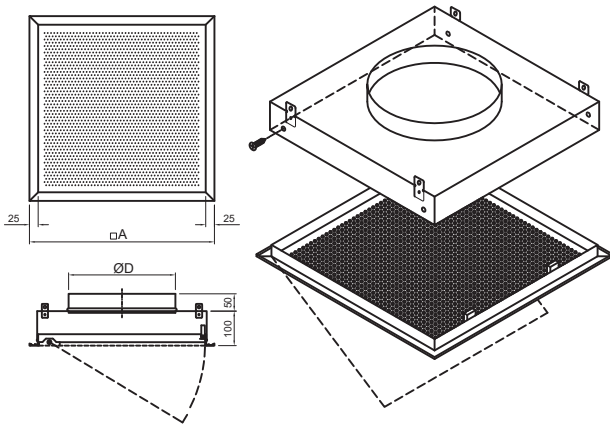
Order example

- **PPRMB, 200**

Explanation

PPRMB = Diffuser type

200 = Diffuser size (connection diameter)



Dimensions		
PPRMB	A [mm]	ØN [mm]
160	300	160
200	400	200
250	500	250

Quick selection				
PPRMB		300/160	400/200	500/250
Q	Ak	0.0302	0.0591	0.0976
	Vk	1.4	0.7	
150	Ps	18	4	
	Lw(A)	<20	<20	
	Vk	1.8	0.9	0.6
200	Ps	29	7	3
	Lw(A)	<20	<20	<20
	Vk	2.3	1.2	0.7
250	Ps	47	13	4
	Lw(A)	24	<20	<20
	Vk	2.8	1.4	0.9
300	Ps	70	18	7
	Lw(A)	30	<20	<20
	Vk		1.9	1.1
400	Ps		32	11
	Lw(A)		<20	<20
	Vk		2.4	1.4
500	Ps		52	18
	Lw(A)		27	<20
	Vk		2.8	1.7
600	Ps		70	26
	Lw(A)		33	<20
	Vk			2.3
800	Ps			47
	Lw(A)			28
	Vk			2.8
1000	Ps			70
	Lw(A)			35

Symbols and specifications

- Q = Air Volume in m³/h
 - Ak = Effective surface (free area) in m²
 - Vk = Average effective velocity through the grill in m/s
 - Ps = Static pressure loss given in Pa
 - Lw(A) = Acoustic power in dB(A)
- The values are given for isothermal supply air
 - For all special requirements, please contact our engineering office.