

- Plenum boxes
- Circular
- Steel



## Circular plenum boxes type RER-LB

Circular galvanized steel plenum box **RER-LB** with crossbar. To be combined with (PS)/RWR-N, VWR-N, RWR-2 and PRN

### Brand

- Cairox

### Application

- Connection of circular ductwork and circular diffusers
- Velocity reduction towards diffusers
- Diffuser mounting in plasterboard or false system ceilings

### Material

- Galvanized steel

### Composition

- Circular plenum box made out of galvanized steel
- Circular side entry spigot
- Mounted crossbar with M6 screw connection in the middle
- Rubber seal between plenum box and diffuser to make an airtight connection

### Accessories

- Circular regulating valve, type **CRC**

### Order example

- **RER-LB, 200 + CRC 160**

Explanation

**RER-LB** = Plenum box type

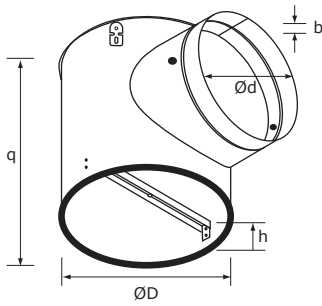
**200** = Size according to diffuser (Ø diffuser neck connection)

Accessory

**CRC 160** = Volume control damper for plenumbox connection Ø160

### Other available products

- Insulated plenum box type **RER-LB ISO**



| Dimensions |         |        |         |        |        |
|------------|---------|--------|---------|--------|--------|
| RER-LB     | ØD [mm] | q [mm] | Ød [mm] | b [mm] | h [mm] |
| 100        | 111     | 148    | 80      | 15     | 65     |
| 125        | 136     | 168    | 100     | 15     | 65     |
| 160        | 171     | 193    | 125     | 15     | 65     |
| 200        | 211     | 228    | 160     | 15     | 65     |
| 250        | 261     | 268    | 200     | 15     | 65     |
| 315        | 326     | 318    | 250     | 15     | 65     |
| 355        | 366     | 318    | 250     | 15     | 65     |
| 400        | 411     | 383    | 315     | 15     | 65     |
| 500        | 511     | 383    | 315     | 15     | 65     |