

RER-LB ISO

- Plenum boxes
- Circular
- Steel



Insulated circular plenum boxes type RER-LB ISO

Internally insulated circular galvanized steel plenum box **RER-LB ISO** with crossbar.
To be combined with RWR-N, VWR-N, RWR-2 and PRN

Brand

- Cairox

Application

- Connection of circular ductwork and circular diffusers
- Velocity reduction towards diffusers
- Diffuser mounting in plasterboard or false system ceilings

Material

- Galvanized steel

Composition

- Circular plenumbox made out of galvanized steel
- Circular side entry spigot
- Mounted Crossbar with M6 screw connection in the middle
- Rubber seal between plenum box and diffuser to make an airtight connection
- Closed cell insulation inside
- Insulation thickness: 6 mm

Accessories

- Circular volume control damper, type **CRC**

Order example

- **RER-LB ISO, 200 + CRC 160**

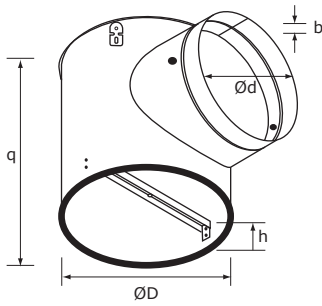
Explanation

RER-LB ISO = Plenum box type, insulated

200 = Size according to diffuser (Ø diffuser neck connection)

Accessory

CRC 160 = Volume control damper for plenumbox connection Ø160



RER-LB ISO	Dimensions				
	ØD [mm]	q [mm]	Ød [mm]	b [mm]	h [mm]
100	111	148	80	15	65
125	136	168	100	15	65
160	171	193	125	15	65
200	211	228	160	15	65
250	261	268	200	15	65
315	326	318	250	15	65
355	366	318	250	15	65
400	411	383	315	15	65
500	511	383	315	15	65