

- Plenum boxes
- Circular
- Steel



Circular plenum box type RER-B

Universal circular plenum boxes with perforated plate in galvanized steel

Brand

- Cairox

Composition

- Circular body in plain steel plate
- Crossbar for central mounting with M6 screw of diffuser
- Perforated equalizing plate for equal air diffusion inside the box
- Circular connection spigot
- Seal for airtight connection with the diffuser

Accessories

- Circular valve control damper, type **CRC**

Order example

- **RER-B 600 + CRC 250**

Explanation

RER-B = Plenum box type

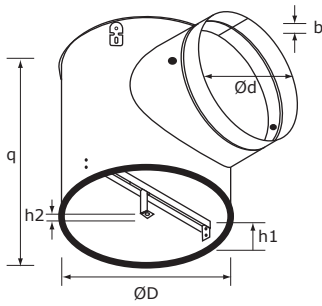
600 = Size type

Accessory

CRC 250 = Regulating valve for plenum box connection Ø250

Other available products

- Insulated plenumboxes type **RER-B ISO**



RER-B	Dimensions					
	ØD [mm]	q [mm]	Ød [mm]	b [mm]	h_1 [mm]	h_2 [mm]
300	275	230	160	15	65	10
400	375	270	200	15	65	10
500	476	270	200	15	65	10
600	576	320	250	15	65	10