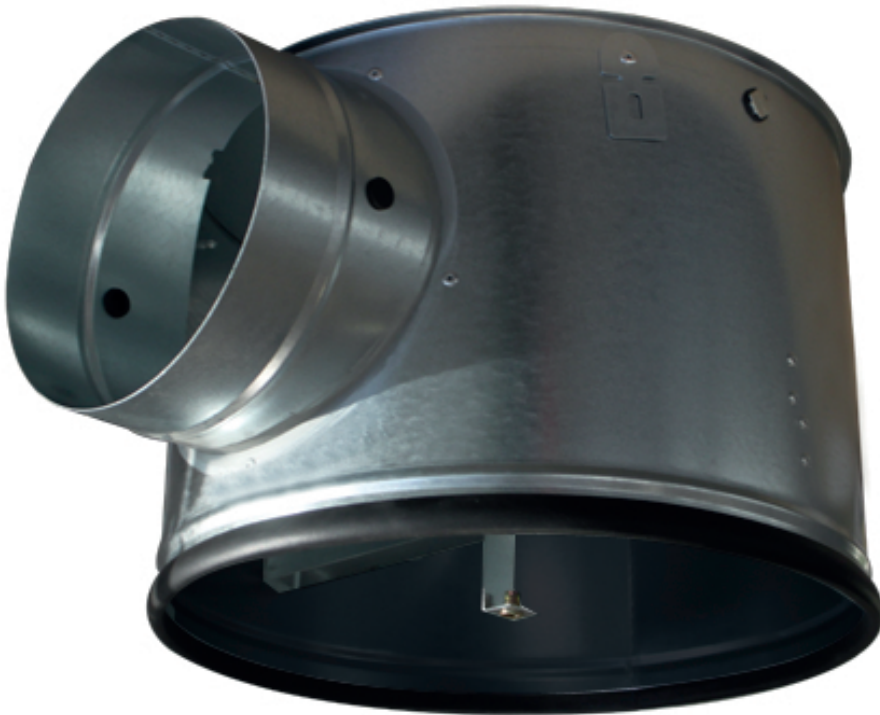


- Plenum boxes
- Circular
- Steel



Insulated circular plenumbox type RER-B ISO

Universal internally insulated circular plenum boxes with perforated plate in galvanized steel

Brand

- Cairox

Composition

- Circular body in plain steel plate
- Crossbar for central mounting with M6 screw of diffuser
- Perforated equalizing plate inside the box
- Circular connection spigot
- Seal for airtight connection with the diffuser
- Internally insulated with closed cell insulation
- Insulation thickness: 6 mm

Accessories

- Circular volume control damper , type **CRC**

Order example

- **RER-B ISO 600 + CRC 250**

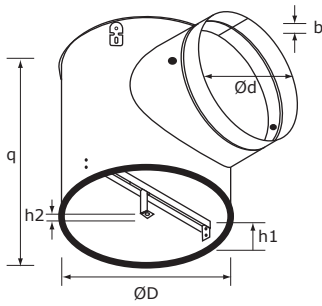
Explanation

RER-B ISO = Plenum type, insulated

600 = Size type

Accessory

CRC 250 = Volume control damper for plenumbox connection Ø250



RER-B ISO	Dimensions					
	ØD [mm]	q [mm]	Ød [mm]	b [mm]	h1 [mm]	h2 [mm]
300	275	230	160	15	65	10
400	375	270	200	15	65	10
500	476	270	200	15	65	10
600	576	320	250	15	65	10