

**JET-GD  
(RAL9016)**

- JET nozzles
- Circular
- Aluminium
- White, RAL 9016

**CAIROX**

## White design JET nozzle type JET-GD (RAL9016)

Manually adjustable JET design nozzles  
Finished in white RAL 9016

**Brand**

- Cairox

**Application**

- JET nozzles are used for hot or cold air supply in ventilation and air conditioning systems where a long throw, high induction and low sound levels are required.
- The nozzles are manually adjustable to be set for cooling or heating purposes

**Material**

- Aluminium

**Colour**

- Standard colour white RAL 9016

**Composition**

- The nozzle can be adjusted manually to direct the air flow over 30° in all directions.

**Mounting**

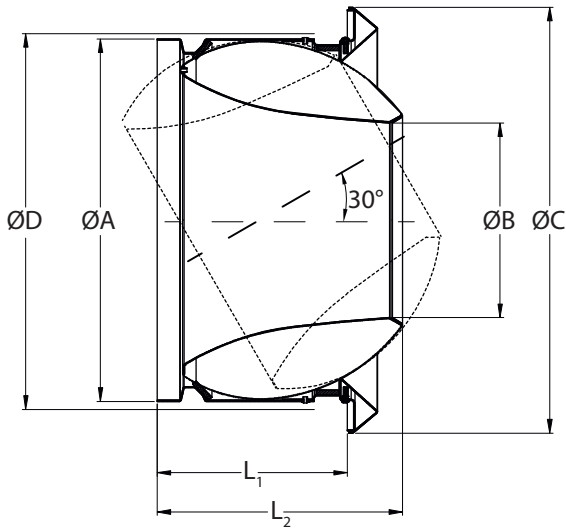
- Wall or rectangular duct mounting
- Cover flange to conceal mounting screws, removable by quarter turn.
- Mounting on the side of round ducts by means of a pipe branch and connection type **ARG** and **MDV**, or directly into the round duct

**Text for tender**

- The air supply diffusers are of the JET type for long throw application. They are made aluminium finished white RAL 9016.
- **Cairox** type **JET-GD**

**Order example**■ **JET-GD, 315**

Explanation

**JET-GD** = Diffuser type**315** = Connection diameter

JET-GD	Dimensions					
	ØD [mm]	ØA [mm]	ØB [mm]	ØC [mm]	L1 [mm]	L2 [mm]
125	125	123	61	170	70	100
150	150	148	75	200	85	113
160	160	158	80	200	85	115
200	200	197	105	266	109	143
250	250	248	128	315	135	180
315	315	313	165	395	173	230
400	400	398	210	495	217	285

Quick selection								
JET-GD(A)		125/60	150/75	160/80	200/105	250/128	315/165	400/210
Q	Ak	0.0028	0.0044	0.005	0.0087	0.0129	0.0214	0.0346
75	Vk	7.4	4.7	4.2				
	X0,25	16.3	14.5	14.1				
	Ps	35	14	11				
	Lw(A)	<20	<20	<20				
100	Vk	9.9	6.3	5.6	3.2			
	X0,25	19	17.4	16.9	13.7			
	Ps	62	25	20	7			
	Lw(A)	<20	<20	<20	<20			
150	Vk		9.5	8.3	4.8	3.2		
	X0,25		21.4	20.7	17.5	14.9		
	Ps		57	44	15	7		
	Lw(A)		21	<20	<20	<20		
200	Vk		12.6	11.1	6.4	4.3		
	X0,25		24.1	23.5	20.3	17.6		
	Ps		100	78	26	12		
	Lw(A)		28	26	<20	<20		
300	Vk				9.6	6.5	3.9	
	X0,25				24.1	21.4	18.2	
	Ps				58	27	10	
	Lw(A)				26	<20	<20	
400	Vk				12.8	8.6	5.2	3.2
	X0,25				26.8	23.9	20.7	19
	Ps				103	47	17	7
	Lw(A)				33	25	<20	<20
500	Vk					10.8	6.5	4
	X0,25					26	22.6	21
	Ps					74	27	10
	Lw(A)					31	<20	<20
600	Vk					12.9	7.8	4.8
	X0,25					27.6	24.2	22.6
	Ps					105	39	15
	Lw(A)					35	20	<20
700	Vk						9.1	5.6
	X0,25						25.6	24
	Ps						53	20
	Lw(A)						24	<20
800	Vk						10.4	6.4
	X0,25						26.8	25.2
	Ps						68	26
	Lw(A)						28	<20
1000	Vk						13	8
	X0,25						28.7	27.2
	Ps						107	41
	Lw(A)						34	23
1200	Vk							9.6
	X0,25							28.9
	Ps							58
	Lw(A)							29
1400	Vk							11.2
	X0,25							30.3
	Ps							79
	Lw(A)							33
1500	Vk							12
	X0,25							30.9
	Ps							91
	Lw(A)							36

### Symbols and specifications

- Q = Air volume in m<sup>3</sup>/h
  - Ak = Effective surface (free area) in m<sup>2</sup>
  - Vk = Average effective velocity through the grill in m/s
  - X0.25 = Horizontal throw in m at an endvelocity Vt of 0.25 m/s
  - Ps = Static pressure loss given in Pa
  - Lw(A) = Acoustic power in dB(A)
- The throw X0.25 is given without deflection of the airstream at an end velocity of 0.25m/s. The distances are given without coanda effect.
  - The values are given for isothermal supply air. Throw distances for cooling conditions at -11K can be calculated by deviding the X0.25 values with factor 1.1. For heating purposes at Dt of +11K a multiplier of 1.1 should be applied to the given X0.25 value.
  - The acoustic power Lw(A) are given for grilles without room attenuation. Acoustic powers below 20dB(A) are mentioned as "<20" in the tables.
  - For special requirements, please contact our engineering office.

## Placement instruction

