

## Insulated plenum boxes for ASR type PRI-ASR

Insulated plenum boxes in galvanized steel for ASR slot diffusers.  
The plenumboxes have been developed to mount individually or in line. When  
mounted in-line the sides can partially be removed to keep length consistency.

### Brand

- Cairox

### Order example

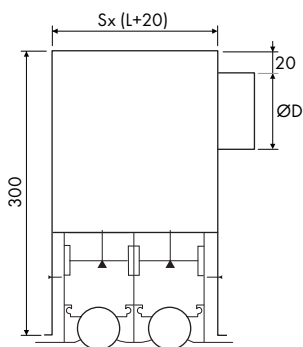
#### ■ PRI-ASR 2 1500

Explanation

**PRI-ASR** = Insulated plenum box

**2** = Quantity of slots according to diffuser

**1500** = Length according to diffuser



Dimensions					
	L [mm]	ØD [mm]	A [mm]	B [mm]	S [mm]
PR-ASR 1	800	1 x 100	39	56	43
	1000	1 x 100			
	1500	2 x 100			
	2000	3 x 100			
PR-ASR 2	800	1 x 150	77	94	81
	1000	2 x 150			
	1500	3 x 150			
	2000	4 x 150			
PR-ASR 3	800	1 x 200	115	132	119
	1000	2 x 200			
	1500	3 x 200			
	2000	4 x 200			
PR-ASR 4	800	2 x 200	153	170	157
	1000	2 x 200			
	1500	3 x 200			
	2000	4 x 200			