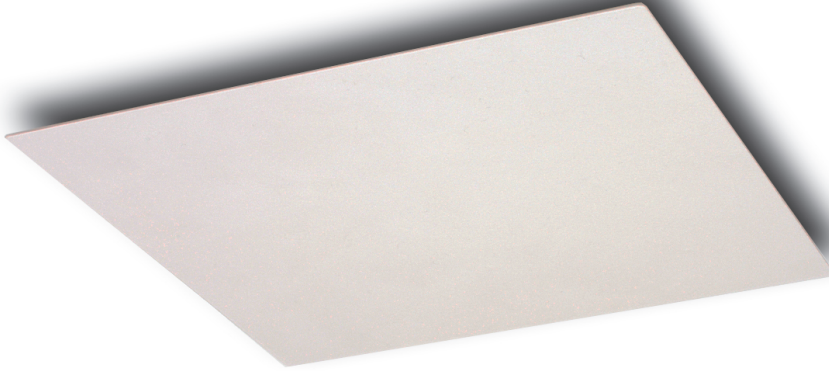


- Air valves
- Steel
- White, RAL 9016
- Pulsion | Extraction



## Square flat air supply valves type SVP (RAL9016)

Square flat air supply valves for domestic ventilation

### Application

- For air supply (and exhaust) in ventilation systems

### Material

- Steel

### Colour

- Standard colour white, RAL 9016

### Composition

- Removable flat air supply plate with countercone size 225 x 225 mm
- Galvanized steel mounting frame with opening diameter 125 or 160 mm

### Mounting

- Mountingframe to be mounted under ceiling surface with screws
- Air supply plate to be pressed on galvanized steel mountingframe

### Accessories

- **SVP-DB**: Regulating damper voor SVP
- **SVP-FH**: Filterframe for SVP with filter included
- **SVP-F**: Spare filter for SVP-FH

### Order example

- **SVP, 125**

Explanation

**SVP** = Type valve (incl. mountingframe)

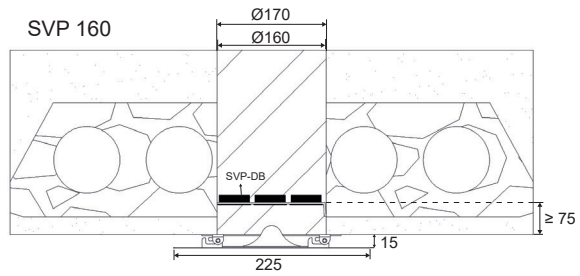
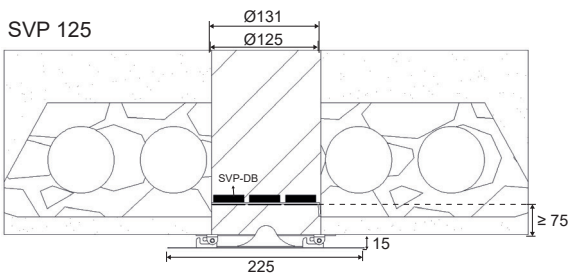
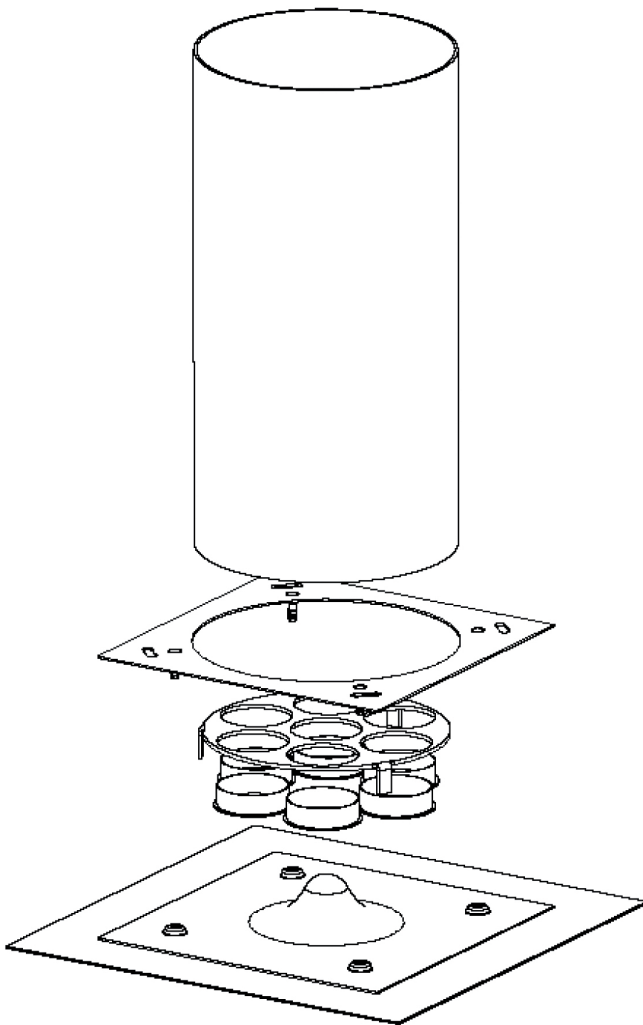
**125** = Connection diameter

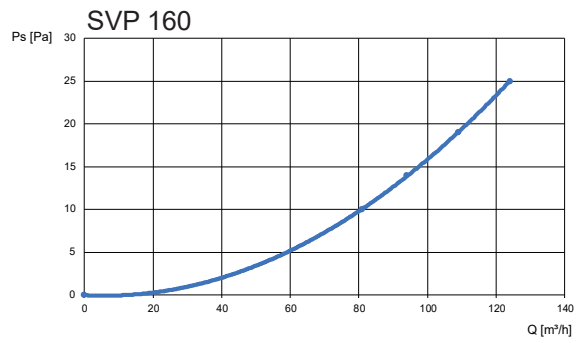
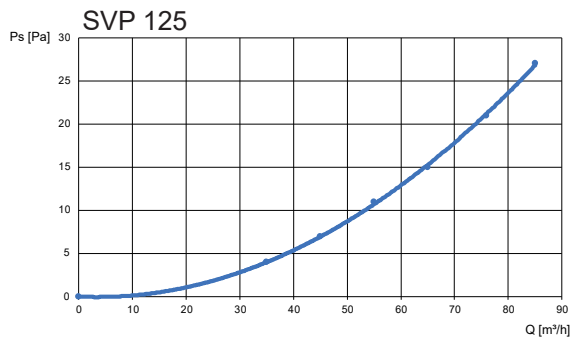
### Text for tender

- The air supply valves shall made of a flat quare steel plate with counter-cone. They shall be supplied with mounting frame
- White finish RAL 9016
- **Cairox** type **SVP**

	Quick selection					
	SVP 125			SVP 160		
	Q [m <sup>3</sup> /h]	dP [Pa]	LwA [dB(A)]	Q [m <sup>3</sup> /h]	dP [Pa]	LwA [dB(A)]
Debietregelaar "0" Régulateur de débit "0"	35	4	<19,0	81	10	<25,0
	45	7	<21,0	94	14	<29,0
	55	11	<25,0	109	19	33
	65	15	29,5			
	76	21	33,5			
Debietregelaar "3" Régulateur de débit "3"	35	6	<19,5	81	13	<28,0
	45	11	<24,0	96	19	32,5
	55	17	29,5	111	26	37
	65	24	34			

### Mounting instruction



**Pressure loss****Symbols and specifications**

- Q = Air volume in m<sup>3</sup>/h
- Ps = Static pressure loss in Pa