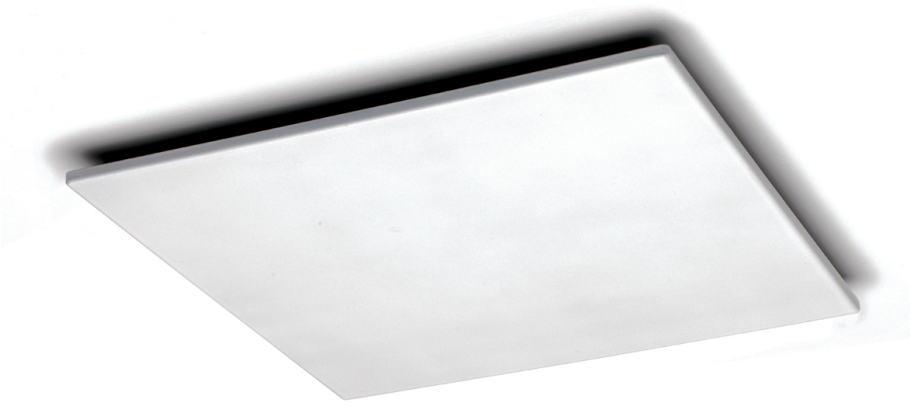


- Air valves
- Steel
- White, RAL 9016
- Extraction



Square flat air exhaust valves type EVP (RAL9016)

Square flat air exhaust valves for domestic ventilation

Brand

- Cairox

Application

- For air exhaust in ventilation systems

Material

- Steel

Colour

- Standard colour white, RAL 9016

Composition

- Removable flat plate of dimension 225 x 225 mm
- Galvanized steel mounting frame with opening diameter 125 or 160 mm

Mounting

- Mountingframe to be mounted under ceiling surface with screws
- Air exhaust plate to be pressed on galvanized steel mountingframe

Accessories

- **SVP-DB**: Regulating damper
- **SVP-FH**: Filterframe with filter included
- **SVP-F**: Spare filter for SVP-FH

Order example

- **EVP, 125**

Explanation

EVP = Type valve (incl. mountingframe)

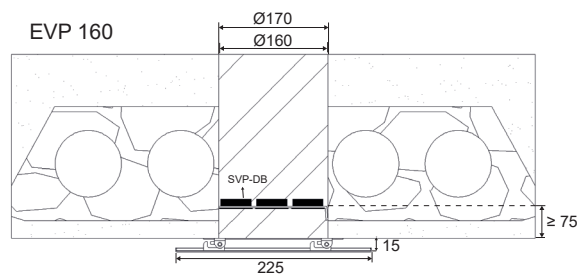
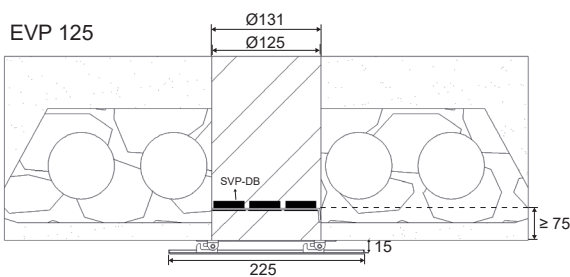
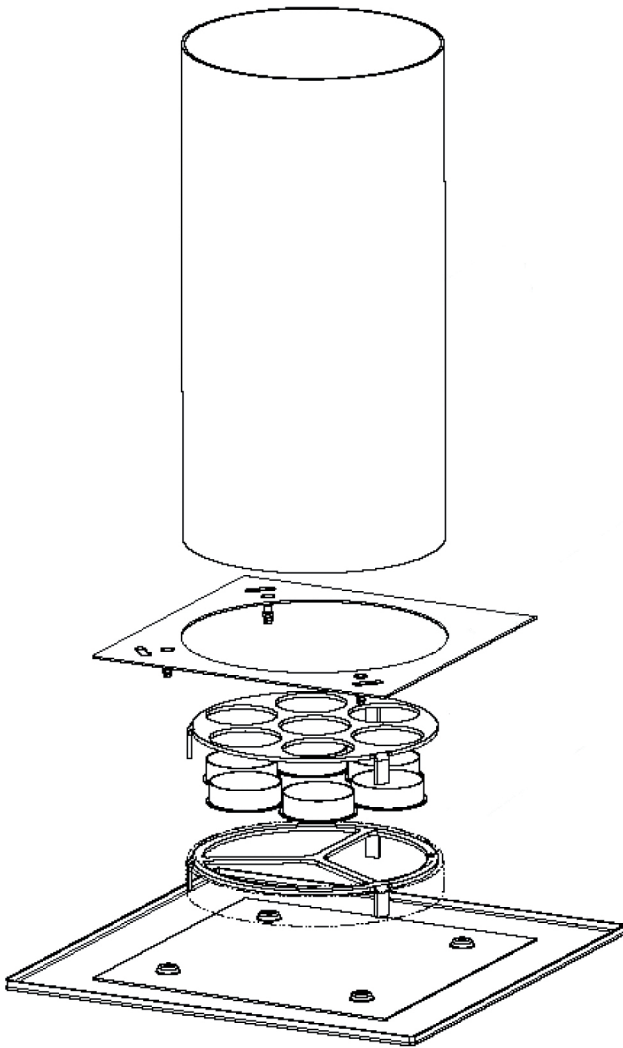
125 = Connection diameter

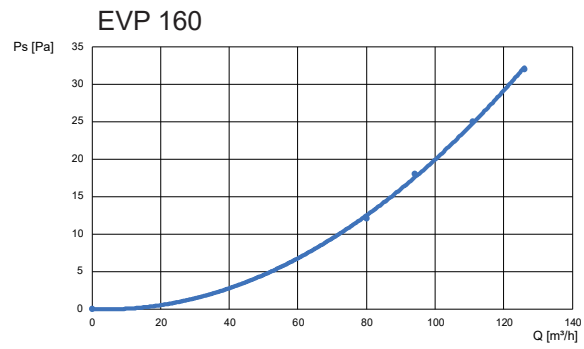
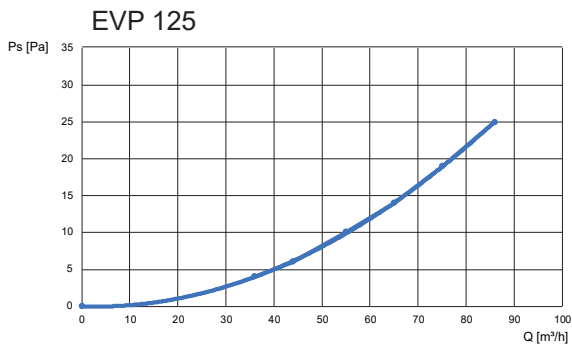
Text for tender

- The air exhaust valves shall be made of a steel square plate. They shall be supplied with mounting frame
- White finish RAL 9016
- **Cairox** type **EVP**

	Quick selection					
	EVP 125			EVP 160		
	Q [m ³ /h]	dP [Pa]	LwA [dB(A)]	Q [m ³ /h]	ΔP [Pa]	LwA [dB(A)]
Debietregelaar "0" Régulateur de débit "0"	36	4	<20,0	80	12	<25,0
	44	6	<20,5	94	18	<28,5
	55	10	<22,0	111	25	32
	65	14	<24,0	126	32	35,5
	75	19	<27,0			
Debietregelaar "3" Régulateur de débit "3"	36	6	<21,0	80	16	<26,0
	46	11	<22,5	96	22	30,5
	55	15	<26,0	110	30	34,5
	65	23	31,5			
	74	30	35			
Debietregelaar "6" Régulateur de débit "6"				80	27	32
				95	39	37

Mounting instruction



Pressure loss**Symbols and specifications**

- Q = Air volume in m³/h
- Ps = Static pressure loss in Pa