

- Air valves
- Polystyrene
- White
- Pulsion | Extraction



Adjustable plastic valves type BOREA

Adjustable valve in plastic for air intake or exhaust in residential and non-residential premises. The grids are designed for placement in both wall and ceiling. Air pattern can be adjusted through removable deflectors. The **BOREA** ventilation valves can also be combined with **KVR-R** constant volume regulators.

Brand

- Cairox

Application

- Wall or ceiling mounted valves for air supply and exhaust inside buildings.

Material

- White polystyrene
- Joint en EPDM

Colour

- Standard colour white

Composition

- Body and adjustable valve made of white polypropylene
- Removable deflector
- Sealing in EPDM

Mounting

- To be mounted inside duct, wall or ceiling mounted
- To be combined with **KVR-R** constant volume regulators (see drawing)

Accessories

- **KVR-R** air flow regulator

Order example

- **BOREA, 125**

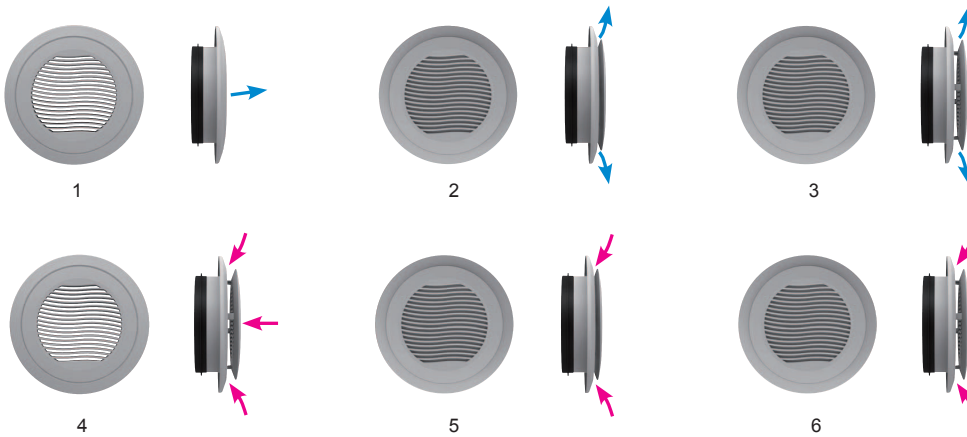
Explanation

BOREA = Type valve

125 = Connection diameter

Text for tender

- The air supply and exhaust valves shall be adjustable and made of white polystyrene. They are equipped with an airtight seal to prevent air leakage. The air passage can be modified and set to different positions and volumes.
- **Cairox type BOREA**

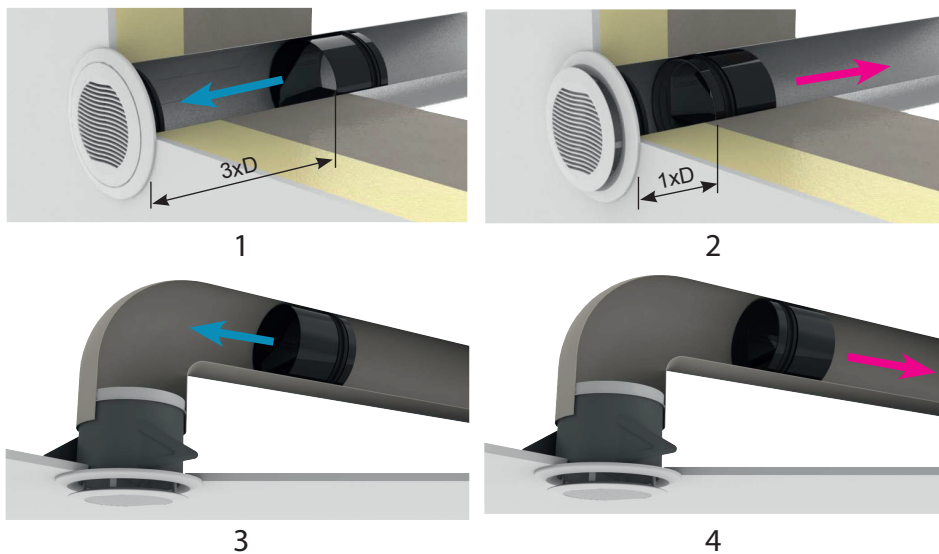


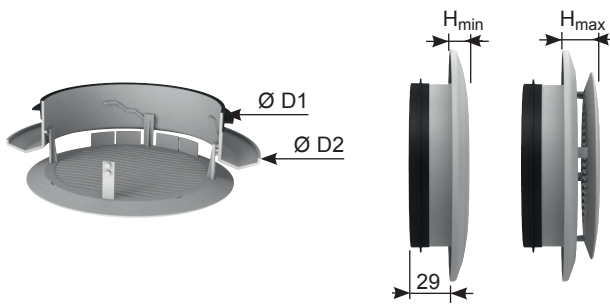
		SUPPLY										Exhaust			
BOREA	Q [m³/h]	without deflector				with deflector				Grille open, innergrille open		Grille closed, innergrille open			
		Grille open, innergrille closed		Grille closed, innergrille open		Grille closed, innergrille open		Grille closed, innergrille open		Grille open, innergrille open		Grille closed, innergrille open		Grille closed, innergrille open	
		Pt [Pa]	Lw(A)[dB(A)]	Position 1	Position 2	Position 1	Position 2	Position 1	Position 2	Position 2	Position 2	Position 1	Position 2	Position 1	Position 2
		Pt [Pa]	Lw(A)[dB(A)]	Pt [Pa]	Lw(A)[dB(A)]	Pt [Pa]	Lw(A)[dB(A)]	Pt [Pa]	Lw(A)[dB(A)]	Pt [Pa]	Lw(A)[dB(A)]	Pt [Pa]	Lw(A)[dB(A)]	Pt [Pa]	Lw(A)[dB(A)]
80	15	8	<20	10	<20	3	<20	5	<20	2	<20	10	<20	4	<20
	30	33	21	34	33	14	21	18	24	7	<20	36	35	14	22
	45	70	34	-	-	30	31	37	36	15	28	-	-	29	34
	45	9	<20	18	26	7	<20	13	22	3	<20	20	23	7	<20
125	60	17	<20	30	31	13	21	20	27	5	<20	37	33	13	21
	75	25	24	40	35	18	24	31	32	8	<20	57	41	20	25
	90	36	31	56	39	25	28	43	36	11	20	80	46	27	29
	120	62	43	-	-	40	36	70	43	19	28	-	-	48	36
	150	-	-	-	-	62	41	-	-	28	34	-	-	74	43

Symbols and specifications

- Q = Air volume in supply or exhaust in m³/h
- Pt = Total pressure loss in Pa
- Lw(A) = Sound power in dB(A)

Mounting with KVR-R





BOREA	Dimensions			
	Ø D1 [mm]	Ø D2 [mm]	Hmin [mm]	Hmax [mm]
80	74	110	9	20
125	119	165	12	24