

- Built-in
- Circular
- Stainless steel
- Brushed stainless steel natural finish



Stainless steel external louvres type BLR-E-RL

Circular fresh air intake or exhaust grilles made of stainless steel with bird mesh

Brand

- Cairox

Application

- For air intake or exhaust in ventilation systems

Material

- Stainless steel

Colour

- Brushed stainless steel natural finish

Composition

- Housing and bird mesh made of stainless steel
- With duct connection flange
- Mounting screws and drip nose included

Mounting

- Fitted into round ducts or round wall openings

Text for tender

- The stainless steel air louvres shall be of the circular type for built-in mounting.
- Brushed stainless steel natural finish with bird mesh
- ATC type **BLR-E-RL**

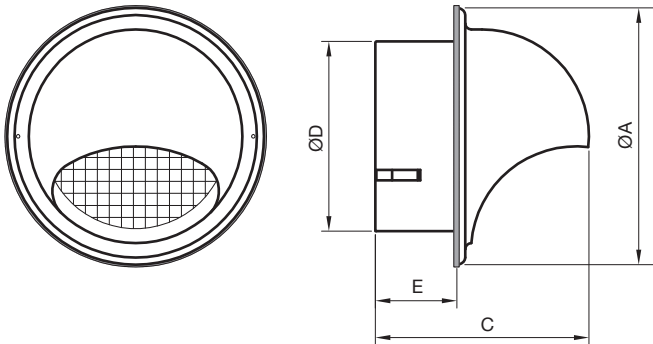
Order example

- **BLR-E-RL, 125**

Explanation

BLR-E-RL = Type grill

125 = Connection diameter



	Dimensions			
	ØD [mm]	ØA [mm]	E [mm]	C [mm]
BLR-E-RL 100	95	150	42	125
BLR-E-RL 125	120	190	48	145
BLR-E-RL 150	145	210	55	165
BLR-E-RL 160	155	210	55	165
BLR-E-RL 180	178	270	60	205
BLR-E-RL 200	198	270	60	205

Symbols and specifications

- Q = Air volume in m³/h
- Ps = Static pressure loss in Pa
- Type = Connection diameter in mm

Selection graph

