

**BLR-K25
(RAL9016)**

- Built-in
- Circular
- Steel
- White, RAL 9016



Round steel louvres type BLR-K25 (RAL9016)

Circular louvres made of steel in white finish RAL 9016.

Brand

- Cairox

Application

- For fresh air intake or exhaust ventilation systems

Material

- Steel

Colour

- Standard colour white, RAL 9016
- Other colours available upon request

Composition

- Steel frame in white finish
- Fixing with screws through the frame (not included) or with polymeric glue
- The weather resistant blades have a blade pitch of 25 mm
- Insect screen at the back of the grille

Mounting

- Build-in mounting by screws through the frame or with glue

Text for tender

- The external air louvres shall be of the circular type, made of steel with white finish, RAL 9016
- Cairox Type **BLR-K25**

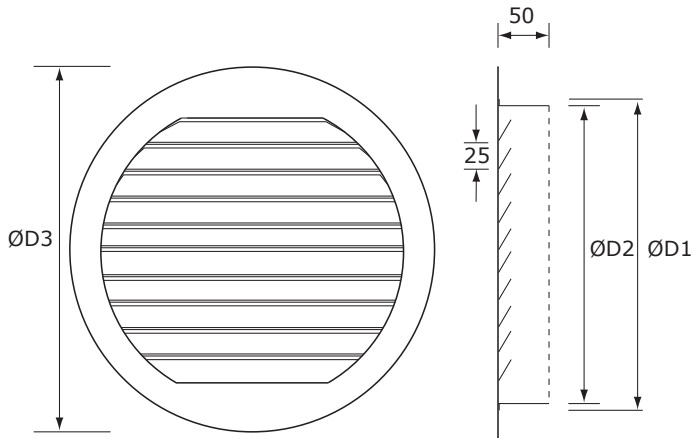
Order example

- **BLR-K25, 400**

Explanation

BLR-K25 = Type grill

400 = Connection diameter



Dimensions			
BLR-K25	D1 [mm]	D2 [mm]	D3 [mm]
160	160	140	190
200	200	180	240
250	250	230	290
315	315	295	355
355	355	335	395
400	400	380	440
450	450	430	490
500	500	480	540
630	630	610	670
710	710	690	750
800	800	780	840
1000	1000	980	1040
1250	1250	1230	1290

Quick selection														
BLR-K25	160	200	250	315	355	400	450	500	630	710	800	1000	1250	
Q	Ak	0.010	0.018	0.029	0.047	0.062	0.079	0.102	0.125	0.204	0.259	0.329	0.514	0.803
75	Vk	2.1	1.2											
	Ps	24	8											
	Lw(A)	20	6											
125	Vk	3.5	1.9	1.2										
	Ps	66	20	8										
	Lw(A)	35	19	10										
200	Vk		3.1	1.9	1.2									
	Ps		52	20	8									
	Lw(A)		34	23	11									
300	Vk			2.9	1.8	1.3	1.1							
	Ps			46	18	9	7							
	Lw(A)			35	23	15	11							
500	Vk				3	2.2	1.8	1.4	1.1					
	Ps				49	26	18	11	7					
	Lw(A)				38	31	26	20	14					
600	Vk				3.5	2.7	2.1	1.6	1.3					
	Ps				66	39	24	14	9					
	Lw(A)				42	37	31	24	19					
800	Vk					3.6	2.8	2.2	1.8	1.1				
	Ps					70	42	26	18	7				
	Lw(A)					45	39	34	29	16				
1000	Vk						3.5	2.7	2.2	1.4	1.1			
	Ps						66	39	26	11	7			
	Lw(A)						46	40	35	24	18			
1500	Vk							3.3	2	1.6	1.3			
	Ps							59	22	14	9			
	Lw(A)							47	35	30	25			
2000	Vk								2.7	2.1	1.7	1.1		
	Ps								39	24	16	7		
	Lw(A)								44	38	34	22		
2400	Vk									3.3	2.6	2	1.3	
	Ps									59	37	22	9	
	Lw(A)									50	45	39	27	
3000	Vk										3.2	2.5	1.6	1
	Ps										55	34	14	5
	Lw(A)										51	46	34	21
4000	Vk											3.4	2.2	1.4
	Ps											62	26	11
	Lw(A)											55	44	32
6000	Vk												3.2	2.1
	Ps												55	24
	Lw(A)												55	44
8000	Vk													2.8
	Ps													42
	Lw(A)													53

Symbols and specifications

- Ps = Static pressure loss in Pa
- Q = Air Volume in m³/h
- Vk = Effective air velocity true the grille in m/s
- Ak = Effective area in m²
- Lw(A) = Acoustic power in dB(A)

Selection graph

