

- Built-in
- Rectangular
- Aluminium
- Anodized natural finish



Aluminium louvres for electrical cabinet type BLR-E 1

Aluminium rectangular louvres with V-shaped blades with physical free area of 39%. Louvres especially designed for low- and high-voltage cabinet. Louvres equipped with ground-connection

Brand

- Cairox

Application

- For fresh air intake or exhaust, wall mounted
- For low- and high-voltage and IT-cabinets

Material

- Aluminium

Colour

- Anodized natural finish
- Powder coated in RAL-color upon request

Composition

- Frame and blades of aluminium
- Insectwire 6 X 6 mm fitted behind the louvre
- The weather resistant blades have a blade pitch of 20 mm.
- Can also be produced in outer standard dimension
- IP class: IP2XD

Mounting

- To be mounted by means of mounting brackets

Accessories

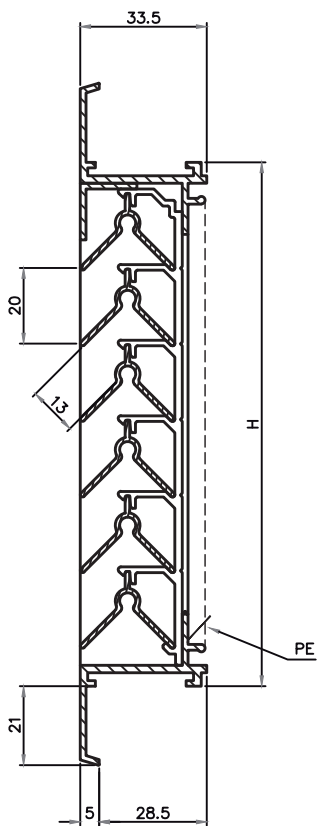
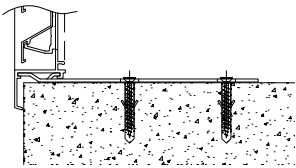
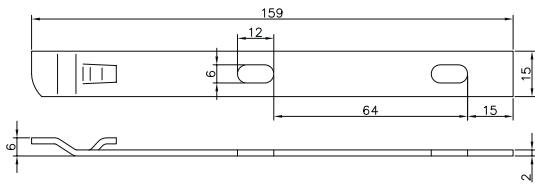
- Mounting brackets (included)

Text for tender

- The air intake or exhaust grilles shall have weather resistant V-shaped blades with blade pitch of 20mm. They shall be made of anodized aluminium in natural colour in all possible dimensions
- ATC Type **BLR-E 1**

Order example■ **BLR-E 1, 600, 400**

Explanation

BLR-E-1 = Type grill**600** = Length grill**400** = Height grill

Quick selection						
Qv	Type	200x200	300x300	400x300	500x300	600x400
50	Ak	0.0156	0.0351	0.0468	0.0585	0.0936
	Vk	0.89				
	Ps	2.40				
100	Lw(A)	0				
	Vk	1.78	0.79			
	Ps	10.10	1.90			
200	Lw(A)	17	0			
	Vk	3.56	1.58	1.19		
	Ps	39.10	7.70	4.30		
400	Lw(A)	38	17	9		
	Vk		3.17	2.37	1.90	
	Ps		30.90	17.40	11.10	
600	Lw(A)		38	30	25	
	Vk			3.56	2.85	1.78
	Ps			39.10	25	9.80
800	Lw(A)			43	37	25
	Vk				3.80	2.37
	Ps				44.60	17.40
1000	Lw(A)				46	33
	Vk					2.97
	Ps					27.20
	Lw(A)					40

Symbols and specifications

- Ps = Static pressure loss in Pa
- Q = Air Volume in m³/h
- Type = Hole LXH in wall in mm
- Vk = Effective air velocity true the grille in m/s
- Ak = Effective area in m²
- Lw(A) = Acoustic power in dB(A)

