

- Wall mounting
- Rectangular
- Aluminium
- Anodized natural finish



Aluminium backdraught shutters type OKR

Aluminium pressure-relief shutters for surface mounting.

Brand

- Cairox

Application

- Shutters **OKR** are used for air exhaust in any type of installation. Fixing with invisible screws supplied with the shutter
- The blades will open when the shutter is exposed to overpressure. Pressure loss of 20 Pa for air speed of 2 m/s, 25 Pa for air speed of 3 m/s, and 30 Pa for airspeed of 4 m/s

Material

- Aluminium

Composition

- Frame and blades made of anodized aluminium

Colour

- Anodized natural finish

Mounting

- Surface mounted by invisible screws behind the movable blades

Accessories

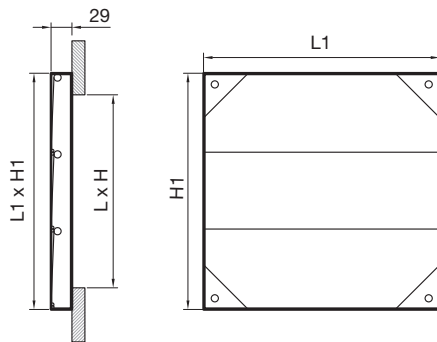
- Screws (included)

Text for tender

- The air exhaust shall be effectuated through aluminium pressure-relief shutters, surface mounted with blades opening at a pressure of 5 Pa for air speed of 2m/s, 8 Pa for air speed of 3m/s, and 12 Pa for airspeed of 4m/s
- Anodized aluminium finish
- **CAIROX** Type **OKR**

Order example■ **OKR, 173 X 173**

Explanation

OKR = Type grill**173 X 173** = Exterior size grill

Dimensions		
	LXH [mm]	L1 X H1 [mm]
OKR 173	116x116	173x173
OKR 210	150x150	210x210
OKR 246	180x180	246x246
OKR 328	268x268	328x328
OKR 428	368x368	428x428
OKR 528	468x468	528x528