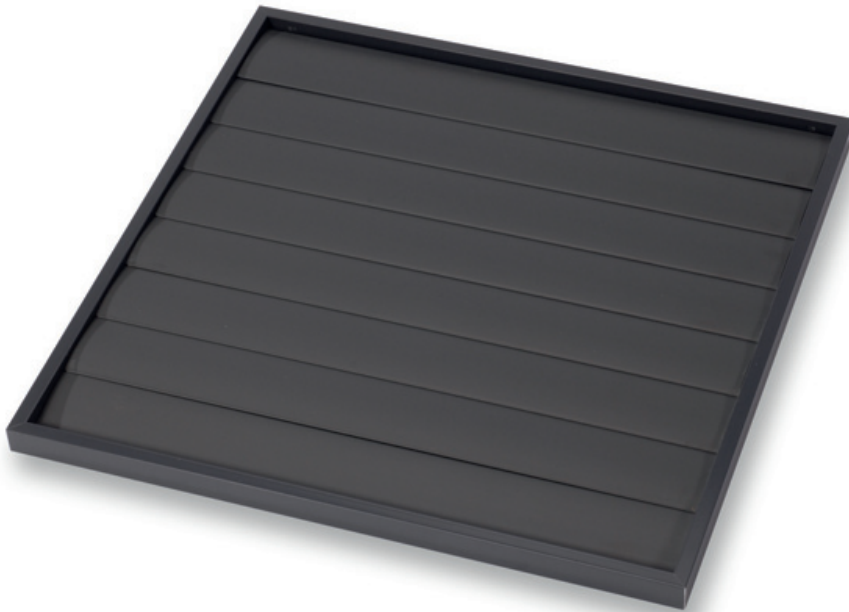


- Wall mounting
- Rectangular
- Aluminium and PVC
- Grey, RAL 7015



PVC backdraught shutters type VK

Backdraught shutters for surface mounting with aluminium frame and PVC blades

Brand

- Cairox

Application

- For air exhaust in any type of installation.
- The blades will open when the shutter is exposed to overpressure. Pressure loss of 20 Pa for air speed of 2 m/s, 25 Pa for air speed of 3 m/s, and 30 Pa for airspeed of 4 m/s

Material

- Aluminium and PVC combination

Composition

- Solid frame made of aluminium, finished grey, RAL7016
- Grey PVC blades
- Up to 590 x 590 made out of 1 frame and simple blades
- From size 670 x 670 is reinforced with a central fixing bar and double row of blades

Colour

- Grey, RAL 7016

Mounting

- Mounted by invisible screws behind the blades

Text for tender

- The air exhaust shall be effectuated through backdraught shutters, surface mounted with PVC blades and solid aluminium frame. The blades will open at a pressure of 20 Pa for air speed of 2m/s, 25 Pa for air speed of 3m/s, and 30 Pa for airspeed of 4m/s
- Finish RAL 7016
- CAIROX Type **VK**

Order example

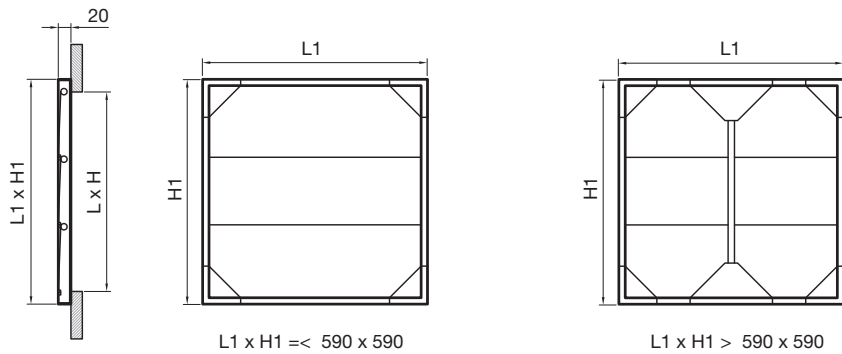
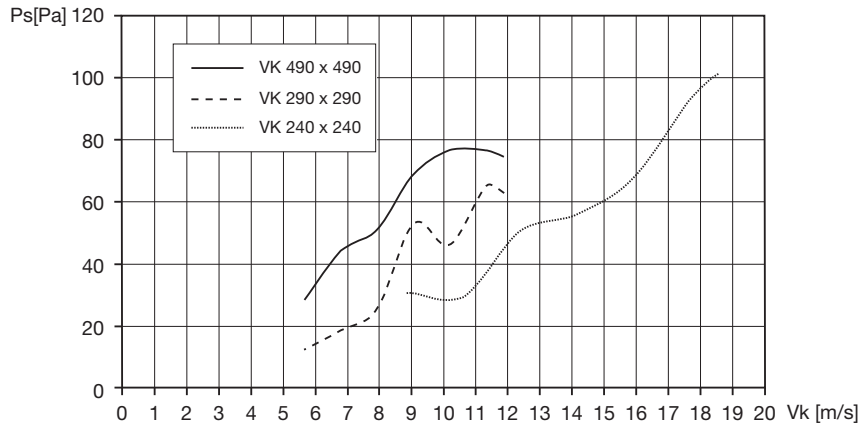
■ VK, 240 X 240

Explanation

VK = Type grill

240 X 240 = Exterior size grill

Pressure loss diagram



	Dimensions	
	LXH [mm]	L1 X H1 [mm]
VK 170	100x100	170x170
VK 200	160x160	200x200
VK 240	200x200	240x240
VK 290	250x250	290x290
VK 355	300x300	355x355
VK 390	350x350	390x390
VK 440	400x400	440x440
VK 490	450x450	490x490
VK 540	500x500	540x540
VK 590	550x550	590x590
VK 670	630x630	670x670
VK 750	710x710	750x750
VK 840	800x800	840x840
VK 940	900x900	940x940
VK 1040	1000x1000	1040x1040