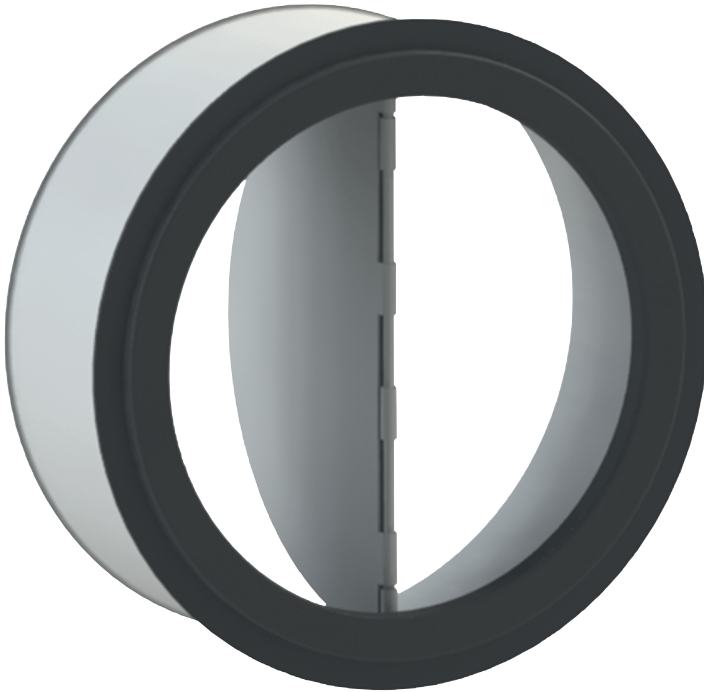


- Duct mounting
- Circular
- Steel and aluminium
- Galvanized natural finish



Duct backdraught shutters type OKA-B

Circular backdraught shutters with aluminium blades and airtight strip for mounting inside the duct. The shutter will open when blades are exposed to overpressure and will shut again when pressure falls away thanks to a stainless steel mechanical spring.

Brand

- Cairox

Application

- For airflow control in ventilation systems.
- The blades will open when blades are exposed to overpressure and will shut again when pressure falls away thanks to a stainless steel mechanical spring
- Temperature usage up to 50°C

Composition

- Body and blades made of aluminium
- Built-in mounting

Mounting

- The shutter is to be installed in horizontal position. The shaft axis must be vertically positioned. The shutter must be inserted fully into the duct.

Text for tender

- Backdraught shutters shall be installed to prevent backdraught when the fan stops
- CAIROX Type **OKA-B**

Order example

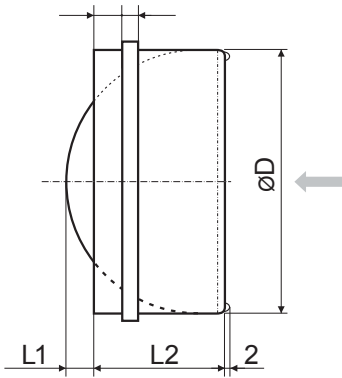
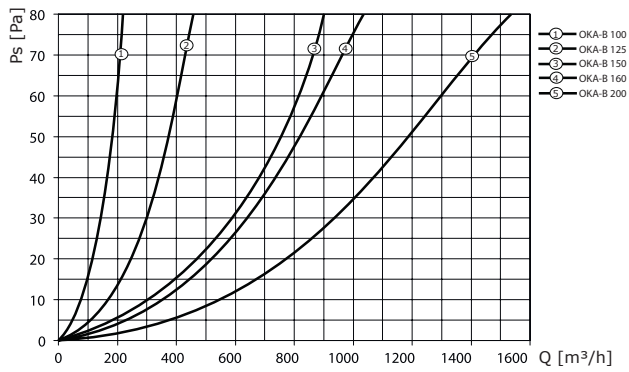
- **OKA-B, 200**

Explanation

OKA-B = Type backdraught damper

200 = Connection diameter

Pressure loss diagram



Dimensions	
	ØD [mm]
OKA-B 100	96
OKA-B 125	121
OKA-B 150	146
OKA-B 160	155
OKA-B 200	195